



Super Recycler[®] Lawn Mower

Model No. 20055 - 270000001 and up.

Parts Catalog

Ordering Replacement Parts

To order replacement parts, please supply the part number, the quantity, and the description of each part desired.

Understanding Reference Numbers

Each identified part in an illustration has a reference number. The reference number for a part also appears in the parts list, along with other information about the part.

This catalog uses two special reference number formats, one to indicate parts in a service assembly and another to indicate the quantity of a given part in an illustration.

Service Assembly Reference Numbers

Parts in service assemblies have reference numbers in the form a:b. The a represents the reference number of the entire service assembly and the b represents a sequential number unique to each part within the service assembly.

For example, a wheel assembly might be identified by reference number 6, the tire by 6:1, the valve by 6:2, and the wheel by 6:3. When you order the assembly identified by reference number 6, you receive all parts identified by reference numbers 6:1, 6:2, and 6:3. However, you may also order any part individually. Reference numbers of this type appear in illustrations and in part lists.

Reference Numbers Indicating Quantity

In an illustration, if a reference number indicates more than one part, the reference number has the form nX y. The n represents the quantity of the part, the X is the multiplication symbol, and the y represents the reference number.

For example, in an illustration, the reference number 2X 37 means that two of the parts identified by reference number 37 are indicated.

Contents

Description	Page	Description	Page
Housing Assembly 3	Carburetor Assembly Briggs and Stratton 126T02-0206-E1 14
Housing Assembly No. 112-8862 4	Air Cleaner Assembly Briggs and Stratton 126T02-0206-E1 15
Height-of-Cut Assembly 5	Governor Assembly Briggs and Stratton 126T02-0206-E1 16
Transmission Assembly 6	Muffler and Fuel Tank Assembly Briggs and Stratton 126T02-0206-E1 17
Gear Case Assembly No. 108-8140 7	Blower Housing Assembly Briggs and Stratton 126T02-0206-E1 18
Engine Assembly 8	Starter Assembly Briggs and Stratton 126T02- 0206-E1 19
Handle Assembly 9	Gasket Kit Briggs and Stratton 126T02-0206- E1 20
Grass Bag Assembly 10	Carburetor Overhaul Kit Briggs and Stratton 126T02-0206-E1 21
Cylinder Assembly Briggs and Stratton 126T02-0206-E1 11	Attachments and Accessories List 22
Crankshaft Assembly Briggs and Stratton 126T02-0206-E1 12		
Crankcase Assembly Briggs and Stratton 126T02-0206-E1 13		

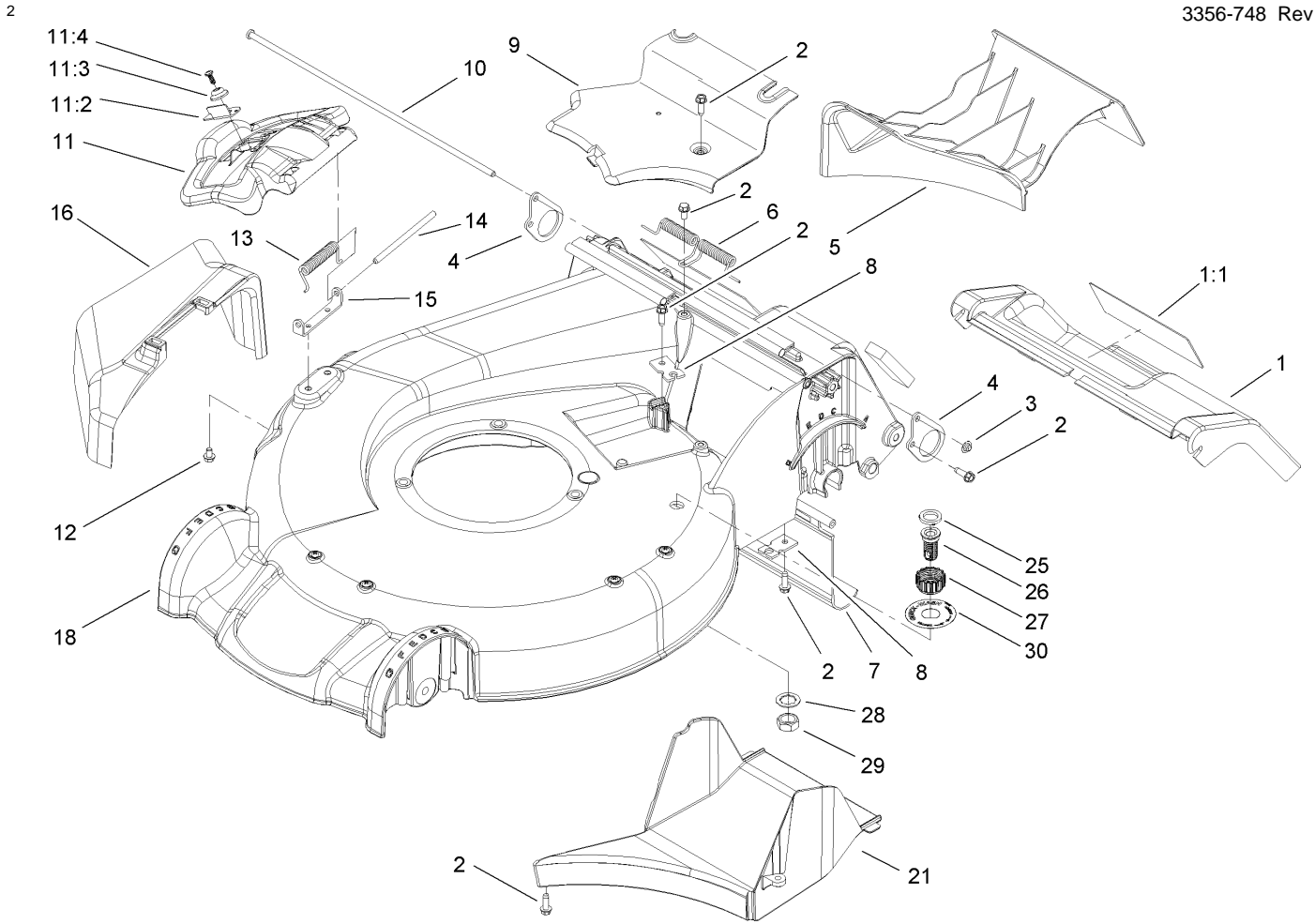
Part Description Abbreviations

Part descriptions in this catalog may include the following abbreviations.

AR. as required	HYD. hydraulic
ASM. assembly	LH. left hand
BBC. blade brake clutch	NI. nylon insert
CARR. carriage	NPTF. national pipe thread fine
DEG. degrees	PFH. phillips flat head
EXT. external	PPH. phillips pan head
FH. flat head	PPHTF. phillips pan head thread forming
GA. gauge	PRH. phillips round head
HD. heavy-duty	PTH. phillips truss head
HF. hex flange	PTO. power-take-off
HH. hex head	RH. right hand
HHF. hex head flange	ROPS. roll-over protection system
HHFTF. hex head flange thread forming	SFH. slotted fillister head
HJ. hex jam	SHH. slotted hex head
HLH. hex lag head	SHWH. slotted hex washer head
HOC. height-of-cut	SPH. slotted pan head
HSBH. hex socket button head	SQH. square head
HSFH. hex socket flat head	SRH. slotted round head
HSH. hex socket head	STD. standard
HWH. hex washer head	TAP. self tapping
HWHTF. hex washer head thread forming	TTH. torx truss head

Footnotes

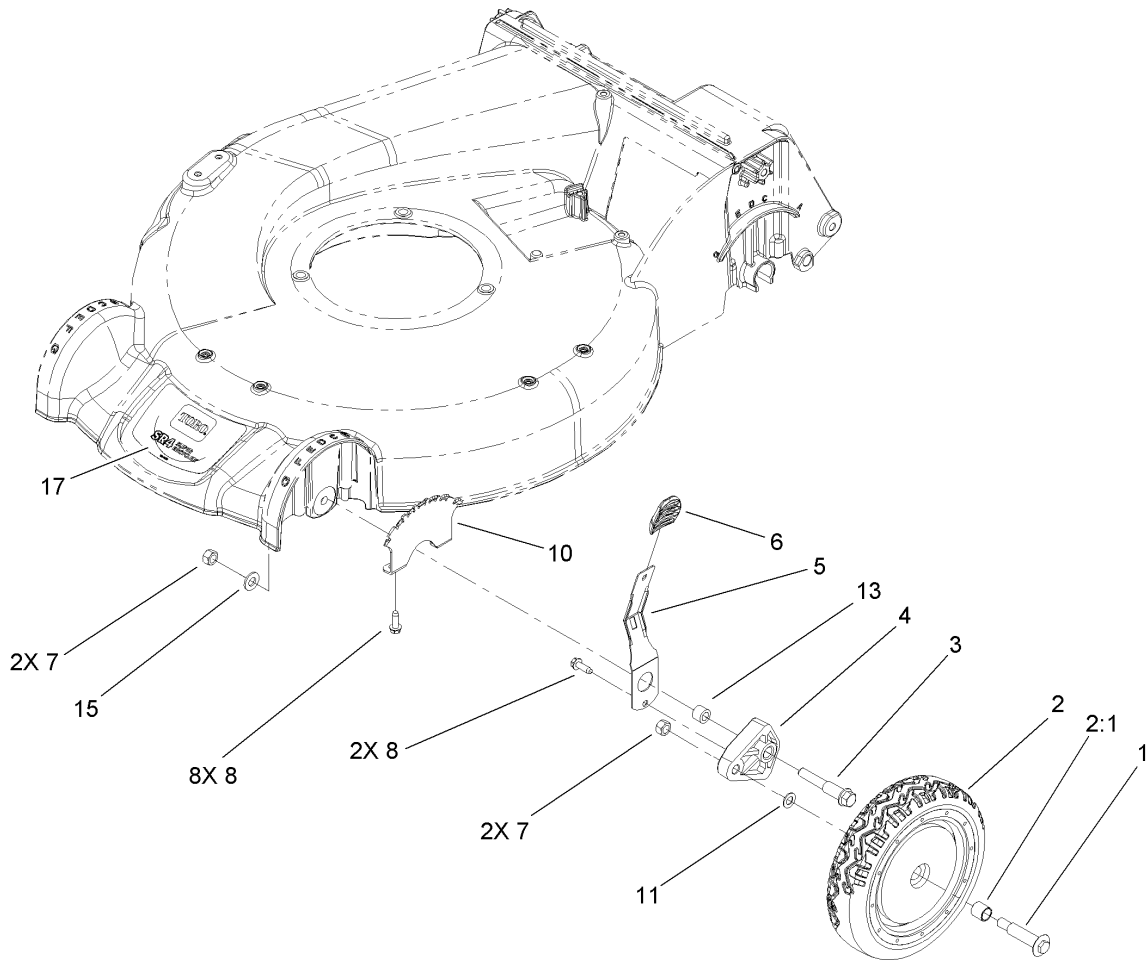
- | | |
|---|--|
| ❶ Not illustrated | ❷ Not serviced separately |
| ❸ Obtain from your local Briggs & Stratton dealer | ❹ Included in Carburetor Overhaul Kit (Ref. No. 121) |
| ❺ Included in Engine Gasket Set (Ref. No. 358) | ❻ Included in Carburetor Gasket Set (Ref. No. 977) |



Housing Assembly

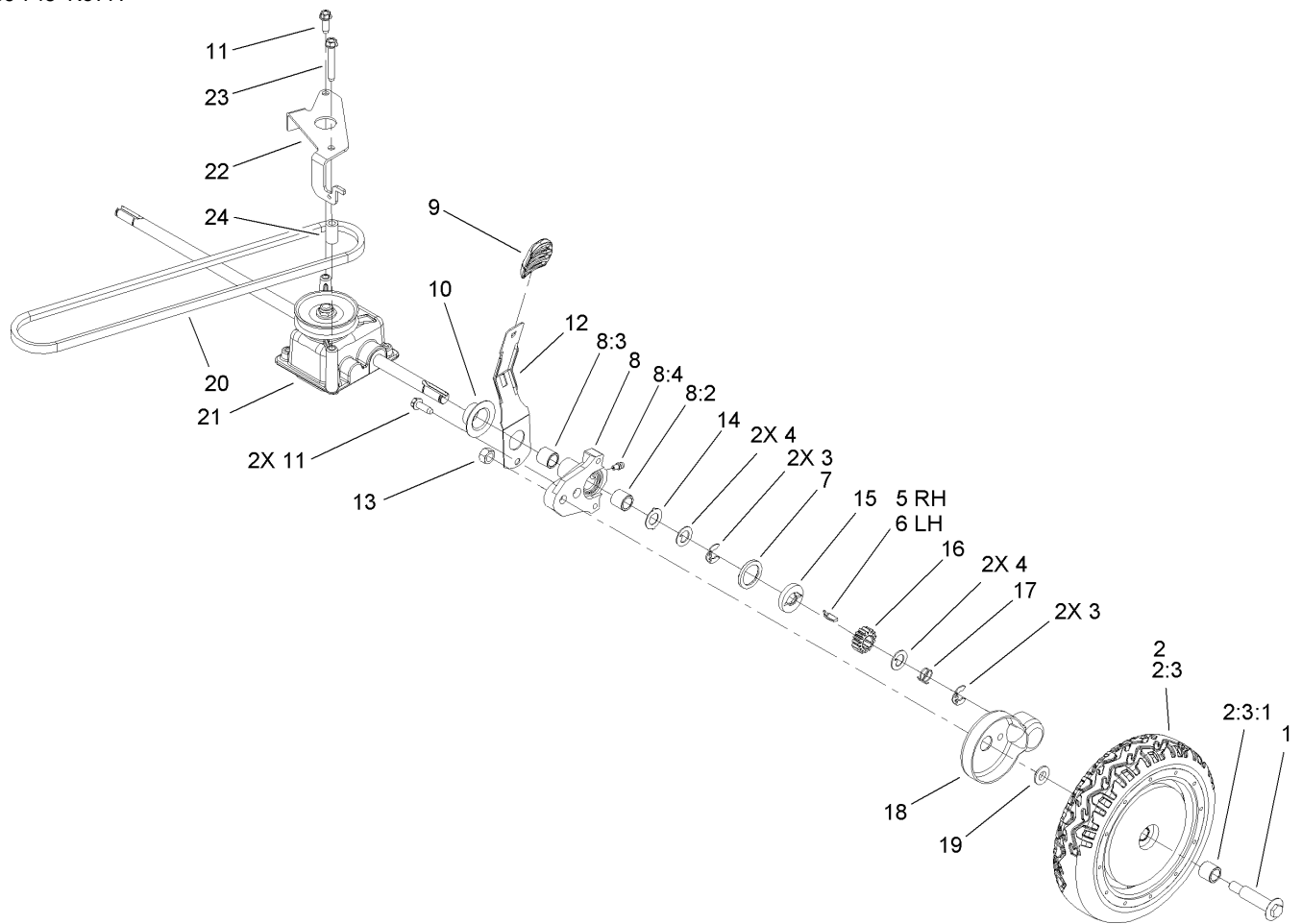
Ref	Part No.	Qty.	Description
1	108-8169	1	Door-Service
1:1	105-1295	1	Decal-Warning
2	49-2040	7	Screw-HWHTF
3	3290-337	1	Nut-Speed
4	107-7493	2	Plate-Support, Door
5	107-7490	1	Plug-Mulch
6	105-3032	1	Spring-Door, Rear
7	114-1586	1	Shield-Trailing
8	107-7497	1	Bracket-Cable, Traction
9	107-7494	1	Cover-Belt
10	107-7499	1	Rod-Support, Door
11	107-3717	1	Discharge Door ASM
11:2	107-0795	1	Latch-Door
11:3	107-7456	1	Cap-Door
11:4	107-7461	1	Screw-Plastite
12	99-8445	2	Screw-HWH
13	99-5293	1	Spring-Torsion
14	99-5291	1	Rod-Cover
15	112-6416	1	Bracket-Cover
16	108-3753	1	Chute-Discharge, Side
18	112-8862	1	Housing ASM
21	107-7495	1	Tunnel-Discharge
25	112-6438	1	Washer-Seal, Washout Port
26	112-6400	1	Port-Washout

Ref	Part No.	Qty.	Description
27	112-6401	1	Coupling-Hose, Washout Port
28	3254-5	1	Washer-Tooth
29	3218-6	1	Nut-Jam
30	112-8868	1	Decal-Washout Port



Height-of-Cut Assembly

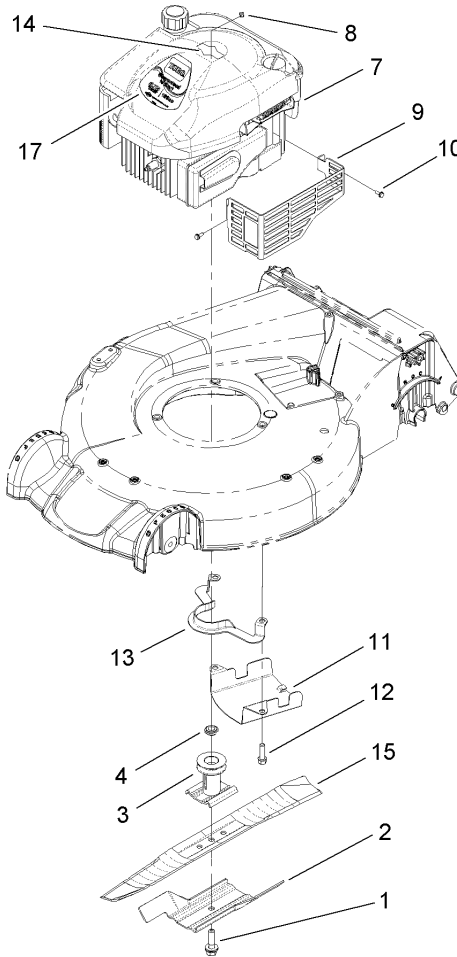
Ref	Part No.	Qty.	Description
1	92-1057	2	Bolt-Shoulder
2	107-3708	2	Wheel ASM
2:1	27-6250	2	Bushing
3	107-7498	2	Screw-Shoulder, HOC
4	107-7492	2	Arm-Pivot
5	107-7491	2	Arm-Spring
6	105-3042	2	Knob-Lever, HOC
7	603773	4	Nut
8	49-2040	10	Screw-HWHTF
10	107-7478	4	Plate-HOC
11	40-1940	2	Washer
13	52-2480	2	Spacer-Wheel
15	3256-24	2	Washer-Flat
17	108-8168	1	Decal



Transmission Assembly

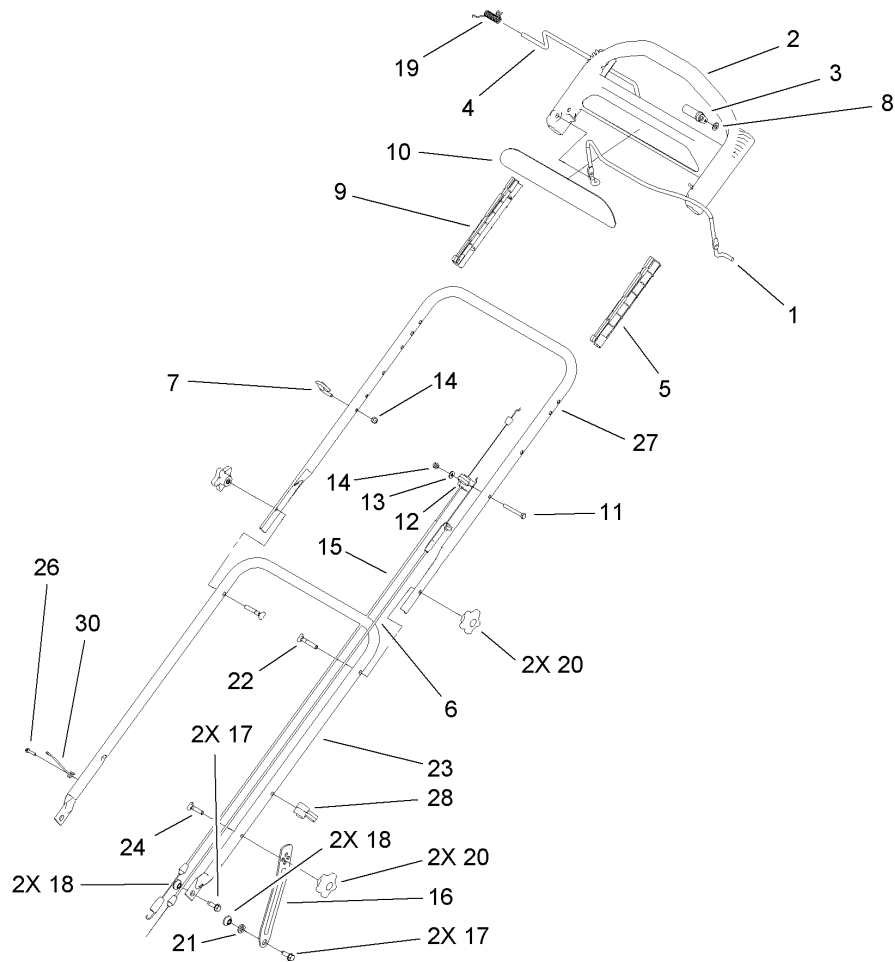
Ref	Part No.	Qty.	Description
1	92-1057	2	Bolt-Shoulder
2	107-3709	2	Wheel Gear ASM
2:3		1	Wheel ASM
2:3:1	27-6250	2	Bushing
3	65-2720	4	Klipring-Locking
4	65-4740	4	Washer-Thrust, Keyed
5	66-6040	1	Key-Rocking, RH
6	66-6050	1	Key-Rocking, LH
7	65-4710	2	Ring-Friction
8	100-8774	2	Pivot Arm ASM
8:2	47-2900	1	Bushing
8:3	70-9760	1	Bushing
8:4	302-56	1	Fitting-Grease
9	105-3042	2	Knob-Lever, HOC
10	42-3520	2	Cap-End
11	49-2040	3	Screw-HWHTF
12	107-7491	2	Arm-Spring
13	603773	2	Nut
14	65-4730	2	Washer-Arm, Pivot
15	65-4760	2	Washer-Clutch
16	65-4750	2	Gear-Pinion
17	65-4720	2	Spring-Compression
18	74-1660	2	Cover-Wheel
19	74-1671	2	Spacer-Cover, Wheel

Ref	Part No.	Qty.	Description
20	99-1597	1	V-Belt
21	108-8140	1	Gear Case ASM
22	107-7483-03	1	Bracket-Gearbox
23	92-1616	1	Screw-HWHTF
24	614673	1	Bushing-Plate, Actuator



Engine Assembly

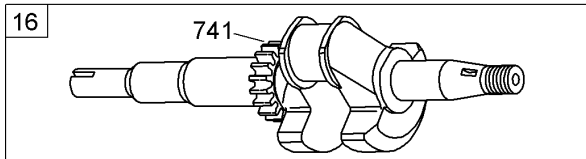
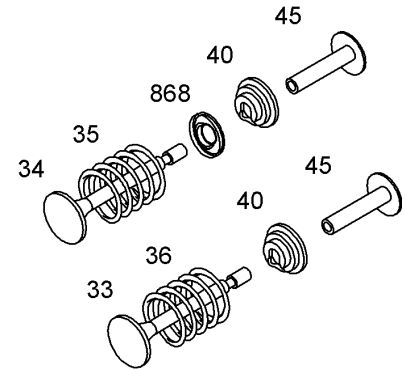
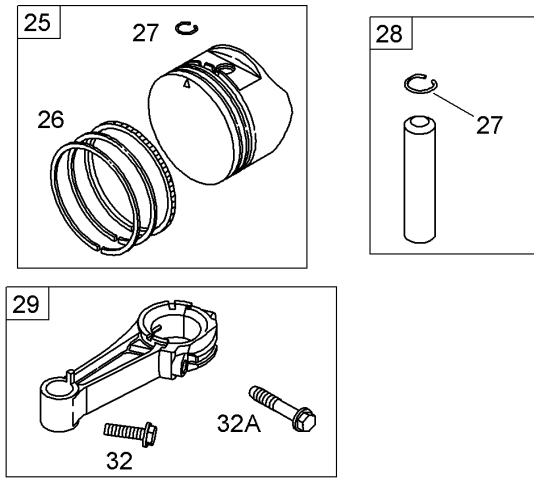
Ref	Part No.	Qty.	Description				
1	105-8579	1	Bolt-Blade				
2	105-6848-03	1	Accelerator-Blade				
3	106-3987	1	Blade Driver ASM				
4	106-3999	1	Spacer-Driver				
2 2 7		1	Engine-Briggs & Stratton, 126T02-0206-B1				
8	2210-316	1	Stop-Rope				
9	104-7577-03	1	Shield-Muffler				
10	32144-1	3	Screw-Taptite				
11	107-7489-03	1	Shield-Grass				
12	95-1727	3	Screw-Taptite				
13	108-8110-03	1	Guide-Belt				
14	108-8130	1	Decal-Recoil				
15	108-3762-03	1	Blade-Recycling				
17	114-0339	1	Decal-Engine				



Handle Assembly

Ref	Part No.	Qty.	Description
1	104-8679-03	1	Bail-Brake
2	104-8678	1	Handle-Control
3	99-1589	1	Lever-Traction
4	99-1588	1	Bar-Control, Traction
5	105-6842	1	Guide-LH
6	108-8157	1	Cable-Brake
7	86-9671	1	Guide-Rope
8	3256-23	1	Washer-Flat
9	105-6841	1	Guide-RH
10	108-8134	1	Decal-Handle
11	95-4453	1	Screw
12	99-5239	1	Anchor-Cable
13	3256-1	1	Washer-Flat
14	3296-73	2	Nut-Lock, NI
15	108-8158	1	Cable-Traction
16	108-8145-03	2	Support-Handle
17	701243	4	Screw-HWHTF
18	27-6600	4	Spacer-Coupling
19	104-8690	1	Spring-Torsion
20	108-8162	4	Knob-Locking
21	55-9670	2	Washer
22	92-2260	2	Screw-Handle
23	107-7476-05	1	Handle-Lower
24	92-2260	2	Screw-Handle

Ref	Part No.	Qty.	Description
26	32144-53	1	Screw-SHWH
27	107-3783-05	1	Handle-Upper
28	106-6805	1	Guide-Cable
30	108-9452	1	Hook-Rope, Displacement

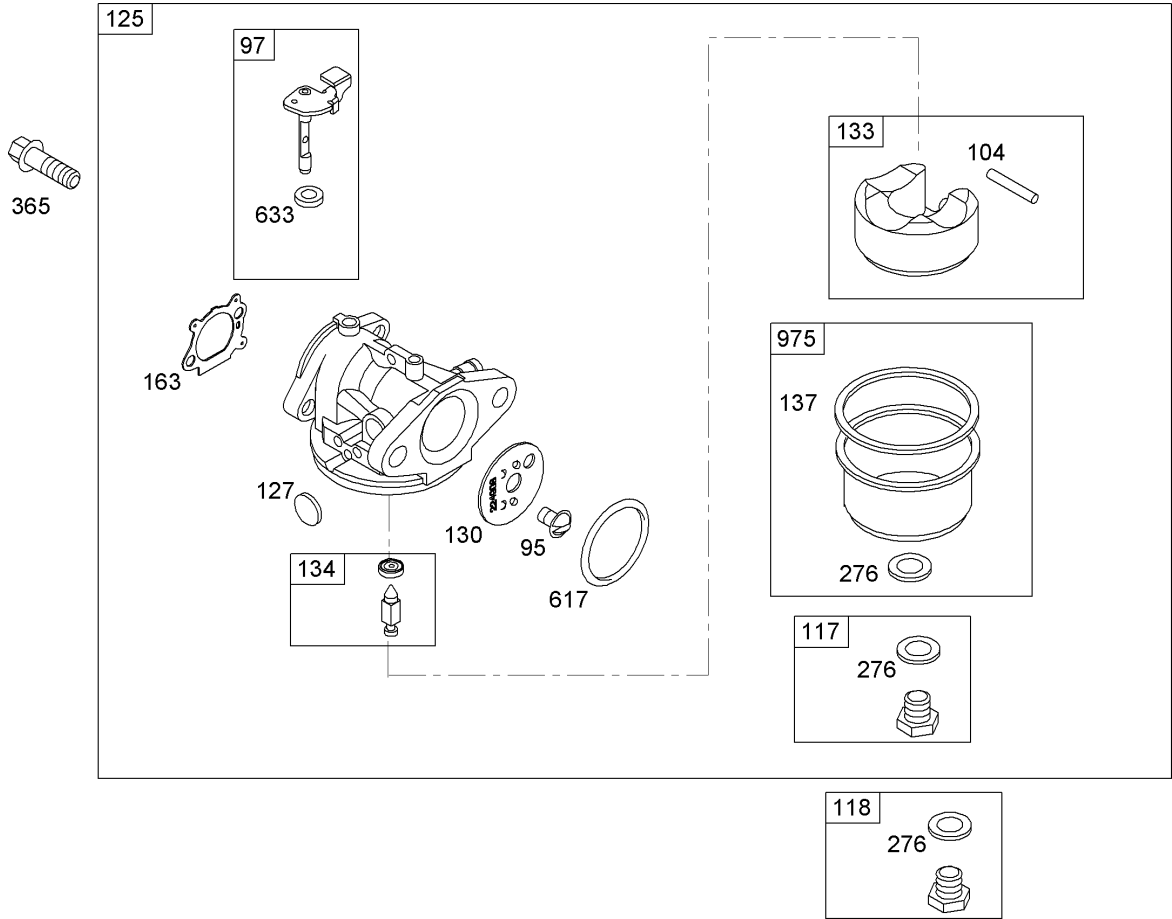


Assemblies include all parts shown in frames

Crankshaft Assembly Briggs and Stratton 126T02-0206-E1

Ref	Part No.	Qty.	Description
16	696009	1	Crankshaft
24	222698s	1	Key-Flywheel
25	790359	1	Piston ASM (STD)
25	791326	1	Piston ASM (.020 O S)
26	790360	1	Ring Set (STD)
26	791324	1	Ring Set (.020 O S)
27	691866	1	Lock-Pin, Piston
28	499423	1	Pin-Piston (STD)
29	499424	1	Rod-Connecting (STD)
32	691664	1	Screw (Connecting Rod)
32A	695759	1	Screw (Connecting Rod)
33	262651s	1	Valve-Exhaust
34	262652s	1	Valve-Intake
35	691270	1	Spring-Valve (Intake)
36	691270	1	Spring-Valve (Exhaust)
40	692194	1	Retainer-Valve
45	690548	1	Tappet-Valve
741	790345	1	Gear-Timing
868	697338	1	Seal-Valve

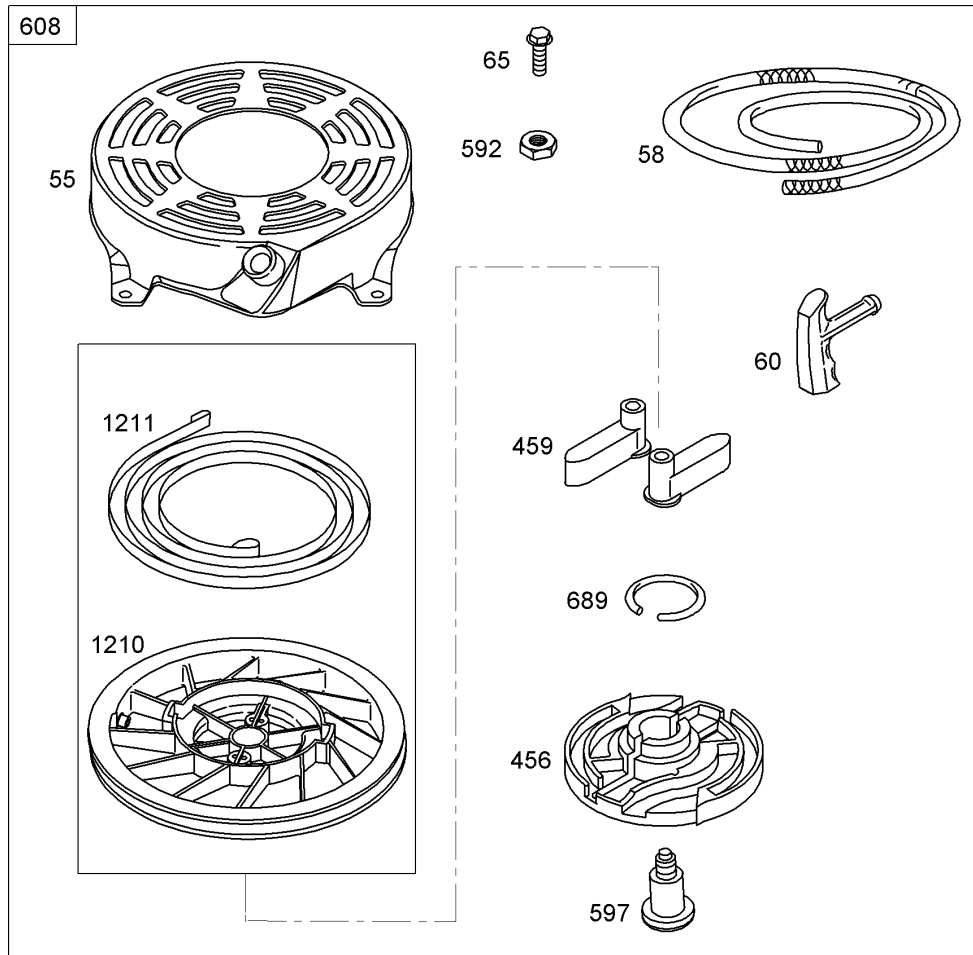
--	--	--	--



Assemblies include all parts shown in frames

Carburetor Assembly Briggs and Stratton 126T02-0206-E1

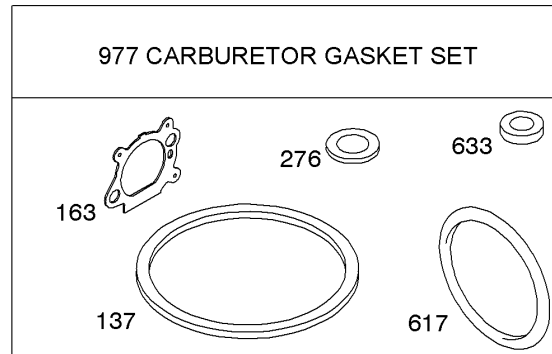
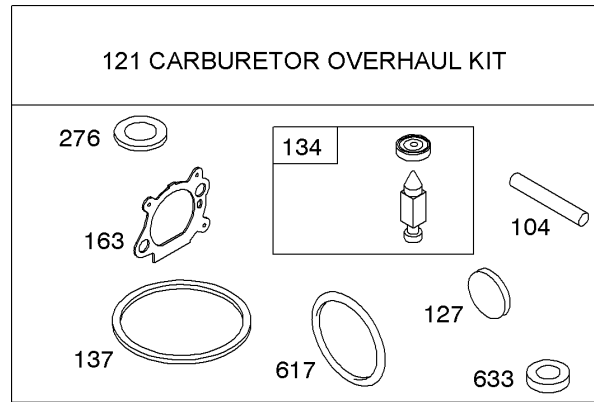
Ref	Part No.	Qty.	Description
③ 95	691636	1	Screw (Throttle Valve)
③ 97	696565	1	Shaft-Throttle
③ ④ 104	691242	1	Pin-Hinge, Float
③ 117	498978	1	Jet-Main (STD)
③ 118	497466	1	Jet-Main (High Altitude)
③ 125	498170	1	Carburetor
③ ④ 127	694468	1	Plug-Welch
③ 130	696564	1	Valve-Throttle
③ 133	398187	1	Float-Carburetor
③ ④ 134	398188	1	Needle Seat Kit
③ ④ 137	693981	1	Gasket-Bowl, Float
⑤ ⑥			
③ ④ 163	272653s	1	Gasket-Cleaner, Air
⑤ ⑥			
③ ④ 276	271716	1	Washer-Sealing
⑤ ⑥			
③ 365	692524	1	Screw (Carburetor)
③ ④ 617	270344s	1	Seal, O-Ring (Intake Manifold)
⑤ ⑥			
③ ④ 633	691321	1	Seal-Shaft, Choke Throttle
⑤ ⑥			
③ 975	493640	1	Bowl-Float



Starter Assembly Briggs and Stratton 126T02-0206-E1

Ref	Part No.	Qty.	Description
●55	691421	1	Housing-Starter, Rewind
●58	697316	1	Rope-Starter
●60	281434s	1	Grip-Rope, Starter
●65	690837	1	Screw (Rewind Starter)
●456	692299	1	Plate-Friction, Pawl
●459	281505s	1	Ratchet-Pawl
●592	690800	1	Nut (Rewind Starter)
●597	691696	1	Screw (Pawl Friction Plate)
●608	497680	1	Starter-Rewind
●689	691855	1	Spring-Friction
●1210	498144	1	Pulley/Spring ASM (Pulley)
●1211	498144	1	Pulley/Spring ASM (Spring)

--	--	--	--



Assemblies include all parts shown in frames

Carburetor Overhaul Kit Briggs and Stratton 126T02-0206-E1

Ref	Part No.	Qty.	Description
③④104	691242	1	Pin-Hinge, Float
③121	498260	1	Carburetor Overhaul Kit
③④127	694468	1	Plug-Welch
③④134	398188	1	Needle Seat Kit
③④137	693981	1	Gasket-Bowl, Float
⑥			
③④163	272653s	1	Gasket-Cleaner, Air
⑤⑥			
③276	271716	1	Washer-Sealing
③④617	270344s	1	Seal, O-Ring
⑤			
③④633	691321	1	Seal-Shaft, Choke Throttle
⑥			
③977	498261	1	Carburetor Gasket Set

Attachments and Accessories

For 20055 - Super Recycler Lawn Mower

Product Name	Model/Part
Bagging Blade	108-3759-03
Traction Assist Handle Kit	108-8120

NOTES

