

TOSHIBA

Leading Innovation >>>

Important Information for Computers with Wireless WAN/3G

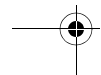
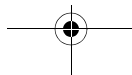
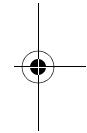
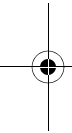
Your Toshiba computer is equipped with Wireless WAN/3G technology. This technology enables you to enjoy fast, secure and convenient mobile broadband access over wireless 3G cellular networks. You can select either an HSPA (High Speed Packet Access) or EV-DO (Evolution-Data Optimized) network, on a variety of U.S. mobile operators. The built-in 3G technology eliminates the hassles associated with an external device and provides quicker access to your network. With 3G technology, you can stay connected with friends and family, surf the Web and send emails while on the go.

NOTE The throughput of this device may vary depending on coverage, environment, and other factors. 3G wireless use requires a separately purchased subscription service and may not be available in all areas. Access is limited to coverage area; see your service provider for more information.

Depending upon your Wireless WAN/3G subscription service, some carriers require that your computer has a SIM (Subscriber Identity Module) card installed in your computer before your Wireless WAN/3G subscription can be activated.

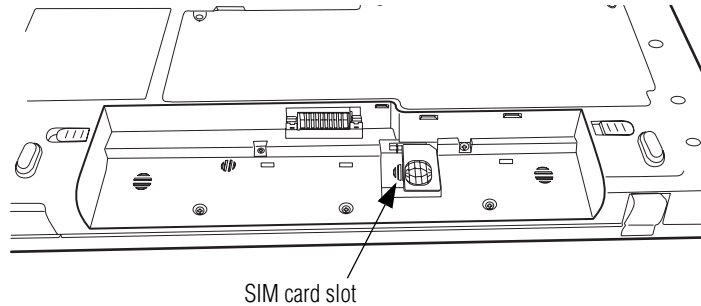
To install a SIM card:

- 1 Make sure that the computer is powered off. Unplug and remove any cables connected to the computer, including the AC adaptor.
- 2 Close the display panel and turn the computer upside down to remove the main battery.



2 Important Information for Computers with Wireless WAN/3G

- 3 Remove the main battery. For more information on removing the main battery see “Removing the battery from the computer” in the electronic User's Guide preinstalled on your computer.
- 4 Locate the SIM card slot.
 - ❖ If there is a SIM card already installed, proceed to step 7.
 - ❖ If there is no SIM card installed, see step 5.



(Sample Illustration) SIM card slot

- 5 Carefully remove the new SIM card from its packaging, without touching the connectors.
- 6 Position the SIM card toward the SIM card slot with the metal contacts facing up and the beveled edge facing closest to the SIM card slot. Push the SIM card into the slot until it locks in place. Do not force the SIM card into position. The SIM card should be completely inserted into the SIM card slot when secured in place.
- 7 Re-insert the main battery. For more information on inserting the main battery see “Inserting a charged battery” in your online User's Guide.
- 8 Turn the computer right side up. Reconnect the cables and restart the computer.
- 9 Start the Wireless WAN/3G activation process.

GMA500725010

