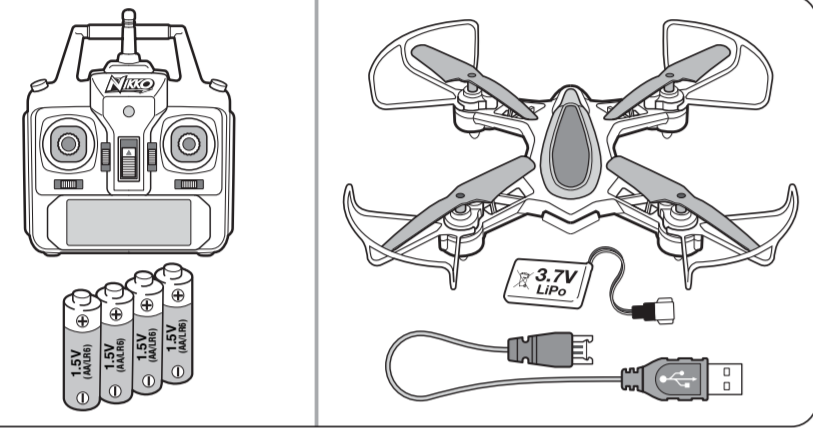




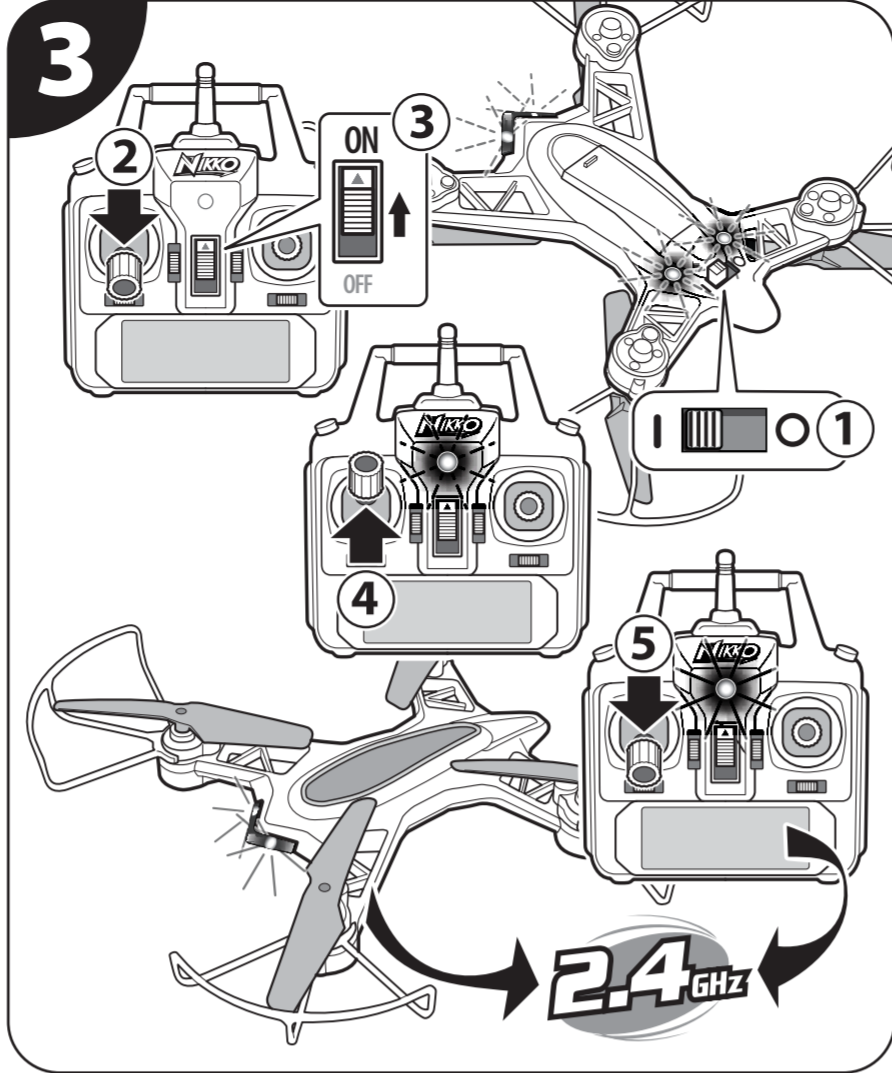
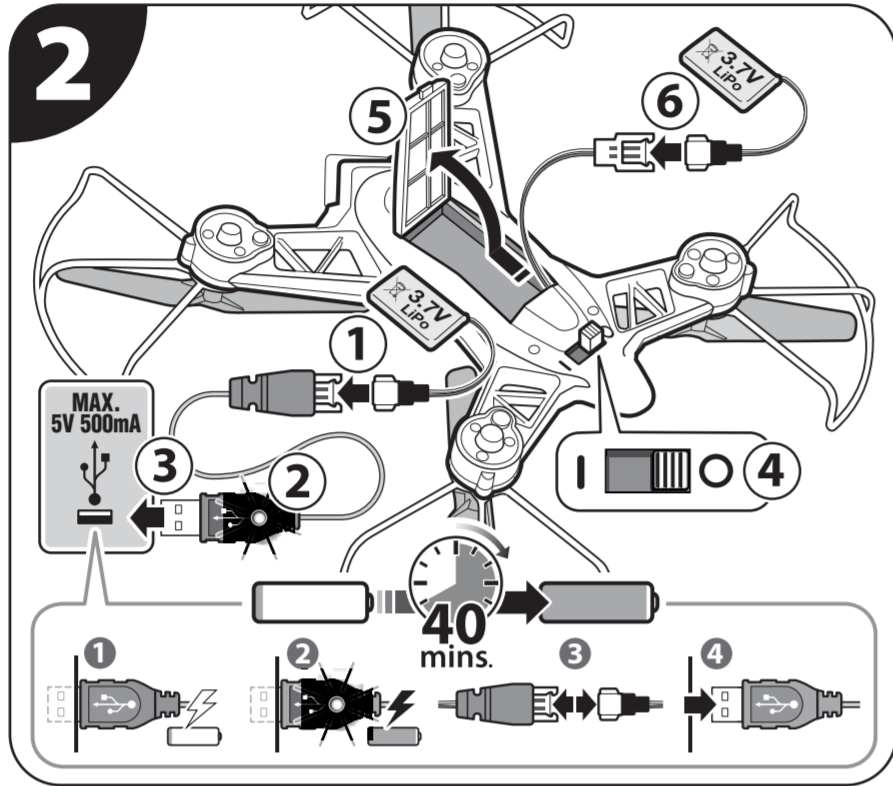
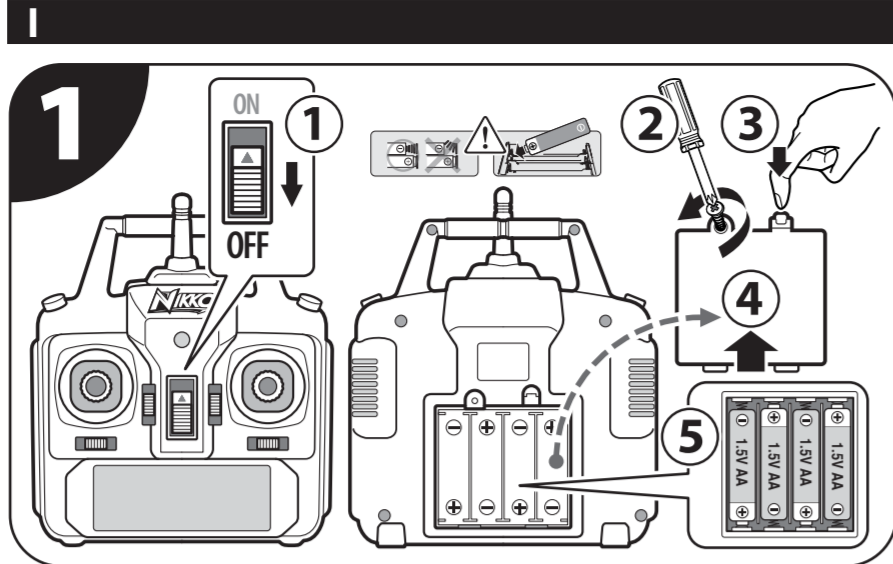
# ZERO-G RACER



**TOY STATE INTERNATIONAL LIMITED**  
66 MODY ROAD, KOWLOON, HONG KONG  
www.toystate.com  
www.NikkoRC.com

14+ consumerservice@toystate.com  
#22623 (781) 349-1000 ext.10

CE, Li-Po, 14+, Recycle symbols



**SAFETY PRECAUTION**

**14+** WARNING! NOT SUITABLE FOR CHILDREN UNDER 14 YEARS OF AGE.

**DO NOT TOUCH THE RUNNING ROTORS. HANDS, HAIR AND LOOSE CLOTHES SHALL BE KEPT AWAY FROM THE ROTORS.**

**CAUTION:**

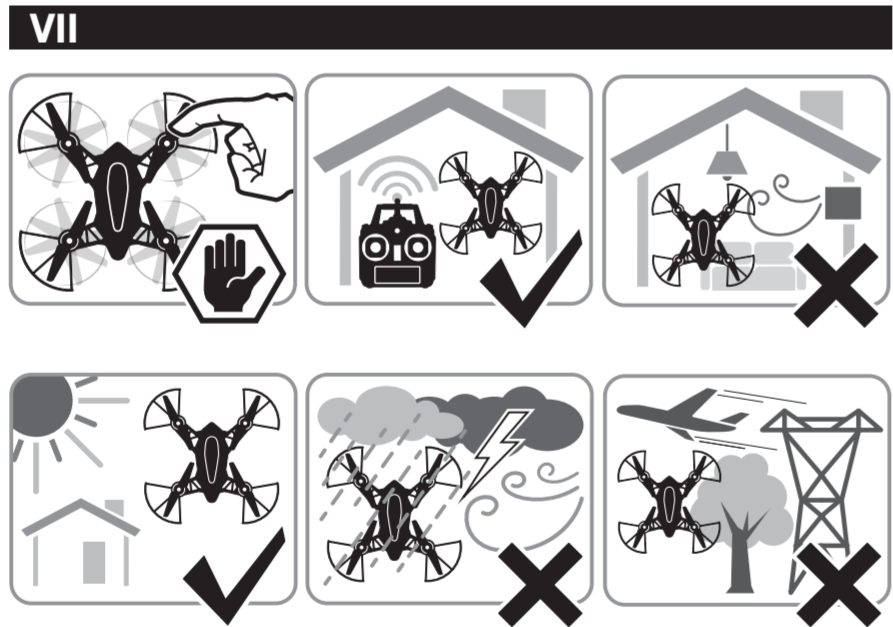
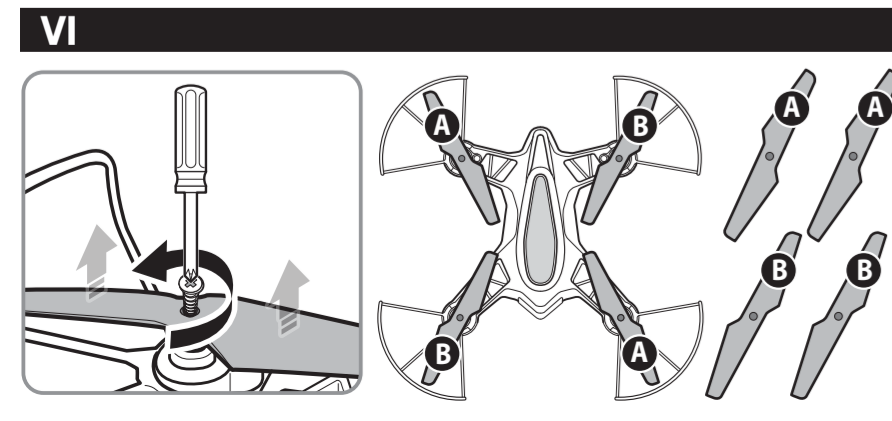
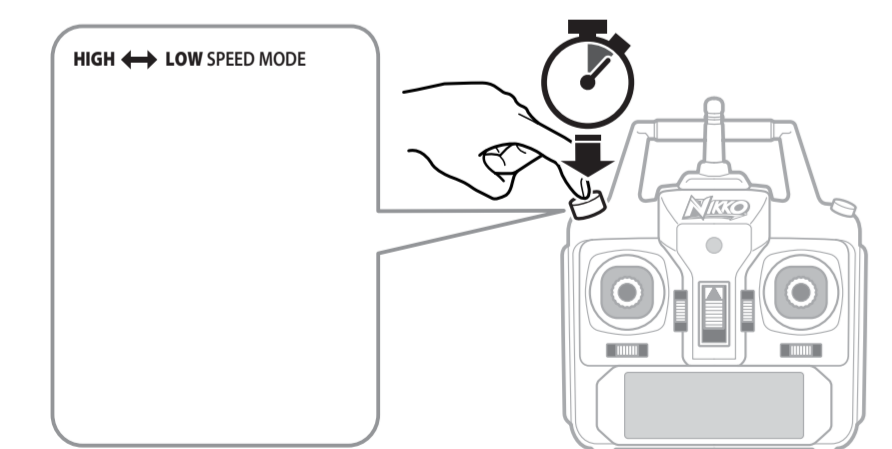
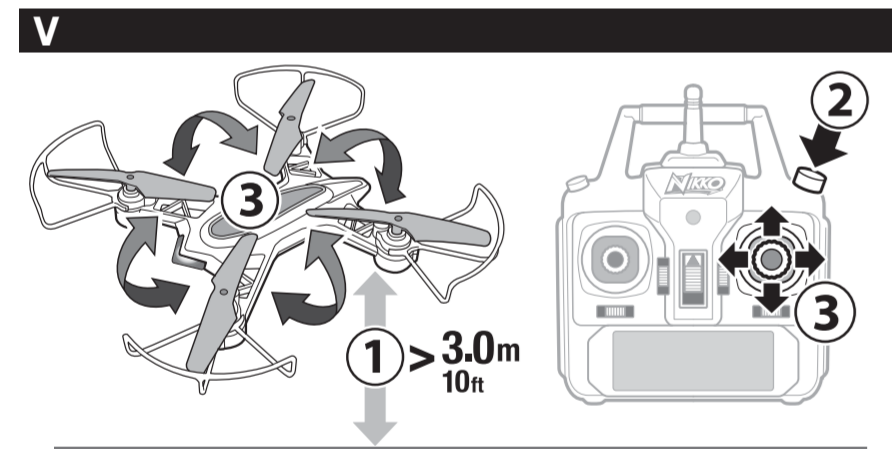
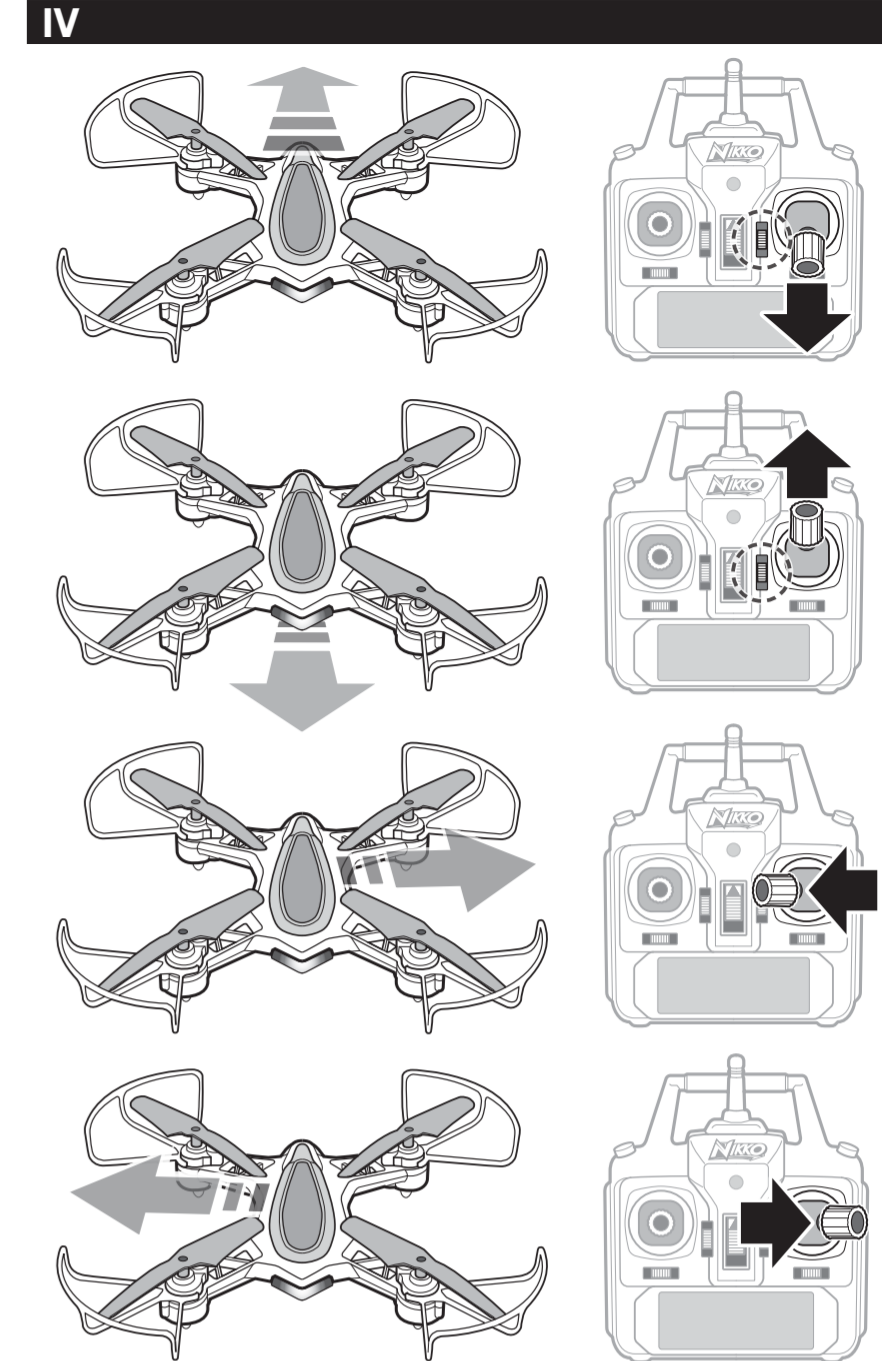
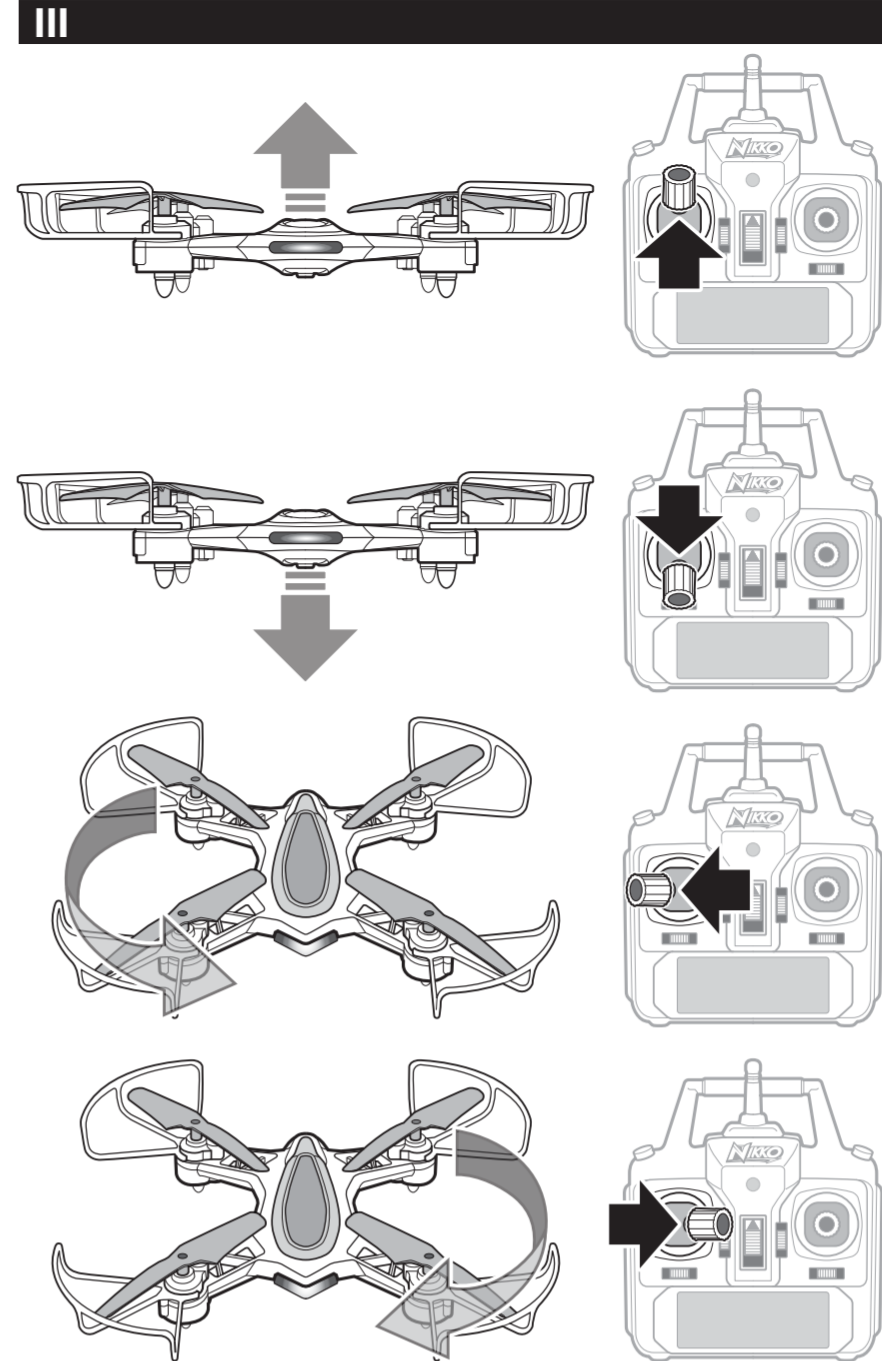
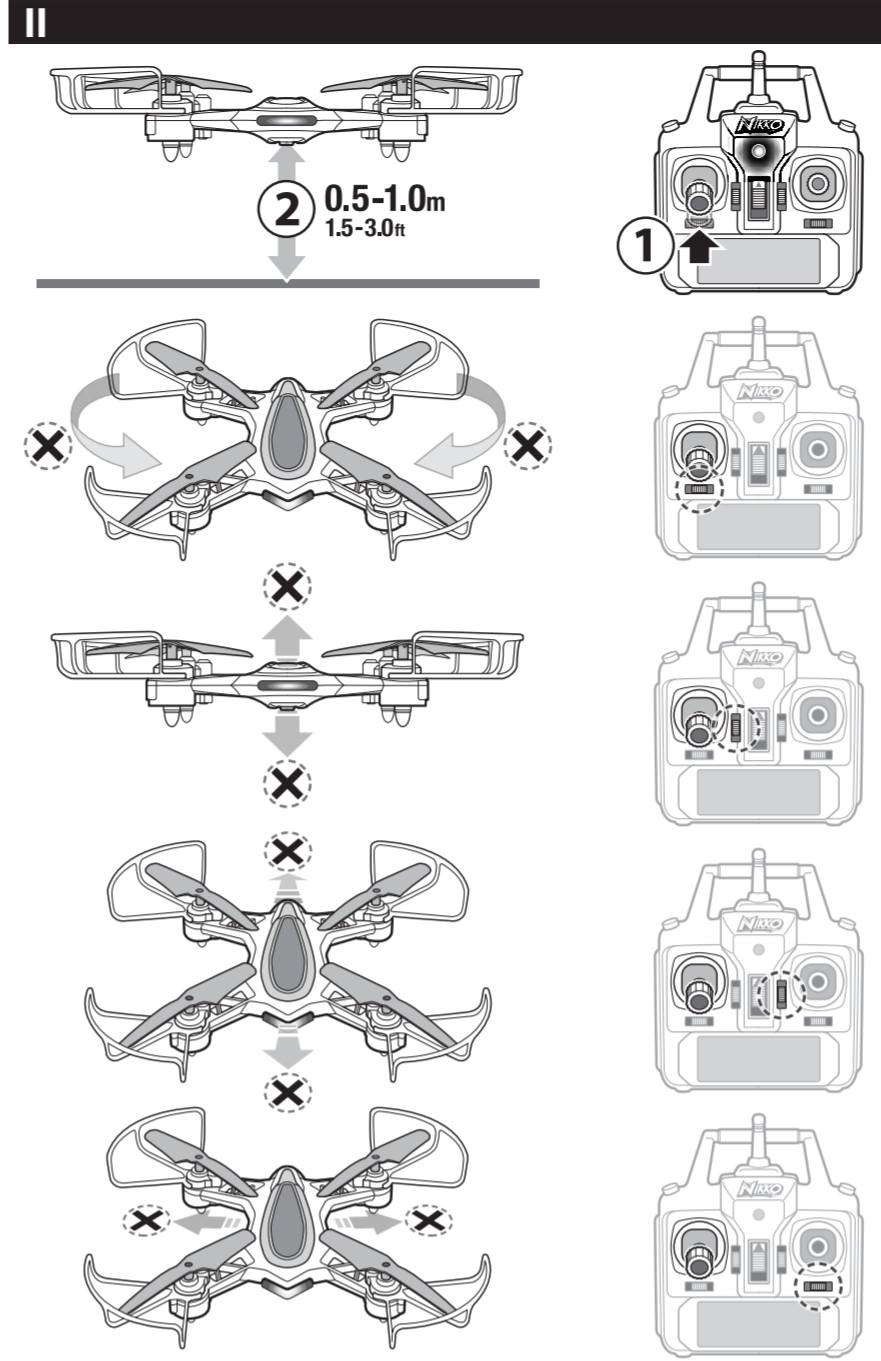
- DO NOT START UP AND FLY WHEN PERSONS, ANIMALS OR ANY OBSTRUCTIONS ARE WITHIN THE FLYING RANGE OF THE QUADCOPTER.
- RISK OF EYE INJURIES: DO NOT FLY NEAR YOUR FACE TO AVOID INJURIES.
- UNDER THE ENVIRONMENT WITH ELECTROSTATIC DISCHARGE, THE PRODUCT MAY MALFUNCTION AND REQUIRE USER TO RESET THE PRODUCT.

Only operate the quadcopter and its accessories when fully assembled and in accordance with this manual! Before first use, read the instruction manual together with your child. Operations and safe use must be explained (preferably by graphical illustrations). Flying the quadcopter requires skill and children must be trained under the direct supervision of adult. Check if the quadcopter is assembled as instructed. Assembly shall be performed under the supervision of adult.

**NOTE: BATTERIES MUST BE RECYCLED OR DISPOSED PROPERLY.** Contact your local area office of solid waste management or other appropriate local agency for information.

Make sure the batteries are inserted with correct polarity. Use only battery type(s) recommended. Do not attempt to short-circuit, charge, disassemble or heat batteries. Do not dispose of batteries in fire or make them wet. Do not mix or use new and old or different types of batteries together. Non-rechargeable batteries are not to be recharged. Remove rechargeable batteries from the product before charging.

Rechargeable batteries are only to be charged by adult. Battery replacement should be done in presence of an adult. Remove batteries from the product for storage. After use, be sure to turn the switch off. Failure to do so may adversely affect batteries, resulting in disabled charged. Exhausted batteries are to be removed from the toy. Regularly examine for damage to the plug, enclosure and other parts, in the event of any damage, the toy must not be used with the transmitter charger until the damage has been repaired.



**SAFETY PRECAUTION**

**14+** WARNING! NOT SUITABLE FOR CHILDREN UNDER 14 YEARS OF AGE.

**DO NOT TOUCH THE RUNNING ROTORS. HANDS, HAIR AND LOOSE CLOTHES SHALL BE KEPT AWAY FROM THE ROTORS.**

**CAUTION:**

- DO NOT START UP AND FLY WHEN PERSONS, ANIMALS OR ANY OBSTRUCTIONS ARE WITHIN THE FLYING RANGE OF THE QUADCOPTER.
- RISK OF EYE INJURIES: DO NOT FLY NEAR YOUR FACE TO AVOID INJURIES.
- UNDER THE ENVIRONMENT WITH ELECTROSTATIC DISCHARGE, THE PRODUCT MAY MALFUNCTION AND REQUIRE USER TO RESET THE PRODUCT.

Only operate the quadcopter and its accessories when fully assembled and in accordance with this manual! Before first use, read the instruction manual together with your child. Operations and safe use must be explained (preferably by graphical illustrations). Flying the quadcopter requires skill and children must be trained under the direct supervision of adult. Check if the quadcopter is assembled as instructed. Assembly shall be performed under the supervision of adult.

**NOTE: BATTERIES MUST BE RECYCLED OR DISPOSED PROPERLY.** Contact your local area office of solid waste management or other appropriate local agency for information.

Make sure the batteries are inserted with correct polarity. Use only battery type(s) recommended. Do not attempt to short-circuit, charge, disassemble or heat batteries. Do not dispose of batteries in fire or make them wet. Do not mix or use new and old or different types of batteries together. Non-rechargeable batteries are not to be recharged. Remove rechargeable batteries from the product before charging.

Rechargeable batteries are only to be charged by adult. Battery replacement should be done in presence of an adult. Remove batteries from the product for storage. After use, be sure to turn the switch off. Failure to do so may adversely affect batteries, resulting in disabled charged. Exhausted batteries are to be removed from the toy. Regularly examine for damage to the plug, enclosure and other parts, in the event of any damage, the toy must not be used with the transmitter charger until the damage has been repaired.

**PILOTING HINTS**

- Trimming the quadcopter as shown in section II.
- Set the left stick on the controller to MINIMUM throttle, and then set the power ON.
- Place the quadcopter on the ground with the tail (Blue LED) pointed towards you.
- For controlling the sticks on the controller, try NOT to push the sticks immediately to the extreme position.
- For turning give short and small inputs to the direction stick. Very gently ADD/REDUCE the throttle.
- Always focus on the quadcopter not on controller.
- Never use parts that are damaged or have altered shape in this quadcopter to ensure safe practice.
- The quadcopter should not be flown in HIGH WINDS or near a pool.

**TROUBLE SHOOTING AND CARE FOR QUADCOPTER**

QUADCOPTER DOES NOT MOVE	PERFORMANCE DROP, INCONSISTENT MOVEMENT OR FAILS TO FLY
<ul style="list-style-type: none"> <li>Is the power switch turned to ON position?</li> <li>Are the batteries weak or out of power?</li> <li>Are the battery installation and control linking completed?</li> <li>Have the controller and quadcopter lost 2.4GHz connection? - see "BATTERY INSTALLATION AND CONTROL LINKING"</li> <li>Are the + and - contacts correctly matched to the batteries?</li> </ul>	<ul style="list-style-type: none"> <li>Are the batteries weak or out of power?</li> <li>Check batteries. If necessary, recharge battery pack and/or replace the batteries in the and controller with new alkaline batteries.</li> <li>Are the batteries installed properly?</li> </ul>

**FEDERAL COMMUNICATIONS COMMISSION COMPLIANCE**

**NOTE:** This device complies with Part 15 of the FCC Rules. Operation is subject to the following two conditions: (1) this device may not cause harmful interference, and (2) this device must accept any interference received, including interference that may cause undesired operation.

**Warning:** Changes or modifications to this unit not expressly approved by the party responsible for compliance could void the user's authority to operate the equipment. NOTE: This equipment has been tested and found to comply with the limits for a Class B digital device, pursuant to Part 15 of the FCC Rules. These limits are designed to provide reasonable protection against harmful interference in a residential installation. This equipment generates, uses and can radiate radio frequency energy and, if not installed and used in accordance with the instructions, may cause harmful interference to radio communications. However, there is no guarantee that interference will not occur in a particular installation. If this equipment does cause harmful interference to radio or television reception, which can be determined by turning the equipment off and on, the user is encouraged to try to correct the interference by one or more of the following measures:

- Reorient or relocate the receiving antenna.
- Increase the separation between the equipment and receiver.
- Connect the equipment into an outlet on a circuit different from that to which the receiver is connected.
- Consult the dealer or an experienced radio/TV technician for help.

**MANUFACTURER'S NOTE**

- Modifications not authorized by the manufacturer may void users authority to operate the device.
- This quadcopter and all accessories need to be periodically examined for potential hazards and any potentially hazardous parts be repaired or replaced.
- In the interest of better quality and value, we are constantly improving and updating our products.
- Consequently, pictures in this instruction sheet may sometimes differ from the model enclosed.
- You are advised to retain the packaging for future reference as it contains important information.



**BATTERY INSTALLATION AND CONTROL LINKING**

**IMPORTANT:**

- This product uses an automatic system to link the quadcopter with the controller. For multi quadcopters play, this process must be completed one by one for each quadcopter.
- Attempting to link multiple quadcopters at the same time will cause miss matching of controllers.
- If the controller and the quadcopter cannot link, please repeat the steps 1-3 to re-link in section I.
- For best performance, always use alkaline batteries only. To remove the batteries, reverse the installation procedure.

**RECHARGING INSTRUCTIONS - QUADCOPTER**

- Connect the USB charging cable into the computer USB port or other USB charging port as shown (MAX. 5V 500mA).
- The red light on the USB charging cable indicates charging process completed. Normal charging time is 30-40 minutes can have about 5-6 minutes of flight time.
- Unplug the USB charging cable from the USB charging port. After charging, the battery pack will feel warm. This is normal.

**NOTE:** Before recharging the battery, please let the battery pack on quadcopter cool down for 5 minutes.