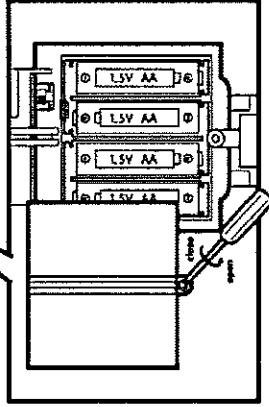
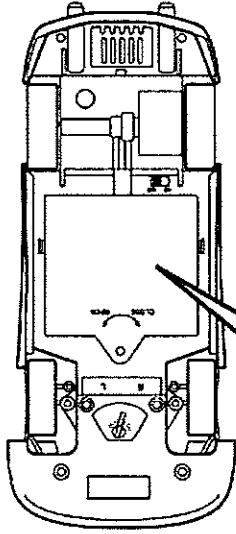


HIGH PERFORMANCE™

R/C Twin Pack

Contains
**Two Complete
R/C Cars**

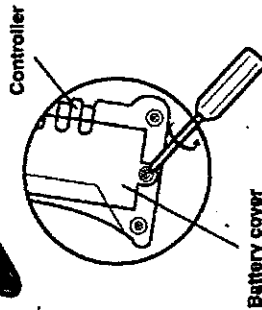
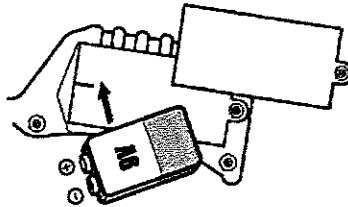
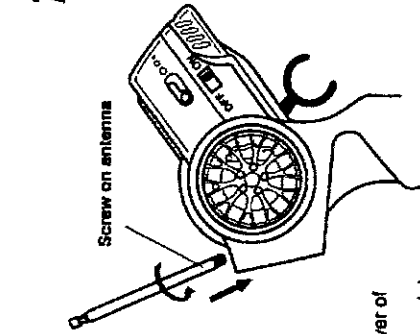


FCC NO. Q42RCFF49T97202
FCC ID. Q42RCFF49A97202
MADE IN CHINA

This device complies with Part 15 of the FCC Rules. Operation is subject to the following two conditions: (1) this device may not cause harmful interference, and (2) this device must accept any interference received, including interference that may cause

2. Install Batteries in R/C Car

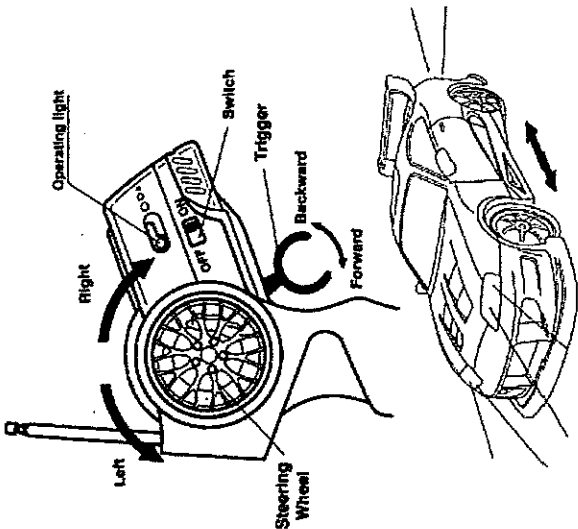
- Loosen screw with a screwdriver (not included) and lift up the battery cover of the car.
- Insert 4 x AA size alkaline batteries following the indicated polarity (+ and -).
- Replace the battery cover and secure it with the screw.



Battery cover

1. Install Battery in Controller

- Loosen screw with a screwdriver (not included) and lift up the battery cover of the controller.
- Insert 1 x 9V 6F22 size alkaline battery following the indicated polarity (+ and -).
- Replace the battery cover and secure it with the screw.



Operating light

Right

Left

Switch

Trigger

Backward

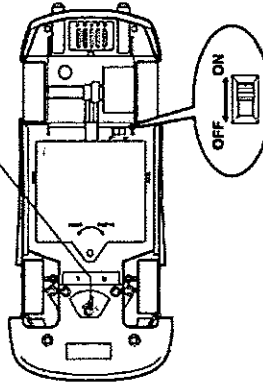
Forward

Steering Wheel

3. Operating R/C Car

- Switch "ON" the car and the controller.
- Operating light on the controller will turn on.
- Make sure the antenna of controller is fully extended to get the best transmission.
- Push the trigger of controller to inward direction, car moves forward.
- Push the trigger of controller to outward direction, car moves backward.
- Release the trigger of controller, car stops.
- Turn the steering wheel to left and push the trigger of controller, car moves to left.
- Turn the steering wheel to right and push the trigger of controller, car moves to right.
- The headlight of the car turns on when it is moving forward. The rear light of the car turns on when it is moving backward.
- Do not let the car get out of transmitting range, as you will have no control of the car. This range varies due to surroundings.
- Turn all switches "OFF" and remove all batteries when it is not in used. Car operation varies from 35-40 minutes, it depends on how the car is used, and the age of the batteries.

TRIM SWITCH



OFF ON

4. Wheel Alignment

Occasionally the car may sway left or right while moving forward or backward. The steering can be adjusted with the trim switch at the bottom of chassis area. Turn either left or right until you have made the adjustment to maintain a straight path of movement.

Herby, declares that this HIGH PERFORMANCE R/C Twin Pack is in compliance with the essential requirements and other relevant provisions of Directive 1999/5/EC.

5. Things You Should Know

- Radio interference can cause the car to react strangely.
- Another car operating on the same frequency can disrupt your controlling of the car.
- CB's cellular telephones, two way radios and other transmitting devices as well as high tension wires may cause interference with operation.
- The car sometimes causes interference with television or even radio reception.
- Do not use the car in mud, water, snow or sand.
- Do not crash the car into any object at high speeds.
- When the car slows down, it is time to change new batteries.
- When the operating light on the controller becomes weak, it is time to change new battery.
- Do not leave the car in direct sunlight for lengthy periods.

NOTE: THE MANUFACTURER IS NOT RESPONSIBLE FOR ANY RADIO OR TV INTERFERENCE CAUSED BY UNAUTHORIZED MODIFICATIONS TO THIS PRODUCT. SUCH MODIFICATIONS COULD VOID THE USER'S AUTHORITY TO OPERATE THE EQUIPMENT.



Toy Things
30 Canton Road
Kowloon, Hong Kong
MADE IN CHINA