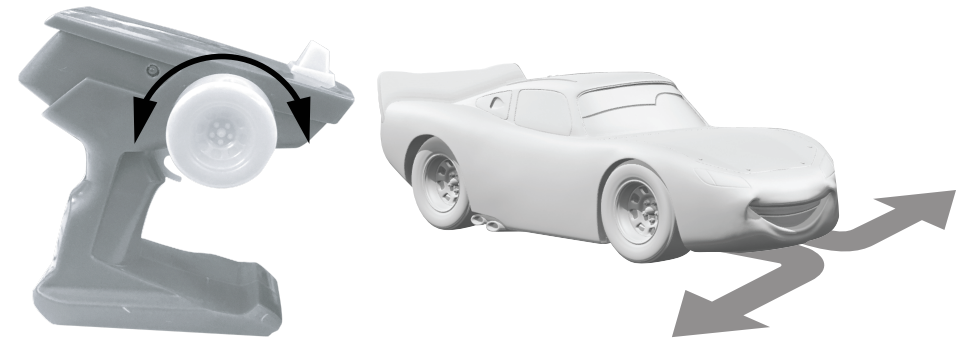
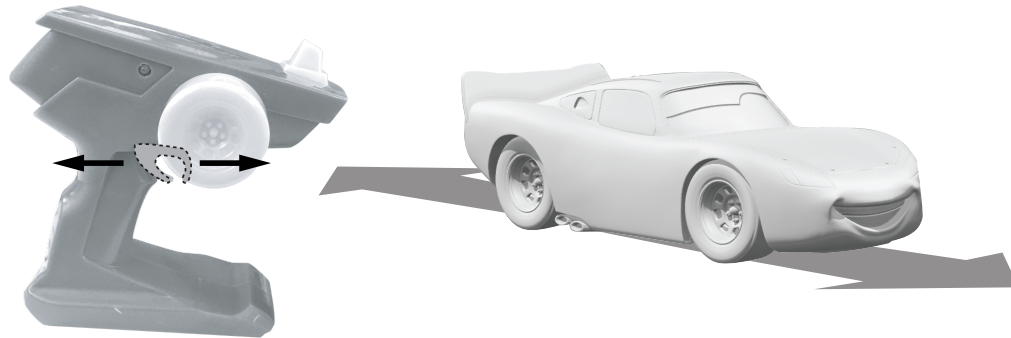
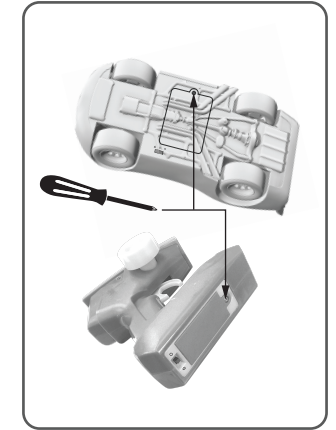
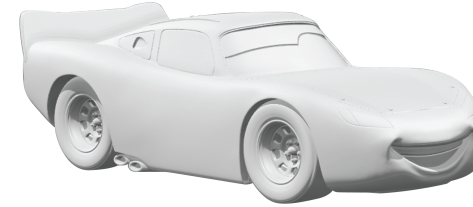
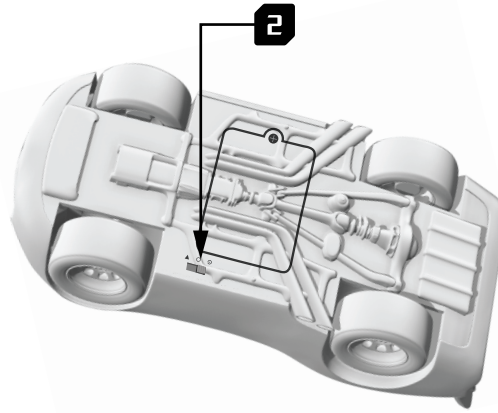
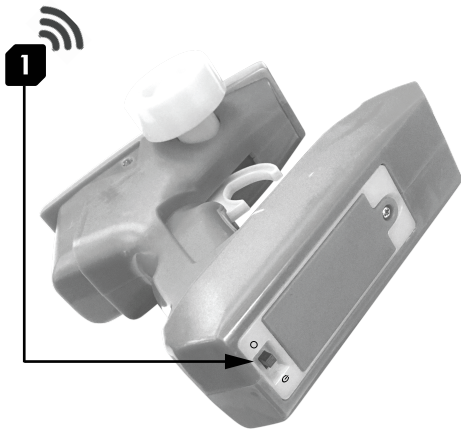


Lightning McQueen

Remote Control Car • Voiture Télécommandée • Carrito con Control Remoto • Uzaktan Kumandali Araba

INSTRUCTIONS • ANVISNINGER • TALİMATLAR • GEBRUIKSAANWIJZING • INSTRUCTIONS • 说明
 INSTRUCCIONES • INSTRUZIONI • ANVISNINGER • INSTRUÇÕES • ANLEITUNG • INSTRUKSJONER • OHEET

3+



Under the environment with radio frequency interference, the sample may malfunction and go back to normal operation without interference.

CAUTION: CHANGES OR MODIFICATIONS TO THIS UNIT NOT EXPRESSLY APPROVED BY THE PARTY RESPONSIBLE FOR COMPLIANCE COULD VOID THE USER'S AUTHORITY TO OPERATE THE EQUIPMENT.

NOTE: This equipment has been tested and found to comply with the limits for a Class B digital device, pursuant to Part 15 of the FCC Rules. These limits are designed to provide reasonable protection against harmful interference in a residential installation. This equipment generates, uses and can radiate radio frequency energy and, if not installed and used in accordance with the instructions, may cause harmful interference to radio communications. However, there is no guarantee that interference will not occur in a particular installation. If this equipment does cause harmful interference to radio or television reception, which can be determined by turning the equipment off and on, the user is encouraged to try to correct the interference by one or more of the following measures: Reorient or relocate the receiving antenna, Increase the separation between the equipment and receiver, Connect the equipment into an outlet on a circuit different from that to which the receiver is connected, and/or Consult the dealer or an experienced radio/TV technician for help.

警告! 窒息危险 - 小部件, 不适合3岁以下儿童 WARNING! CHOKING HAZARD - SMALL PARTS

REQUIRES 6 AA 2 AAA 1.5V BATTERIES, INCLUDED.

WARNING:
 CHOKING HAZARD - Small parts.
 Not for children under 3 years.

ATTENZIONE! RISCHIO DI SOFFOCAMENTO - PRESENZA DI PICCOLE PARTI.
 ¡ADVERTENCIA! PELIGRO DE ATRAGANTAMIENTO - PIEZAS PEQUEÑAS.
 ATTENTION! RISQUE DE SUFFOCATION EN RAISON DES PETITES PIÈCES.
 CUIDADO! PERIGO DE ENGASGAMENTO - PEÇAS PEQUENAS.
 WAARSCHUWING! VERSTIKKINGSGEVAAR - KLEINE ONDERDELEN.
 ACHTUNG! ERSTICKUNGSGEFAHR - KLEINTEILE.
 ADVARSEL! RISIKO FOR KVEVLING PGA. SMÅDELER.
 UYARI! BOĞULMA TEHLİKESİ - KÜÇÜK PARÇALAR.
 VARNING! KVÄVNINGSRISK - SMÅDELAR.
 ADVARSEL! KVELNINGSFARE - SMÅ DELER.
 VAROITUS! TUKEHTUMISVAARA - PIENIÄ OSIA.
 警告! 窒息危险 - 小零件



SONO NECESSARIE 6 AA 2 AAA 1.5V BATTERIE, INCLUSE.
 NECESITA 6 AA 2 AAA PILAS 1.5V, INCLUIDAS.
 FONCTIONNE SUR BATTERIES 6 AA 2 AAA 1.5V, INCLUSES.
 REQUER 6 AA 2 AAA 1.5V, INCLUIDAS.
 VEREIJST 6 AA 2 AAA 1.5V BATTERIEN, INBEGREPEN.
 BENÖTTIGT 6 AA 2 AAA 1.5V BATTERIEN, SIND ENTHALTEN.
 KRÄVER 6 AA 2 AAA 1.5V BATTERIER, INKLUDERET.
 6 AA 2 AAA 1.5V PİL GEREKTRİR, BİRLİKTE VERİLMİŞTİR.
 KRÄVER 6 AA 2 AAA 1.5V BATTERIER, INKLUDERADE.
 KRÄVER 6 AA 2 AAA 1.5V BATTERIER, INKLUDERT.
 VAATII 6 AA 2 AAA 1.5V PARISTOA, SISÄLTYY PAKKAUKSEEN.
 需要6 AA 2 AAA 1.5V 電池, 已包含。



© Disney / Pixar

本说明含重要信息, 请保留备用