

SECTION 1 - 1

OPERATION OF INSTRUMENTS AND CONTROLS

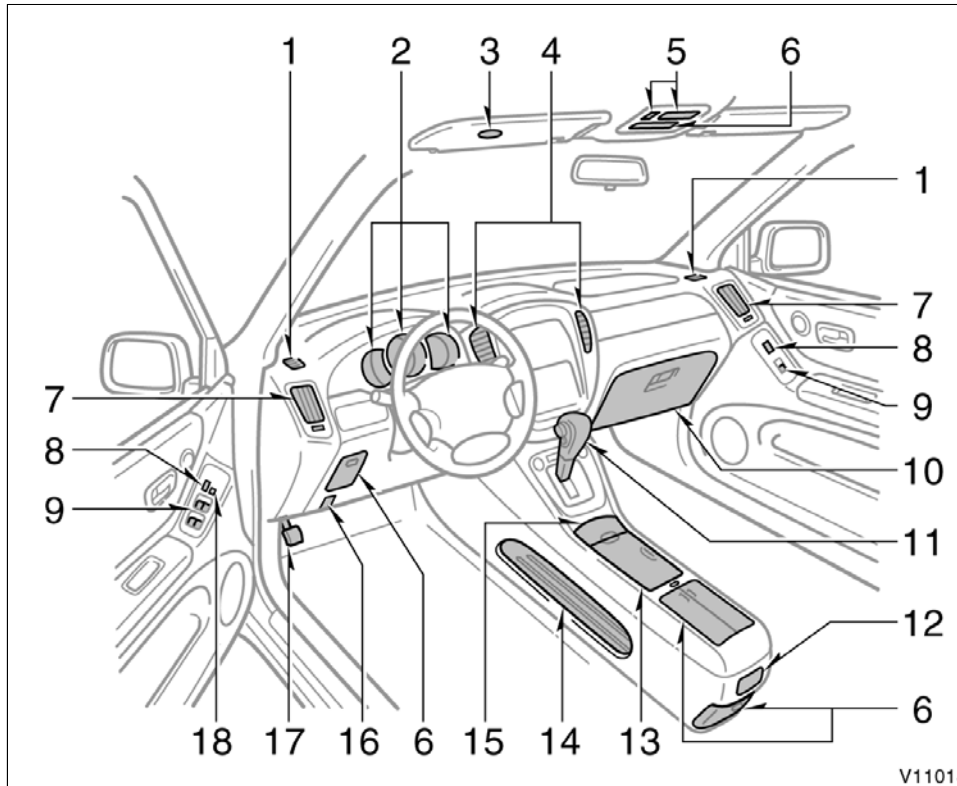
Overview of instruments and controls

Instrument panel overview	2
Instrument cluster overview	8
Indicator symbols on the instrument panel	9

'02 HIGHLANDER_U (L/O 0108)

Instrument panel overview

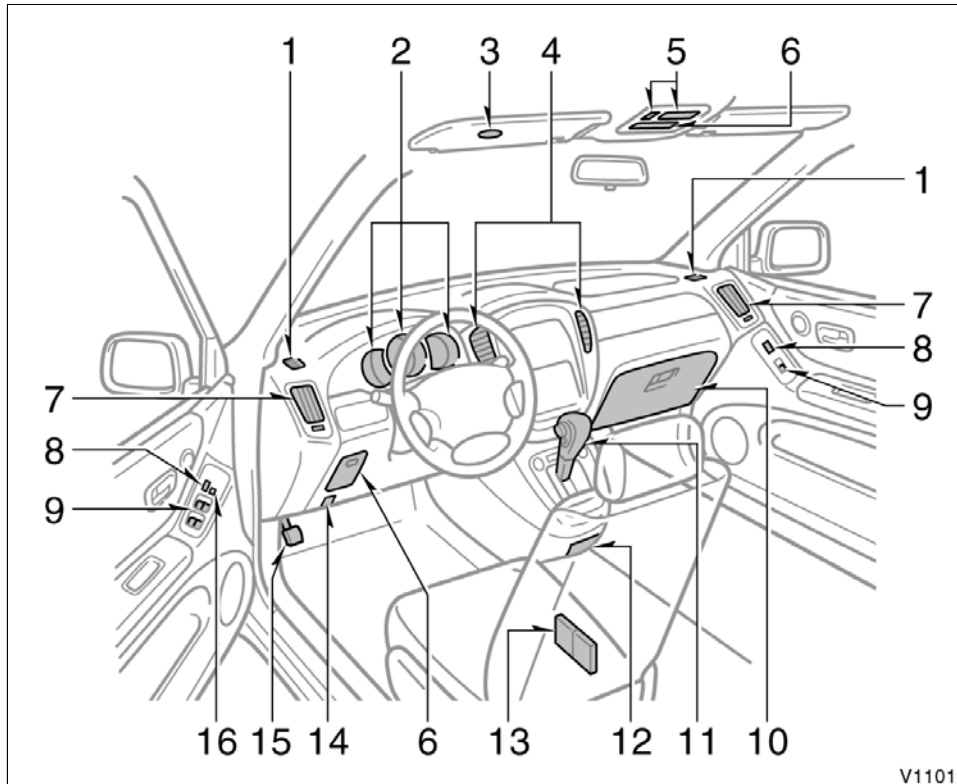
► Vehicles with rear console



1. Side defroster outlets
2. Instrument cluster
3. Garage door opener
4. Center vents
5. Electric moon roof switch and personal light
6. Auxiliary boxes
7. Side vents
8. Power door lock switches
9. Power window switches
10. Glove box
11. Automatic transmission selector lever
12. Rear ashtray
13. Cup holder
14. Container
15. Front ashtray
16. Hood lock release lever
17. Parking brake pedal
18. Window lock switch

'02 HIGHLANDER_U (L/O 0108)

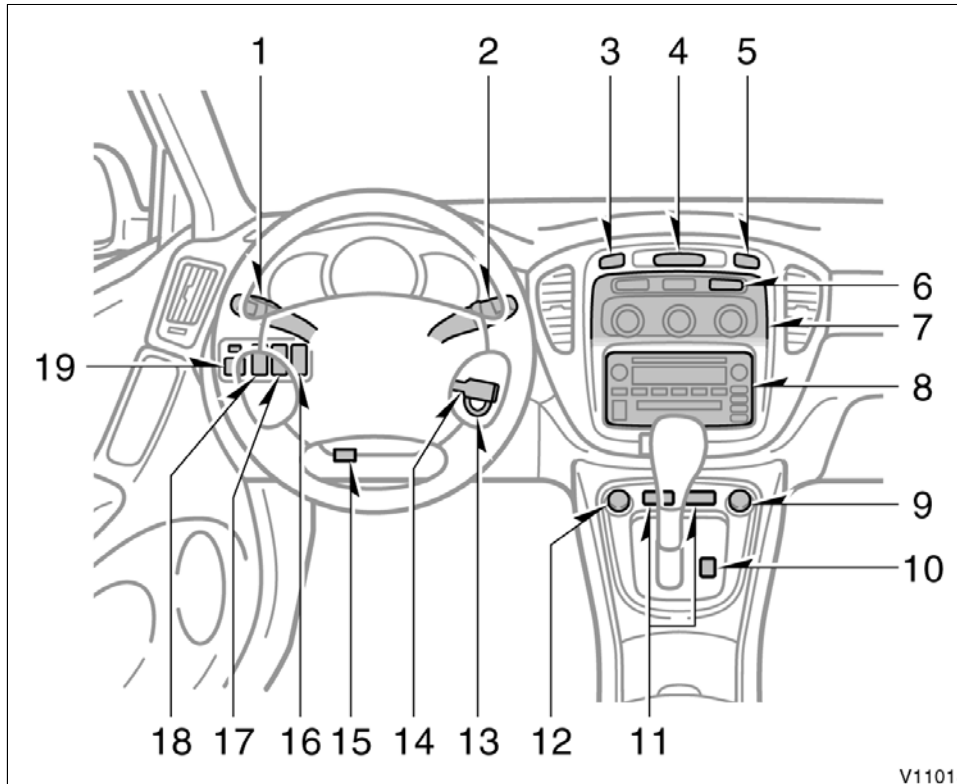
► Vehicles without rear console



1. Side defroster outlets
2. Instrument cluster
3. Garage door opener
4. Center vents
5. Electric moon roof switch and personal light
6. Auxiliary boxes
7. Side vents
8. Power door lock switches
9. Power window switches
10. Glove box
11. Automatic transmission selector lever
12. Ashtray
13. Cup holders
14. Hood lock release lever
15. Parking brake pedal
16. Window lock switch

'02 HIGHLANDER_U (L/O 0108)

► Vehicles with manual air conditioning controls



V11013

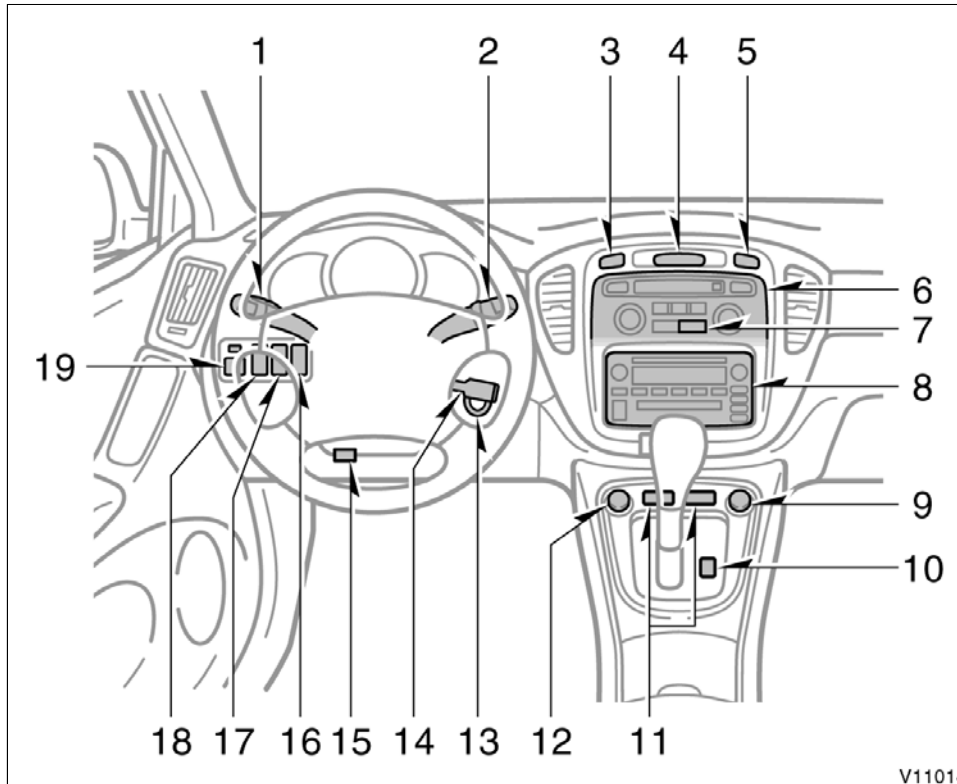
1. Headlight, turn signal and front fog light switches
2. Wiper and washer switches
3. Emergency flasher switch
4. Clock
5. Front passenger's seat belt reminder light
6. Rear window defogger switch
7. Air conditioning controls
8. Car audio
9. Cigarette lighter (vehicles with rear console) or power outlet (vehicles without rear console)
10. Snow mode button
11. Seat heater switches
12. Power outlet (vehicles with rear console) or cigarette lighter (vehicles without rear console)
13. Ignition switch
14. Cruise control switch
15. Tilt steering lock release lever
16. Traction control system off switch (two-wheel drive models)
17. Outside rear view mirror defogger and windshield wiper de-icer switch

'02 HIGHLANDER_U (L/O 0108)

18. Theft deterrent system/Engine immobiliser system indicator light
19. Power rear view mirror control switches

'02 HIGHLANDER_U (L/O 0108)

► Vehicles with automatic air conditioning controls



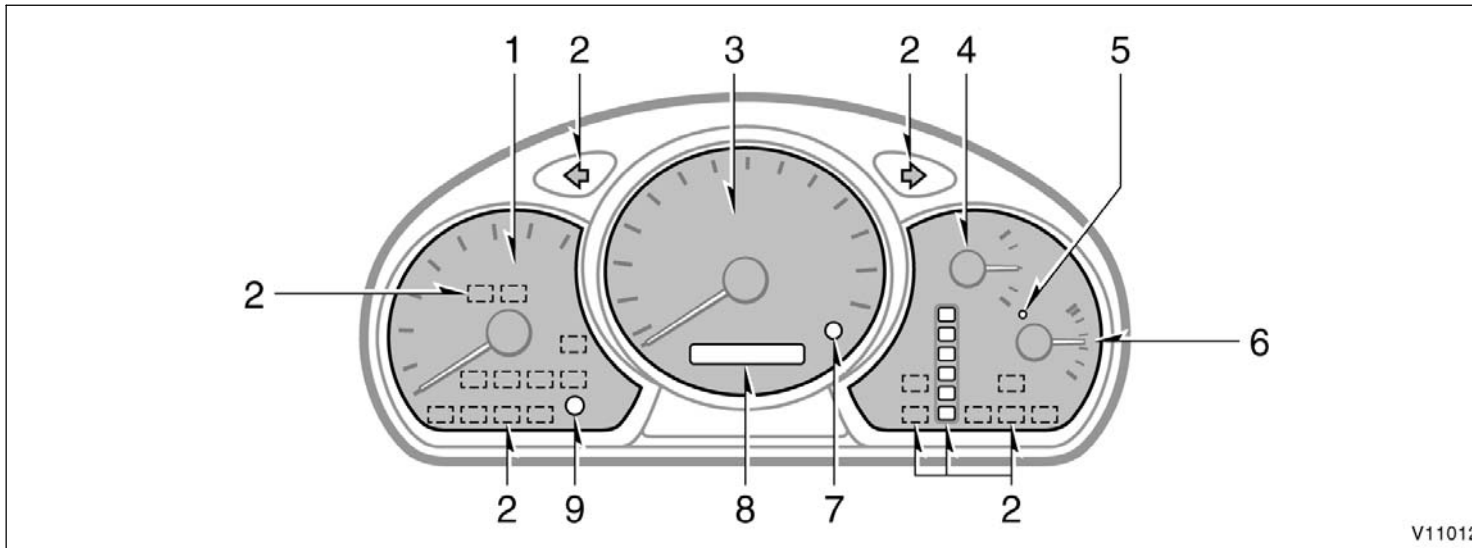
1. Headlight, turn signal and front fog light switches
2. Wiper and washer switches
3. Emergency flasher switch
4. Clock
5. Front passenger's seat belt reminder light
6. Air conditioning controls and multi-information display
7. Rear window defogger switch
8. Car audio
9. Cigarette lighter (vehicles with rear console) or power outlet (vehicles without rear console)
10. Snow mode button
11. Seat heater switches
12. Power outlet (vehicles with rear console) or cigarette lighter (vehicles without rear console)
13. Ignition switch
14. Cruise control switch
15. Tilt steering lock release lever
16. Traction control system off switch (two-wheel drive models)

'02 HIGHLANDER_U (L/O 0108)

17. Outside rear view mirror defogger and windshield wiper de-icer switches
18. Theft deterrent system/Engine immobiliser system indicator light
19. Power rear view mirror control switches

'02 HIGHLANDER_U (L/O 0108)

Instrument cluster overview






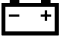







V11012




- | | | |
|-----------------------------------------------------|-------------------------------------|----------------------------------------|
| 1. Tachometer | 4. Fuel gauge | 7. Trip meter reset knob |
| 2. Service reminder indicators and indicator lights | 5. Low fuel level warning light | 8. Odometer and two trip meters |
| 3. Speedometer | 6. Engine coolant temperature gauge | 9. Instrument panel light control knob |

'02 HIGHLANDER_U (L/O 0108)

Indicator symbols on the instrument panel

<p>BRAKE or </p>	Brake system warning light*1	<p>ABS or </p>	Anti-lock brake system warning light*1
	Driver's seat belt reminder light*1		Open door warning light*1
	Front passenger's seat belt reminder light*1	A/T OIL TEMP	Automatic transmission fluid temperature warning light*1
	Discharge warning light*1		SRS warning light*1
	Low engine oil pressure warning light*1	VSC	Vehicle skid control system warning light*1
 CHECK or 	Malfunction indicator lamp*1		Low windshield washer fluid level warning light*1
		TRAC OFF	Traction control system off indicator light

'02 HIGHLANDER_U (L/O 0108)

	Headlight high beam indicator light
	Turn signal indicator lights
P R N D 2 L	Automatic transmission indicator lights
O/D OFF	Overdrive-off indicator light
ECT SNOW	Snow mode indicator light
	Slip indicator light
CRUISE	Cruise control indicator light* ²

*1: For details, see "Service reminder indicators and warning buzzers" on page 102 in Section 1-5.

*2: If this light flashes, see "Cruise control" on page 122 in Section 1-6.