

SECTION 1-1

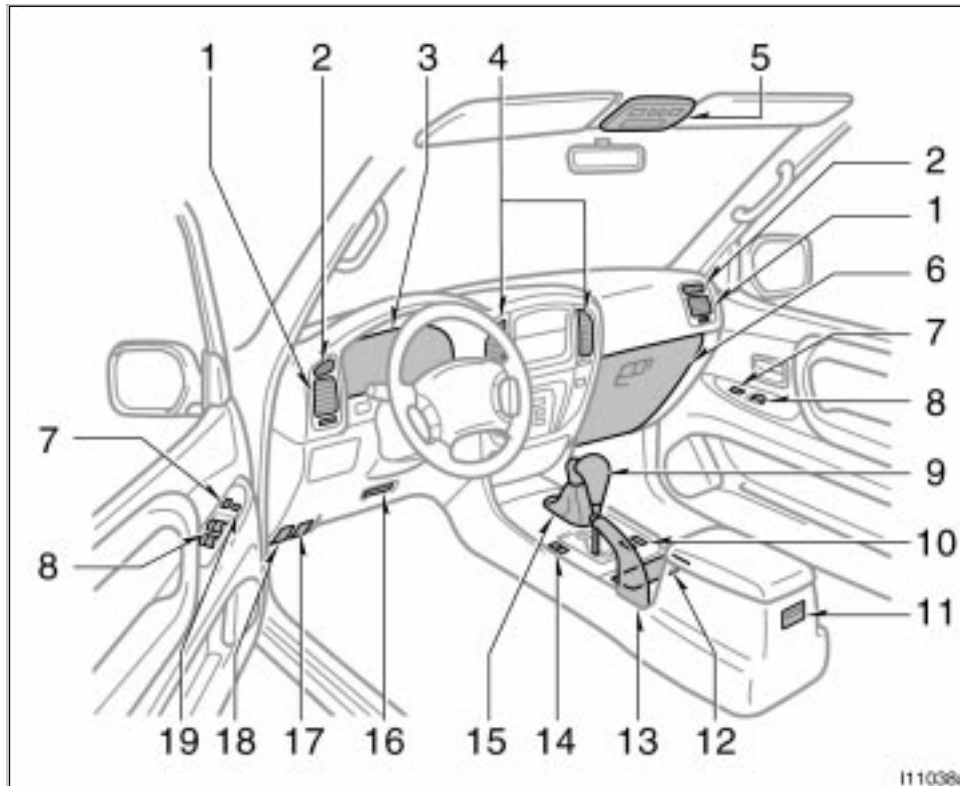
OPERATION OF INSTRUMENTS AND CONTROLS

Overview of instruments and controls

Instrument panel overview	2
Instrument cluster overview	5
Indicator symbols on the instrument panel	6

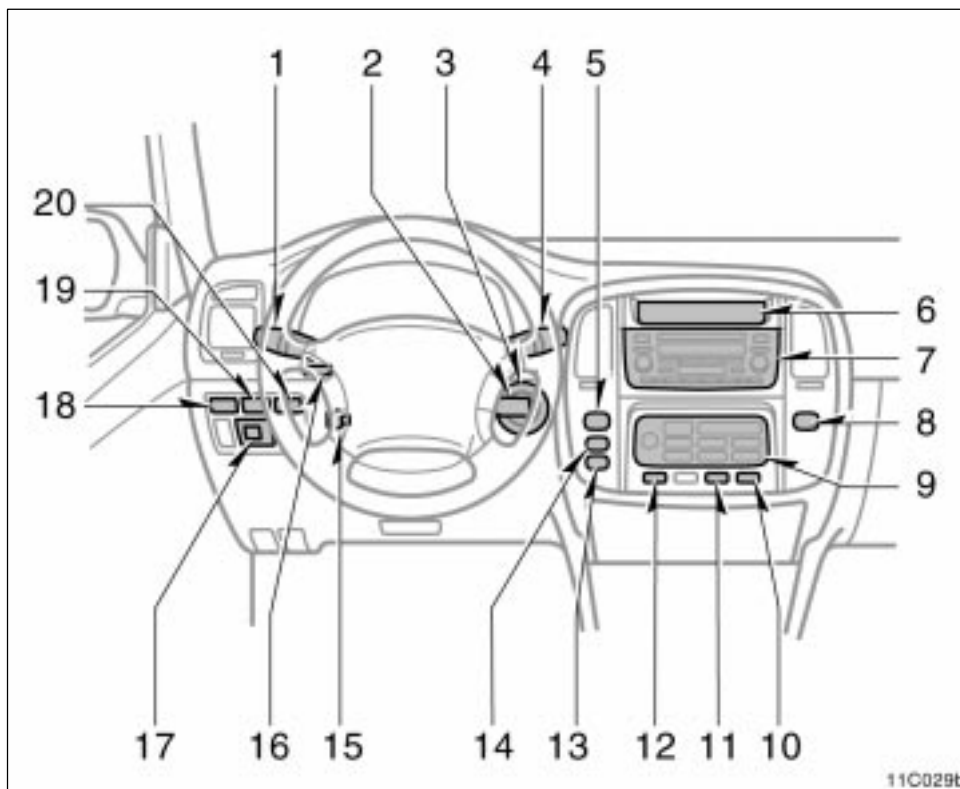
Instrument panel overview

►View A



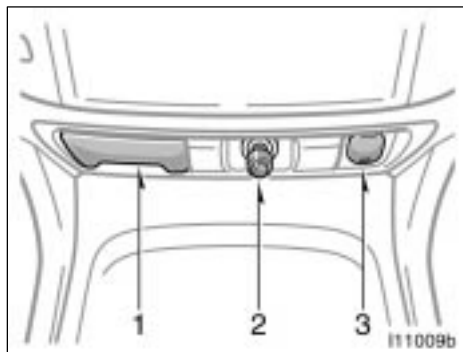
1. Side vents
2. Side defroster outlets
3. Instrument cluster
4. Center vents
5. Electric moon roof switches and/or personal lights
6. Glove box
7. Power door lock switches
8. Power window switches
9. Automatic transmission selector lever
10. Seat heater switches
11. Rear seat audio system
12. Cup holder
13. Parking brake lever
14. Second start mode selector button and driving pattern selector button
15. Four-wheel drive control lever
16. Lower vent
17. Hood lock release lever
18. Fuel filler door opener
19. Window lock switch

►View B



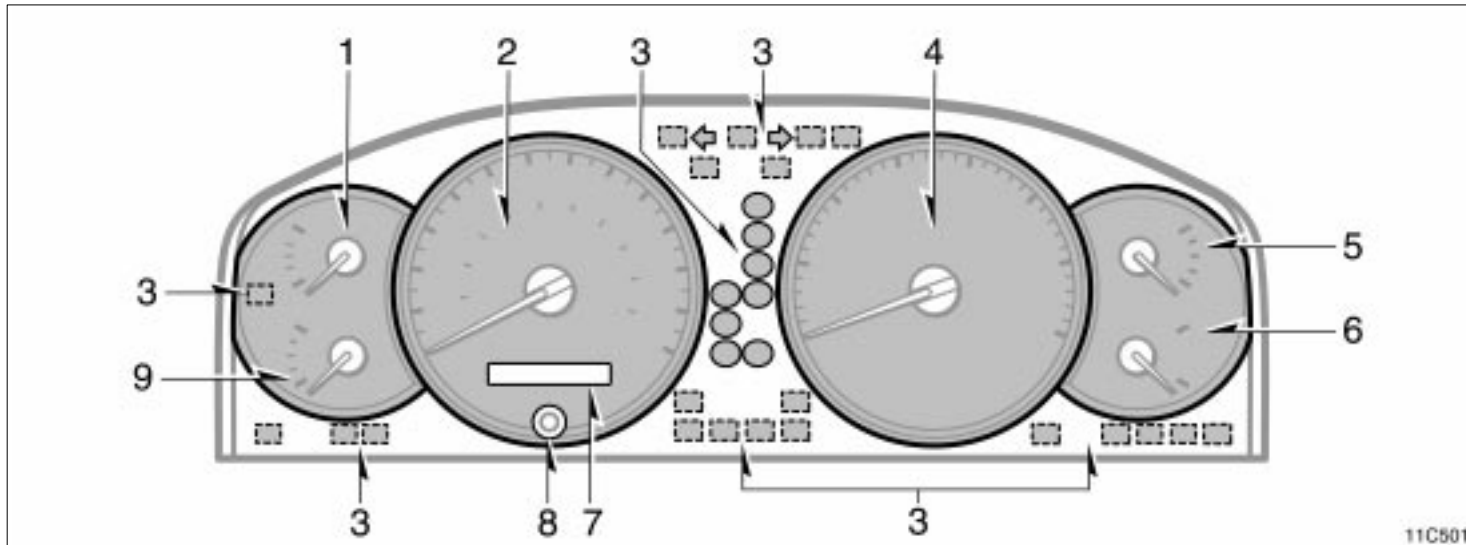
1. Headlight, turn signal and front fog light switches
2. Cruise control switch
3. Ignition switch
4. Wiper and washer switches
5. Emergency flasher switch
6. Clock, outside temperature and trip information display
7. Car audio
8. Front passenger's seat belt reminder light
9. Air conditioning controls
10. Outside rear view mirror heater switch
11. Rear air conditioning switch
12. Rear window defogger switch
13. Center differential lock switch
14. Power antenna switch
15. Power tilt and telescopic steering switch
16. Instrument panel light control dial
17. Power rear view mirror control switches
18. Power quarter window switch (left-hand side)
19. Power quarter window switch (right-hand side)
20. Roll sensing of curtain shield airbags off switch

► Lower part of center cluster panel



1. Ashtray
2. Cigarette lighter
3. Power outlet

Instrument cluster overview


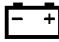










- 1. Voltmeter
- 2. Speedometer
- 3. Service reminder indicators and indicator lights

- 4. Tachometer
- 5. Engine oil pressure gauge
- 6. Engine coolant temperature gauge

- 7. Odometer and two trip meters
- 8. Trip meter reset knob
- 9. Fuel gauge

Indicator symbols on the instrument panel

BRAKE	Brake system warning light*1	A/T P	Unengaged "Park" warning light*1
	Driver's seat belt reminder light*1	A/T OIL TEMP	Automatic transmission fluid temperature warning light*1
	Discharge warning light*1		Turn signal indicator lights
MAINT REQD	Engine oil replacement reminder light		Headlight high beam indicator light
	Malfunction indicator lamp*1	ECT PWR	Driving pattern ("POWER" mode) indicator light
	Low fuel level warning light*1	2nd STRT	Automatic transmission second start indicator light
	SRS warning light*1		Center differential lock indicator light
ABS	Anti-lock brake system warning light*1	CRUISE	Cruise control indicator light*2
	Open door warning light*1	PRND 432L	Automatic transmission indicator lights

VSC OFF	Vehicle skid control system off indicator light*1
VSC TRAC	Vehicle skid control system and active traction control system warning light*1
TRAC	Active traction control system indicator light
	Slip indicator light
RSCA OFF	Roll sensing of curtain shield airbags off indicator light*3

*1: For details, see "Service reminder indicators and warning buzzers" on page 118.

*2: If this light flashes, see "Cruise control" on page 138.

*3: For details, see "Roll sensing of curtain shield airbags off switch" on page 65.

