

SECTION 1-1

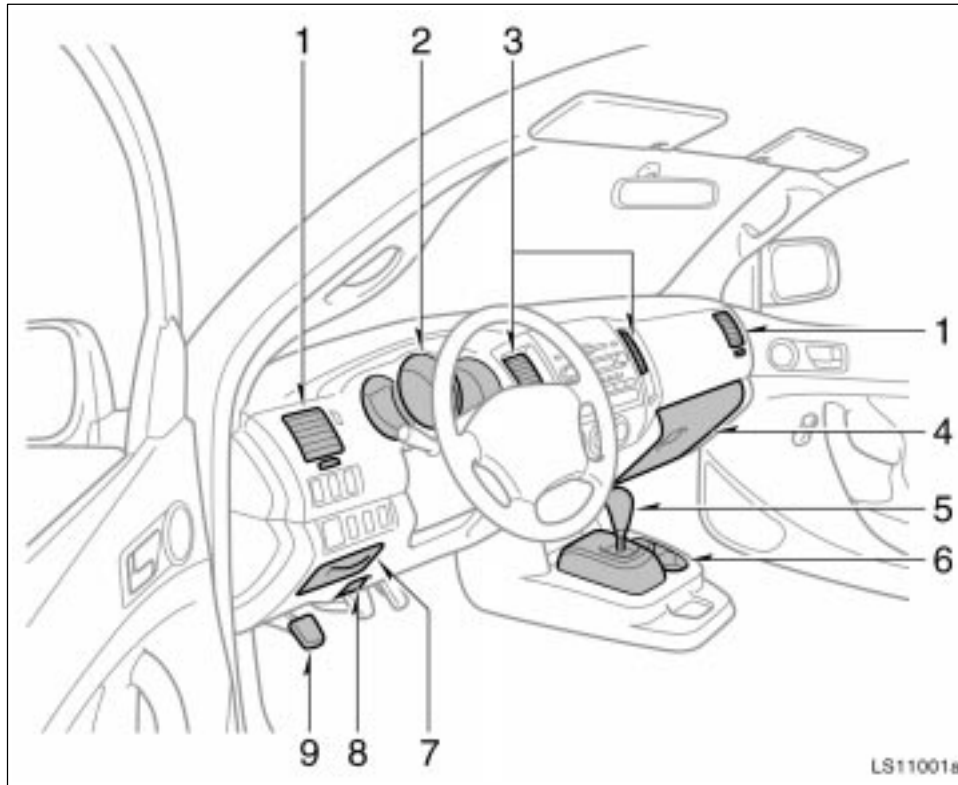
OPERATION OF INSTRUMENTS AND CONTROLS

Overview of instruments and controls

Instrument panel overview	2
Instrument cluster overview	7
Indicator symbols on the instrument panel	8

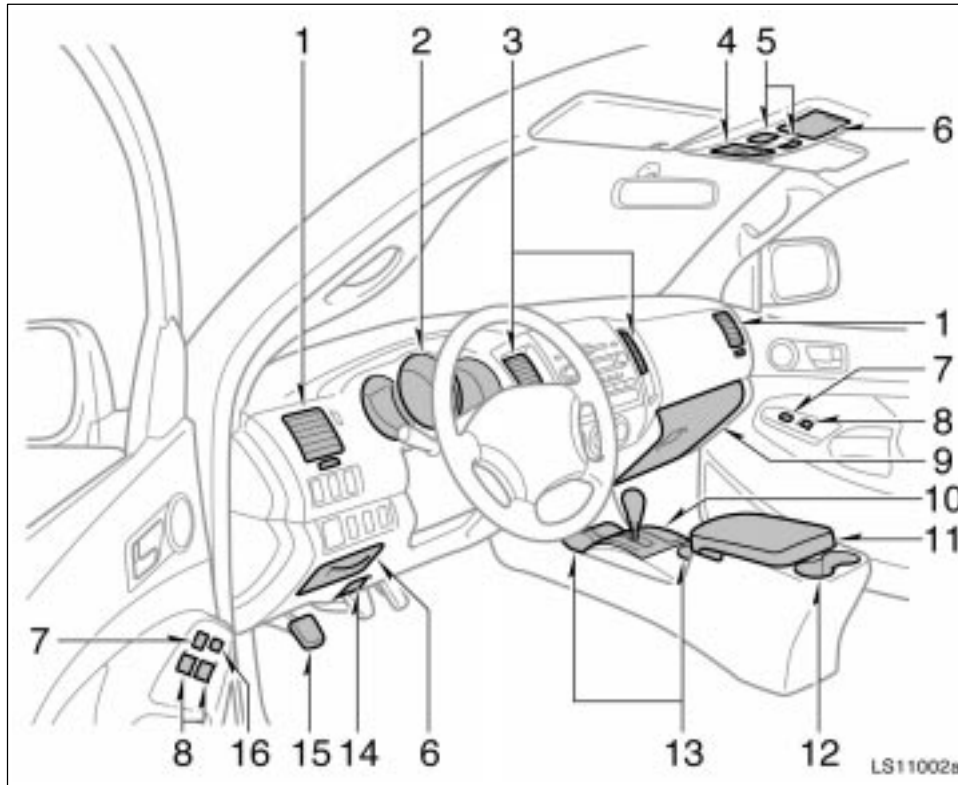
Instrument panel overview

►Bench seat



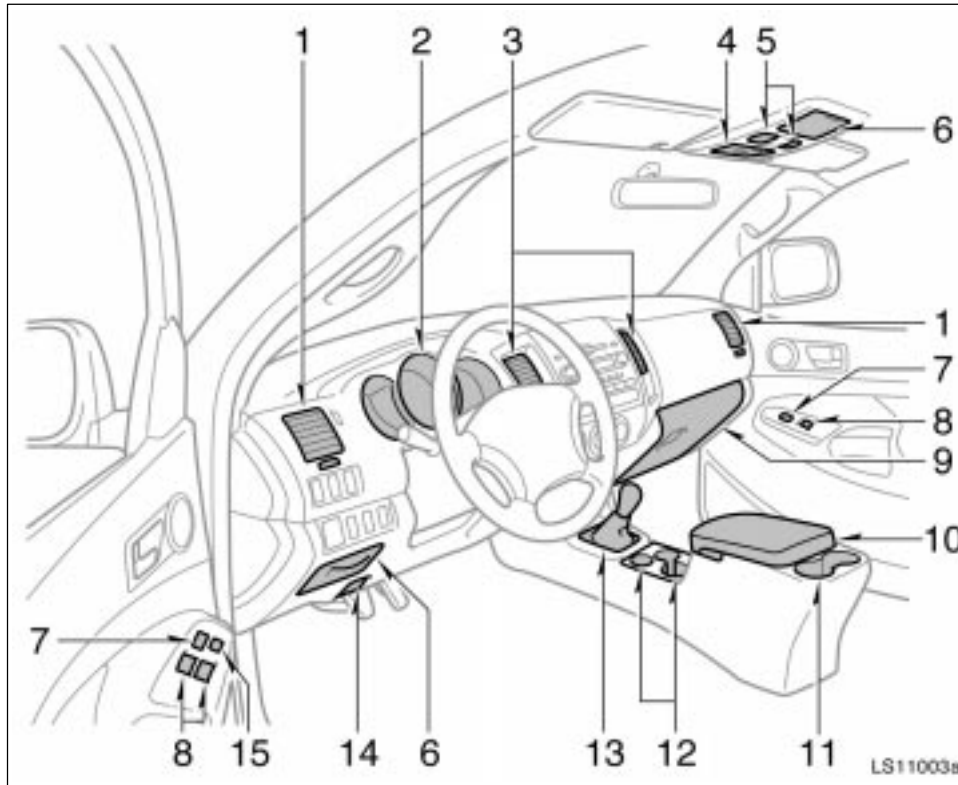
1. Side vents
2. Instrument cluster
3. Center vents
4. Glove box
5. Automatic transmission selector lever
or manual transmission gear shift lever
6. Cup holders
7. Auxiliary box
8. Hood lock release lever
9. Parking brake pedal
(automatic transmission)

► Separate seats with automatic transmission

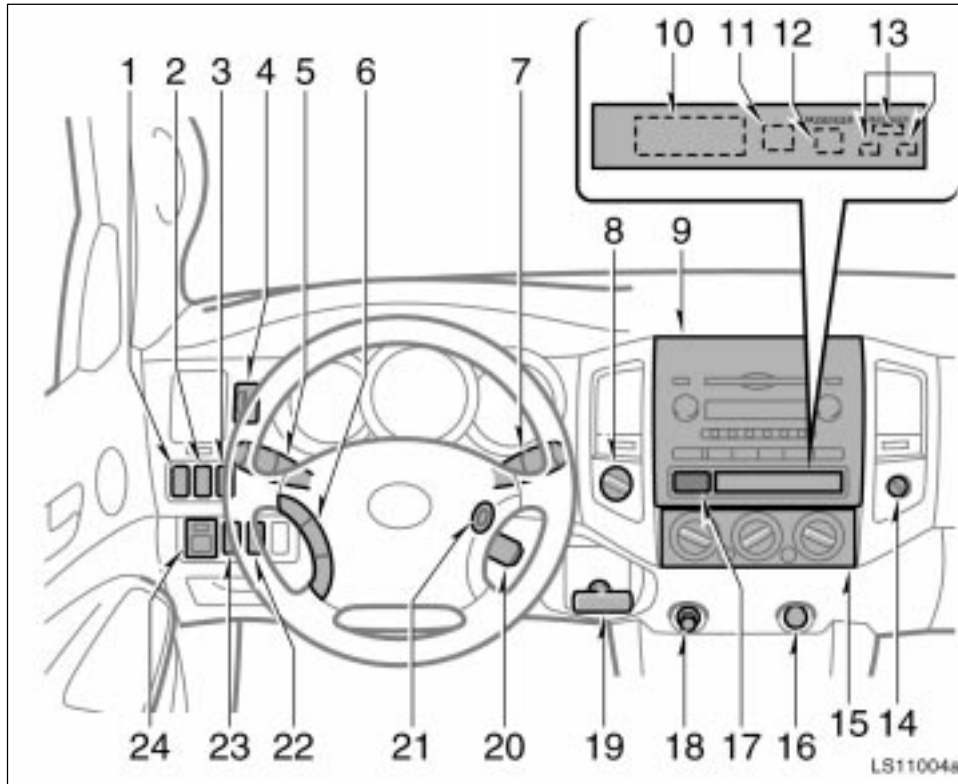


1. Side vents
2. Instrument cluster
3. Center vents
4. Garage door opener box or accessory meter
5. Personal lights
6. Auxiliary boxes
7. Power door lock switches
8. Power window switches
9. Glove box
10. Automatic transmission selector lever
11. Rear console box
12. Bottle holders
13. Cup holders
14. Hood lock release lever
15. Parking brake pedal
16. Window lock switch

► Separate seats with manual transmission



1. Side vents
2. Instrument cluster
3. Center vents
4. Garage door opener box or accessory meter
5. Personal lights
6. Auxiliary boxes
7. Power door lock switches
8. Power window switches
9. Glove box
10. Rear console box
11. Bottle holders
12. Cup holders
13. Manual transmission gear shift lever
14. Hood lock release lever
15. Window lock switch

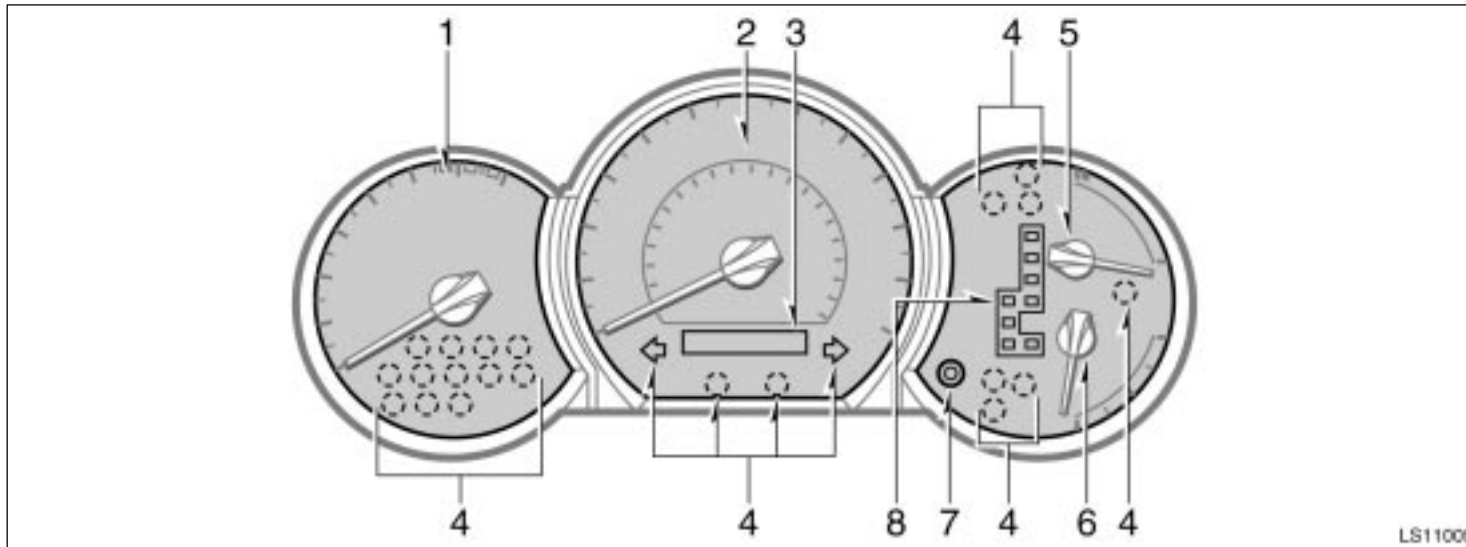


1. Front fog light switch
2. Rear differential lock switch or "AUTO LSD" switch
3. Power outlet main switch
4. Instrument panel light control dial
5. Headlight and turn signal switches
6. Audio remote control switches
7. Wiper and washer switches
8. Front drive control switch knob
9. Audio system
10. Clock
11. Engine immobilizer system indicator light
12. Front passenger's seat belt reminder light
13. Front passenger occupant classification indicator lights or passenger airbag on-off indicator lights
14. Passenger airbag manual on-off switch
15. Air conditioning controls
16. Power outlet
17. Emergency flasher switch
18. Cigarette lighter
19. Parking brake lever (manual transmission)

05 02.25


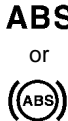



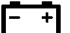




- 20. Cruise control switch
- 21. Ignition switch
- 22. Clutch start cancel switch
- 23. "DAC" switch
- 24. Power rear view mirror control switches

Instrument cluster overview



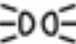








- | | | |
|---------------------------------|---|---|
| 1. Tachometer | 4. Service reminder indicators and indicator lights | 7. Trip meter reset knob |
| 2. Speedometer | 5. Engine coolant temperature gauge | 8. Shift position indicator lights (automatic transmission) |
| 3. Odometer and two trip meters | 6. Fuel gauge | |

Indicator symbols on the instrument panel

 BRAKE	Brake system warning light* ¹		ABS or Anti-lock brake system warning light* ¹
	Driver's seat belt reminder light* ¹		
PASSENGER 	Front passenger's seat belt reminder light* ¹		
PASSENGER AIRBAG OFF ON	Front passenger occupant classification indicator light or passenger airbag on-off indicator light		
	Discharge warning light* ¹		
	Low engine oil pressure warning light* ¹		
	Malfunction indicator lamp* ¹		Open door warning light* ¹
MAINT REQD	Engine oil replacement reminder light* ¹ (for vehicles sold in U.S.A.)		SRS warning light* ¹

05 02.25

A/T OIL TEMP	Automatic transmission fluid temperature warning light*1
	Engine immobilizer system indicator light*1
	Headlight low beam indicator light
	Tail light indicator light
	Headlight high beam indicator light
	Turn signal indicator lights
PRND 4 3 2 L	Automatic transmission indicator lights (5- speed)
PRND 3 2 L	Automatic transmission indicator lights (4- speed)
	Four-wheel drive indicator light*3

4LO	Low speed four-wheel drive indicator light*3
	Rear differential lock indicator light*4
	Slip indicator light
VSC OFF	Vehicle stability control system off indicator light
	Downhill assist control system indicator light
AUTO LSD	"AUTO LSD" indicator light
CRUISE	Cruise control indicator light*2

*1: For details, see "Service reminder indicators and warning buzzers" on page 147 in Section 1-6.

*2: If this light flashes, see "Cruise control" on page 187 in Section 1-7.

*3: If this light flashes, see "Four-wheel drive system" on page 169 in Section 1-7.

*4: If this light flashes, see "Rear differential lock system" on page 185 in Section 1-7.

05 02.25