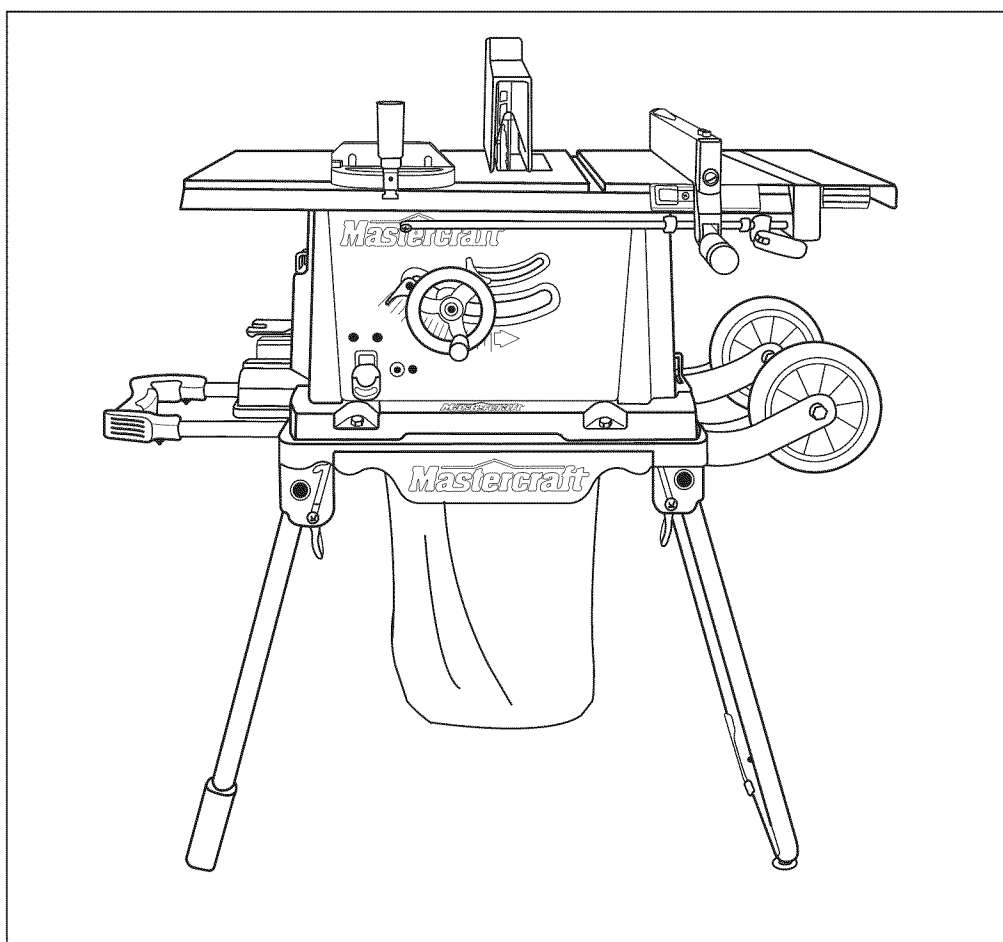


Mastercraft®

HAWKEYE **L A S E R**™ MC

10" TABLE SAW WITH LASER LINE

55-6883-2



Instruction Manual

Toll Free Helpline
1-866-881-7202

Table of contents

SECTION	PAGE
I. Technical data	2
II. General safety rules	3
III. Specific safety rules for the table saw	5
IV. Electrical information	7
V. Know your table saw	9
VI. Assembly and adjustments	10
VII. Operation	25
VIII. Maintenance	32
IX. Troubleshooting guide	33
X. Warranty	34
XI. Replacement parts	36

I. Technical data

10" TABLE SAW WITH LASER LINE

MOTOR:	13 A, 120 V, 60 Hz, 5000 RPM (No load speed)
TABLE EXTENSION:	YES
EXTENSION FENCE CAPACITY:	24" Right
BLADE SIZE:	10"
MAXIMUM DEPTH OF CUT AT 90°:	3"
MAXIMUM DEPTH OF CUT AT 45°:	2 ½"
MAXIMUM WIDTH OF DADO:	½"
DADO TYPE:	Stackable only (MAX. 1/2" width)

II. General safety rules

Safety is a combination of common sense, staying alert and knowing how your table saw works.

WARNING: TO AVOID MISTAKES THAT COULD CAUSE SERIOUS INJURY, DO NOT PLUG IN THE TABLE SAW UNTIL THE ENTIRE INSTRUCTION MANUAL HAS BEEN READ AND FULLY UNDERSTOOD.

1. READ and become familiar with this entire instruction manual. LEARN the tool's applications, limitations and possible hazards.
2. AVOID DANGEROUS CONDITIONS. DO NOT use power tools in wet or damp areas or expose them to rain. Keep work areas well-lit.
3. DO NOT use power tools in the presence of flammable liquids or gas.
4. ALWAYS keep your work area clean, uncluttered and well-lit. DO NOT work on floor surfaces that are slippery with sawdust or wax.
5. KEEP BYSTANDERS AT A SAFE DISTANCE FROM the work area, especially when the tool is operating. NEVER allow children near the tool.
6. DO NOT FORCE THE TOOL to do a job for which it was not designed.
7. DRESS FOR SAFETY. DO NOT wear loose clothing, gloves, neckties or jewellery (rings, watches,) when operating the tool. They can get caught and draw you into moving parts. ALWAYS wear non-slip footwear and tie back long hair.
8. WEAR A FACE MASK OR DUST MASK. Tool operation produces dust.
9. ALWAYS remove the power cord plug from the electrical source when making adjustments, changing parts, cleaning or performing maintenance on the tool.
10. KEEP GUARDS IN PLACE AND IN WORKING ORDER.
11. AVOID ACCIDENTAL START-UPS. Make sure the power switch is in the OFF position before plugging in the power cord.
12. REMOVE ADJUSTING TOOLS. ALWAYS MAKE SURE all tools are removed from the table saw before turning it on.

SAVE THESE SAFETY INSTRUCTIONS

II. General safety rules ... continued

13. NEVER LEAVE POWER SWITCH ON WHILE UNATTENDED. Turn the power switch to OFF. DO NOT leave the tool until it has come to a complete stop.
14. NEVER STAND ON THE TOOL. Serious injury could result if the tool tips or is accidentally hit. DO NOT store anything above or near the tool.
15. DO NOT OVERREACH. Keep proper footing and balance at all times. Wear oil-resistant rubber-soled footwear. Keep the floor clear of oil, scrap and other debris.
16. MAINTAIN TOOLS PROPERLY. ALWAYS keep tools clean and in good working order. Follow instructions for lubricating and changing accessories.
17. CHECK FOR DAMAGED PARTS. Check moving parts for alignment, jamming, breakage, improper mounting or any other condition that may affect the tool's operation. Any part that is damaged should be properly repaired or replaced before use.
18. MAKE THE WORKSHOP CHILDPROOF. Use padlocks, master switches and ALWAYS remove starter keys.
19. DO NOT operate the tool if you are under the influence of drugs, alcohol or medication that could affect your ability to use the tool properly.
20. WHEN SERVICING USE ONLY IDENTICAL REPLACEMENT PARTS.
21. DO NOT ALLOW OTHERS TO USE OR OPERATE THIS TABLE SAW UNTIL THEY HAVE READ AND FULLY UNDERSTOOD THIS INSTRUCTION MANUAL.

WARNING: DUST GENERATED FROM CERTAIN MATERIALS CAN BE HAZARDOUS TO YOUR HEALTH. ALWAYS OPERATE THE TABLE SAW IN A WELL-VENTILATED AREA AND PROVIDE FOR PROPER DUST REMOVAL. USE DUST COLLECTION SYSTEMS WHENEVER POSSIBLE.



ALWAYS WEAR EYE PROTECTION.

A table saw can throw foreign objects into your eyes which could CAUSE permanent eye damage. ALWAYS wear safety goggles (not glasses). Ordinary eyeglasses have only impact-resistant lenses...they are NOT safety goggles.

SAVE THESE SAFETY INSTRUCTIONS

III. Specific safety rules for the table saw

BEFORE USING THE TABLE SAW WITH LASER LINE

WARNING: DO NOT OPERATE YOUR TABLE SAW UNTIL IT IS COMPLETELY ASSEMBLED AND INSTALLED ACCORDING TO THE INSTRUCTIONS

1. ALWAYS USE THE SAW BLADE GUARD, splitter and anti-kickback pawls for every operation for which they can be used, including through-sawing. Through-sawing operations are those in which the blade cuts completely through the workpiece when ripping or cross-cutting.
2. ALWAYS HOLD WORK FIRMLY against the mitre gauge or rip fence.
3. USE A PUSH STICK when required, especially when ripping narrow stock. Refer to ripping applications in the instruction manual where the push stick is covered in detail. A pattern for making your own push stick is included.
4. **NEVER PERFORM ANY OPERATION “FREE HAND”- this means using only your hands to support or guide the workpiece. Always use either the rip fence or the mitre gauge to position and guide the workpiece.**

WARNING: FREE HAND CUTTING IS THE MAJOR CAUSE OF KICK-BACK & FINGER/HAND AMPUTATIONS.

5. NEVER STAND or have any part of your body in line with the path of the saw blade. Keep your hands out of the saw blade path.
6. NEVER REACH behind or over the table saw for any reason.
7. REMOVE the rip fence when cross cutting.
8. DO NOT USE a moulding head with this saw.
9. FEED WORK INTO THE BLADE against the direction of rotation only.
10. NEVER use the rip fence as a cut-off gauge when cross-cutting.
11. NEVER ATTEMPT TO FREE A STALLED SAW BLADE without first turning the table saw OFF and unplugging the table saw. Immediately, turn the power switch OFF to prevent motor damage.
12. PROVIDE ADEQUATE SUPPORT to the rear and the sides of the work table for long or wide workpieces.

SAVE THESE SAFETY INSTRUCTIONS

III. Specific safety rules for the table saw

... continued

13. **AVOID KICKBACKS** (work thrown back towards you) by keeping the blade sharp, the rip fence parallel to the saw blade and by keeping the splitter, anti-kickback pawls and guards in place, aligned and functioning. Do not release workpiece before it has passed beyond the saw blade's cutting arc. Do not rip pieces that are twisted, warped or that do not have a straight edge to guide it along the rip fence.
14. **AVOID AWKWARD OPERATIONS** and hand positions where a sudden slip could cause your hand to move into the saw blade.
15. **NEVER USE SOLVENTS** to clean plastic parts. Solvents could possibly dissolve or otherwise damage plastic parts. Only a soft damp cloth should be used to clean plastic parts.
16. **MOUNT** your table saw on a work bench or stand before performing any cutting operations. Refer to **ASSEMBLY** instructions.
17. **NEVER CUT METALS** or materials which may make hazardous dust.
18. **ALWAYS USE IN WELL VENTILATED AREA.** Remove sawdust frequently. Clean out sawdust from the interior of the saw to prevent a potential fire hazard.
19. **NEVER LEAVE THE SAW** running unattended. Do not leave the work area until the saw comes to a complete stop.
20. For proper operation follow the instructions in this Instruction Manual (Page 23). Failure to provide sawdust fall-through and removal hole will cause sawdust to build up in the motor area resulting in a fire hazard and potential motor damage.

SAVE THESE SAFETY INSTRUCTIONS

IV. Electrical information

GROUNDING INSTRUCTIONS

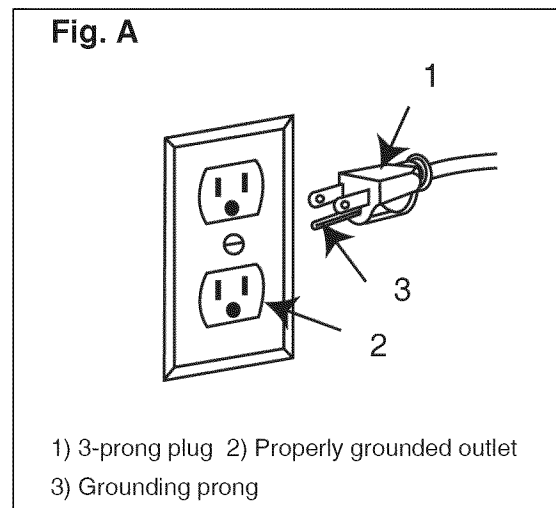
IN THE EVENT OF A MALFUNCTION OR BREAKDOWN, grounding provides a path of least resistance for electric current and reduces the risk of electric shock. This tool is equipped with an electric cord that has an equipment grounding conductor and a grounding plug. The plug **MUST** be plugged into a matching outlet that is properly installed and grounded in accordance with ALL local codes and ordinances.

DO NOT MODIFY THE PLUG PROVIDED. If it will not fit the outlet, have the proper outlet installed by an electrician.

IMPROPER CONNECTION of the equipment grounding conductor can result in electric shock. The conductor with the green insulation (with or without yellow stripes) is the equipment grounding conductor. If repair or replacement of the electric cord or plug is necessary, **DO NOT** connect the equipment grounding conductor to a live terminal.

CHECK with a qualified electrician or service personnel if you do not completely understand the grounding instructions, or if you are not sure if the tool is properly grounded.

USE ONLY EXTENSION CORDS that have 3-pronged plugs. Only plug into 3-pronged outlets that accept the tool's plug as shown in Fig. A. Repair or replace damaged or worn cords immediately.



CAUTION: IN ALL CASES, MAKE CERTAIN THE RECEPTACLE IN QUESTION IS PROPERLY GROUNDED. IF YOU ARE NOT SURE IT IS, HAVE A CERTIFIED ELECTRICIAN CHECK THE RECEPTACLE.

SAVE THESE SAFETY INSTRUCTIONS

IV. Electrical information ... continued

GUIDELINES FOR USING EXTENSION CORDS

WARNING: THIS TABLE SAW IS FOR INDOOR USE ONLY. DO NOT EXPOSE TO RAIN OR USE IN DAMP LOCATIONS.

Make sure the extension cord is in good condition. When using an extension cord, be sure to use one heavy enough to carry the current your product will draw. An undersized cord will cause a drop in line voltage resulting in loss of power and overheating. The table below shows the correct size to be used according to cord length and nameplate ampere rating. If in doubt, use the next heavier gauge. The smaller the gauge number, the heavier the cord.

MINIMUM GAUGE FOR EXTENSION CORDS (AWG)					
(when using 120 V only)					
Ampere Rating		Total length of cord in feet			
More Than	Not More Than	25'	50'	100'	150'
0	6	18'	16'	16'	14'
6	10	18'	16'	14'	12'
10	12	16'	16'	14'	12'
12	16	14'	12'	Not Recommended	

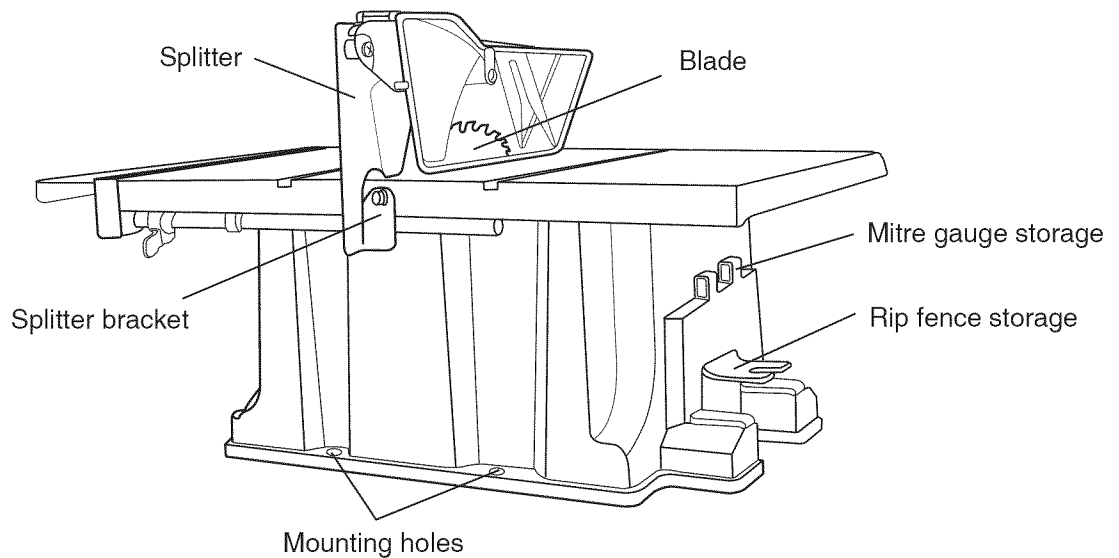
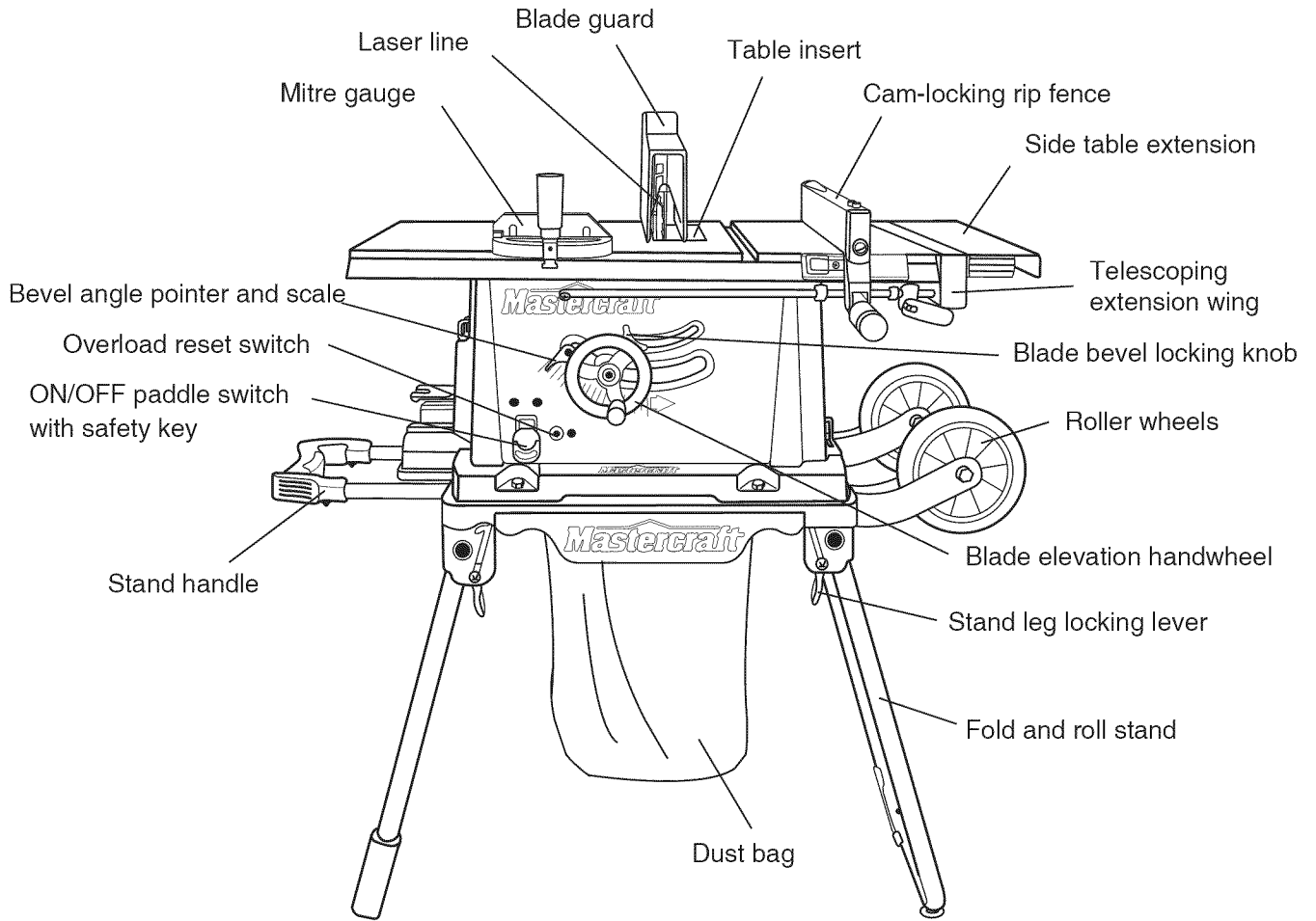
Make sure your extension cord is properly wired and in good condition. Always replace a damaged extension cord or have it repaired by a qualified person before using it. Protect your extension cords from sharp objects, excessive heat and damp or wet areas.

Use a separate electrical circuit for your tools. This circuit must not be less than a #12 wire with a 20 A time lag fuse or a #14 wire with a 15 A time lag fuse. Before connecting the motor to the power line, make sure the switch is in the OFF position and the electric current is rated the same as the current stamped on the motor nameplate. Running at a lower voltage will damage the motor.

WARNING: THIS TOOL MUST BE GROUNDED WHILE IN USE TO PROTECT THE OPERATOR FROM ELECTRIC SHOCK.

SAVE THESE SAFETY INSTRUCTIONS

V. Know your table saw



VI. Assembly and adjustments

UNPACKING

1. Carefully remove the table saw from the carton.
2. Separate the parts.
3. Lay out all the parts and check them against the parts listed below.
Examine all parts carefully.

WARNING: IF ANY PART IS MISSING OR DAMAGED, DO NOT PLUG IN THE TABLE SAW UNTIL YOU HAVE REPLACED THE MISSING OR DAMAGED PARTS. CALL THE TOLL FREE HELPLINE AT 1-866-881-7202 FOR MORE INFORMATION.

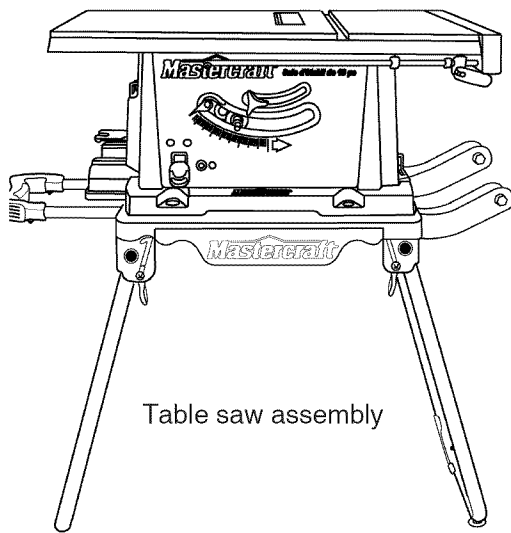
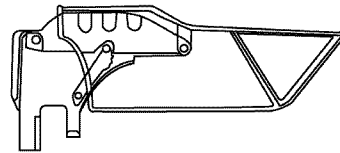


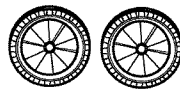
Table saw assembly



Blade guard and splitter with laser



Blade guard mounting bolt, washers and mounting screw



Roller wheels



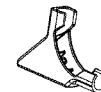
Nuts



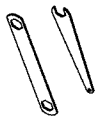
screw



Square neck mounting bolts



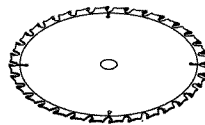
Leveling pad



Blade wrenches



Hex key



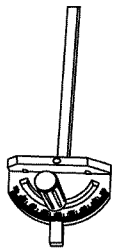
Blade



Blade elevation handwheel



Nut



Miter gauge

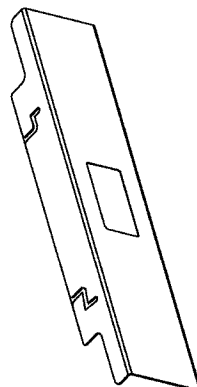
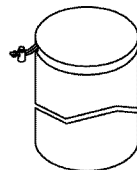


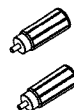
Table extension fence



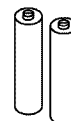
Dust bag



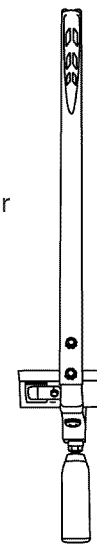
Washer



Lock handles



Batteries



Rip fence

VI. Assembly and adjustments ... continued

INSTALLING BATTERIES FOR THE LASER LINE (Fig. 1)

1. Lift the blade guard (1) up. Remove the locking screw to open the cover of the battery box (2) with a ⊕ #0 screwdriver.
2. Install two “AAA” batteries into the battery box .
3. Close the cover (2) and replace the locking screw and tighten securely.
4. Turn on the switch (3) to see the laser cutting guide.

THE LASER LINE

Your tool is equipped with a Hawkeye™ Laser Line, a battery powered laser cutting guide. The laser line will enable you to anticipate the saw blade's path on the workpiece to be cut before you begin.

WARNING: The laser beam is emitted when the laser line is turned on. Do not stare into the beam or view directly with optical instruments. Do not remove the warning label affixed to the blade guard. Avoid direct eye contact with the laser beam.

NOTE

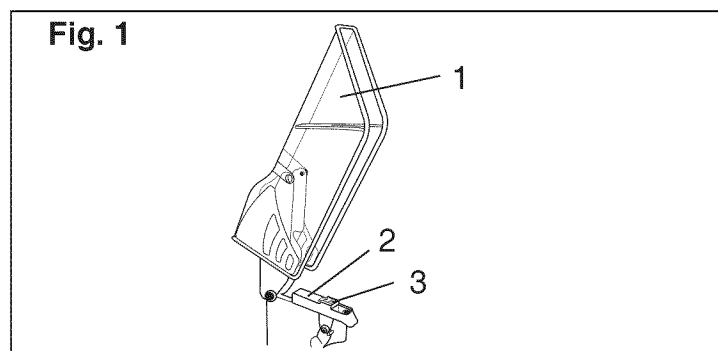
- A laser beam is not a toy and should not be used by children. Misuse of this laser line can lead to irreparable eye damage.
- Any adjustments to increase the laser power are forbidden.
- When using the laser line, do not point the laser beam towards people and/or reflecting surfaces. Even a laser beam of low intensity may cause eye damage. Therefore, do not look directly into the laser beam.
- If the Laser Line will not be used for more than three months, remove the batteries to avoid damage from possible leakage.
- The laser line includes no user-serviceable components. Never open the housing in an attempt to repair.
- Repairs should only be carried out by a service centre or an authorized service agent.

CAUTION. LASER RADIATION.

Do not stare into beam or view directly with optical instruments.

Maximum output: < 5 mW Wavelength: 650 nm

Complies with 21 CFR 1040.10 and 1040.11 class IIIA Laser Product.



VI. Assembly and adjustments ... continued

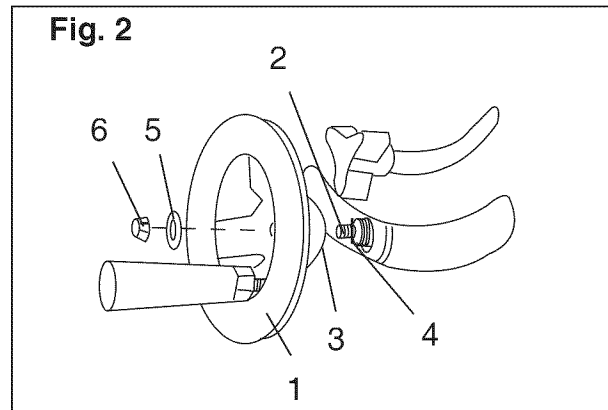
Keeping Work Areas Clean

- Accumulated sawdust and wood chips can pose a safety hazard.
- Pick up and dispose of accumulated sawdust and debris before each cutting operation.

WARNING: ALWAYS KEEP YOUR WORK AREA CLEAN, UNCLUTTERED AND WELL-LIT. DO NOT WORK ON FLOOR SURFACES THAT ARE SLIPPERY FROM ACCUMULATED SAWDUST, DEBRIS OR WAX.

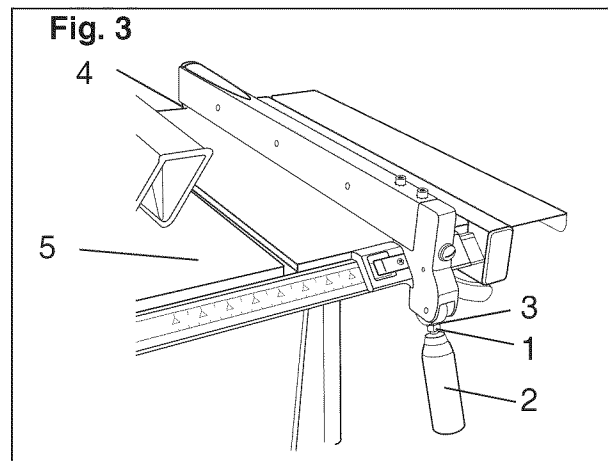
ASSEMBLE BLADE RAISING AND TILTING HANDWHEEL (Fig. 2)

1. Attach blade raising and tilting hand wheel (1) to the height-regulating bolt (2). Make sure the slot (3) in the hand wheel hub is engaged with the roll pin (4) in the height-regulating bolt.
2. Fasten hand wheel to height-regulating bolt with flat washer (5) and dome nut (6).



CAM-LOCKING RIP FENCE (Fig. 3)

1. Thread the rip fence locking handle (2) into the threaded hole (3) of the fence and lock in place by tightening the nut (1) against the fence head.
2. Lift upward on rip fence locking handle (2) so the rear holding clamp (4) is fully extended.
3. Place the rip fence on the saw table (5), engaging the rear fence clamp first then lowering the front end onto the table.
4. Push down on the rip fence locking handle (2) to lock.



VI. Assembly and adjustments ... continued

WARNING: TO AVOID INJURY FROM AN ACCIDENTAL START, MAKE SURE THE POWER SWITCH IS IN THE "OFF" POSITION, THE REMOVABLE SAFETY KEY IS REMOVED AND THE PLUG IS NOT CONNECTED TO THE POWER SOURCE. TO AVOID SERIOUS INJURY, THE REAR OF THE TABLE INSERT MUST BE FLUSH TO THE TABLE DURING ALL SAWING OPERATIONS. A RUBBER ADJUSTING SPACER IS PROVIDED UNDER THE REAR OF THE INSERT FOR THIS PURPOSE.

INSTALL BLADE TO ARBOR (Fig. 5, 6 & 7)

1. Remove the table insert (1) by removing the two screws (2 & 3) that hold it in place (Fig. 5).

NOTE: Be careful not to lose the rubber washer that is on the back screw (3), beneath the insert.

2. Raise saw blade arbor (4) to its maximum height by turning the blade raising handwheel counter-clockwise. Remove the arbor nut (5) and outer flange (6) from the saw arbor.
3. Place the saw blade on the arbor, making sure the teeth of the blade point DOWN toward the front of the table.
4. Place the flange (6) and arbor nut (5) on the arbor and hand-tighten the nut, making sure the saw blade is firmly seated against the inner flange (7) (Fig. 6).

NOTE: Make sure large, flat surfaces of flange and nut face INWARD, toward the saw blade.

5. Place the open-end blade wrench (8) on the flat of the saw arbor to prevent the arbor from turning while tightening. Using the box-end blade wrench (9) tighten the arbor nut by turning it clockwise (Fig. 7).
6. Replace table insert with two screws (2 & 3) and adjust the rear screw so that the rear of the insert is flush to the table.

Fig. 5

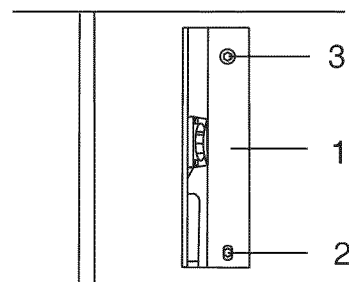


Fig. 6

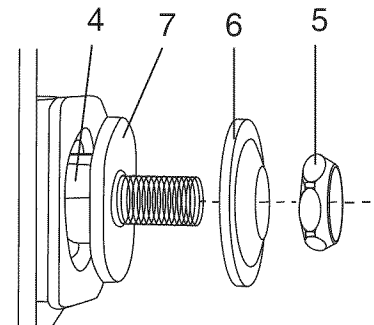
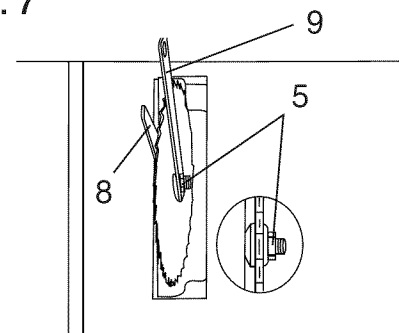


Fig. 7



MAKE SURE THE SAW BLADE, ARBOR FLANGE AND NUT ARE PROPERLY SEATED AND THAT THE ARBOR NUT IS TIGHT.

VI. Assembly and adjustments ... continued

WARNING: TO AVOID INJURY FROM AN ACCIDENTAL START, MAKE SURE THE SWITCH IS IN THE "OFF" POSITION AND THE PLUG IS NOT CONNECTED TO THE POWER SOURCE OUTLET.

ASSEMBLE BLADE GUARD (Fig. 8, 9 & 10)

MAKE SURE THE SAW IS DISCONNECTED FROM THE POWER SOURCE WHEN INSTALLING THE BLADE GUARD AND SPLITTER ASSEMBLY.

1. Set the blade to maximum height and the tilt to 0° on the bevel scale with the hand wheel. Lock the blade bevel lock knob.
2. Insert the hex bolt (1) into the two washers (2) and the splitter bracket (3). (Fig. 8)
3. Install the blade guard assembly (4) into the rear of the saw table. Thread the bolt (1) into the internally-threaded pivot rod until snug.
4. Insert screw (5) into the splitter bracket as shown. (Fig. 9)
5. Using a straight edge (7), check to see if the blade guard splitter (8) is aligned with the saw blade (9). Make sure the straight edge lies between the teeth of the blade when aligning. (Fig. 10)
6. If adjustment is necessary, loosen the bolts (1, 5) and shift the splitter assembly to right or left for proper alignment.
7. When the splitter is properly aligned with the saw blade, tighten the bolts.

NOTE: The blade guard and splitter must always be correctly aligned so that the cut workpiece will pass on either side without binding or twisting to the side.

Fig. 8

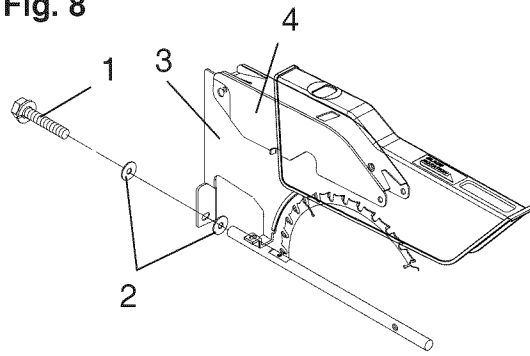


Fig. 9

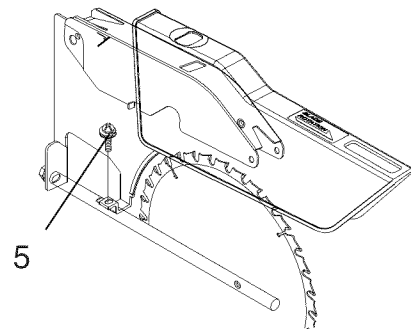
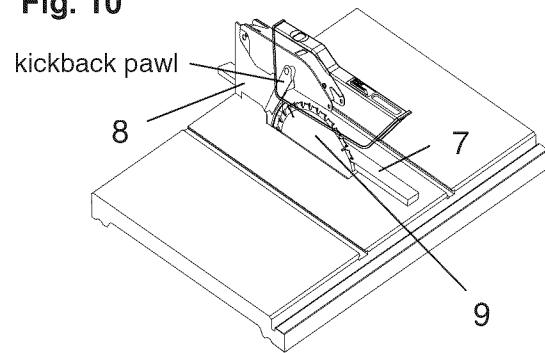


Fig. 10



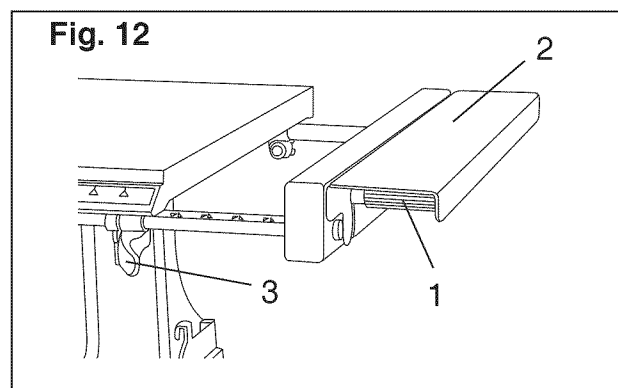
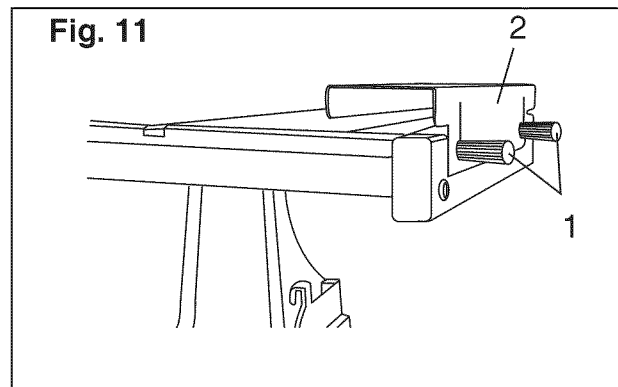
WARNING: Improper splitter alignment can cause "kickback" and serious injury.

VI. Assembly and adjustments ... continued

ASSEMBLE THE TABLE EXTENSION WING (Fig. 11, 12)

NOTE:

- A. For ripping 10—14" workpieces, the adjustable rip guide has to be installed in the IN-RIP position (Fig. 11). Raise the guide to a position that just clears the table surface and secure in place using lock handles (1).
 - B. For ripping 14—24" workpieces, the extension wing has to be installed in the OUT-RIP position (Fig. 12).
1. Install the locking handles (1) on the aluminum extension wing.
 2. Place the adjustable rip guide (2) on the aluminum extension wing.
 3. Raise the fence to the desired height and tighten the lock handles (1).



WARNING: To avoid injury from an accidental start, make sure the switch is in the OFF position and the plug is not connected to the power source, before making any adjustments.

ADJUSTING THE TABLE EXTENSION WING (Fig. 12)

To adjust the table extension wing position

1. Unlock the table extension levers (3) on the two extension tube brackets.
2. Slide the extension tubes in or out until the scale on the front tube is positioned at the desired distance. Lock the table extension levers (3).

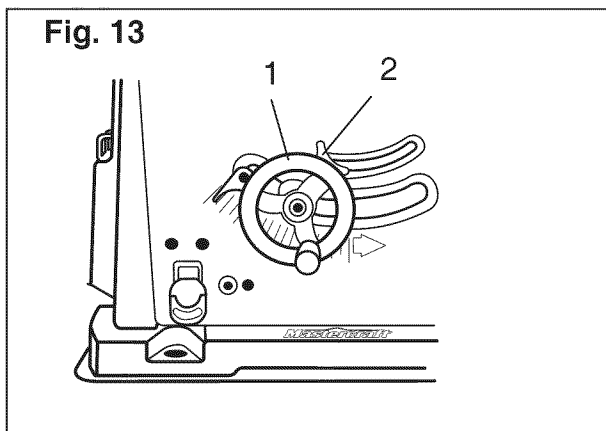
VI. Assembly and adjustments ... continued

BLADE TILTING MECHANISM

The saw blade can be tilted using two different methods.

RAPID BLADE TILTING (Fig. 13)

1. Loosen blade bevel locking knob (2).
2. Slide the entire handwheel assembly (1) to desired location.
3. Tighten blade bevel locking knob (2).
Ensure locking knob is fully tightened before attempting a cut.



MICRO-ADJUSTMENT BLADE TILTING (Fig. 13)

1. Loosen blade bevel locking knob (2).
2. Push handwheel (1) IN to engage the handwheel gears with the segment gear on the table saw base.
3. While holding handwheel IN, turn the handwheel to tilt the blade to the desired angle.
4. Tighten lock knob to secure bevel angle.

NOTE: Changing the blade angle can be done independently of changing blade height.

WARNING: BLADE BEVEL LOCKING KNOB (2) MUST BE FIRMLY TIGHTENED AND LOCKED DURING ALL CUTTING OPERATIONS.

BLADE HEIGHT ADJUSTMENT (Fig. 13)

To raise the saw blade, turn the handwheel (1) COUNTER-CLOCKWISE. To lower the blade, turn the handwheel CLOCKWISE.

NOTE: It is not necessary to loosen blade bevel locking knob (2) when raising or lowering the saw blade.

VI. Assembly and adjustments ... continued

WARNING: TO PREVENT PERSONAL INJURY:

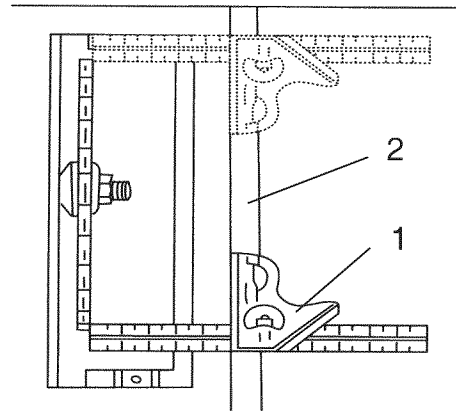
- ALWAYS DISCONNECT THE PLUG FROM POWER SOURCE WHEN MAKING ANY ADJUSTMENTS.
- ADJUSTMENTS MUST BE CORRECT OR KICKBACK COULD RESULT IN A SERIOUS INJURY AND ACCURATE CUTS CANNOT BE MADE.

BLADE PARALLEL TO THE MITRE GAUGE GROOVE (Fig. 18)

This adjustment was made at the factory, but it should be checked and adjusted if necessary.

1. Remove the safety switch key and unplug the saw.
2. Remove the blade guard for this procedure, reinstall and realign after adjustment.
3. Raise the blade to the highest position and set at the 0° angle (90° straight up).
4. Select and mark, with a felt tip marker, a blade tooth having a “right set” and rotate the blade so the marked tooth is ½” above the table at the front of the saw.
5. Place the combination square base (1) into the right side mitre gauge groove (2).
6. Adjust the ruler so that it touches the front marked tooth. Lock the ruler so it holds this position in the square assembly.
7. Rotate the blade bringing the marked tooth to the rear, about ½” above the table.
8. Carefully slide the combination square to the rear until the ruler touches the marked tooth.
9. If the ruler touches the marked tooth at the front and rear position indicating the same measurement, no adjustment is needed at this time. If not perform adjustment procedure described in next section.

Fig. 18



VI. Assembly and adjustments ... continued

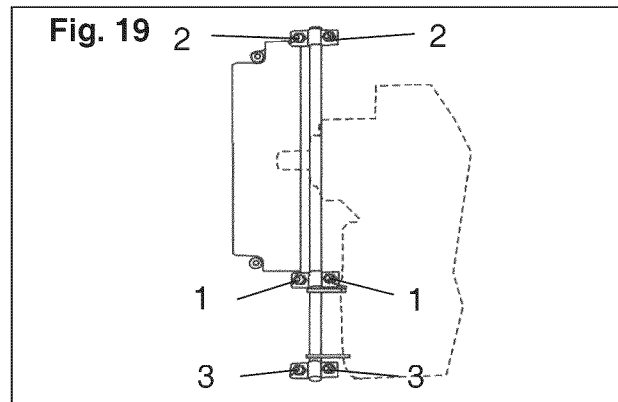
ADDITIONAL BLADE ADJUSTMENTS (Fig. 19)

TOOLS REQUIRED

- 10 mm open-end wrench or 10 mm combination wrench
- 4 mm hex key
- Framing square
- Medium size flat blade screwdriver

ADJUSTMENT PROCEDURE

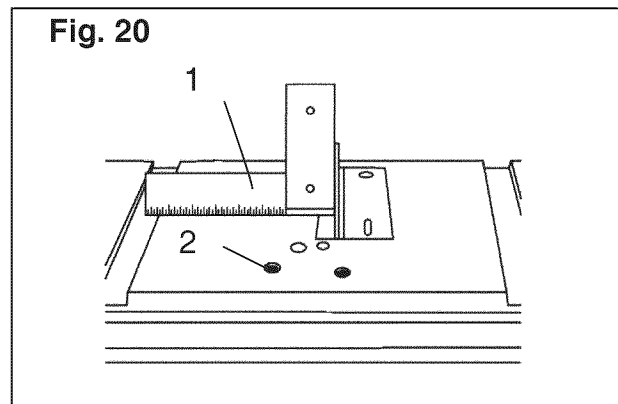
1. Turn saw switch OFF and remove plug from the power source.
2. Remove blade guard and splitter assembly, mitre gauge and rip fence.
3. Using the 10 mm hex wrench, slightly loosen the two middle blade alignment rod strap bolts (1) and two rear blade alignment rod strap bolts (2) located on the underside of the table (Fig. 19).
4. While standing at the rear of the saw, use a flat blade screwdriver and gently pry the rear of the blade alignment rod to the LEFT or RIGHT. Using the framing square, simultaneously measure the distance at the front and rear of the blade to an edge of a mitre slot. When the distances are within 1/64" or less, tighten both rear blade alignment rod strap bolts (2) while holding the rod firmly in place. **NOTE:** The blade alignment rod will only move slightly.
5. If alignment is not achieved by rear adjustment, loosen the two front blade alignment rod strap bolts (3).
6. While standing at the front of the saw, use a medium size flat blade screw driver and gently pry the front of the blade alignment rod to the RIGHT or LEFT. Simultaneously measure the distance at the front and rear of the blade to an edge of a mitre slot. When the distances are within 1/64" or less, tighten both front blade alignment rod strap bolts (3) while holding the rod firmly in place. **NOTE:** The blade alignment rod will only move slightly to the right.
7. Tighten both middle blade alignment rod strap bolts (1). **NOTE:** Make sure all six bolts are properly tightened and that the distance from the front and rear of the blade to the mitre gauge groove are within 1/64" from one another.
8. Re-install blade guard and splitter assembly and adjust the alignment with the blade as outlined earlier in this manual.



VI. Assembly and adjustments ... continued

90°(0°) BEVEL STOP (Fig. 20)

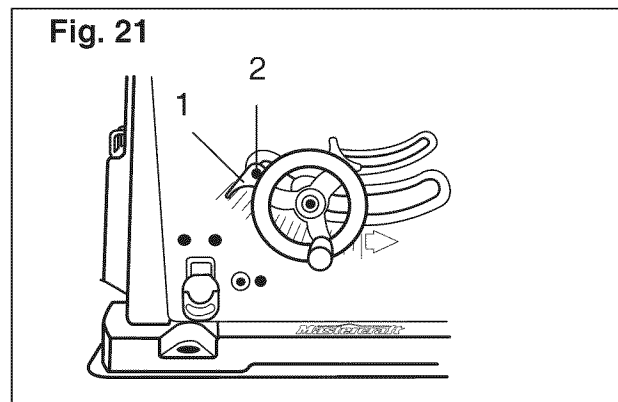
1. Raise the blade to maximum height by rotating the handwheel counter-clockwise.
2. Loosen bevel angle lock knob.
3. Tilt the blade to 90°(0°) bevel.
4. Using a square (1), verify blade is 90°(0°) to the table top.
5. If blade is not 90°(0°) to the table, loosen the adjustment screw (2) .
6. Loosen bevel lock knob and square blade 90°(0°) to the table.
7. Once blade is at 90°(0°) to the table top, lock bevel angle locking knob.
8. Carefully tighten adjusting screw (2) until it touches the bevel stop. **DO NOT OVERTIGHTEN.**
9. Double-check to ensure blade is still aligned at 90°(0°).



BEVEL POINTER ADJUSTMENT (Fig. 21)

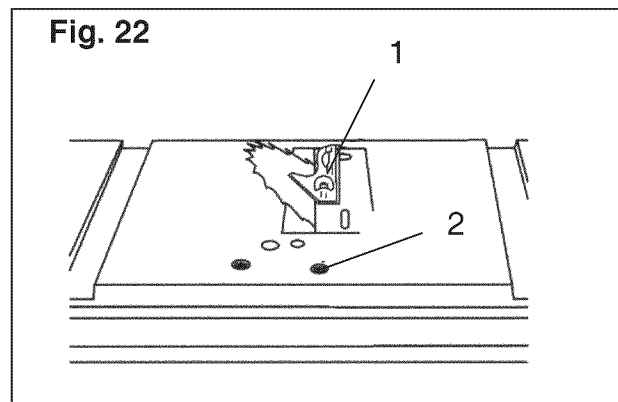
When you have achieved a 90°(0°) angle of the blade to the table top as described in section above, the angle pointer may require adjustment. If so, follow proceeding steps:

1. Loosen pointer screw (2) and move the pointer so it is aligned with 0° on the bevel scale.
2. Retighten the pointer screw.



45° BEVEL STOP (Fig. 22)

1. Raise the blade to maximum height by rotating the handwheel counter-clockwise.
2. Loosen bevel angle lock knob.
3. Tilt the blade to 45° angle.
4. Using a square (1), verify blade is 45° to the table top.
5. If blade is not 45° to the table, loosen the adjustment screw (2).
6. Loosen bevel lock knob and square blade 45° to the table.
7. Once blade is at 45° to the table top, lock bevel angle locking knob.
8. Carefully tighten adjusting screw (2) until it touches the bevel stop. **DO NOT OVERTIGHTEN.**
9. Recheck to ensure blade is still aligned at 45°.



VI. Assembly and adjustments ... continued

ADJUSTING THE LASER LINE (Fig. 23)

WARNING: The laser beam is emitted when the laser line is turned on. Do not stare into beam or view directly with optical instruments. Do not remove the warning label affixed to the blade guard. Avoid direct eye contact with the laser.

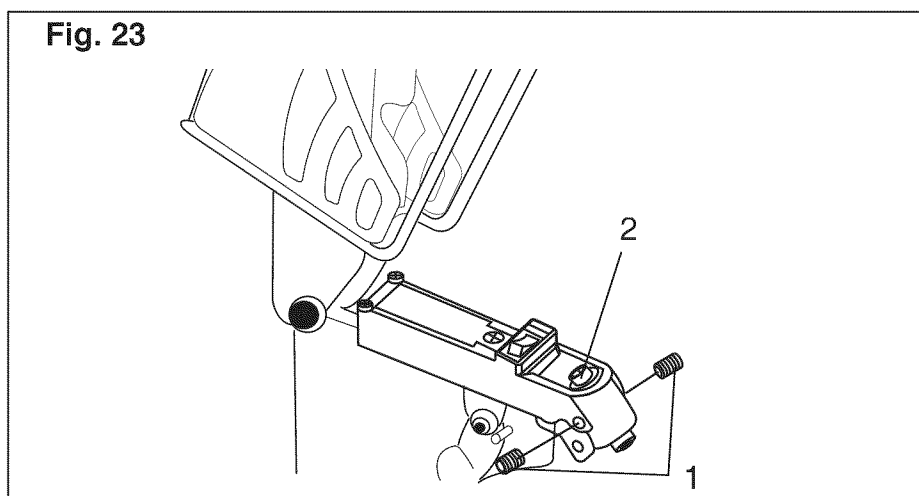
NOTE: All the adjustments for the operation of this machine have been completed at the factory. Due to normal wear and use, some occasional readjustments may be necessary.

1. Turn on the laser line. Using a straight edge or ruler, place against the right side of the blade.
2. Check if the laser line is flush against the right side of the blade and against the straight edge/rule.
3. If not flush, loosen the two set screws (1) with the 3 mm wrench provided. Loosen but do not remove them.
4. Using the 5 mm wrench provided, adjust the laser unit (2) until the laser line is parallel to the blade.

NOTE: Be careful not to over-rotate the laser unit. Do not rotate laser more than 1/8 of a turn in either direction.

5. Adjust the set screw (1) on the left or right side to shift the laser line flush with the right side of the blade. When alignment is achieved, tighten the set screw on the other side slowly until it touches the laser to lock the laser into position. Turn off the laser guide.

NOTE: If additional alignment is required, you can use the thin parallel washers provided to adjust by placing them between the splitter and the laser housing at the mounting screw locations.



VI. Assembly and adjustments ... continued

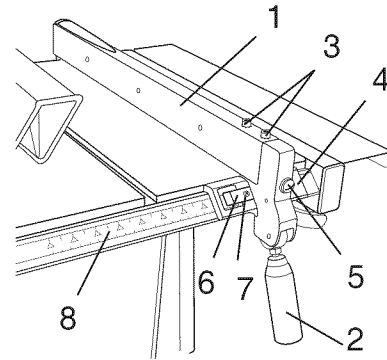
WARNING: TO AVOID INJURY FROM AN ACCIDENTAL START, MAKE SURE THE SWITCH IS IN THE "OFF" POSITION, THE REMOVABLE KEY IS REMOVED AND THE PLUG IS NOT CONNECTED TO THE POWER SOURCE OUTLET.

RIP FENCE ADJUSTMENT (Fig. 24)

1. The fence (1) is moved by lifting up on the locking handle (2) and sliding the fence to the desired location. Pushing down on the handle locks the fence in position.
2. Position the fence on the table and along one edge of the mitre gauge groove.
3. Lock the fence handle. The fence should be parallel with the mitre gauge groove.
4. If adjustment is needed to make the fence parallel to the groove, proceed with the following adjustments:
 - Loosen the two bolts (3) and lift up on the handle (2).
 - Hold the fence bracket (4) firmly against the front of the saw table. Move the opposite end of the fence until it is parallel with the miter gauge groove.
 - Push the handle down to lock, then tighten both bolts.
5. If fence is loose when the handle is in the locked (downward) position, proceed with the following adjustment:
 - Lift the handle (2) upward and turn the adjusting screw (5) clockwise until the bottom of the rear clamp is 1/16" away from the rear of the table.

NOTE: Overtightening the adjusting screw will cause the fence to become misaligned.

Fig. 24



WARNING: Failure to properly align fence can cause "kickback" and serious injury.

NOTE: The rip fence and blade are aligned parallel to the mitre gauge groove of the table.

RIP FENCE INDICATOR ADJUSTMENT (Fig. 24)

1. The rip fence indicator (6) points to the rip scale (8). The scale shows the distance between the fence and the blade.
2. Measure the actual distance of the rip fence to the blade with a ruler. If there is a difference between the measurement and the indicator, adjust the indicator (6).
3. Loosen the screw (7) and slide the indicator to the correct measurement on the scale. Tighten the screw and re-measure.

VI. Assembly and adjustments ... continued

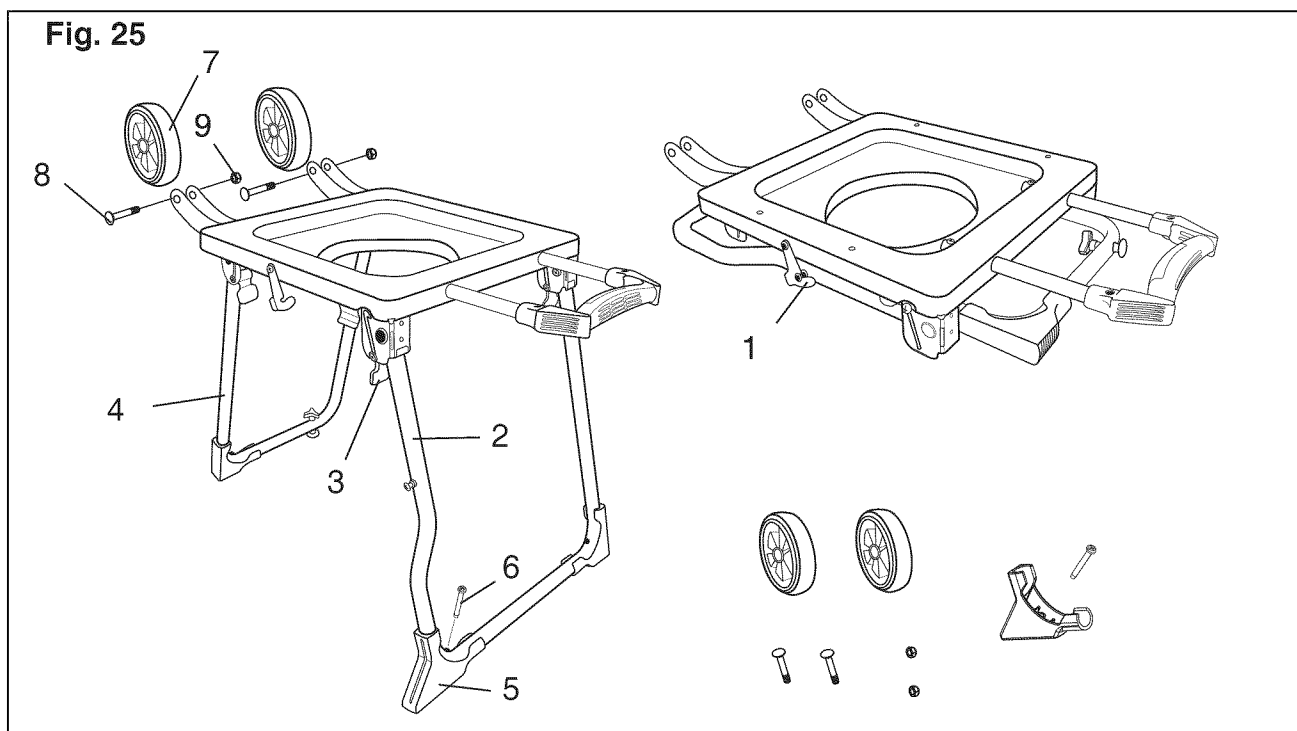
WARNING: NEVER CONNECT THE PLUG TO THE POWER SOURCE OUTLET UNTIL ALL INSTALLATIONS AND ADJUSTMENTS ARE COMPLETED AND YOU HAVE READ AND FULLY UNDERSTOOD THE ENTIRE MANUAL.

UNFOLDING THE STAND (Fig. 25)

1. Release the stand hook (1) by sliding it away from the stop screw.
 2. Unfold the wider leg set (2). Pull the stand locking lever (3) downward and push down to lock in place.
 3. Lift the stand up and unfold the narrower leg set (4).
 4. Pull the stand locking lever downward and push down to lock in place.
- NOTE:** Make sure the stand is locked securely.
5. Attach the leveling pad (5) to the wider leg set (2) using the screw (6).

ASSEMBLING THE ROLLER WHEELS (Fig. 25)

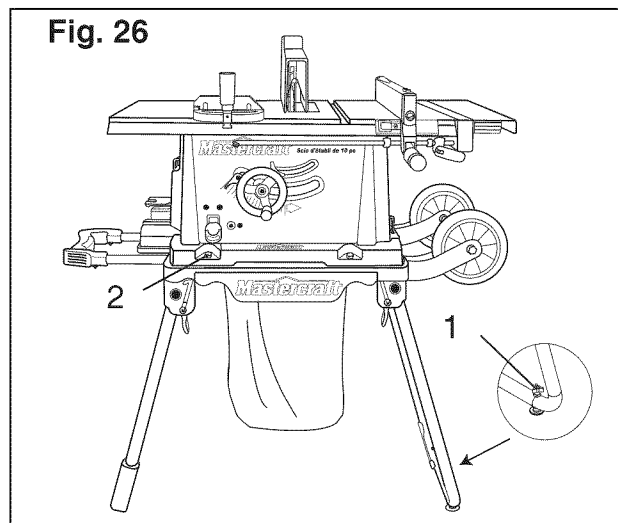
Attach the roller wheels (7) to roller wheel brackets using square neck bolts (8) and nuts (9) as shown. Do not overtighten as this will not allow the wheels to turn.



VI. Assembly and adjustments ... continued

ATTACH TABLE SAW TO STAND (Fig. 26)

1. Place stand on level surface and adjust front right adjustable stand pad (1) to level the stand to the floor.
2. Place table saw on the top of stand aligning holes in base with holes in stand.
3. Insert four hex bolts (2) through the flat washers and holes in base and stand.
4. Tighten all four bolts. **NOTE:** Do not over tighten bolts holding saw to stand. This will damage the saw base.



FOLDING THE TABLE SAW/STAND (Fig. 27)

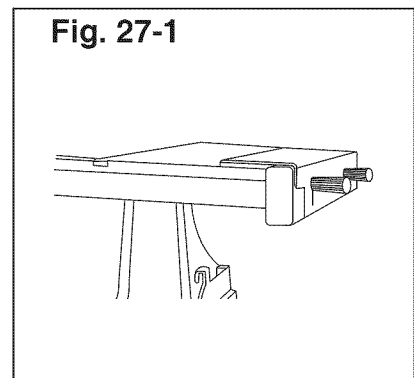
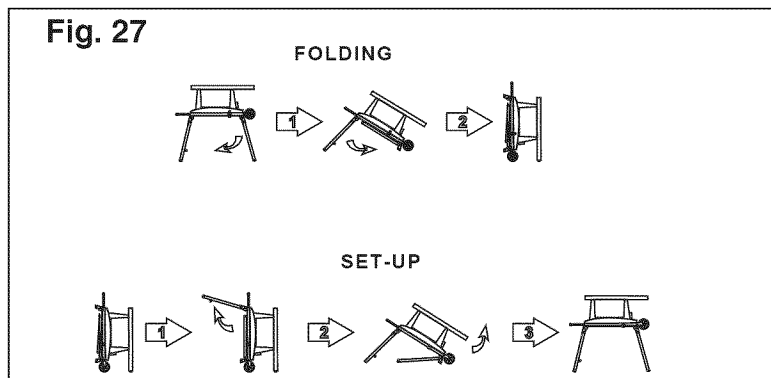
1. Rotate the stand locking hook to the left. Lift up on the two right side stand locking levers to unlock and lift the right side of the table saw up slightly off the floor (Fig. 27). Fold up the leg set on the right side up to the base of the saw until it snaps into position with the spring clip (Fig. 27).
2. Adjust the rip guide to the IN-RIP position (Fig. 27-1).
3. Rest the right side of the saw onto the floor, release the two left side stand locking levers and tilt the saw on its right side. Fold the left side leg set up to the base (Fig. 27).
4. Secure the stand legs into position by rotating the stand locking hook to the right.

SETTING UP THE TABLE SAW/STAND (Fig. 27)

1. Rotate the stand locking lever to the left. Unfold the leg set and lock the stand locking levers in place by sliding the levers down the slots of the mounting brackets and pushing downwards to lock in place.
2. Rest the left side of the saw onto the floor and lift up on the right side of the stand and unfold the narrower right side leg set (Fig. 27).
3. Secure the right side legs into position by locking the stand locking levers in place as described in step 1.

NOTE:

- Make sure the table saw is locked in position securely and that the adjustable stand pad has stabilized the table saw before operation.



VII. Operation

RAISE THE BLADE (Fig. 29)

To raise or lower the blade, turn the blade elevation handwheel (1) COUNTER-CLOCKWISE.

NOTE: It is not necessary to loosen blade tilting locking knob (2) when raising or lowering the saw blade.

TILTING THE BLADE (Fig. 29)

1. Loosen blade bevel locking knob (2).
2. Slide the entire handwheel assembly (1) to desired location.
3. Tighten blade bevel locking knob (2). Ensure locking knob is fully tightened before attempting a cut.

ON/OFF PADDLE SWITCH (Fig. 30)

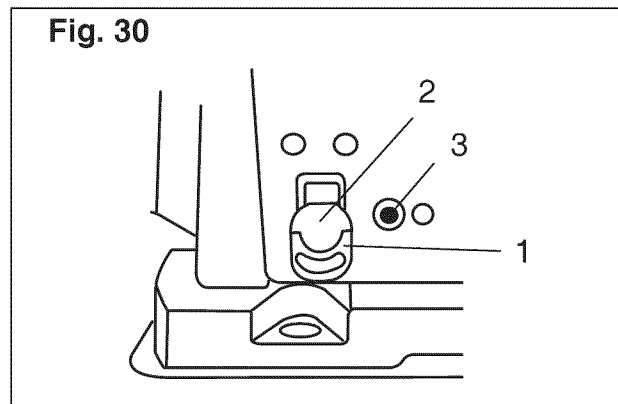
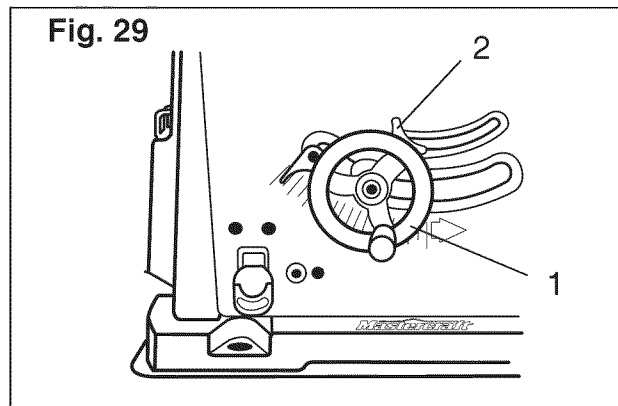
The ON/OFF paddle switch has a removable safety key. With the key removed from the switch, unauthorized use is minimized.

1. To turn the saw ON, insert key (2) into the slot above the switch. Move the paddle switch (1) upward to the ON position.
2. To turn the saw OFF, move the paddle switch (1) downward.
3. To lock the paddle switch in the OFF position, grasp the end of the removable key and pull it out.
4. With the safety key removed, the ON/OFF switch will not operate.
5. If the key is removed while the saw is running, it can be turned OFF but cannot be restarted without inserting the removable key (1).

OVERLOAD PROTECTION (Fig. 30)

This saw has a reset overload relay button (3) that will restart the motor after it shuts off due to overloading or low voltage. If the motor stops during operation, turn the ON/OFF switch to the OFF position. Allow five minutes for the motor to cool. Push the reset button (3) and turn the switch to the ON position.

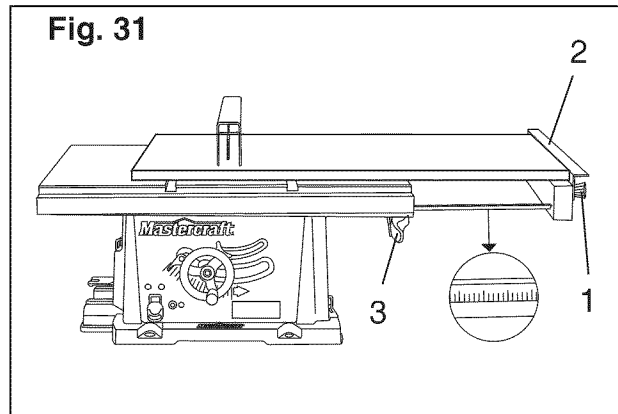
TO AVOID INJURY AND TO PREVENT ACCIDENTAL STARTING WHEN THE RESET BUTTON IS PUSHED, THE ON/OFF PADDLE SWITCH SHOULD BE IN THE OFF POSITION AND THE PLUG REMOVED FROM THE POWER SOURCE WHILE THE COOL DOWN TAKES PLACE. OVERHEATING MAY BE CAUSED BY AN UNDER-SIZED EXTENSION CORD, AN EXTENSION CORD TOO LONG IN LENGTH, MISALIGNED PARTS OR A DULL BLADE. INSPECT YOUR SAW FOR PROPER SET-UP BEFORE USING IT AGAIN.



VII. Operation ... continued

USING THE TABLE EXTENSION WING (Fig. 31)

1. Unlock the table extension wing levers (3) on the two extension tube brackets.
2. Slide the extension tubes in or out until the scale on the front tube is positioned at the desired distance. Lock the table extension wing levers (3).
3. To adjust fence position, loosen lock handles (1) and position auxiliary fence (2).
4. Tighten lock handles (1).



CAUTION! HAVE YOU READ “GENERAL SAFETY RULES” AND “SPECIFIC SAFETY RULES FOR THE TABLE SAW” IN THIS MANUAL? IF NOT, PLEASE DO SO NOW BEFORE YOU OPERATE THIS SAW. YOUR SAFETY DEPENDS ON IT!

EVERY TIME YOU USE THE TABLE SAW YOU SHOULD VERIFY THE FOLLOWING:

1. BLADE IS TIGHT.
2. BEVEL ANGLE LOCKING HANDLE IS LOCKED.
3. IF RIPPING, RIP FENCE LOCKING KNOB MUST BE TIGHT AND FENCE MUST BE PARALLEL TO THE MITRE GAUGE GROOVE AND BLADE.
4. IF CROSSCUTTING, MITRE GAUGE KNOB IS TIGHT.
5. BLADE GUARD AND SPLITTER ARE IN PLACE AND WORKING PROPERLY.
6. SAFETY GLASSES ARE BEING WORN.
7. FAILURE TO ADHERE TO THESE SAFETY RULES CAN GREATLY INCREASE THE CHANCES OF INJURY.

Before using the table saw, polish the tabletop with an automotive polishing wax to keep it clean and make it easier to slide the workpiece.

There are two basic types of table saw cuts: ripping and crosscutting. In general, ripping is cutting with the grain along the length of the workpiece. Crosscutting is cutting either across the width or across the grain of the workpiece. However, with man-made materials this distinction can be difficult to make. Therefore, cutting a piece of material to a different width is ripping and cutting across the short dimension is crosscutting. Neither ripping nor crosscutting may be done safely freehand. Ripping requires the use of the rip fence and crosscutting requires the use of the mitre gauge. Never use the rip fence and the mitre gauge at the same time during the cutting operation.

WARNING: Never use more than one rip fence or a combination of a mitre gauge and a rip fence at the same time during a cutting operation.

VII. Operation ... continued

RIPPING

CAUTION! To prevent serious injury:

- Do not allow frequent use of your table saw to cause complacency and careless mistakes. Remember that even a careless fraction of a second is enough to cause a severe injury.
- Keep both hands away from the blade and the path of the blade.
- The workpiece must have a straight edge against the fence and must not be warped,

1. Remove the mitre gauge and secure the rip fence to the table.
2. Adjust the blade so it is about 1/8 in. higher than the workpiece.
3. Hold the workpiece flat on the tabletop and against the rip fence. Keep the workpiece about 1" away from the front of the blade.

4. Turn the saw ON and allow the blade to come to full speed.
5. Slowly feed the workpiece into the blade by pushing forward only on the workpiece section (1) that will pass between the blade and the fence (Fig. 32).

6. Keep your thumbs off the tabletop. Always hold the workpiece when the blade is turning. Do not let go of it to reach for the push stick. When both of your thumbs touch the front edge of the table (2), finish the cut with a push stick (3). Make a push stick using the pattern on page 35 of this manual.

7. **The push stick should always be used during ripping operations.**

8. Continue pushing the workpiece with the push stick until it passes the blade guard and clears the rear of the table.

9. Never pull the workpiece back while the blade is turning. Turn the switch OFF and unplug the power cord. When the blade completely stops, raise the anti-kickback fingers on each side of the splitter if necessary and slide the workpiece out.

Fig. 32

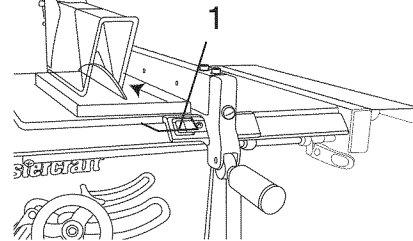
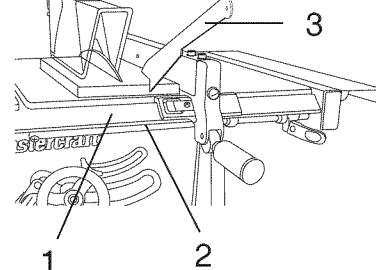


Fig. 33



WARNING!

- DO NOT TRY TO PULL THE WORKPIECE BACK WHILE THE BLADE IS STILL TURNING. TURN THE SWITCH OFF AND CAREFULLY SLIDE THE WORKPIECE OUT WHEN THE BLADE HAS COMPLETELY STOPPED.
- NEVER PERFORM ANY OPERATION FREEHAND.
- AVOID KICKBACK BY KEEPING BLADES SHARP, THE RIP FENCE PARALLEL TO THE SAW BLADE, AND BY KEEPING THE SPLITTER, ANTI-KICKBACK PAWLS AND GUARDS IN PLACE, ALIGNED AND FUNCTIONING.

VII. Operation ... continued

BEVEL RIPPING

This operation is the same as ripping except the bevel angle is set to an angle other than 0°.

CAUTION! CUT ONLY WITH THE WORKPIECE AND THE RIP FENCE ON THE RIGHT HAND SIDE OF THE BLADE.

RIPPING SMALL PIECES

CAUTION! AVOID INJURY RESULTING FROM BLADE CONTACT. NEVER MAKE THROUGH-SAW CUTS NARROWER THAN ½" WIDE.

1. It is unsafe to rip small pieces. It is not safe to put your hands close to the blade. To ensure your safety, rip the small piece from a larger piece.
2. When a small width is to be ripped and the hand cannot be safely put between the blade and the rip fence, use one or more push sticks. Use the push sticks to hold the workpiece against the table top and fence and push the workpiece fully past the blade (Fig. 33).

NOTE: A pattern for making your own push sticks is shown on page 35 of this manual.

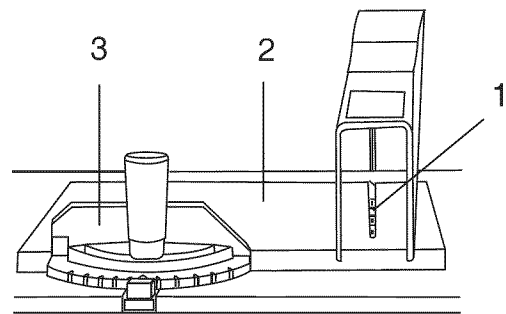
CROSSCUTTING (Fig. 34)

CAUTION! To prevent serious injury:

- Do not allow familiarity gained from frequent use of your table saw to cause careless mistakes. Remember that even a careless fraction of a second is enough to cause a severe injury.
- Keep both hands away from the blade and the path of the blade.

1. Remove the rip fence and place the mitre gauge in the left side groove.
2. Adjust the blade (1) so it is about 1/8" higher than the workpiece (Fig. 34).
3. Hold the workpiece firmly against the mitre gauge with the path of the blade in line with the desired cut location. Keep the workpiece about 1" away from the front of the blade. Start the table saw motor and allow the blade to reach to full speed.
4. Keep the workpiece (2) flat against the face of the mitre gauge (3) and flat against the table.
5. Slowly push the workpiece through the saw blade's cutting arc.
6. Do not try to pull the workpiece back while the blade is still turning. Turn the switch OFF and carefully slide the workpiece out when the blade has completely stopped.

Fig. 34



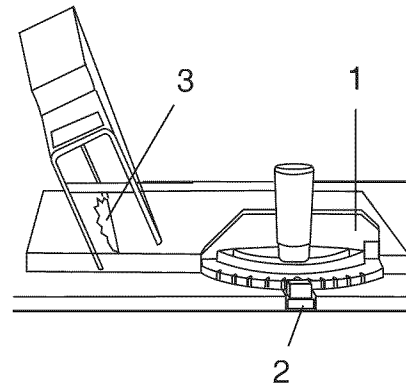
VII. Operation ... continued

BEVEL CROSSCUTTING (Fig. 35)

Always work to the right side of the blade during this type of cut. The mitre gauge (1) must be in the right-side groove (2) because the bevel angle would cause the blade guard to interfere with the cut if used on the left side groove.

1. Adjust the blade (3) to the desired angle. Tighten the blade bevel lock knob.
2. Tighten mitre lock handle at 90°.
3. Hold workpiece firmly against the face of the mitre gauge (1) throughout the cutting operation.

Fig. 35

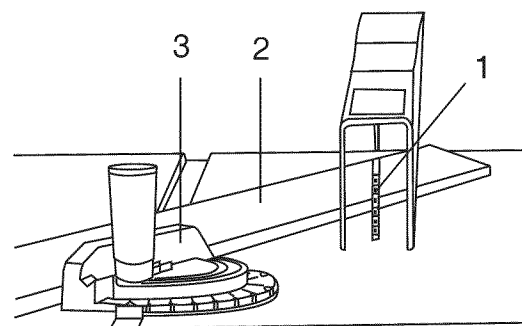


MITRE CUTS (Fig. 36)

This cutting operation is the same as crosscutting except the mitre gauge is locked at an angle other than 90°.

1. Set the mitre gauge (3) to the desired angle (Fig. 36).
2. Hold the workpiece (2) firmly against the mitre gauge (3).
3. Feed the workpiece slowly into the blade (1) to prevent the workpiece from shifting.

Fig. 36

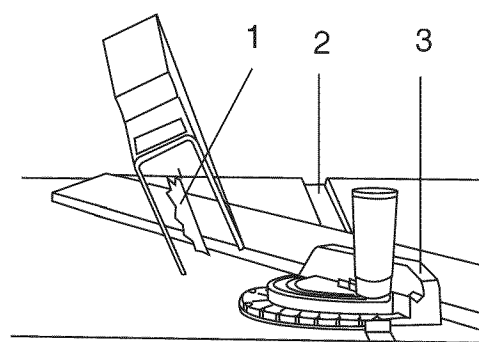


COMPOUND MITRE CROSSCUTTING (Fig. 37)

This sawing operation is combining a mitre angle with a bevel angle. Always work to the right side of the blade during this type of cut. The mitre gauge (3) must be in the right side groove because the bevel angle would cause the blade guard to interfere with the cut if used on the left side groove.

1. Set the mitre gauge (3) to the desired angle.
2. Place the mitre gauge (3) in the right-side groove (2) of the table.
3. Set the blade (1) to the desired bevel angle and tighten the blade bevel lock knob.
4. Hold workpiece firmly against the face of the mitre gauge (3) throughout the cutting operation.

Fig. 37

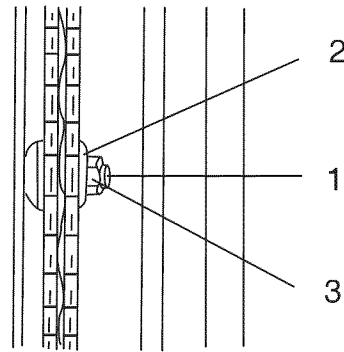


VII. Operation ... continued

DADO CUTTING (Fig. 38)

1. Unplug the power cord before removing and/or installing dado blades.
2. When making dado cuts, a dado insert plate must be installed in place of the regular table insert.
3. The arbor (1) of this saw restricts the maximum width of dado cut to $\frac{1}{2}$ " (Fig. 38). The flange (2) must be installed prior to reinstalling and tightening arbor nut (3).
4. **NOTE:** Make sure the arbor nut is tight and at least one thread of the arbor sticks out past the nut.
5. Use only a stackable dado set and keep the width to $\frac{1}{2}$ " or less. It will be necessary to remove the blade guard and splitter when using the dado.

Fig. 38



CAUTION! Use caution when the dado blade is running. You have no guard to protect you. Also, adjustable or wobble dado blades can NOT be used on this machine.

6. Use the correct number of round outside blades and chippers as shown in the dado blade's instruction manual. Blade and chipper total width must not exceed $\frac{1}{2}$ ".
7. Before starting the table saw, check to make sure the installed dado assembly will not strike the motor, table or table saw base when in operation.

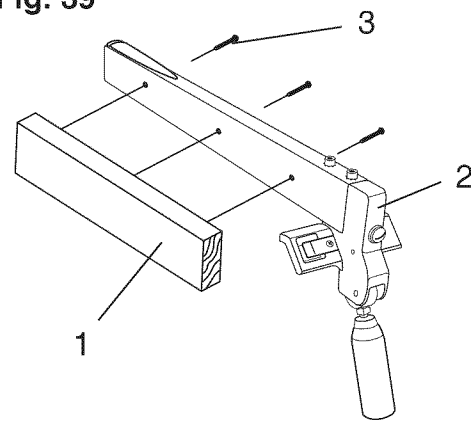
CAUTION! To avoid injury, always replace the blade, blade guard assembly and table insert when you are finished with the dado operation.

USING A WOOD FACING ON THE RIP FENCE (Fig. 39)

When performing some special cutting operations, add a wood facing (1) to either side of the rip fence (2).

1. Use a smooth $\frac{3}{4}$ " thick board (1) that is as long as the rip fence.
2. Attach the wood facing to the rip fence using wood screws (3). A wood facing should be used when ripping material such as thin panelling to prevent the material from catching between the bottom of the fence and the table.

Fig. 39



VII. Operation ... continued

BLADE SELECTION

There are many different types of blades with differing tooth configurations, tooth counts and materials. Some of the more common types are shown below.

CAUTION! ABRASIVE AND METAL CUTTING BLADES MUST NOT BE USED WITH THIS SAW. This saw was not made to cut metals or masonry materials. Doing so may result in injury. It will also void the warranty.

ALL BLADES MUST:

1. BE RATED AT 5300 RPM OR HIGHER
2. HAVE A 5/8" ARBOR HOLE
3. BE NO LARGER THAN 10" IN DIAMETER

Smaller diameter blades may be used. However, they will result in a reduced cutting depth.

Combination blades

Tend to be general purpose blades
Work fairly well in most applications
Somewhat rough cutting

Crosscut blades

Designed primarily for crosscutting
Somewhat smoother than combination blades

Rip blades

Used for ripping
Very good for thick materials
Very rough if used for crosscutting

Plywood blades

Smooth cutting in both rip and crosscut applications
Good for thin wood as well as plywood
Set-tooth type is more economical than hollow ground type tooth
Not limited in cutting depth

Planer blades

Generally are hollow ground
Very smooth cuts in thin material
Limited depth of cut due to hollow ground construction
Not recommended for rip cuts

Carbide tipped blades

Stay sharp much longer
More expensive than all-steel blades
Available in all types listed above
Carbide is brittle and must not be used on any material that may contain nails, screws, etc.

VIII. Maintenance

CAUTION: For your own safety, turn the switch OFF and remove the switch key. Remove the plug from the power source before maintaining or lubricating your saw.

GENERAL MAINTENANCE

- Frequently clean out all sawdust that has accumulated inside the saw base and around the motor with a vacuum.
- Polish the saw table with an automotive polishing wax to keep it clean and to make it easier to slide the workpiece.
- Clean the cutting blades with pitch and gum remover.
- Immediately replace a worn, cut or damaged power cord.

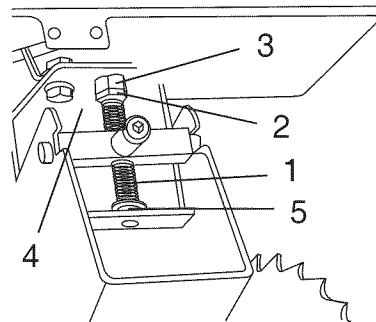
CAUTION: All electrical and mechanical repairs should be performed by a trained repair technician. Call the Toll Free Helpline at 1-886-881-7202 for the technician nearest you. Use only identical replacement parts. Any substitute parts may create a hazard.

Use liquid dish washing detergent and water to clean all plastic parts. **NOTE:** Use of certain cleaning chemicals may damage plastic parts. Do not use the following cleaning chemicals or solvents on your table saw: gasoline, carbon tetrachloride, chlorinated solvents, ammonia and household detergents containing ammonia.

BLADE RAISING AND TILTING MECHANISM

After every five hours of operation, the blade raising and tilting mechanisms should be checked for looseness, binding or other abnormalities. With the table saw disconnected from the power source and removed from the stand, turn the saw upside down and alternately pull upward and downward on the motor unit. Observe any movements in the motor mounting mechanism. Looseness or play in the blade screw rod (1) should be adjusted as follows (Fig. 40).

Fig. 40



1. Using a 14 mm wrench, loosen jam nut (2).
2. Adjust nut (3) until it is finger-tight against the bracket (4), then loosen the nut (3) 1/6 of a turn.
3. Tighten jam nut (2) with a wrench while holding nut (3) in place. Maximum allowable play in screw rod (1) is 4 mm.

Place a small amount of dry lubricant such as graphite or silicone on the screw rod (1) at the thrust washer (5). Do not oil threads of screw rod. The screw rod must be kept clean and free of sawdust, gum, pitch and other contaminants for smooth operation. Wet lubricants such as oil will attract sawdust, etc.

If excessive looseness is observed in any other part of the blade raising or tilting mechanisms, call the Toll Free Helpline at 1-886-881-7202 for proper adjustment procedures.

LUBRICATION

All motor bearings are permanently lubricated at the factory and require no additional lubrication. On all mechanical parts of your table saw where a pivot or threaded rod is present, lubricate using graphite or silicone. These dry lubricants will not hold sawdust as will oil or grease.

IX. Troubleshooting guide

WARNING: To avoid injury from an accidental start-up, always turn switch OFF and unplug the table saw before moving the table saw or blade, replacing the blade or making adjustments to the table saw or blade.

SYMPTOM	POSSIBLE CAUSES	CORRECTIVE ACTION
Table saw will not start.	<ol style="list-style-type: none"> 1. Table saw not plugged in 2. Fuse blown or circuit breaker tripped 3. Cord damaged 	<ol style="list-style-type: none"> 1. Plug in table saw 2. Replace fuse or reset circuit breaker 3. Have cord replaced by a qualified electrician
Does not make accurate 45° or 90° rip cuts	<ol style="list-style-type: none"> 1. Positive stop not adjusted correctly 2. Blade tilt pointer not set correctly 3. Rip Fence not properly aligned 	<ol style="list-style-type: none"> 1. Check blade with square and adjust positive stop 2. Check blade with square and adjust pointer to zero 3. Align rip fence with mitre gauge slot
Material pinches blade when ripping	<ol style="list-style-type: none"> 1. Rip fence not aligned with blade 2. Warped wood, edge against fence not straight 	<ol style="list-style-type: none"> 1. Check and adjust rip fence 2. Select another piece of wood
Material binds on splitter	<ol style="list-style-type: none"> 1. Splitter not aligned correctly with blade 	<ol style="list-style-type: none"> 1. Check and align splitter with blade
Table Saw makes unsatisfactory cuts	<ol style="list-style-type: none"> 1. Dull blade 2. Blade mounted backwards 3. Gum or pitch on blade 4. Incorrect blade for work being done 5. Gum or pitch on table causing erratic feed 	<ol style="list-style-type: none"> 1. Replace blade 2. Turn blade around 3. Remove blade and clean with turpentine and coarse steel wool 4. Change blade 5. Clean table with turpentine and coarse steel wool. Apply a coat of automotive polishing wax.
Material kicks back from blade	<ol style="list-style-type: none"> 1. Rip fence out of alignment 2. Splitter not aligned with blade 3. Feeding stock without rip fence 4. Splitter not in place 5. Dull blade 6. Operator letting go of material before it is past saw blade 7. Mitre angle lock knob is loose 	<ol style="list-style-type: none"> 1. Align rip fence with mitre gauge slot 2. Align splitter with blade 3. Install and use rip fence 4. Install and use splitter (with guard) 5. Replace blade 6. Push material all the way past saw blade before releasing work 7. Tighten knob
Blade does not raise or tilt freely	<ol style="list-style-type: none"> 1. Sawdust and dirt in raising and tilting mechanisms 	<ol style="list-style-type: none"> 1. Brush or blow out loose dust and dirt
Blade does not come up to speed	<ol style="list-style-type: none"> 1. Extension cord too light or too long 2. Low house voltage 	<ol style="list-style-type: none"> 1. Replace with adequate size extension cord 2. Contact your hydro company
Table saw vibrates excessively	<ol style="list-style-type: none"> 1. Saw not mounted securely to workbench 2. Bench on uneven floor 3. Damaged saw blade 	<ol style="list-style-type: none"> 1. Tighten all mounting hardware 2. Reposition on flat level surface 3. Replace blade

X. Warranty

Mastercraft Canada agrees to exchange the product or refund your money within 7 days from the date of purchase, with proof of purchase, if you are not satisfied with this product.

This Mastercraft product carries a three (3) year repair warranty against defects in workmanship and materials. At its discretion, Mastercraft Canada agrees to have any defective part(s) replaced free of charge, within the stated warranty period, when returned by the original purchaser with proof of purchase. This product is not guaranteed against wear or breakage due to misuse and/or abuse.

This product is not guaranteed if used for commercial or industrial purposes.

PUSH STICK CONSTRUCTION

- This is a full-size drawing (actual size)
- Use good quality plywood or solid wood
- Use 1/2 in. or 3/4 in. material
- Push stick MUST be thinner than the width of material being cut

Drill Hole For Hanging

Notch To Prevent Hand From Slipping

Cut Here To Push 1/2 in. Wood

Cut Here To Push 3/4 in. Wood

XI. Replacement parts

MASTERCRAFT® 10" TABLE SAW WITH LASER LINE

When servicing your Mastercraft® 10" Table Saw, use Mastercraft® replacement parts only. Use of any other parts may cause product damage. Any and all servicing of the table saw should be performed by a qualified service technician. For the technician nearest you, call 1-866-881-7202.

WARNING: ANY ATTEMPT TO REPAIR OR REPLACE ELECTRICAL PARTS ON THIS TOOL MAY CREATE A HAZARD UNLESS REPAIR IS DONE BY QUALIFIED SERVICE TECHNICIANS.

Order by I.D. NUMBER

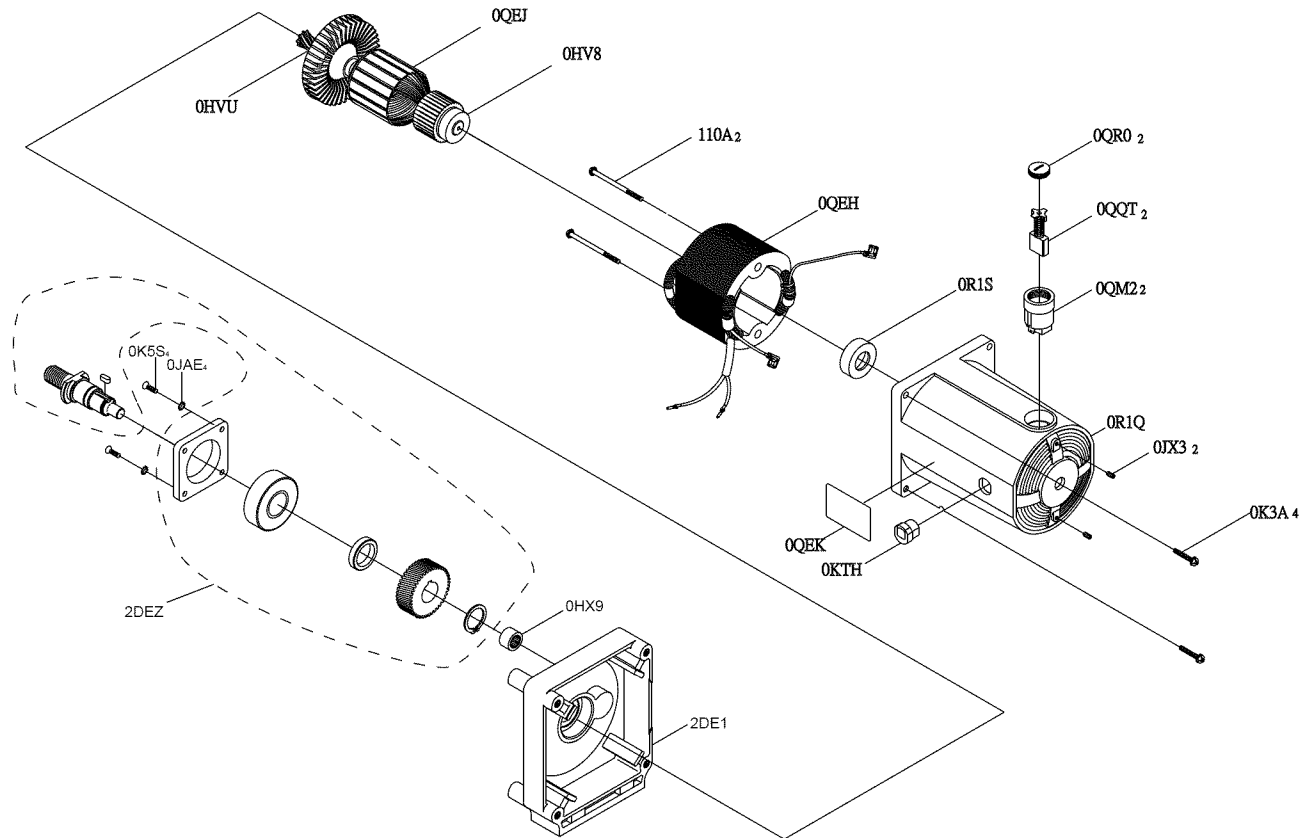
I.D No	Description	Size	Qty	I.D No	Description	Size	Qty
09JK	WRENCH		1	0KEM	CR. RE. PAN HD. SCREW	M6*1.0-40	1
0AW8	SEGMENT GEAR		1	0KF7	CR. RE. PAN HD. SCREW	M4*0.7-12	2
0B1M	WHEEL		1	0KJ4	CAP HD. SQ.NECK BOLT	M6*1.0-35	1
0B23	SADDLE	D=8 H=7	1	0KJ5	CAP HD. SQ.NECK BOLT	M6X1.0-80	1
0B24	SPRING		1	0KMR	HEX. NUT	M5*0.8 T=4	2
0B27	POINTER BRACKET		1	0KMS	HEX. NUT	M6*1.0 T=5	1
0B2C	SWITCH BOX		1	0KMV	HEX. NUT	M10*1.5 T=8	1
0B3K	INSERT		1	0KMW	HEX. NUT	M10*1.5 T=4	1
0B3M	CUSHION		2	0KMY	HEX. NUT	M8*1.25 T=6.5	1
0B3R	WRENCH	L=209.5	1	0KQJ	CROWN NUT	M8*1.25 T=12.5	1
0B3W	RETAINING CLIP		1	0KRQ	SERRATED TOOTHED HEXAGON FLANGE NUT	M6*1.0 T=6	6
0B97	MOTOR BRACKET		1	0KRX	HEXAGON NUT AND FLAT WASHER	M6*1.0	5
0B99	SPACER	D=10 H=69	1	0KSW	STRAIN RELIEF		1
0B9C	PLUNGER HOUSING		1	0KTA	STRAIN RELIEF		2
0B9M	STRAP		6	0LSL	CIRCUIT BREAKER SWITCH		1
0B9S	BRACKET		1	0QEL	MOTOR		1
0B9W	BRACKET		1	0QQ0	CLAMP-CORD		1
0B9Z	COMPRESSION SPRING		1	0T00	SLIDING BASE ASS'Y		2
0BA1	COMPRESSION SPRING		1	212M	LEAD WIRE ASS'Y		1
0BA4	SPACER	D=10 H=8.5	1	21CH	CR.RE. PAN HD. SCREW & WASHER	M5*0.8-10	1
0BAC	SET NUT		1	263N	HANDLE BAR		1
0CKY	LOCK HANDLE ASS'Y		1	2640	BODY SHELL		1
0J3P	HEX. WRENCH		1	26AC	NEEDLE POINTER		1
0J3Q	HEX WRENCH		1	26BN	CR. RE. PAN HD. SCREW	M6*1.0-25	1
0J4F	FLAT WASHER	8X16-2.5	1	27QV	DEFLECTOR		1
0J4H	FLAT WASHER	10*30-0.2	2	27SX	ROCKER SWITCH		1
0J4U	FLAT WASHER	6*18-1.5	2	27XL	END CAP		2
0J70	FLAT WASHER	1/4*3/4-7/64	1	2919	FLAT WASHER	φ10*17-2	1
0J72	FLAT WASHER	1/4*5/8-1/16	1	2984	LOCK KNOB		1
0J76	FLAT WASHER	1/4*3/4-1/16	4	2A08	WARNING LABEL		1
0J7F	FLAT WASHER	5/16*7/8-5/64	1	2C3Q	BOLT CLAMP		2
0J7K	FLAT WASHER	3/8*29/32-5/64	1	2C90	EXTENTION WING		1
0J7V	FLAT WASHER	5/8*1 3/8-5/64	1	2CA9	INSERT		1
0J8D	FLAT WASHER	3/8*3/4-5/64	2	2CB9	UPPER TUBE		1
0J9H	SPRING WASHER	1/4"	6	2CBA	UPPER TUBE		1
0JAD	INTERNAL TOOTH LOCK WASHER		2	2CBB	ASSIST-FENCE		1
0JAE	EXTERNAL TOOTH LOCK WASHER		2	2CBD	TABLE		1
0JAF	EXTERNAL TOOTH LOCK WASHER		1	2CBE	ANGLE ROD		1
0JCR	SPRING PIN		1	2CUZ	MITER GAUGE ASS'Y		1
0JXL	HEX. SOC. SET SCREW	M10*1.5-12	1	2CV0	RIP FENCE ASS'Y		1
0JYN	HEX. SOC. COUNTERSUNK HD. SCREW	M6*1.0-25	6	2CV1	BLADE GUARD ASS'Y		1
0K0X	HEX. HD. SCREW AND WASHER	M6*1.0-16	1	2DE6	INSTRUCTIONS MANUAL		1
0K0Z	HEX. HD. SCREW AND WASHER	M8*1.25-16	4	2DKP	POWER CABLE ASS'Y		1
0K16	HEX. HD. SCREW AND WASHER	M8*1.25-16	1	2DNM	LABEL		1
0K25	HEX.SOCKET HD.CAP SCREWS	M5*0.8-20	1	2DNN	TRADE-MARK LABEL		1
0K3G	CR.RE. PAN HD. SCREW & WASHER	M5*0.8-12	1	2DNS	SCALE		1
0K5S	CR. RE. COUNT HD. SCREW	M6*1.0-55	4	2DNT	SCALE		1
0K85	CR. RE.COUNT HD. TAPPING SCREW	M4X0.7-6	8	2DNW	WARNING LABEL		1
0K91	CR. RE. TRUSS HD. TAPPING SCREW	M4*16-12	4	2DNY	CAUTION LABEL		1
0KA4	CR.RE. PAN HD. TAPPING SCREW	M4*16-16	2	2DNZ	CAUTION LABEL		1
0KAP	CR.RE. PAN HD. TAPPING SCREW	M5*0.8-10	1	2DPS	BLADE		1
0KCX	CR. RE. PAN HD PLAIN WASHER TAPPING SCREW	M5*0.8-10	2	2DV4	CR.RE. PAN HD. SCREW & WASHER		2
0KDP	CR. RE. PAN HD. SCREW	M5*0.8-30	2	2DVB	HEIGHT REGULATING BOLT ASS'Y		1
0KDR	CR. RE. PAN HD. SCREW	M5*0.8-10	1	2ED4	ARBOR COLLAR		1

XI. Replacement parts

MASTERCRAFT® 10" TABLE SAW WITH LASER LINE

MOTOR

I.D. NO	Description	Size	Qty	I.D. NO	Description	Size	Qty
OHV8	BALL BEARING		1	0QEK	MOTOR NAMEPLATE		1
OHVU	BALL BEARING		1	0QM2	BRUSH HOLDER ASS'Y	Φ27*26.5	2
OHX9	NEEDLE BEARING		1	0QQT	BRUSH ASS'Y		2
OJAE	EXTERNAL TOOTH LOCK WASHER	φ4	4	0QR0	BRUSH COVER		2
OJX3	HEX. SOC. SET SCREW	M5*0.8-8	2	0R1Q	MOTOR HOUSING		1
OK3A	CR.RE. PAN HD. SCREW & WASHER	M5*0.8-30	4	0R1S	BEARING BUSHING		1
OK5S	CR. RE. COUNT HD. SCREW	M6*1.0-55	4	110A	CR.-RE.PAN HD.TAPPING SCREW & WASHER		2
OKTH	STRAIN RELIEF		1	2DE1	BRACKET		1
0QEH	FIELD ASS'Y		1	2DEZ	CUTTER SHAFT ASS'Y		1
0QEJ	ARMATURE ASS'Y	120V 60HZ 38L	1				



XI. Replacement parts

MASTERCRAFT® 10" TABLE SAW WITH LASER LINE

STAND

I.D. No	Description	Size	Qty	I.D. No	Description	Size	Qty
0J4D	FLAT WASHER	φ5*10-1	2	28BX	CROSS-RECESSED PAN HD PLAIN WASHER TAPPING SCREW	M5*0.8-10	2
0J4E	FLAT WASHER	φ6*13-1	4	28HN	HEX. HD. BOLT	M12*1.75-60	2
0J8D	FLAT WASHER	3/8*3/4-5/64	4	2C6H	BRACKET		1
0JAZ	WAVE WASHER		2	2C6K	BRACKET		1
0JPU	HEX. HD. BOLT	M8*1.25-20	4	2C6L	FOLLOWER PLATE		1
0K7D	CR. RE. ROUND WASHER HD. SCREW	M6*1.0-10	2	2C6M	CLAMP HANDLE		4
0K7M	CR. RE. ROUND WASHER HD. SCREW	M6*1.0-18	1	2C6N	LEVELING PAD		1
0K85	CR. RE. COUNT HD. TAPPING SCREW	M4X0.7-6	4	2C6P	LEVELING PAD		1
0KBF	CR. RE. PAN HD. TAPPING SCREW	M6X1.4-45	3	2C6Q	HANDLE		1
0KDR	CR. RE. PAN HD. SCREW	M5*0.8-10	1	2C6R	UPPER TUBE		2
0KKU	CR. RE. PAN HD. ROUND NECK SCREW	M5*0.8-10	1	2C6T	DUST COLLECTOR ASS'Y		1
0KMR	HEX. NUT	M5*0.8 T=4	2	2CK1	LEVELING PAD		2
0KMS	HEX. NUT	M6*1.0 T=5	1	2CR8	ROLLING WHEEL		2
0KQW	LOCK NUT	M5*0.8 T=5	1	2CRF	HOOK		1
0KQX	NUT	M6*1.0 T=6	4	2CRG	LABEL		1
0KQY	LOCK NUT	M8*1.25 T=8	4	2CTZ	LOCK KNOB		1
0KR0	NUT	M12*1.75 T=12	2	2CUG	BAG-DUST		1
27RQ	CAP HD. SQ. NECK BOLT	M8*1.25-40	4	2CV8	HARDWARE BAG ASS'Y		1
27RR	CR. RE. TRUSS HD. SCREW	M6*1.0-46	4	2DNR	CAUTION LABEL		1

