

Installation Manual
of
PEGASUS
(Two Way MMDS Transceiver)



TEL:886-3-578-0393

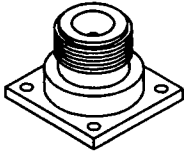
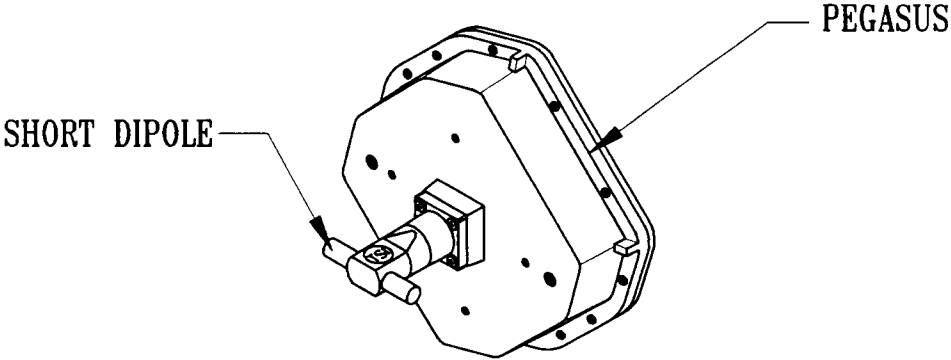
FAX:886-3-578-4111

2F, No 10 Prosperity Road II

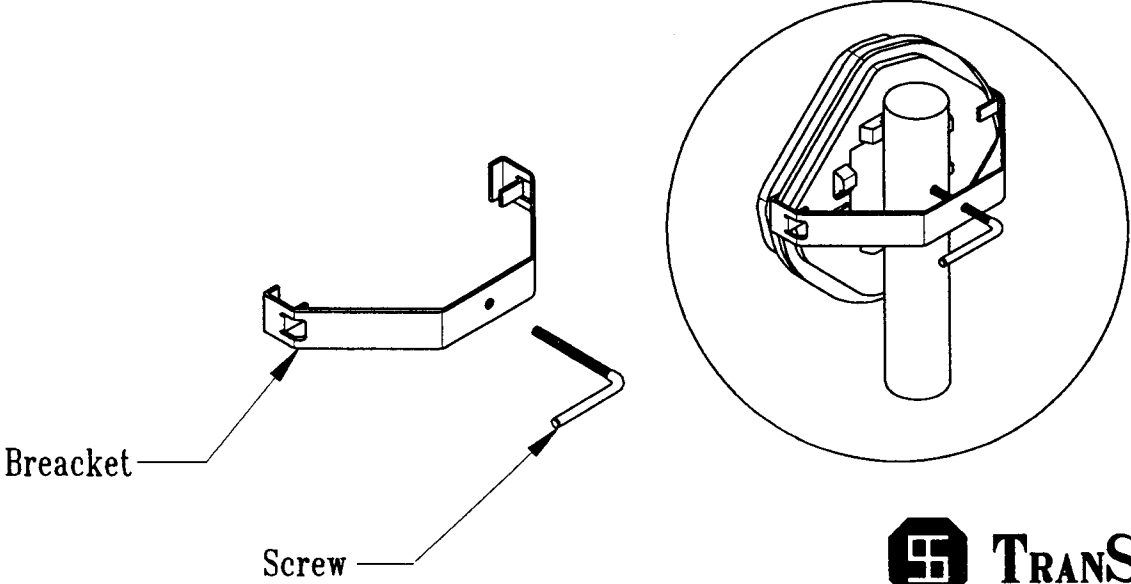
Hsinchu Science Park

Hsinchu, Taiwan, Republic of China

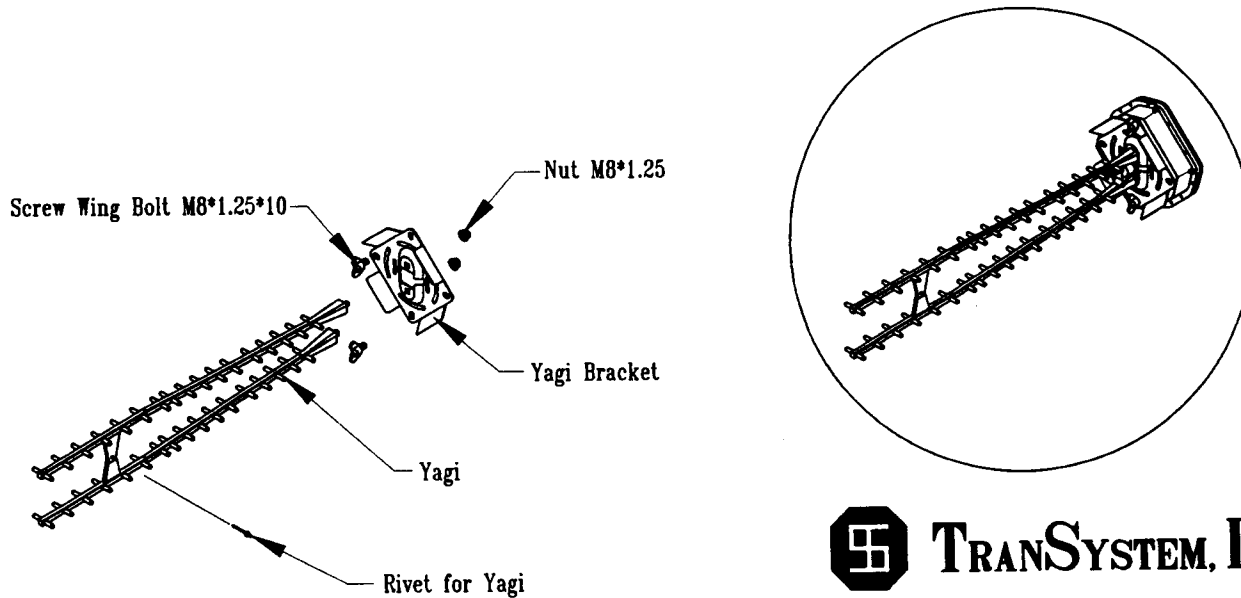
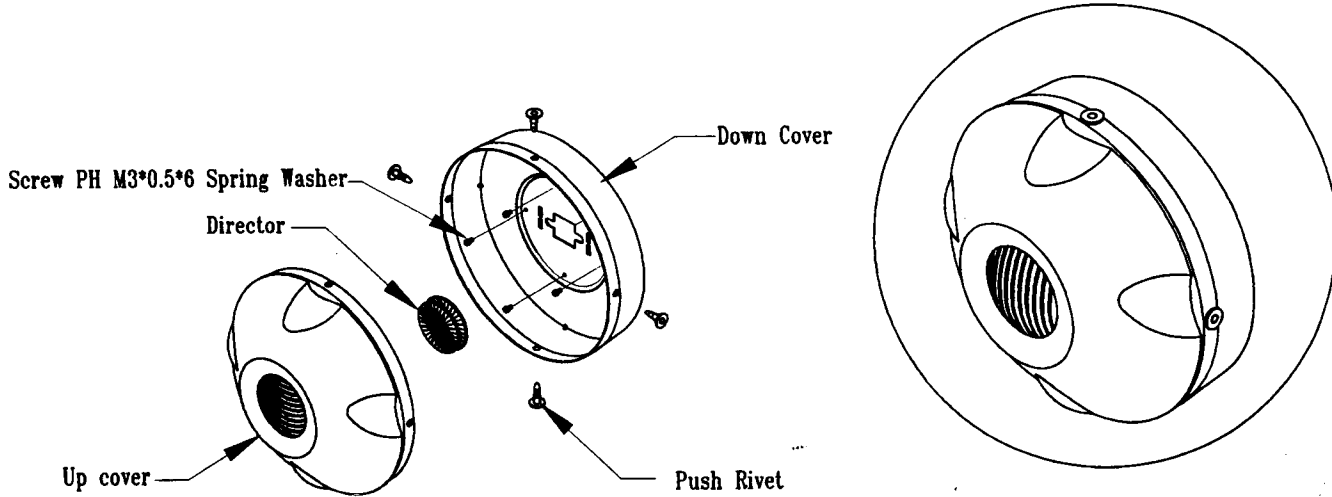
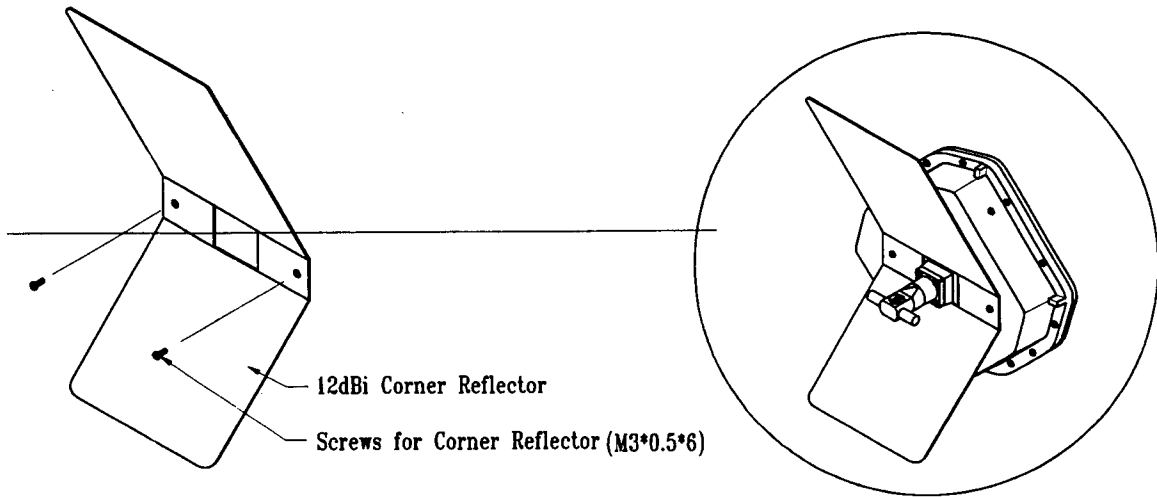
TranSystem PEGASUS (Two Way MMDS Transceiver) and Accessories



N-Type ADAPTER (Application detail on 8-8)



Accessories for PEGASUS

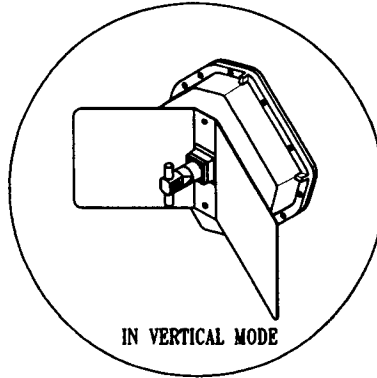
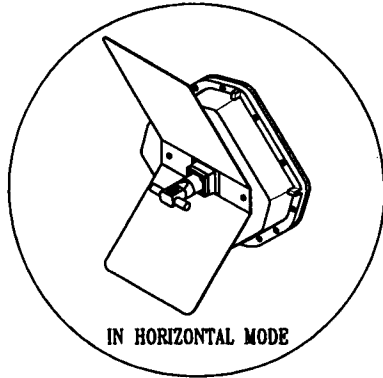


 **TRANSYSTEM, INC.**

445405301A

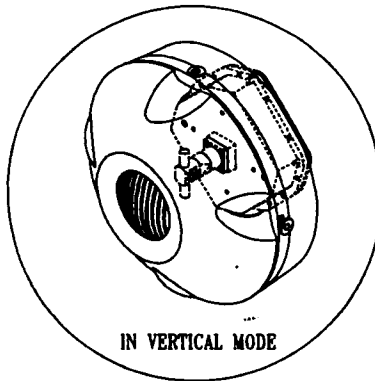
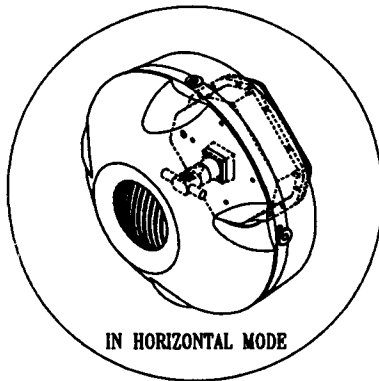
PEGASUS with Various Antenna Gain Combination

PEGASUS integrated with 12dBi Corner Reflector



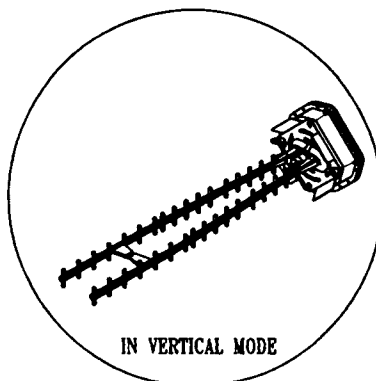
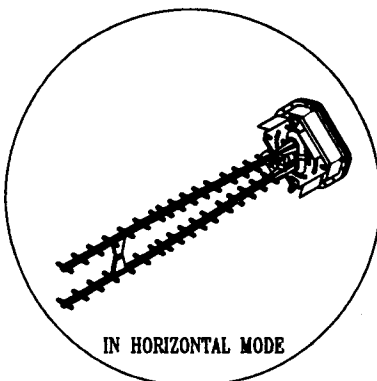
Check 8-4 for detail

PEGASUS integrated with 15dBi Backfire



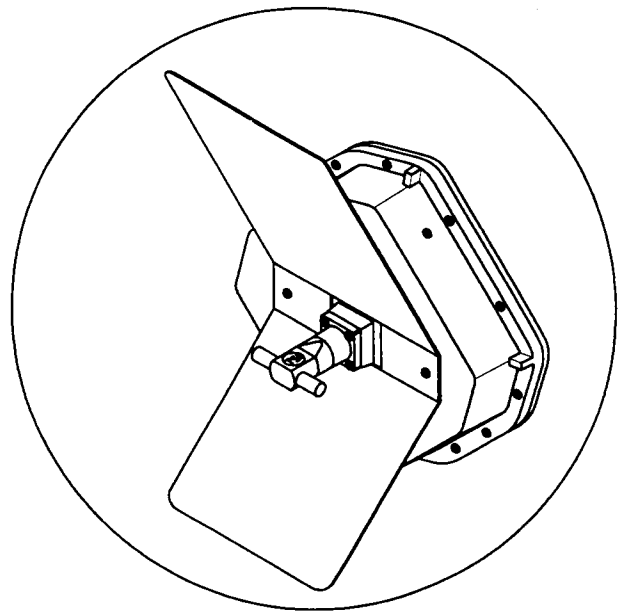
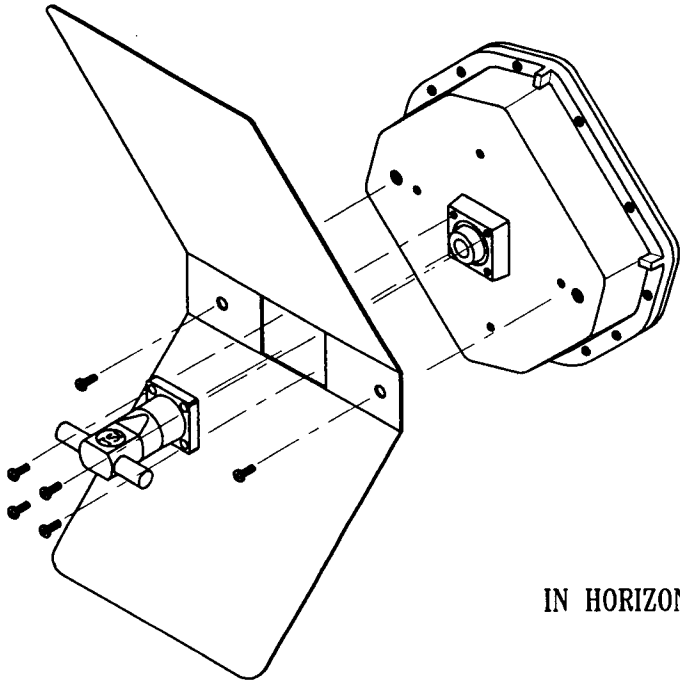
Check 8-5 for detail

PEGAUSU integrated with 18dBi Yagi

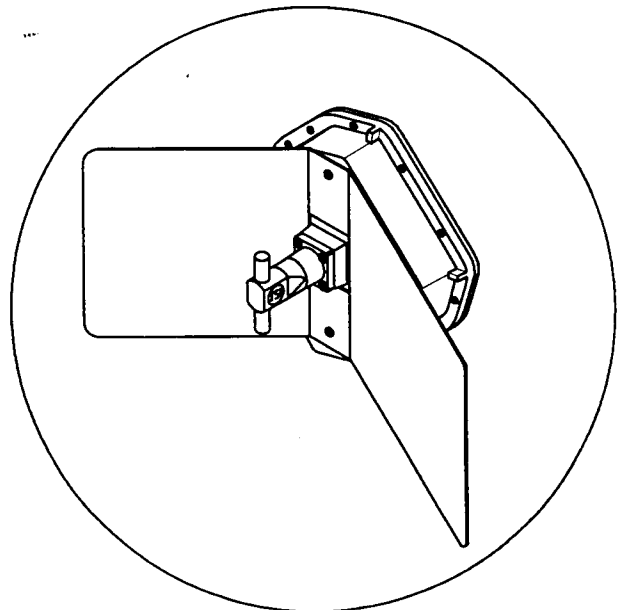
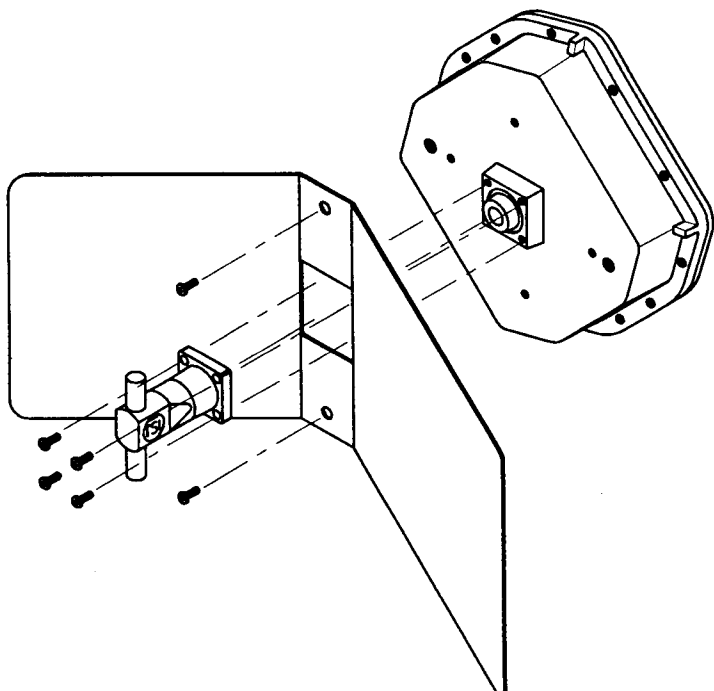


Check 8-6 for detail

PEGASUS integrated with 12dBi Corner Reflector

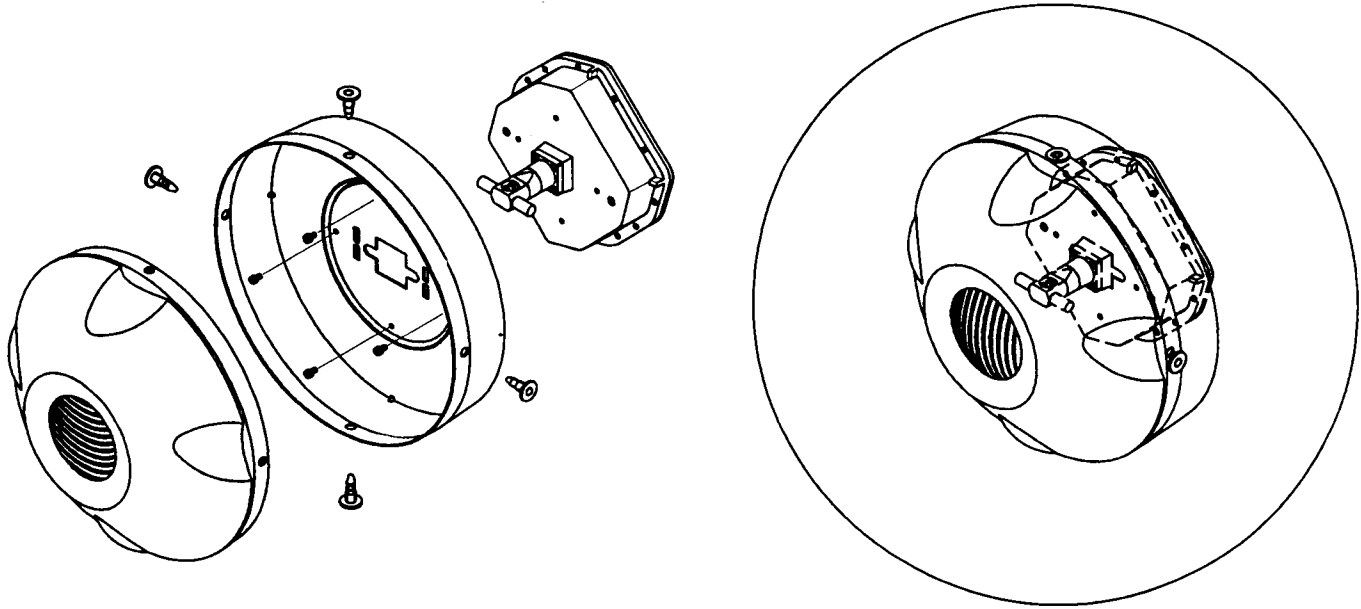


IN HORIZONTAL MODE

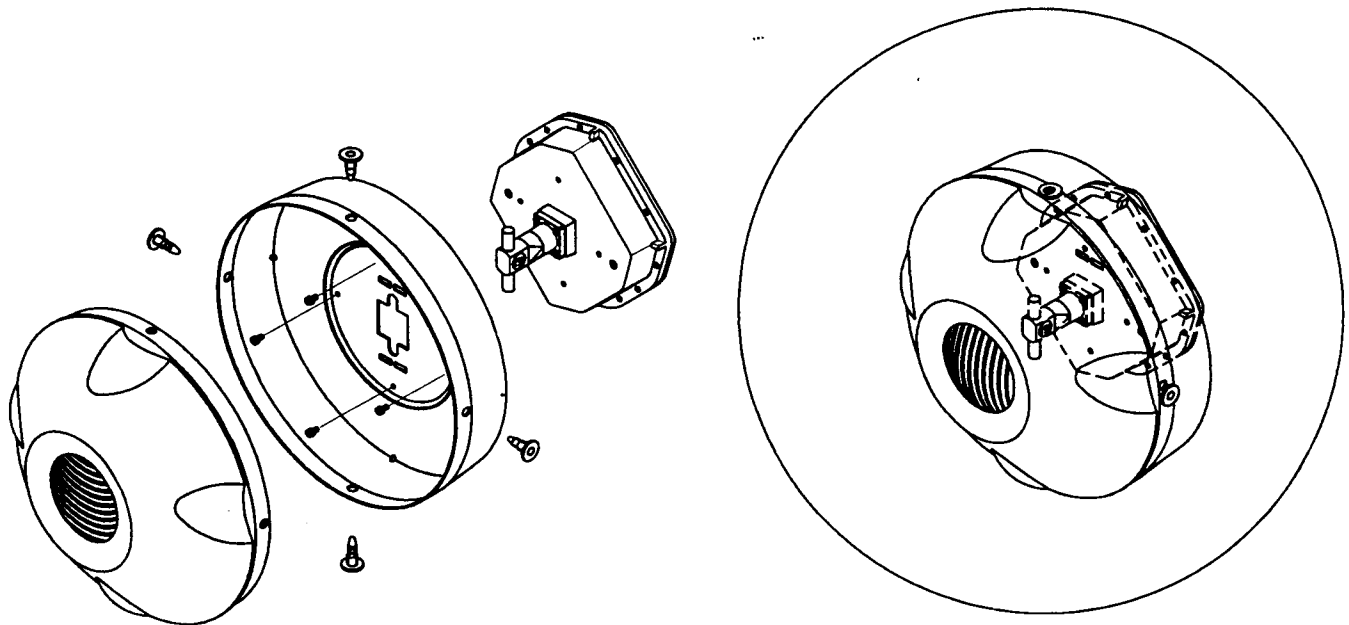


IN VERTICAL MODE

PEGASUS Integrated with 15dBi Backfire Antenna

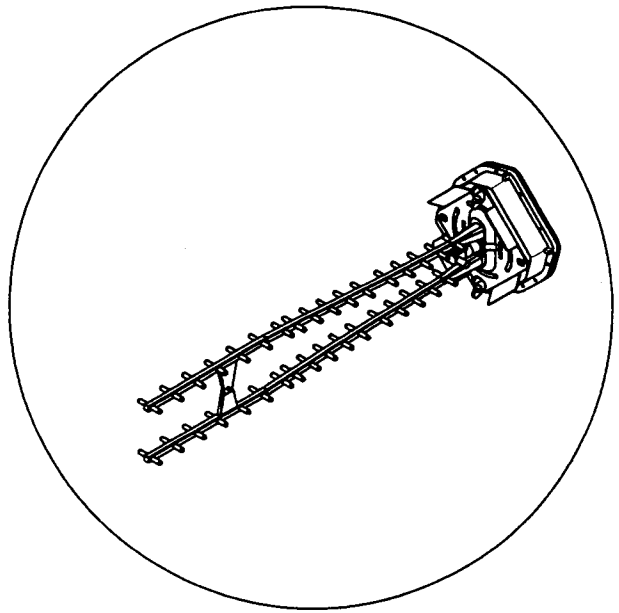
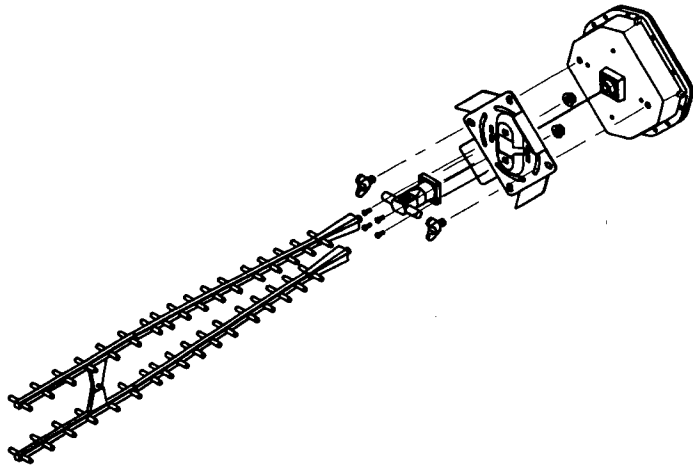


IN HORIZONTAL MODE

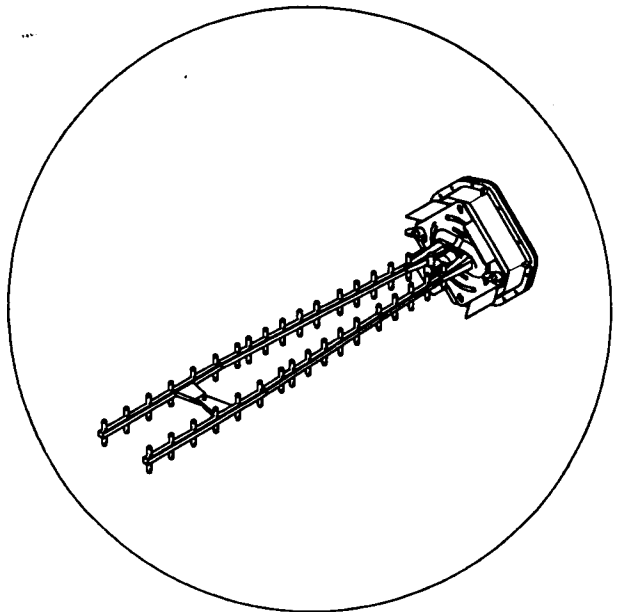
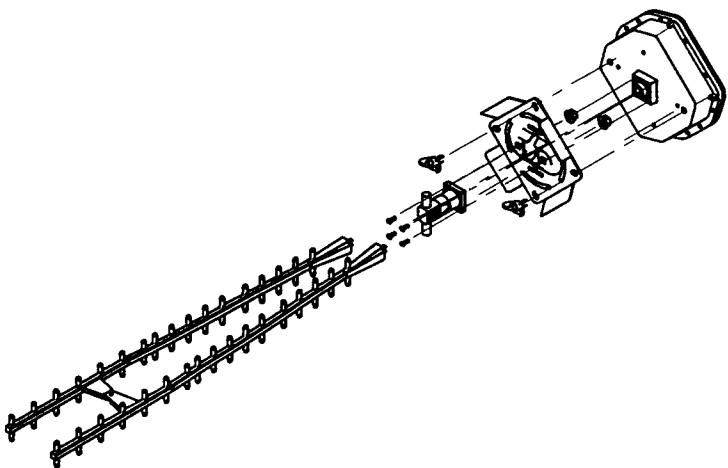


IN VERTICAL MODE

PEGASUS integrated with 18dBi Yagi Antenna

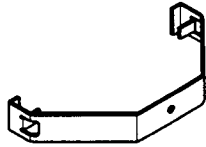


IN HORIZONTAL MODE



IN VERTICAL MODE

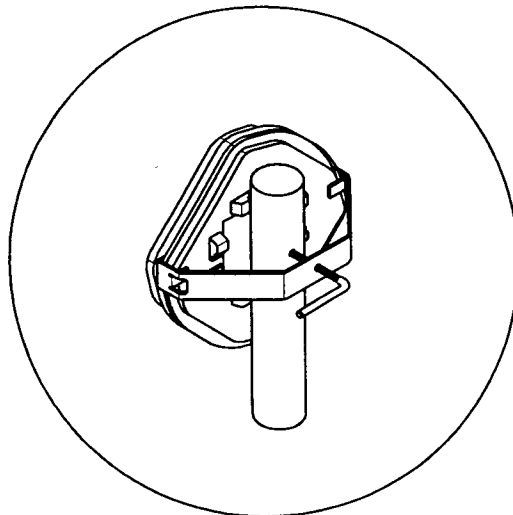
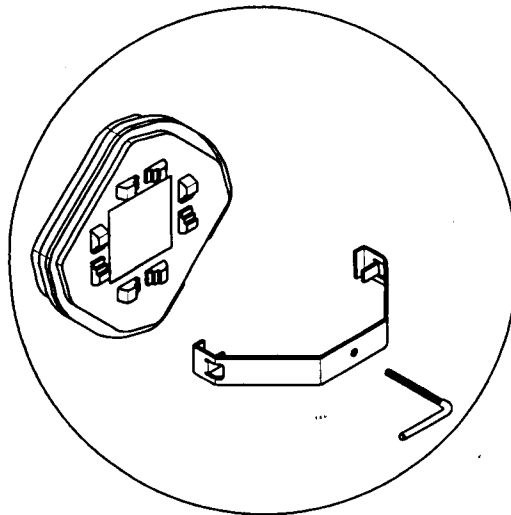
PEGASUS Mounting Bracket Assembly Guide



BRACKET



SCREW(M6*1.0)

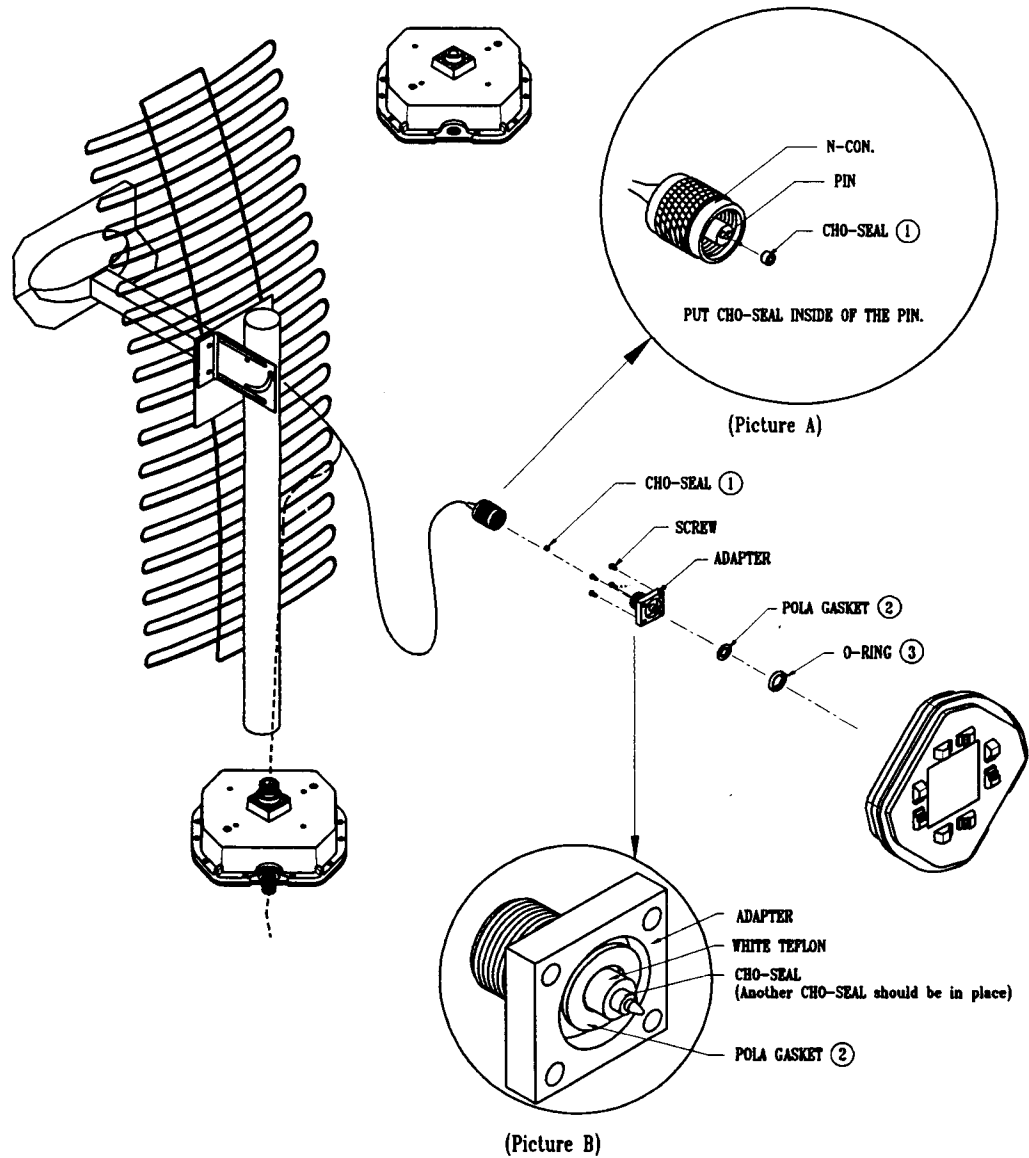


PEGASUS for Standalone application

- . Take off DIPOLE ANTENNA.
- . Replace CHO-SEAL to inside the PIN of cabled N-Connector as Picture A.
- . Replace POLA GASKET and O-RING in between Adaptor and SIDC'S I/P.
- . Screw tight on.
- . Fix SIDC on the mounting pole.



- --- CHO-SEAL ①
- --- POLA GASKET ②
- --- O-RING ③



NOTE: CHO-SEAL is to make a double protection for good electrical conduct.