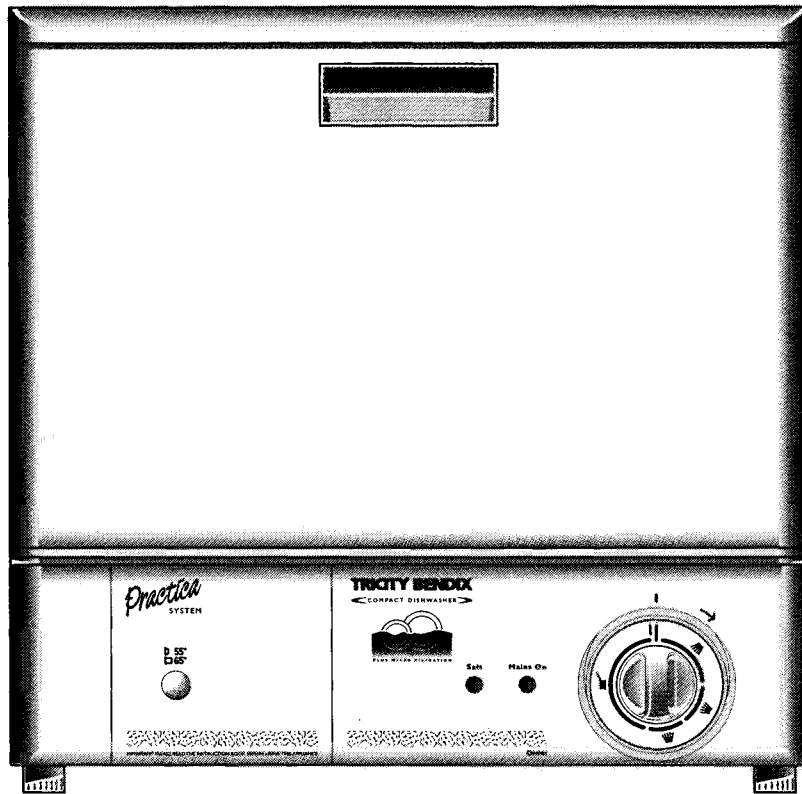


# TRICITY BENDIX

Better Products. Better Value.



## COMPACT DISHWASHER

INSTRUCTION BOOKLET

MODEL NO

DH041

# **IMPORTANT SAFETY INFORMATION**

**It is most important that this instruction book should be retained with the appliance for future reference. Should the appliance be sold or transferred to another owner, or should you move house and leave the appliance, always ensure that the book is left with the appliance in order that the new owner can get to know the functioning of the appliance and the relevant safety informations.**

**This information has been provided in the interest of safety. You MUST read carefully before installing or using the appliance.**

## **Installation**

- This appliance is heavy. Care should be taken when moving it.
- It is dangerous to alter the specifications or attempt to modify this product in any way.
- Care must be taken to ensure that the appliance does not stand on the electrical supply cable.
- Any electrical work required to install this appliance should be carried out by a qualified electrician or competent person.
- Any plumbing work required to install this appliance should be carried out by a qualified plumber or competent person.

## **Child Safety**

- This appliance is designed to be operated by adults. Children should not be allowed to tamper with the controls or play with the product.
- Keep all packaging well away for children.
- Keep all detergents in safe place out of children's reach.


## **During Use**

- Items that are contaminated by petrol, paint, steel or iron debris, corrosive, acidic or alkaline chemicals must not be washed in this dishwasher.
- Under no circumstances should you open the door whilst the appliance is in operation. Always turn off the appliance before opening the door.
- Only use detergent specifically designed for use in dishwashers.
- Long bladed knives stored in an upright position are a potential hazard.
- Long and/or sharp items of cutlery such as carving knives must be positioned horizontally in the basket.

- When finishing loading or unloading close the door, as an open door can be a hazard.
- Isolate the appliance from the power supply and turn off the water supply after use.
- Care should be taken when cleaning the bottom door seal and hinge area as any exposed metal edges may cut if care is not taken.
- This product should be serviced by an authorised Service engineer, and only genuine spare parts should be used.
- Under no circumstances should you attempt to repair the machine yourself. Repairs carried out by inexperienced persons may cause injury or serious malfunctioning. Contact your local Service Force Centre. Always insist on genuine spare parts.

## **Conservation**

In the interest of the environment:

- Materials marked with the symbol  are recyclable.
- Check with your local Council or Environmental Health Office to see if there are facilities in your area for re-cycling this appliance.
- When the appliance is to be scrapped, cut off the power supply cable and make the door closing device unusable to prevent young children from being trapped inside.
- Help to keep your country tidy - use authorised disposal sites for your old appliance.

---

# CONTENTS

---

<b>Important safety information</b>	<b>3</b>
<b>Contents</b>	<b>5</b>
<b>Technical Specifications</b>	<b>5</b>
<b>General advice</b>	<b>6</b>
<b>Positioning and Installation</b>	<b>7</b>
<b>Care and cleaning</b>	<b>10</b>
<b>Test the machine by running a cycle</b>	<b>13</b>
<b>How to load the dishwasher</b>	<b>14</b>
<b>Using your machine</b>	<b>15</b>
<b>Maintenance and cleaning</b>	<b>16</b>
<b>Something not working</b>	<b>17</b>
<b>Service and spare parts</b>	<b>18</b>
<b>Customer Care Department</b>	<b>18</b>
<b>Guarantee conditions</b>	<b>19</b>
<b>Tricity Bendix Service Force</b>	<b>20</b>

---

## TECHNICAL SPECIFICATIONS

---

<b>Capacity:</b>	4 (standard IEC place settings) + 4 cups
<b>Dimensions:</b>	Width 450 mm, Height 460 mm, Depth 480 mm
<b>Weight:</b>	17 kg (net) 20 kg (gross)

### ELECTRICITY

<b>Voltage:</b>	240V, single-phase, 50 Hz
<b>Fuse:</b>	13 A
<b>Mains lead:</b>	Length 1.7 m with plug for connection to 240V earthed socket.
<b>Rating heating element:</b>	1300 W
<b>Total:</b>	1380 W

### WATER SUPPLY

<b>Water pressure:</b>	Min 5 psi Max 150 psi
<b>Temperature:</b>	Max. 65°C

---

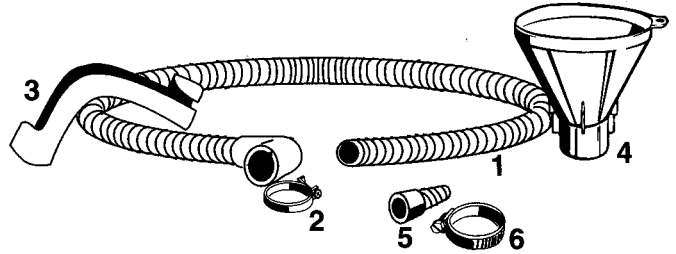
This appliance complies with E.E.C. directive Np. 87/308 of 2.6.87 relative to radio interference suppression.

## GENERAL ADVICE

Remove all packaging before positioning the machine.

Check that the following accessories are supplied with the dishwasher when you unpack it:

- Discharge hose (1)
- Hose clip (2) for discharge hose on dishwasher.
- Elbow for discharge hose (3)
- A funnel for filling with salt (4)
- A rubber nozzle for the discharge hose (5)
- Hose clip for the rubber nozzle (6)

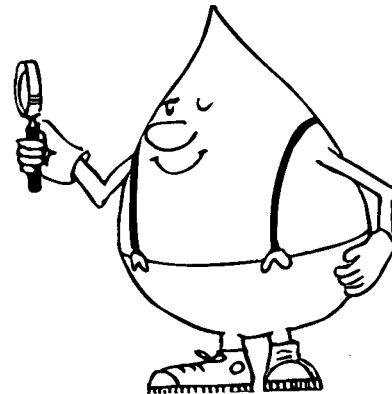


### DAMAGE IN TRANSIT

If you discover that the machine has suffered any damage in transit to you, this should be reported as soon as possible to whoever is responsible for its transportation. Please note that the guarantee does not cover damage caused by transportation.

### APPLICATIONS

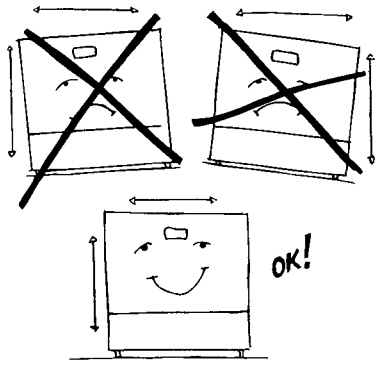
This dishwasher is designed for washing household utensils only. Using it for other purposes may damage it and invalidate the guarantee.



### FROST PRECAUTIONS

Avoid placing the machine in a location where the temperature is below 0°C. If this is unavoidable, empty the machine, close the water inlet tap, disconnect the water inlet pipe and empty it.

# POSITIONING AND INSTALLATION



The dishwasher is intended for installation on a kitchen sink or worktop. It is important to ensure the dishwasher is level to avoid any difficulty opening and closing the door. Its height can be adjusted with the adjustable feet (8 mm each) in each corner of the dishwasher.

## WATER SUPPLY

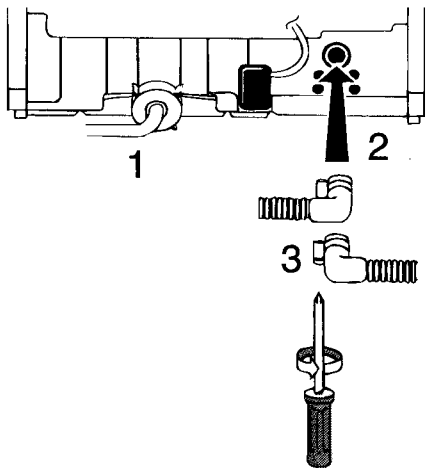
The dishwasher should be permanently plumbed into a separate cold water supply.

The water pressure must be within the limits given in the technical specifications, as it will not function correctly if pressure is outside these specifications.

Your local Water Authority will advise you on the average mains pressure in your area. Where the water is supplied from a cold water cistern you can work out the pressure yourself by measuring the vertical distance (or 'Head') between the machine's inlet hose, and the outlet from the cold water storage cistern; allowing .86 psi for every 2 feet under normal conditions.

We would advise you to have a shut-off valve or stopcock in the water supply pipe close to the dishwasher and accessible for easy use. This should be turned off when the appliance is not in use.

Insert the combination rubber washer/filter and connect the inlet hose (1) to a tap with a 3/4" pipe thread. If necessary, use the restrictor supplied. The inlet hose must not be joined onto any form of extension hose. If it is too short, the entire hose must be replaced with a longer high-pressure hose, specially designed for the purpose. The machine end of this hose can be turned in any direction. Loosen the retaining nut, turn the hose, then retighten the nut.



## DISCHARGE CONNECTION

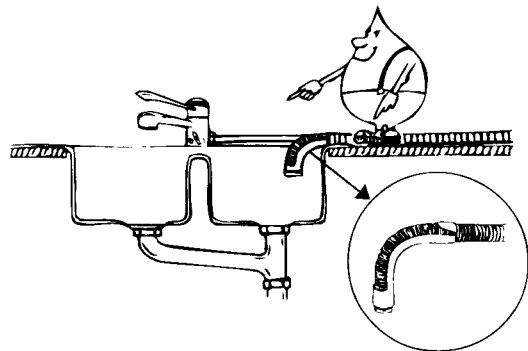
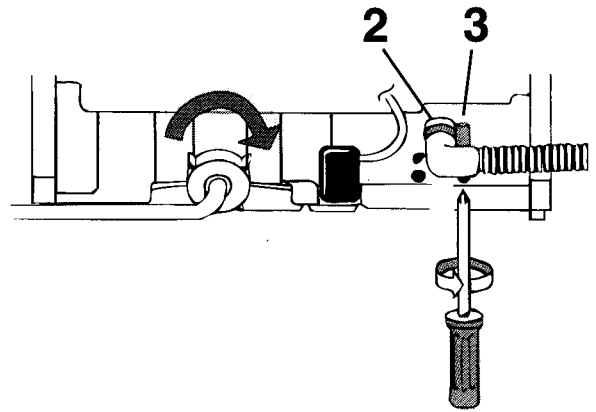
The grey discharge hose should be permanently plumbed in. If this is not possible, it can be placed in the sink to drain. Don't forget that the water will come out with some force, so position the pipe so that the force of the water will not push the hose out of the sink. Ensure the sink outlet is not blocked.

Connect the discharge hose to the pipe stub at the rear of the dishwasher, using the hose clip supplied. It is important to push the discharge hose (2) onto the pipe stub as far as it will go and tighten the hose clip (3) as hard as possible. Make sure that the hose clip is pushed as far towards the cabinet as possible in order that it is covering both pipes completely. If you are draining directly into the sink, there is an angled piece supplied which should be fitted over the pipe to support it.

The discharge hose must not at any point rise higher than the top of the dishwasher. If it runs higher, operation of the dishwasher might be impaired. It is also important to ensure that the inside diameter of the hose is not less than 13 mm at any point. If the discharge hose is too long it can easily be cut to the right length.

- Cut the hose to a suitable length, using a sharp knife.
- Fit the elbow supplied onto the end of the hose.

Do not extend the hose under any circumstances as this could affect the operation of the dishwasher.



## ELECTRICAL CONNECTION



**WARNING: THIS APPLIANCE MUST BE EARTHED.**

The manufacturer declines any liability should this safety measure not be observed.

If the plug that is fitted to your appliance is not suitable for your socket outlet, it must be cut off and the appropriate plug fitted.

Remove the fuse from the cut off plug.

The cut off plug should then be disposed of to prevent the hazard of shocks in case it should be plugged into a 13amp socket in another part of your home.

### Important

The wires in the mains lead are coloured in accordance with the following code:

<b>Green and Yellow</b>	<b>Earth</b>
<b>Blue</b>	<b>Neutral</b>
<b>Brown</b>	<b>Live</b>

If you fit your own plug, the colours of the wires in the mains lead of your appliance may not correspond with the markings identifying the terminals in your plug, proceed as follows:

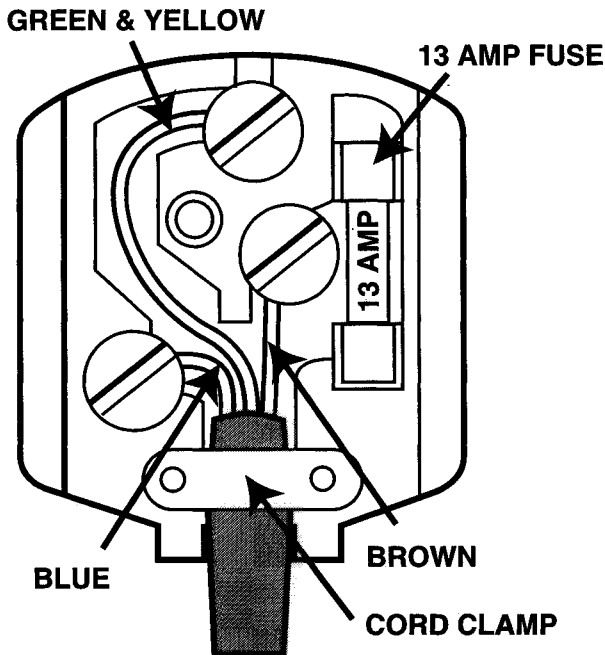
- Connect the **Green and Yellow** (earth) wire to the terminal in the plug which is marked with the letter «E» or the earth symbol  $\oplus$ , or coloured green and yellow.
- Connect the **Blue** (neutral) wire to the terminal in the plug which is marked with the letter «N» or coloured black.
- Connect the **Brown** (live) wire to the terminal in the plug which is marked with the letter «L» or coloured red.

The plug moulded onto the lead incorporates a fuse. For replacement, use a 13amp BS1362 fuse. Only ASTA or BSI approved fuses should be used.

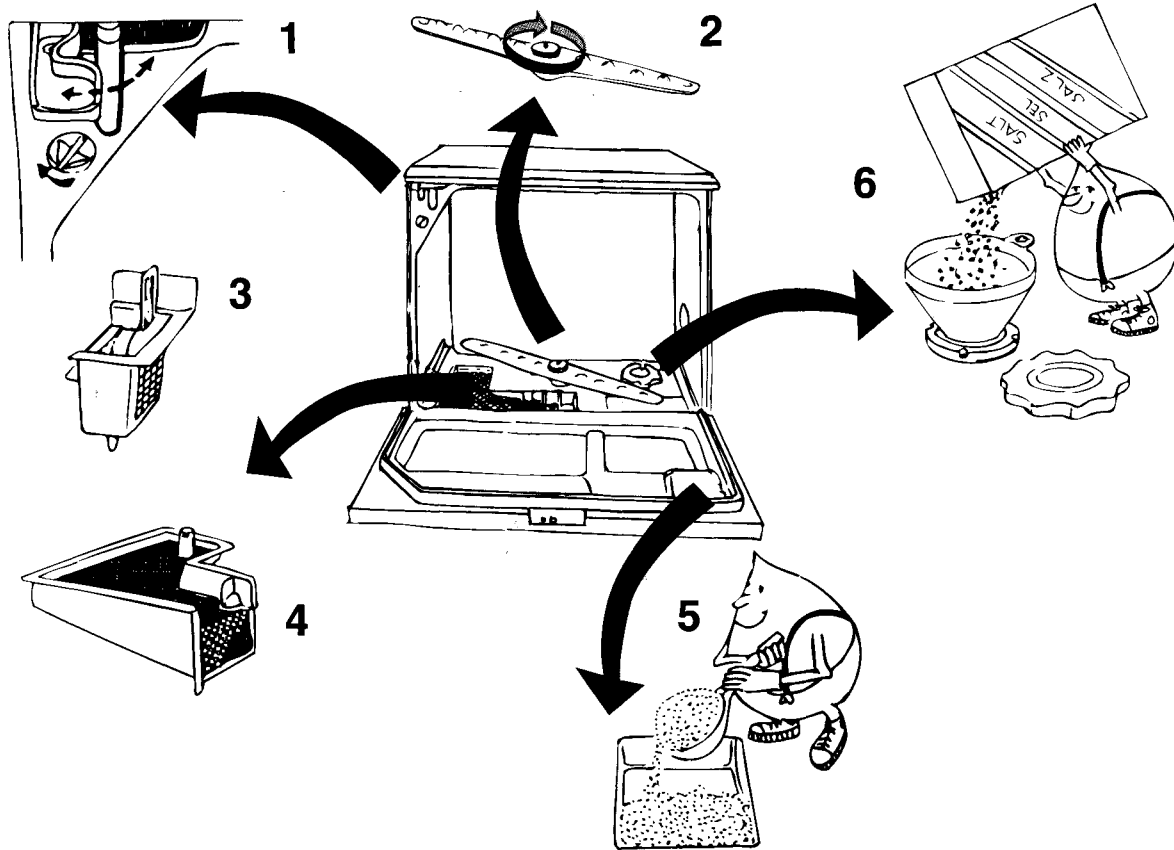
The plug must not be used if the fuse cover/carrier is lost. The cover/carrier is indicated by the coloured insert at the base of the plug.

A replacement cover/carrier must be obtained from your local Tricity Bendix Service Centre whose address is listed at the rear of this book.

**Please ensure that when the appliance is installed it is easily accessible for the engineer in the event of a breakdown.**



# CARE AND CLEANING



## DETERGENT RECOMMENDATIONS

For best results we recommend the use of Finish detergents, rinse aid and salt.



A complimentary sample pack is included in your new dishwasher.



---

## **RINSE AID DISPENSER (1)**

Use of rinse aid will result in faster drying of the load and gives the dishes a shiny finish. It may be necessary to adjust the quantity of rinse aid dispensed if you live in either a very hard water or a very soft water area. More is needed for hard water and less for soft water. Leave the dispenser in its preset position when you first use the dishwasher and only adjust if, after a few cycles, you notice the following:

- Crockery remaining dull looking and/or showing occasional round spots. If this happens, increase the quantity of rinse aid by turning the red dial below the filter trough clockwise.
- Crockery feeling sticky or showing whitish spots. If this happens, decrease the quantity of rinse aid by turning the red dial below the filler trough anti-clockwise.

The dispenser holds about 140 ml. This is enough for 40-70 wash cycles, depending on the dosage setting. When the rinse aid level is approaching the bottom of the scale it is time to refill the dispenser. Swivel out the filler trough and carefully fill up with rinse aid until the level reaches up to the red mark on the level indicator tube. Do not overfill, and carefully wipe off any spillage with a damp cloth immediately. Don't forget to close the filler trough afterwards. Note! Do not fill the rinse aid dispenser with liquid detergent.

## **SPRAY ARM (2)**

It is important to keep all the holes in the spray arm clear. If the spray arm becomes blocked this will affect washing efficiency. If the spray arm needs cleaning, unscrew the nut clockwise (left-hand thread) and lift off the spray arm. Clear the holes and shake out any food particles.

## **COARSE STRAINER (3)**

The purpose of the coarse strainer is to catch large objects such as toothpicks and pieces of eggshell. Make sure that the strainer is always clean. Lift it out and rinse it under running water whenever necessary.

## **FINE FILTER (4)**

It is just as important to keep this filter clean. A dirty or clogged filter will impair washing efficiency. The fine filter can easily be lifted out for cleaning when you have removed the coarse strainer.

## **DETERGENT DISPENSER (5)**

Before starting any of the dishwashing programmes, load the detergent in the compartment.

Unsuitable detergents (such as those for washing by hand) do not contain the right ingredients for machine washing and hamper correct functioning of the dishwasher.

Add the detergent after loading the machine. Pour the detergent into the compartment. The recommended amount of detergent is 15 g.

Since not all detergents are the same, you should also consult the instructions on the packet. Remember that insufficient quantities of detergent will produce poor washing results whereas an excessive amount of detergent does not improve washing results and is also wasteful. Using the correct amount of detergent also contributes to reducing pollution.

## **WATER SOFTENER (6)**

This dishwasher is equipped with a water softener for hard (chalky) water, therefore the rinse aid dispenser should be set for a low dosage.

The lime (chalk) in hard water causes white deposits to occur on dishes and the interior of the dishwasher. To prevent this, the water has to pass through a special container where its hardness is removed. Since the water softener consumes coarse dishwasher salt, you will have to replenish the salt container after a certain number of dishwashing cycles.

The salt container is on the right hand side of the base of the dishwasher, towards the back. To remove the cap, turn anti-clockwise and lift off.

Proceed as follows:

- Fill up with water(only the first time) and afterwards with coarse dishwasher salt. Ordinary domestic salt will affect the efficiency of the water softener and damage it. Use the funnel supplied with the dishwasher. Water will come out of the container as you fill with salt. This is normal. You will need about 1.3 kg of salt to start with, you should see the level of salt near the top of the container. This is enough for about 20 - 30 dishwashing cycles.
- Remove the funnel and replace the cap,
- When the machine is in operation, the salt container should be topped up after approximately 20-30 washes. Always ensure there is water in the salt container before filling salt.

### Caution

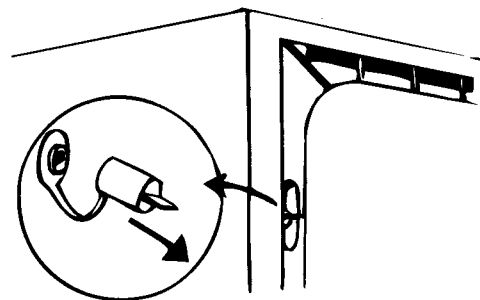
*Only fill with salt just before starting one of the complete washing programmes. This will prevent any grains of salt or salty water, which may have been spilled, remaining in the bottom of the machine for any period of time, This could cause corrosion.*

### WATER SOFTENER PLUG

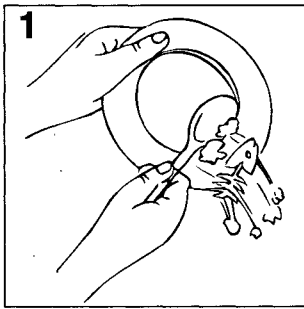
As supplied from the factory, the water softener is set for a water hardness of up to 20°dH (28°tH). If your water is harder than this, you can increase the capacity of the water softener by pulling out the rubber plug at the rear of the dishwasher on the left hand side viewed from the back. See illustration.

Contact your local Water Authority to find the exact water hardness level for your area.

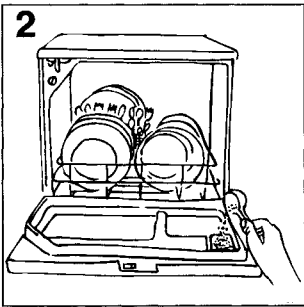
Never run the dishwasher without salt in the container as this may damage the water softener. If the damage is slight, the water-softener function can be partially restored by filling the container with salt and then running the Normal cycle 4-5 times.



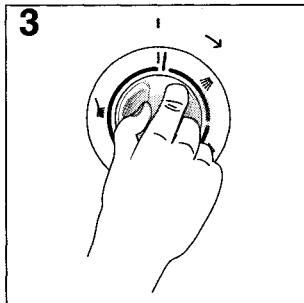
# TEST THE MACHINE BY RUNNING A CYCLE



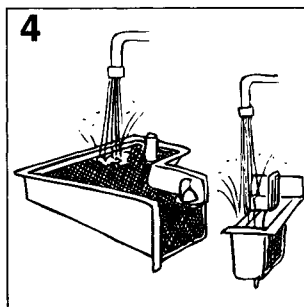
1 Scrape off solid food remnants.



2. Load the dishwasher.  
(See page 14: "How to load the dishwasher").  
Pour approx 15 g detergent into the detergent compartment inside the door. If the dishes are normally or heavily soiled add an extra 5 g anywhere on the inside of the door. Close the door.



3. Plug in the dishwasher  
Start the dishwasher by turning the programme knob to the "On" position.



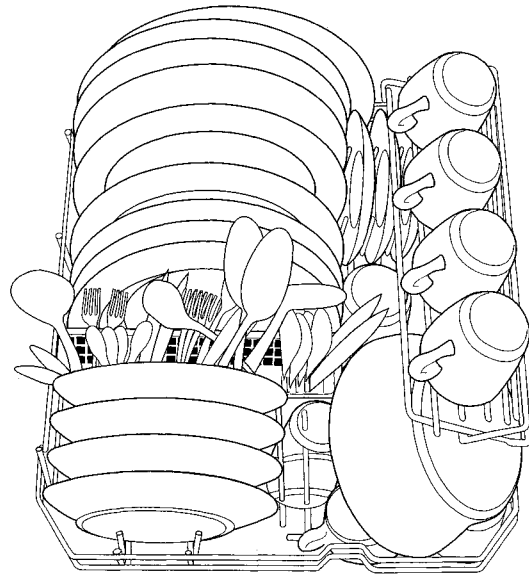
4. At the end of the programme switch off the dishwasher by turning the programme knob until the programme knob is in a vertical position in line with the thick mark on the fascia. When the crockery has been removed, clean the filters and turn off the water supply. To isolate the dishwasher from the mains completely, unplug it from the wall socket.

# HOW TO LOAD THE DISHWASHER

The illustration shows the machine loaded with four standard place settings. Your own dishes are not likely to be identical to this load, but if you follow the advice below we are sure you will be pleased with the results.

- Always place glasses, cups and bowls upside down.
- Incline deep dishes (soup plates etc.) so that the water can run off when drying.
- Make sure that the dishes do not rest against each other. This is particularly important in regard to the cutlery basket - nested spoons, etc. simply cannot be properly washed. **MAKE SURE THAT THE WATER CAN GET AT ALL THE SOILED SURFACES.**
- Make sure that cutlery with slender handles and other items do not protrude through the openings in the basket and prevent the spray arm from rotating.
- Never put silver and stainless steel objects together. When these metals come into contact with each other a chemical reaction occurs which stains the silver.
- China with a pattern applied on top of the glaze may not be suitable for machine washing as the colours may fade and lose their lustre. The same applies to cutlery with wooden or plastic handles.

- The dishwasher door should be kept closed except during loading or unloading as an open door can be a tripping hazard.
- Knives stored in an upright position are a potential hazard.
- Long and/or sharp utensils such as carving knives and forks must be positioned horizontally in the basket or hand washed.

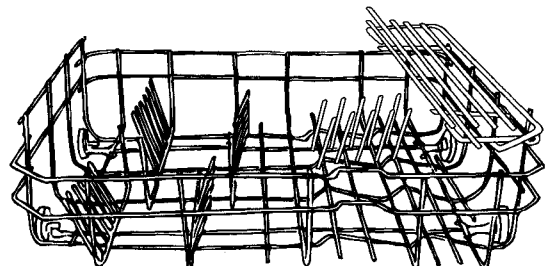
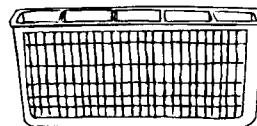


## ALWAYS BUY ARTICLES THAT ARE MACHINE WASHABLE IN FUTURE.

- Not all plastic articles are machine washable. If you are in doubt as to whether your plastic-ware can be washed in the machine, we suggest you check by washing a single item or else wash them by hand.
- Aluminium becomes dull and tarnished when machine washed. The machine gets it clean, but at the expense of its appearance.
- Substances such as ketchup containing strong colouring agents can cause temporary discoloration in the machine.

## RACK AND BASKET

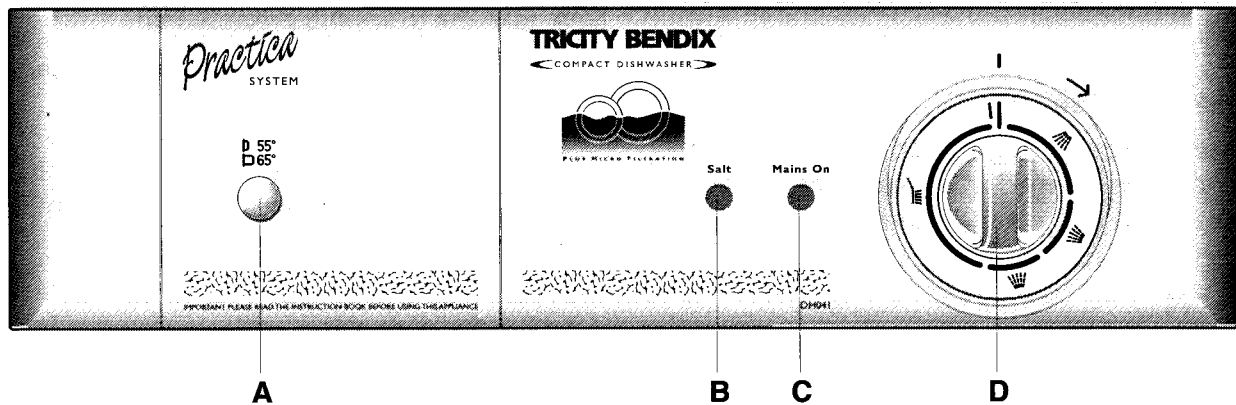
- 1 Cutlery basket
- 2 Dish rack



# USING YOUR MACHINE

Approximate consumption levels of electricity and water are given in the following table.

CONSUMPTION PER CYCLE			
SETTING	Cold water supply at 15°C		
Cycle temperature	Energy kWh	Time mins	Water litres
65°C	0.8	58	13



A= Temperature Selector  
B= Salt Indicator Light

C= On/Off indicator light  
D= Programme Selector / On/Off switch

## A • TEMPERATURE SELECTOR

55° - Button in  
65° - Button out

## B • SALT INDICATOR LIGHT

This light will illuminate when the salt level is low.

## C • ON/OFF INDICATOR LIGHT

The lamp indicates that the wash cycle is on.

## D • PROGRAMME SELECTOR / ON/OFF SWITCH

The On/Off switch is built into the programme selector. The light goes out when the machine has completed the wash cycle. To isolate the dishwasher from the mains completely, unplug it from the wall socket.

## STARTING THE MACHINE

To start the machine:

- Plug in the dishwasher to the mains supply
- Turn the selector knob to the programme start

**Note! The programme selector must only be turned in the direction indicated by the arrow (clockwise).**

## DOOR LOCK

To open the door, press the handle down. Avoid opening the door when the machine is running. If you open the door a little when the dishwasher has finished washing, the dishes will be just as dry after a short while.

---

# MAINTENANCE AND CLEANING

---

## Important

Make sure that the machine is unplugged and the water turned off before undertaking any kind of maintenance.

## General cleaning

Inspect the filters and spray arm nozzle before re-loading the machine and remove any food scraps. Wipe round the rubber gasket at the bottom of the door to remove grease which tends to collect there.

## Cleaning the filters

There are two filters, a coarse one and a fine one which should be cleaned after every wash. Lift out these filters which are in the base of the dishwasher and wash under running water.

## CAUTION

***The dishwasher must not be used without the filters. Incorrect repositioning of the filters will produce poor washing results.***

***Cleaning of the filters is vital to ensure correct operation of the machine***

## Cleaning the spray arm nozzle

The holes in the spray arm nozzle must be kept free of scraps for the efficiency of the washing action. Inspect the spray arm regularly. When thorough cleaning is necessary, remove the spray arm by unscrewing the nut clockwise (it has a left-handed thread) and lift off the spray arm.

Wash the spray arm with hot soapy water using a stiff saucepan brush if necessary to remove scraps.

Re-assemble carefully, making sure the nut is secure.

## Cleaning the cabinet

Wipe the outside of the cabinet and control panel regularly with a soft damp cloth. When necessary, use liquid kitchen or household cleaner to remove stubborn marks, rinse with a damp cloth and rub up with a soft duster.

Never use abrasive cleaners which could damage the surface, ie: scouring pads or solvents (acetone, trichloroethylene, etc).

If the machine is not going to be used for some time, take the following precautions:

- Unplug the machine and turn off the water supply.
- Fill up the rinse aid container.
- Make sure the tub is clean by carrying out a wash programme (without any crockery) using Finish Dishwasher cleaner, then dry the inside thoroughly.
- Leave the door ajar.

## Moving the machine

If you have to move the machine (you are moving house, etc):

- unplug it
- Turn off the water tap
- Remove the water inlet and discharge hoses

## CAUTION

***Avoid tilting the machine during transportation.***

# SOMETHING NOT WORKING

Certain problems are due to lack of simple maintenance or oversights and can be solved easily without having to call out an engineer.

## The machine will not start

- The door has not been properly closed.
- The plug is not properly inserted in the power socket.
- There is no current at the socket. Check the fuse.

## The machine will not fill with water

- The water tap is shut
- The water supply has been cut off
- The inlet hose is kinked
- The water inlet hose filter is clogged

## The machine will not drain

- The drain hose is kinked
- The sink drain is blocked
- The drain hose extension is not correct
- There is no air vent in the end of the drain hose

## The dishes are not clean (poor wash)

- The baskets are too full
- The dishes have not been arranged properly
- The spray arm does not rotate
- The spray arm holes are clogged
- The filters are clogged
- The filters are not in position
- Not enough detergent has been used or it is unsuitable
- The detergent is old or has gone hard
- The salt container cap is not properly closed
- The end of the drain hose is submersed in waste water (in the sink)

## Visible lime deposits or white film on the dishes

- There is no salt or the softener has not been adjusted to the hardness of the water
- The rinse aid has run out or too little is being used

## The machine is noisy

- The dishes are rattling against each other
- The spray arm is knocking against the dishes

## The dishes are not quite dry

- The dishes have been left too long inside the machine

## The door is difficult to close

- The dishwasher is not level.

**Never attempt to repair the dishwasher yourself. Repairs carried out by unauthorised or inexperienced persons can cause injury or serious malfunctioning.**

If after all these checks, the problem persists, contact your local Tricity Bendix Service Force Centre, quoting the model and serial number.

Before calling, make a note of the details on the rating plate which is affixed to the rear of the dishwasher.

Note the following details:

Manufacturer: .....

Date of purchase: .....

Model: .....

Product number: .....

Serial number: .....

---

## SERVICE AND SPARE PARTS

---



In the event of your appliance requiring service, or if you wish to purchase spare parts please contact your local Tricity Bendix Service Force Centre by telephoning:

**0990 929929**

The address of your local Service Force Centre is detailed on the following pages headed Tricity Bendix Service Force.

Before calling out an engineer, please ensure you have read the details under the heading 'Something Not Working' and have the model number and purchase date to hand.

**Please note that it will be necessary to provide proof of purchase for any in-guarantee service calls. In-guarantee customers should ensure that the checks under the heading 'Something Not Working' have been made as the engineer will make a charge if the fault is not a mechanical or electrical breakdown.**

Please note that all enquiries concerning service should be addressed to your local Service Centre.

---

## CUSTOMER CARE DEPARTMENT

---

For general enquiries concerning your Tricity Bendix appliance or for further information on Tricity Bendix products please contact our Customer Care Department by letter or telephone as follows:

Customer Care Department  
Tricity Bendix  
PO Box 47  
Newbury  
Berkshire  
RG14 5XL

Tel: 01635 525 542



# GUARANTEE CONDITIONS

## Standard guarantee conditions

We, Tricity Bendix, undertake that if within 12 months of the date of the purchase this Tricity Bendix appliance or any part thereof is proved to be defective by reason only of faulty workmanship or materials, we will, at our option repair or replace the same FREE OF CHARGE for labour, materials or carriage on condition that:

- The appliance has been correctly installed and used only on the electricity supply stated on the rating plate
- The appliance has been used for normal domestic purposes only, and in accordance with the manufacturer's instructions
- The appliance has not been serviced, maintained repaired, taken apart or tampered with by any person not authorised by us
- All service work under this guarantee must be undertaken by a Tricity Bendix Service Force Centre
- Any appliance or defective part replaced shall become the Company's property
- This guarantee is in addition to your statutory and other legal rights

Home visits are made between **8.30am** and **5.30pm** Monday to Friday. Visits may be available outside these hours in which case a **premium** will be charged.

## Exclusions

### This guarantee does not cover:

- Damage or calls resulting from transportation, improper use or neglect, the replacement of any light bulbs or removable parts of glass or plastic
- Costs incurred for calls to put right an appliance which is improperly installed or calls to appliances outside the United Kingdom
- Appliances found to be in use within a commercial environment, plus those which are the subject to rental agreements
- Products of Tricity Bendix manufacture which are not marketed by Tricity Bendix

## European Guarantee

If you should move to another country within Europe then your guarantee moves with you to your new home subject to the following qualifications:

- The guarantee starts from the date you first purchased your product
- The guarantee is for the same period and to the same extent for labour and parts as exists in the new country of use for this brand or range of products
- This guarantee relates to you and cannot be transferred to another user
- Your new home is within the European Community (EC) or European Free Trade Area
- The product is installed and used in accordance with our instructions and is only used domestically, i.e. a normal household
- The product is installed taking into account regulations in your new country

Before you move please contact your nearest Customer Care centre, listed below, to give them details of your new home. They will then ensure that the local Service Organisation is aware of your move and able to look after you and your appliances.

France	Senlis	+33 (0)3 44 62 28 28
Germany	Nurnberg	+49 (0)911 323 2600
Italy	Pordenone	+39 (0)1678 47053
Sweden	Stockholm	+46 (0)8 78 77 50
UK	Newbury	+44 (0)1635 525 542

To contact your local Tricity Bendix Centre telephone 0990 929929

### CHANNEL ISLANDS

GUERNSEY	Guernsey Electricity PO Box 4 Vale, Guernsey Channel Islands
JERSEY	Jersey Electricity Company PO Box 45 Queens Road St Helier Jersey Channel Islands JE4 8NY

### SCOTLAND

ABERDEEN (M05)	8 Cornhill Arcade Cornhill Drive Aberdeen AB2 5UT
AUCHTERMUCHY (M03)	33A Burnside Auchtermuchy Fife KY14 7AJ
BLANTYRE (M07)	Unit 5 Block 2 Auchenraith Ind Estate Rosendale Way Blantyre G72 0NJ
DUMFRIES (M01)	93 Irish Street Dumfries Scotland DG1 2PQ
DUNOON (M67)	Briar Hill 7 Hill Street, Dunoon Argyll PA23 7AL
GLASGOW (M04)	20 Cunningham Road Clyde Estate Rutherglen, Glasgow, G73 1PP
INVERNESS (M06)	Unit 3B Smithton Indust. Est. Smithton Inverness IV1 AJ
ISLE OF ARRAN  (OWN SALES)	Arran Domestics Unit 4 The Douglas Centre Brodrick Isle of Arran KA27 8AJ
ISLE OF BARRA  (OWN SALES)	J Zerfah 244 Bruemish Isle of Barra Western Islands HS9 5QY
ISLE OF BUTE (M66)	Walker Engineering Glenmhor Upper Serpentine Road Rothesay Isle of Bute PA20 9EH
ISLE OF LEWIS	ND Macleod 16 James Street Stornoway Isle of Lewis PA87 2QW

ISLE OF LEWIS (M69)	ND Macleod 16 James Street Stornoway Isle of Lewis PA87 2QW
KELSO (M08)	2-8 Wood market Kelso Borders TD5 7AX
ORKNEY (M65)	Corsie Domestics 7 King Street Kirkwall Orkney KW15
SHETLAND  (OWN SALES)	Tait Electronic Systems Ltd. Holmsgarth Road Lerwick Shetland ZE1 0PW
SHETLAND  (OWN SALES)	Bolts Shetland Ltd 26 North Road Lerwick Shetland ZE1 0PE
WHALSAY  (OWN SALES)	Leask Electrical Harlsdale Symbister, Whalsay Shetland ZE2 9AA

### NORTHERN IRELAND

BELFAST (M27)	Owenmore House Kilwee Industrial Estate Upper Dunmury Lane Belfast BT17 0HD
------------------	---

### WALES

CARDIFF (M28)	Guardian Industrial Estate Clydesmuir Road Tremorfa, Cardiff CF2 2QS
CLYWD (M14)	Unit 6-7 Coed - Parc Abergele Road Rhuddlan Clwyd Wales LL18 5UG
OSWESTRY (M17)	Plas Funnon Warehouse Middleton Road Oswestry SY11 2PP
HAVERFORDWEST (M75)	Cromlech Lodge Amerlston Haverfordwest SA62 5DS

### NORTH EAST

GATESHEAD (M39)	Unit 356a Dukesway Court Dukesway Team Valley Gateshead NE11 0BH
GRIMSBY (M42)	Unit 2 Cromwell Road Grimsby South Humberside DN31 2BN
HULL (M41)	Unit 1 Boulevard Industrial Estate Hull HU3 4AY
LEEDS (M37)	64-66 Cross Gates Road Leeds LS15 7NN
Newton Aycliffe (M45)	Unit 16 Gurney Way Aycliffe Ind Estate Newton Aycliffe DL5 6UJ
Sheffield (M38)	Pennine House Roman Ridge Ind. Roman Ridge Road Sheffield S9 1GB

### NORTH WEST

BIRKENHEAD (M11)	1 Kelvin Park Dock Road Birkenhead L41 1LT
CARLISLE (M10)	Unit 8 South John Street Carlisle CA2 5AJ
ISLE OF MAN (M64)	South Quay Ind Estate Douglas Isle of Man
LIVERPOOL (M15)	Unit 1 Honeys Green Precinct Honeys Green Lane Liverpool L12 9JH
MANCHESTER (M09)	Unit 30, Oakhill Trading Estate Devonshire Road Worsley Manchester M28 3PT
PRESTON (M13)	Unit 250 Dawson Place Walton Summit Bamber Bridge Preston Lancashire PR5 8AL
STOCKPORT (M16)	Unit 20 Haigh Park Haigh Avenue Stockport SK4 1QR

# TRICITY BENDIX

  
Better Products. Better Value.