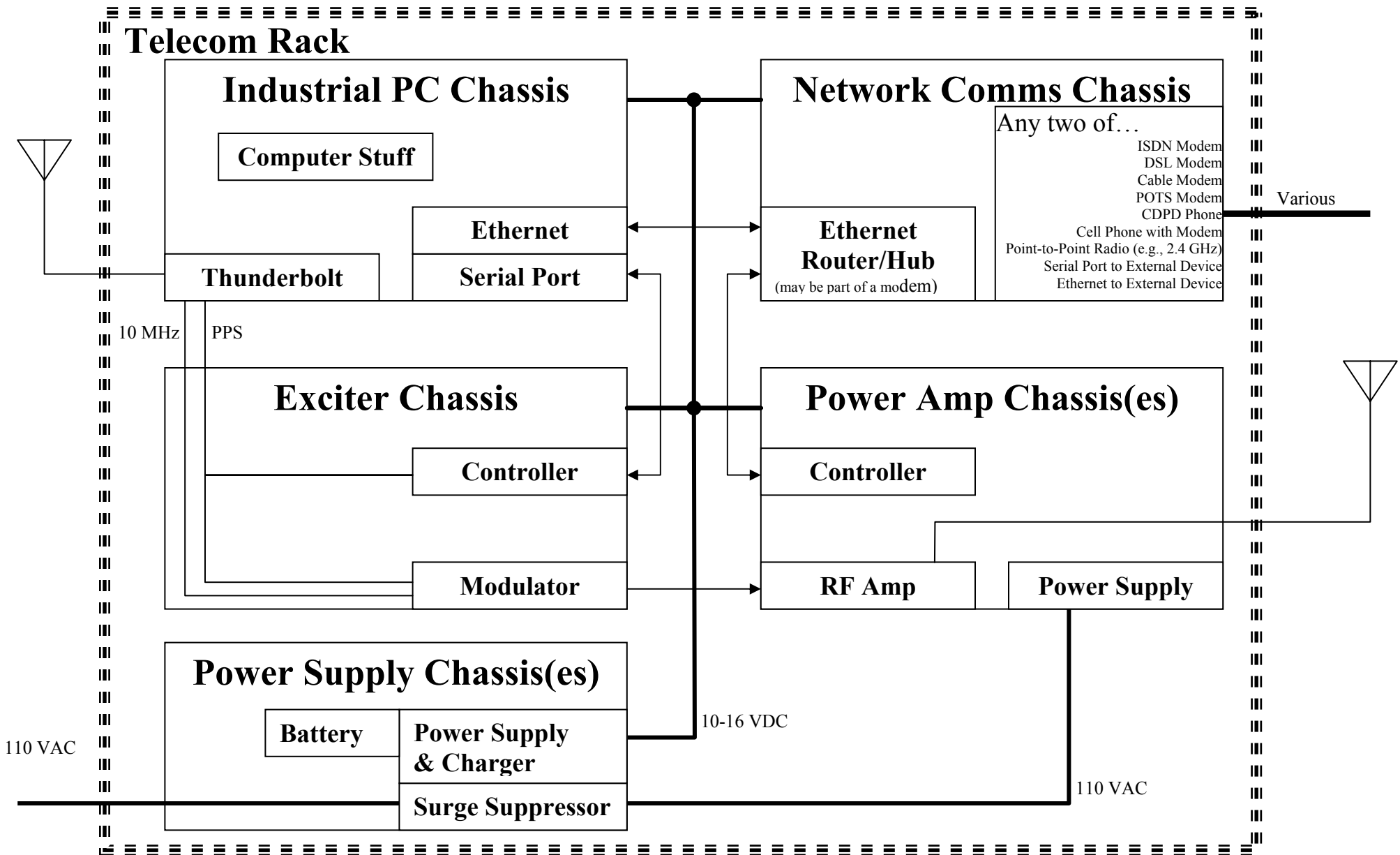


Lowband Transmitter



Notes:

A single 110 VAC surge suppressor protects the whole rack.

The RF Amp has its own 110 VAC power supply.

Everything else runs off a single 10-16 VDC, battery-backed power supply/charger.

The controller in the power amp chassis runs off the 10-16 VDC (not the 110 VAC).

This power supply architecture avoids the need for a battery-backed AC inverter.

Both antennas need lightening/EMP protection.

The various comms connections need appropriate protection.

Connections within chassis are not shown.

The power supply/charger may have status that needs to be connected to the PC.