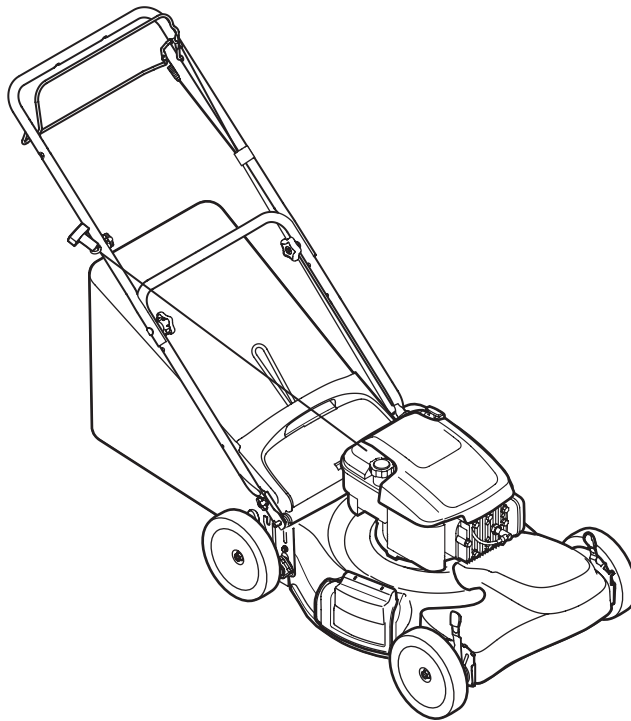




# ILLUSTRATED PARTS MANUAL



## Self-Propelled Mowers

---

TROY-BILT LLC, P.O. BOX 361131 CLEVELAND, OHIO 44136-0019

---

# To The Owner

## Thank You

Thank you for purchasing an MTD Lawn Mower. It was carefully engineered to provide excellent performance when properly operated and maintained.

All information in this manual is relative to the most recent product information available at the time of printing. Please be aware that this Illustrated Part's Manual may cover a range of product specifications for various models.

Components listed and/or illustrated in this manual may not be applicable to all models. We reserve the right to change product specifications, designs and equipment without notice and without incurring obligation.

Throughout this manual, all references to *right* (RH) and *left* (LH) are observed from the operating position.

## Table of Contents

<a href="#"><u>Model TB200 (12A-A2B).....</u></a>	<a href="#"><u>4</u></a>	<a href="#"><u>Model TB370 (12ABD35).....</u></a>	<a href="#"><u>12</u></a>
<a href="#"><u>Model TB280 ES (12AGA25/B).....</u></a>	<a href="#"><u>6</u></a>	<a href="#"><u>Model TB380ES (12ACC35).....</u></a>	<a href="#"><u>14</u></a>
<a href="#"><u>Model TB220/230 (12AVB22/5).....</u></a>	<a href="#"><u>8</u></a>	<a href="#"><u>Model TB360 (12ABD3B).....</u></a>	<a href="#"><u>16</u></a>
<a href="#"><u>Model TB330 (12AKC35).....</u></a>	<a href="#"><u>10</u></a>	<a href="#"><u>Engine Model 5X65RU.....</u></a>	<a href="#"><u>18</u></a>

## Record Product Information

To ease in ordering replacement parts, please locate the model plate on the equipment and record the information in the provided area to the right. You can locate the model plate by looking beneath the seat.

### MODEL NUMBER

--	--	--	--	--	--	--	--	--	--	--	--

### SERIAL NUMBER

--	--	--	--	--	--	--	--	--	--	--	--

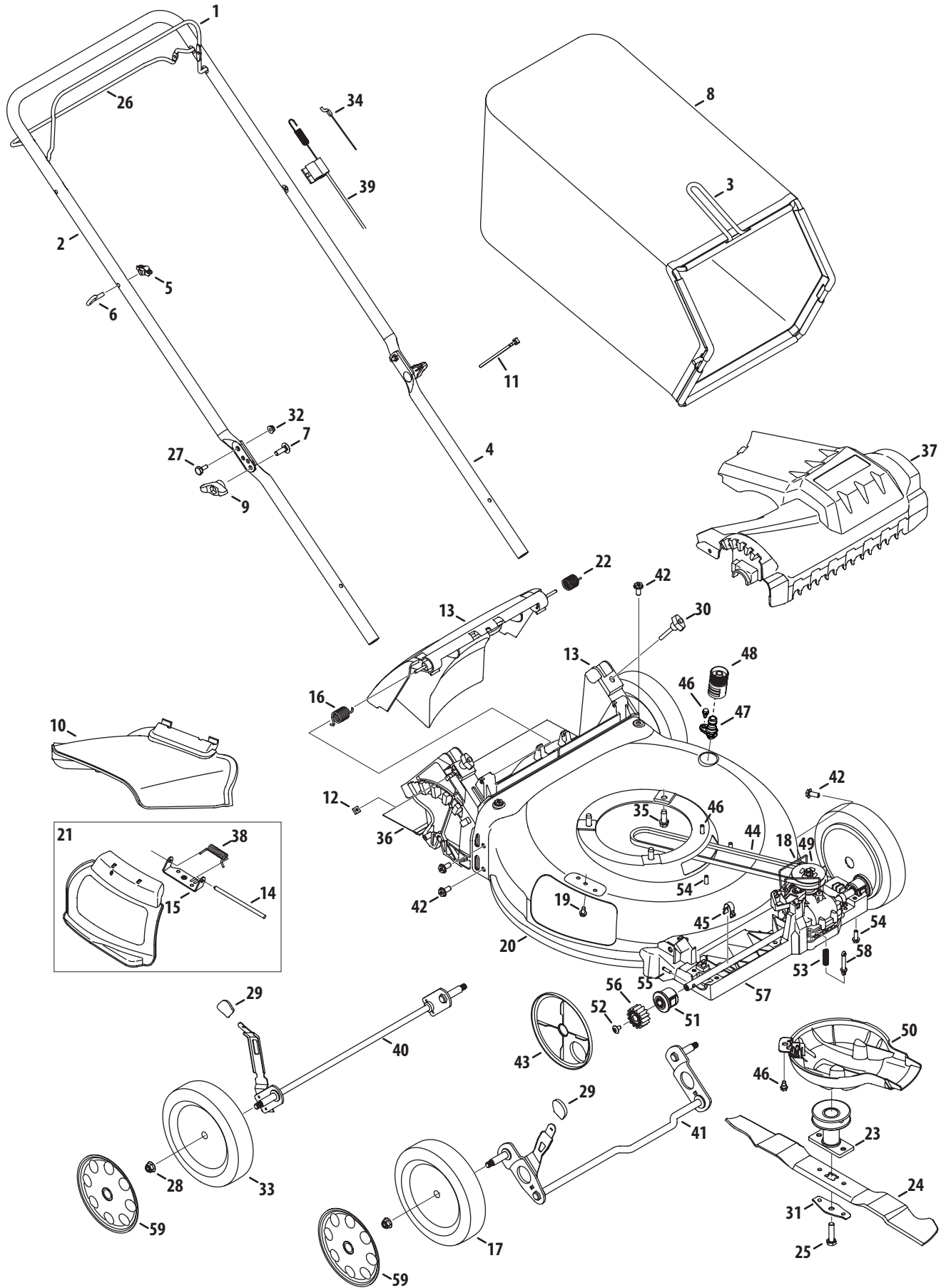
## Painted Parts

When ordering painted service parts, a four digit color suffix must be added to the part number (e.g. 783-XXXXX-0637). Please refer to the table below for current color codes:

0637	Black	0674	Yellow (Yard-Man)
0709	Dark Green (Bolens, Yard-Man)	0650	Metallic Red (White Outdoor)
0662	Oyster Gray (MTD Gold)	0629	Silver Flake (MTD Platinum)
0638	Red (Yard Machines, Huskee, Troy-Bilt, MTD)	04038	Day Orange (Daedong)
0691	Black Jack (MTD Gold, MasterCut)	04033	Flint Mica (Troy-Bilt XP)

**Page Left Blank Intentionally**

# Model TB200 (12A-A2B)

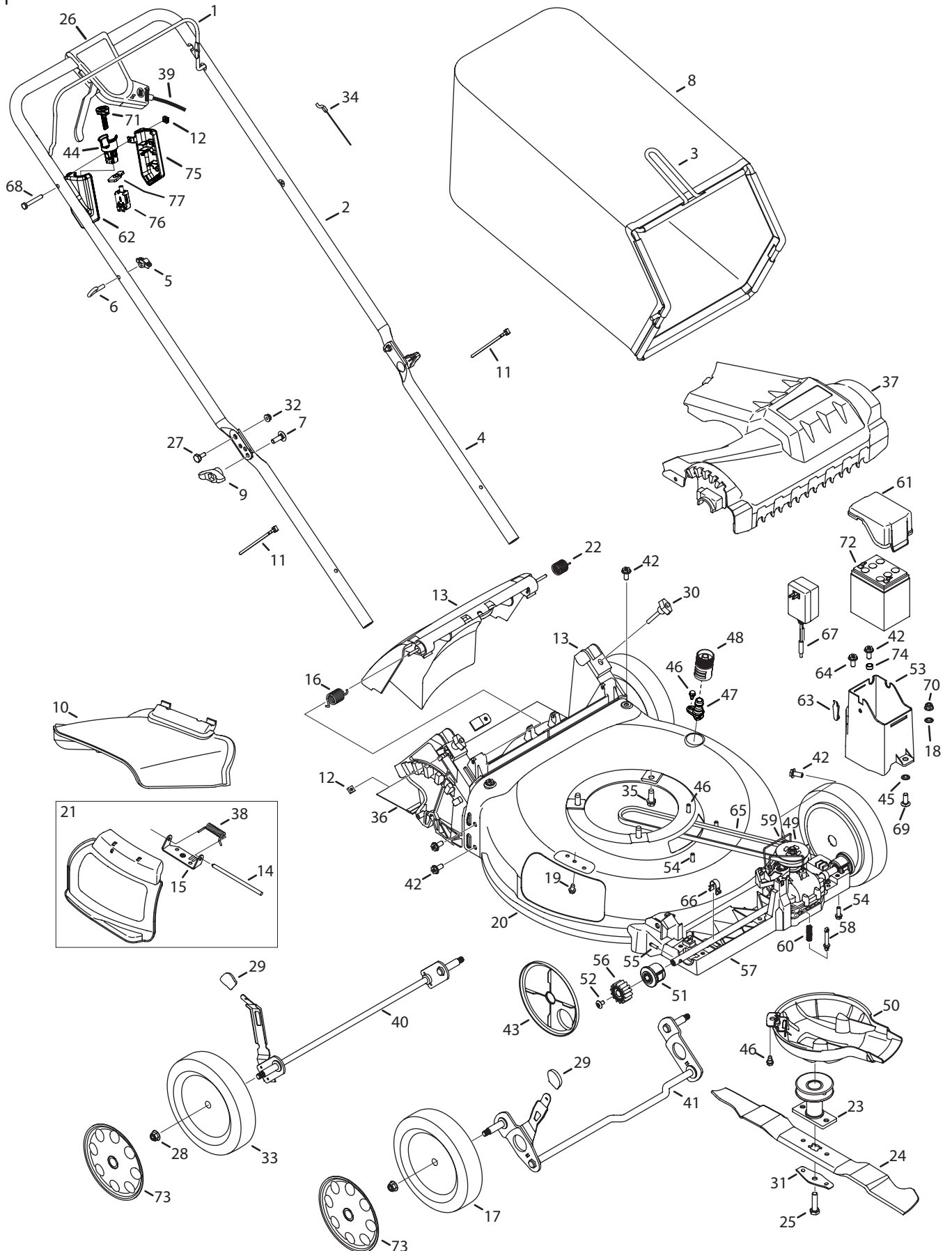


## Model TB200 (12A-A2B)

Ref No.	Part Number	Description
1	747-05214D	Blade Control
2	749-04681	Upper Handle
3	647-04271	Grass Catcher Frame
4	749-04608A	Lower Handle
5	720-0279	Wing Nut
6	710-1205	Rope Guide
7	710-04998	Carriage Screw ,5/16-18
8	964-04117B	Grass Bag
9	720-04124	Wing Knob
10	731-07131	Side Chute
11	725-0157	Cable Tie
12	712-04222	Nut, Sq., 1/4-20
13	631-04369A	Rear Discharge Door Assembly
	631-04371A	Rear Discharge Door Assembly- (Lowes)
14	747-0710A	Hinge Pin
15	787-01779	Chute Deflector Bracket
16	732-05061A	Torsion Spring - RH
17	634-05039	Front Wheel
18	732-04675A	Transmission Wire
19	710-05073	Screw, 1/4-20 x .500
20	787-01872B	Deck , 21"
21	987-02516A	Hinged Mulch Plug Assembly
22	732-05062A	Torsion Spring - LH
23	687-02539	Blade Adapter Assembly
24	942-0741A	Mulching Blade
25	710-1044	Screw , 3/8-24 x 1.50
26	747-05210B	Drive Control
27	738-04419A	Sldr. Screw, .375 x .126 x 1/4-20
28	712-04217	Flange Lock Nut, 3/8-16
29	720-04131A	Adjustment Lever Knob

Ref No.	Part Number	Description
30	720-05066	Wing Nut
31	736-0524B	Blade Bell Support
32	712-04064	Nut, Flange Lock, 1/4-20
33	634-04660	Rear Wheel
34	946-1113A	Control Cable
35	710-04683A	TT Sems Screw, 3/8-16 x 1.0
36	731-07203	Trail Shield
37	731-07790	Front Cover
38	732-1014C	Torsion Spring
39	946-04728	Drive Cable
40	911-04142A	Rear Axle Assembly
41	911-04150	Front Axle Assembly
42	710-04995A	Screw, 5/16-14 x .750
43	731-07240A	Wheel Dust Cover
44	954-04259A	V-Belt
45	787-01793	Front Axle Clip
46	738-04278	Scr., Shldr., 1/4-20 x .50
47	731-07487	Water Nozzle
48	921-04041	Water Nozzle Adapter
49	918-04881A	Transmission Assembly
50	931-04535B	Engine Baffle
51	941-00019	Bearing Assembly
52	710-04531	Screw, 1/4-20 x .390
53	732-04704	Compression Spring
54	710-0895	Screw, 1/4-15 x .750
55	715-04099	Dowel Pin
56	917-04801	Spur Gear, 14T - RH
	917-04802	Spur Gear, 14T - LH
57	731-07789	Lower Tray
58	731-07355	Spring Body
59	731-07198	Hubcap, 8"

# Model TB280 ES (12AGA25/B)

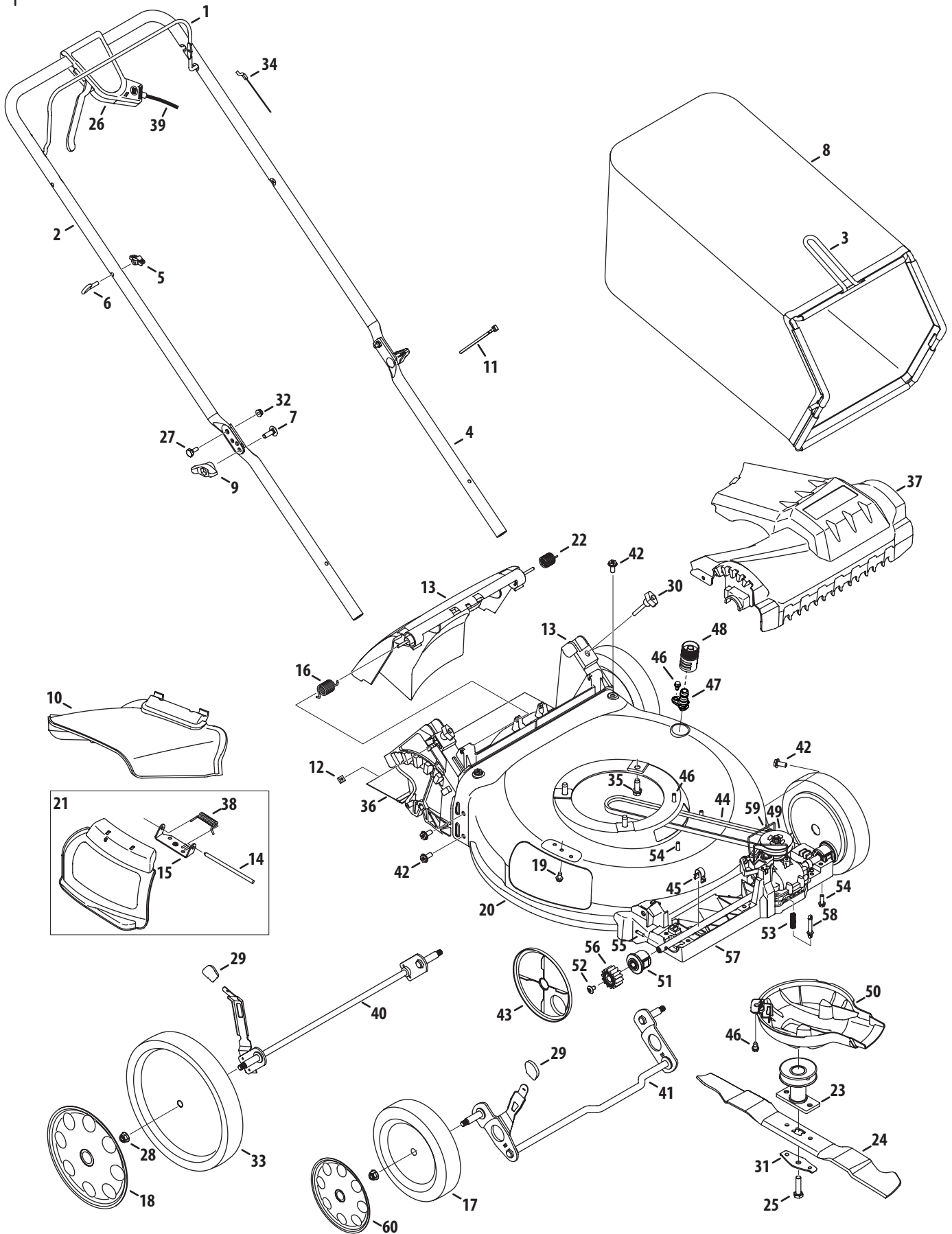


## Model TB280 ES (12AGA25/B)

Ref No.	Part Number	Description
1	747-05267C	Blade Control
2	749-04679	Upper Handle
3	647-04271	Grass Catcher Frame
4	749-04608A	Lower Handle
5	720-0279	Wing Nut
6	710-1205	Rope Guide
7	710-04998	Carriage Screw ,5/16-18
8	964-04117B	Grass Bag
9	720-04124	Wing Knob
10	731-07131	Side Chute
11	725-0157	Cable Tie
12	712-04222	Nut, Sq., 1/4-20
13	631-04369A	Rear Discharge Door Assembly
	631-04371A	Rear Discharge Door Assembly- (Lowes)
14	747-0710A	Hinge Pin
15	787-01779	Chute Deflector Bracket
16	732-05061A	Torsion Spring - RH
17	634-05039	Front Wheel
18	736-0242	Washer, Bell, .340 x .872 x .080
19	710-05073	Screw, 1/4-20 x .500
20	787-01875B	Deck , 21"
21	987-02516A	Hinged Mulch Plug Assembly
22	732-05062A	Torsion Spring - LH
23	687-02528	Blade Adapter Assembly
24	942-0741A	Mulching Blade
25	710-1044	Screw , 3/8-24 x 1.50
26	753-06060A	Control Lever Assembly
27	738-04419A	Sldr. Screw, .375 x .126 x 1/4-20
28	712-04217	Flange Lock Nut, 3/8-16
29	720-04131A	Adjustment Lever Knob
30	720-05066	Wing Nut
31	736-0524B	Blade Bell Support
32	712-04064	Nut, Flange Lock, 1/4-20
33	634-04660	Rear Wheel
34	946-04661A	Control Cable
35	710-04683A	TT Sems Screw, 3/8-16 x 1.0
36	731-07203	Trail Shield
37	731-07790	Front Cover
38	732-1014C	Torsion Spring
39	946-04655A	Drive Cable

Ref No.	Part Number	Description
40	911-04142A	Rear Axle Assembly
41	911-04150	Front Axle Assembly
42	710-04995A	Screw, 5/16-14 x .750
43	731-07240A	Wheel Dust Cover
44	931-05131	Key Switch
45	726-0201	Speed Nut
46	738-04278	Scr., Shldr., 1/4-20 x .50
47	731-07487	Water Nozzle
48	921-04041	Water Nozzle Adapter
49	918-04881A	Transmission Assembly
50	931-04535B	Engine Baffle
51	941-00019	Bearing Assembly
52	710-04531	Screw, 1/4-20 x .390
53	731-07135	Battery Housing
54	710-0895	Screw, 1/4-15 x .750
55	715-04099	Dowel Pin
56	917-04801	Spur Gear, 14T - RH
	917-04802	Spur Gear, 14T - LH
57	731-07789	Lower Tray
58	731-07355	Spring Body
59	732-04675A	Transmission Wire
60	732-04704	Compression Spring
61	731-07154A	Battery Housing Top
62	731-09753	Electric Start Housing, RH
63	735-04213A	Lid Seal
64	738-04431A	Scr., Sldr., 5/16-14 x .972
65	954-04260	V-Belt
66	787-01793	Front Axle Clip
67	725-06121	Battery Charger
68	710-0136	Screw, 1/4-20 x 1.75
69	710-0276	Bolt, Carr., 5/16-18 x 1.00
70	912-0429	Nut, Flg k., 5/16-18
71	731-09728	Key
72	725-04903	Battery
73	731-07198	Hubcap, 8"
74	750-05377	Spacer, .340 x .460 x .246
75	731-09755	Electric Start Housing, LH
76	725-06114	Plunger Switch
77	787-03162	Retainer Bracket
—	925-06140	Wire Harness (Not Shown)
—	725-05106	Fuse (Not Shown)

# Model TB220/230 (12AVB22/5)



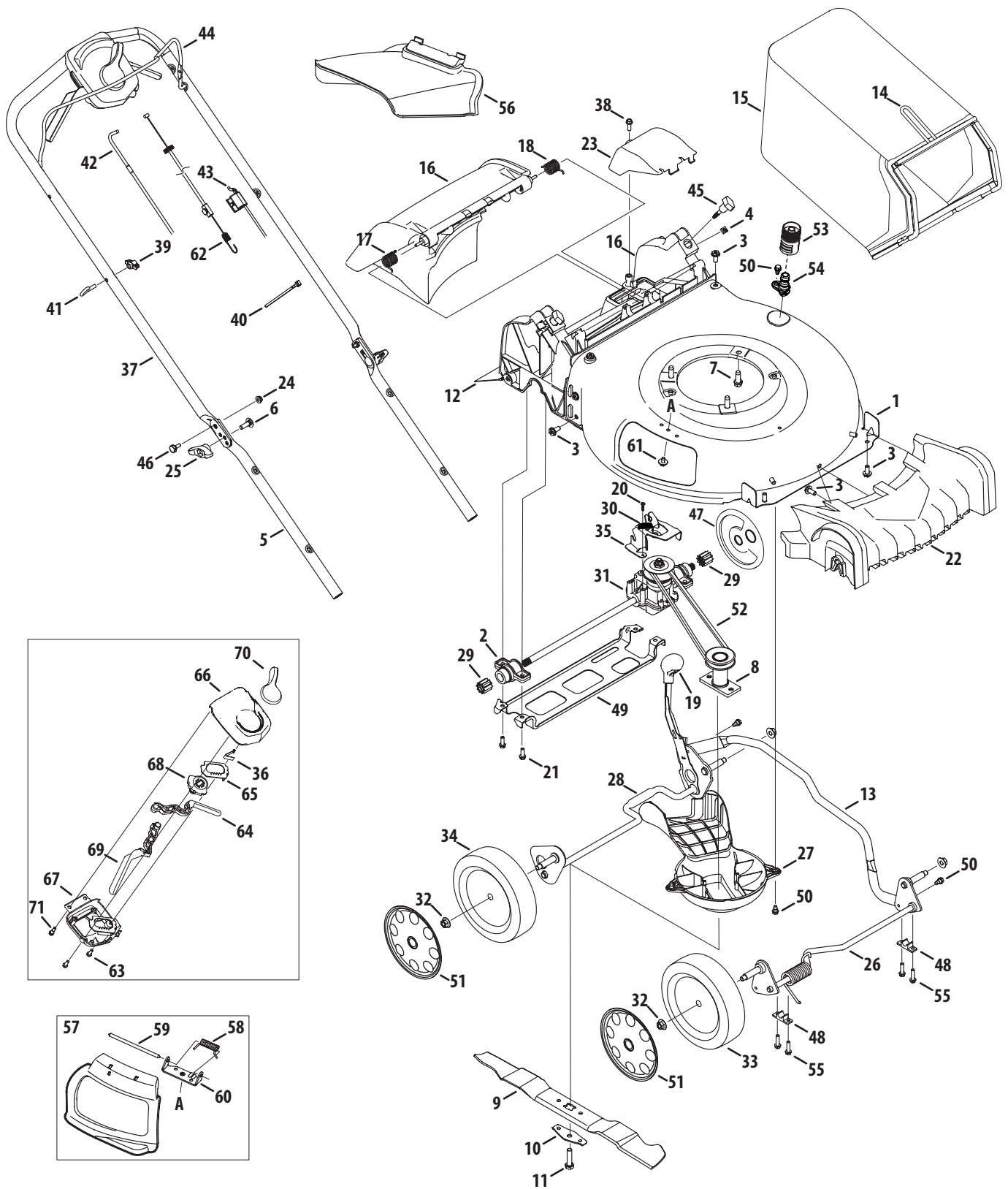


## Model TB230/260 (12AVB22/5)

Ref No.	Part Number	Description
1	747-05267C	Blade Control
2	749-04679	Upper Handle
3	647-04271	Grass Catcher Frame
4	749-04608A	Lower Handle
5	720-0279	Wing Nut
6	710-1205	Rope Guide
7	710-04998	Carriage Screw ,5/16-18
8	964-04117B	Grass Bag
9	720-04124	Wing Knob
10	731-07131	Side Chute
11	725-0157	Cable Tie
12	712-04222	Nut, Sq., 1/4-20
13	631-04369A	Rear Discharge Door Assembly
	631-04371A	Rear Discharge Door Assembly- (Lowes)
14	747-0710A	Hinge Pin
15	787-01779	Chute Deflector Bracket
16	732-05061A	Torsion Spring - RH
17	634-05039	Front Wheel
18	731-07199	Hubcap
19	710-05073	Screw, 1/4-20 x .500
20	787-01872B	Deck , 21"
21	987-02516A	Hinged Mulch Plug Assembly
22	732-05062A	Torsion Spring - LH
23	687-02528	Blade Adapter Assembly
24	942-0741A	Mulching Blade
25	710-1044	Screw , 3/8-24 x 1.50
26	753-06060A	Control Lever Assembly
27	738-04419A	Sldr. Screw, .375 x .126 x 1/4-20
28	712-04217	Flange Lock Nut, 3/8-16
29	720-04131A	Adjustment Lever Knob
30	720-05066	Wing Nut, Black
	720-05067	Wing Nut, Red

Ref No.	Part Number	Description
31	736-0524B	Blade Bell Support
32	712-04064	Nut, Flange Lock, 1/4-20
33	634-05063	Rear Wheel
34	946-04661A	Control Cable
	946-04703A	Control Cable (5X65RU)
35	710-04683A	TT Sems Screw, 3/8-16 x 1.0
36	731-07203	Trail Shield
37	731-07790	Front Cover
38	732-1014C	Torsion Spring
39	946-04655A	Variable Speed Cable
40	911-04144B	Rear Axle Assembly
41	911-04150	Front Axle Assembly
42	710-04995A	Screw, 5/16-14 x .750
43	731-07240A	Wheel Dust Cover
44	954-04260	V-Belt
45	787-01793	Front Axle Clip
46	738-04278	Scr., Shldr., 1/4-20 x .50
47	731-07487	Water Nozzle
48	921-04041	Water Nozzle Adapter
49	918-04881A	Transmission Assembly
50	931-04535B	Engine Baffle
51	941-00019	Bearing Assembly
52	710-04531	Screw, 1/4-20 x .390
53	732-04704	Compression Spring
54	710-0895	Screw, 1/4-15 x .750
55	715-04099	Dowel Pin
56	917-04801	Spur Gear, 14T - RH
	917-04802	Spur Gear, 14T - LH
57	731-07789	Lower Tray
58	731-07355	Spring Body
59	732-04675A	Transmission Wire
60	731-07198	Hubcap, 8"

# Model TB330 (12AKC35)

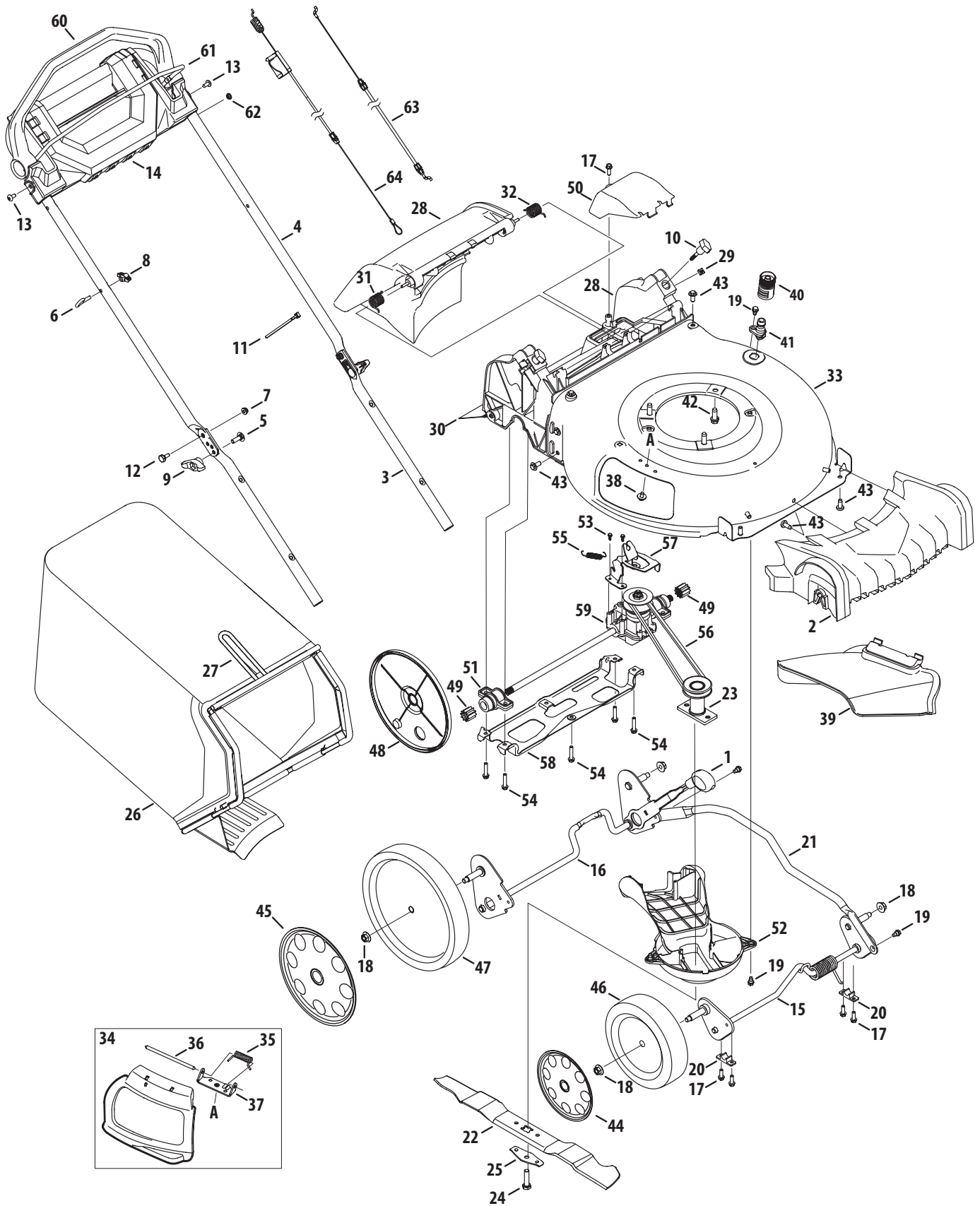


## Model TB330 (12AKC35)

Ref No.	Part Number	Description
1	787-02002A	Deck , 21"
2	631-04501A	Bearing Assembly
3	710-04995A	Screw, 5/16-14 x .750
4	712-04222	Nut, Sq., 1/4-20
5	749-04608A	Lower Handle
6	710-04998	Carriage Screw ,5/16-18
7	710-04683A	Screw, 3/8-16 x 1.00
8	687-02220	Blade Adapter
9	942-0741A	Mulching Blade
10	736-0524B	Blade Bell Support
11	710-1044	Screw, 3/8-24 x 1.50
12	731-07203	Trailing Shield
13	949-04841B	Cross Bracket
14	747-05362A	Grass Catcher Frame
15	964-04150B	Grass Bag
16	631-04553A	Rear Discharge Door Assembly
17	732-05061A	Torsion Spring - RH
18	732-05062A	Torsion Spring - LH
19	720-04113	Adjustment Lever Knob
20	710-04374	Screw, Hex Washer, .159 x .43
21	710-04774	Screw, 1/4-15 x 1.25
22	731-09601	Front Cover
23	731-07799	Transmission Cover
24	712-04064	Nut, Flange Lock, 1/4-20
25	720-04124	Wing Knob
26	911-04190A	Front Axle Assembly
27	631-04512C	Engine Baffle
28	911-04189	Rear Axle Assembly
29	917-04852	Spur Gear, 10T
30	732-04826A	Exten. Spring, 2.405
31	918-06000	Transmission Assembly
32	712-04217	Flange Lock Nut, 3/8-16
33	634-04660	Front Wheel
34	934-05042	Rear Wheel
35	787-01868A	Transmission Bracket
36	732-04937	Spring

Ref No.	Part Number	Description
37	749-04701A	Upper Handle
38	710-0895	Screw, 1/4-15 x .750
39	720-0279	Knob
40	725-0157	Cable Tie
41	710-1205	Rope Guide
42	946-04729	Speed Adjustment Cable
43	946-04661A	Control Cable
44	747-05463A	Blade Control
45	720-05066	Wing Nut
46	738-04419A	Sldr. Screw, .375 x .126 x 1/4-20
47	731-07795	Wheel Dust Cover
48	741-0492A	Bushing, Lock, .505 Dia. X .62
49	787-01915A	Rear Support Bracket
50	738-04278	Scr., Shldr., 1/4-20 x .50
51	731-07198	Hubcap, 8"
52	954-04282	V-Belt
53	921-04041	Water Nozzle Adapter
54	731-07487	Water Nozzle
55	710-1241	Screw, 1/4-15 x 1.000
56	731-07131	Side Discharge Chute
57	987-02516A	Mulch Plug (Incl. 58-60)
58	732-1014C	Torsion Spring
59	747-0710A	Hinge Pin
60	787-01779	Chute Deflector Bracket
61	710-05073	Screw, 1/4-20 x .500
62	946-04816	Drive Cable
63	710-0895	Screw, 1/4-15 x .750
64	731-07766	Control Lever LH
65	787-01851	Cable Adjust Plate
66	731-08750	Upper Housing
67	731-07764A	Lower Housing
68	731-07804	Speed Adjust Actuator
69	731-08759	Control Lever RH
70	731-07767A	Speed Select Lever
71	710-05204	Scr., Shldr, 1/4-15 x .970

# Model TB370 (12ABD35)

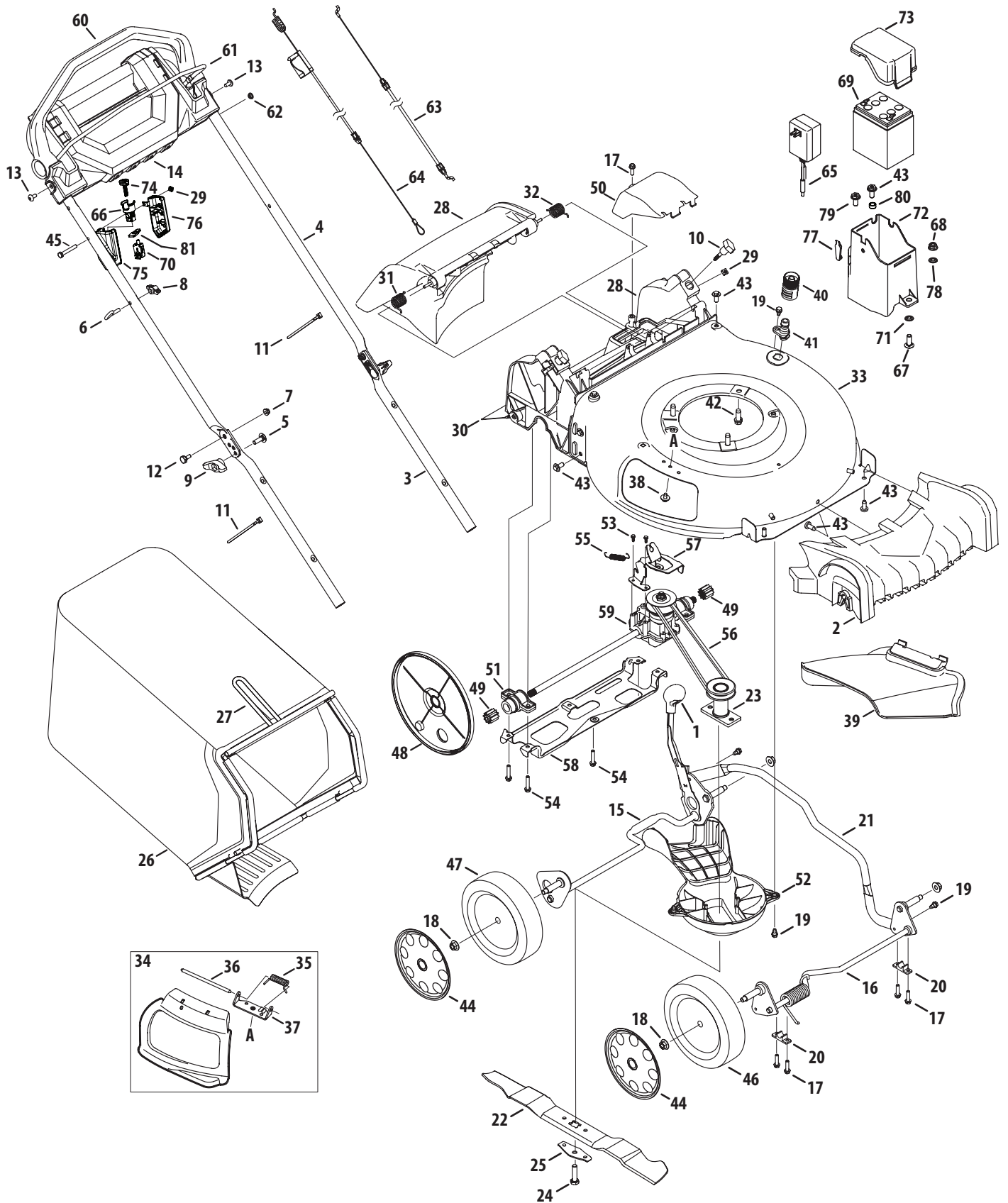


## Model TB370 (12ABD35)

Ref No.	Part Number	Description
1	720-04113	Adjustment Lever Knob
2	731-09601	Front Cover
3	749-04608A	Lower Handle
4	749-05084	Upper Handle
5	710-04998	Carriage Screw ,5/16-18
6	710-1205	Rope Guide
7	712-04064	Nut, Flange Lock, 1/4-20
8	720-0279	Knob
9	720-04124	Wing Knob
10	720-05066	Wing Nut
11	725-0157	Cable Tie
12	738-04419A	Sldr. Screw, .375 x .126 x 1/4-20
13	710-1017	Screw, 1/4-14 x .625
14	931-09823	Handle Console
15	911-04191A	Front Axle Assembly
16	911-04192	Rear Axle Assembly
17	710-0895	Screw, 1/4-15 x .750
18	712-04217	Flange Lock Nut, 3/8-16
19	738-04278	Scr., Shldr., 1/4-20 x .50
20	741-0492A	Bushing, Lock, .505 Dia. X .62
21	949-04840B	Cross Bracket
22	942-0741A	Mulching Blade
23	687-02220	Blade Adapter
24	710-1044	Screw, 3/8-24 x 1.50
25	736-0524B	Blade Bell Support
26	964-04150B	Grass Bag
27	747-05362A	Grass Catcher Frame
28	631-04553A	Rear Discharge Door Assembly
29	712-04222	Nut, Sq., 1/4-20
30	731-07203	Trailing Shield
31	732-05061A	Torsion Spring - RH
32	732-05062A	Torsion Spring - LH

Ref No.	Part Number	Description
33	787-02002A	Deck, 21"
34	987-02516A	Mulch Plug (Incl. 35-37)
35	732-1014C	Torsion Spring
36	747-0710A	Hinge Pin
37	787-01779	Chute Deflector Bracket
38	710-05073	Screw, 1/4-20 x .500
39	731-07131	Side Discharge Chute
40	921-04041	Water Nozzle Adapter
41	731-07487	Water Nozzle
42	710-04683A	Screw, 3/8-16 x 1.00
43	710-04995A	Screw, 5/16-14 x .750
44	731-07198	Hubcap, 8"
45	731-07199	Hubcap, 11"
46	634-04660	Front Wheel
47	934-04666	Rear Wheel
48	731-07731C	Wheel Dust Cover
49	917-04849	Spur Gear, 9T
50	731-08175	Transmission Cover
51	631-04501A	Bearing Assembly
52	631-04512C	Engine Baffle
53	710-04374	Screw, Hex Washer, .159 x .43
54	710-04774	Screw, 1/4-15 x 1.25
55	732-05150	Exten. Spring, 2.405
56	954-04282	V-Belt
57	787-01868A	Transmission Bracket
58	787-01915A	Rear Support Bracket
59	918-07000	Transmission Assembly
60	731-09730	Drive Handle
61	747-06243	Blade Control
62	748-05047	Shoulder Spacer, .18 x .315 x .09
63	946-05105	Control Cable
64	946-05121	Drive Cable

# Model TB380ES (12ACC35)

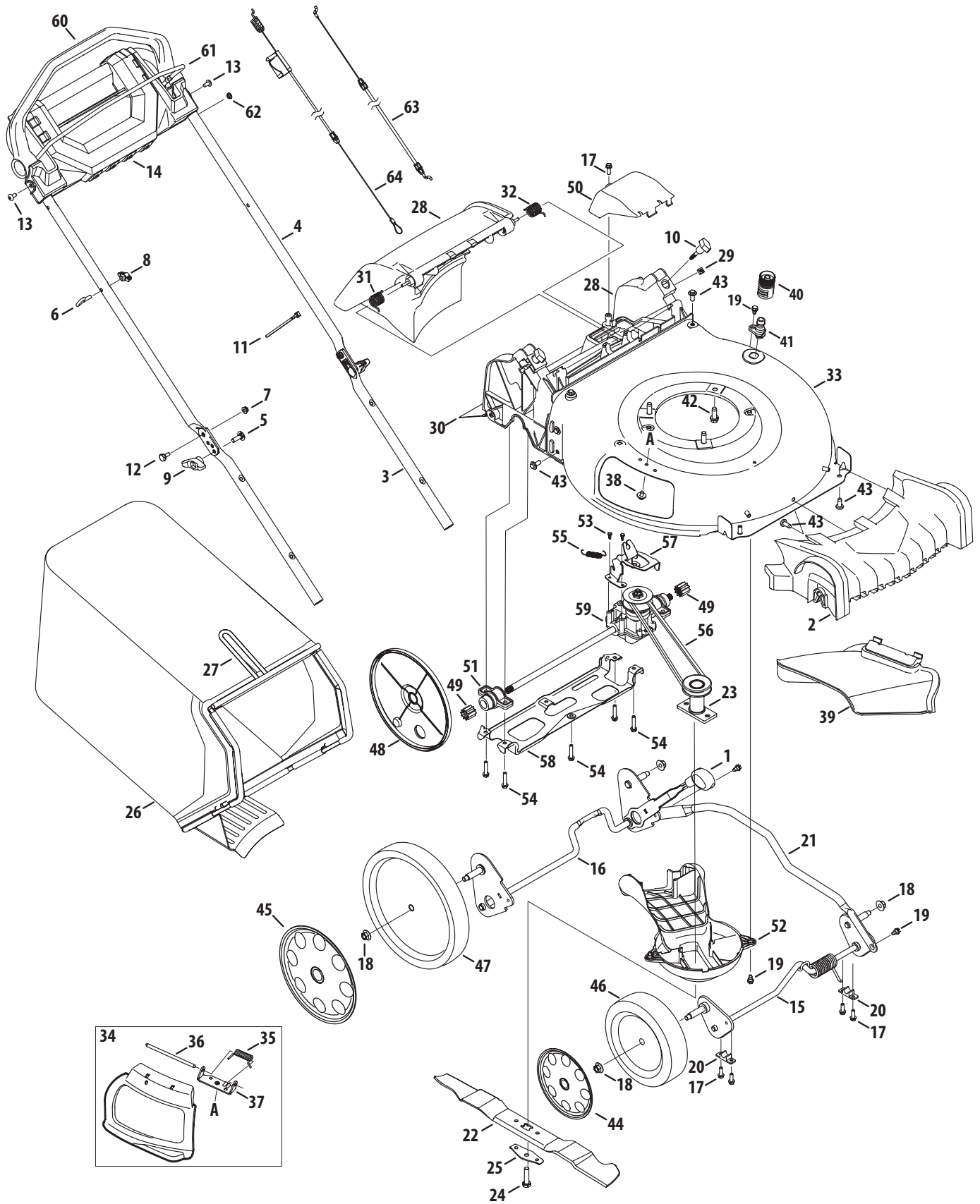


## Model TB380ES (12ACC35)

Ref No.	Part Number	Description
1	720-04113	Adjustment Lever Knob
2	731-10334	Front Cover
3	749-04608A	Lower Handle
4	749-05084	Upper Handle
5	710-04998	Carriage Screw ,5/16-18
6	710-1205	Rope Guide
7	712-04064	Nut, Flange Lock, 1/4-20
8	720-0279	Knob
9	720-04124	Wing Knob
10	720-05066	Wing Nut
11	725-0157	Cable Tie
12	738-04419A	Sldr. Screw, .375 x .126 x 1/4-20
13	710-1017	Screw, 1/4-14 x .625
14	931-09823	Handle Console
15	911-04189	Rear Axle Assembly
16	911-04190A	Front Axle Assembly
17	710-0895	Screw, 1/4-15 x .750
18	712-04217	Flange Lock Nut, 3/8-16
19	738-04278	Scr., Shldr., 1/4-20 x .50
20	741-0492A	Bushing, Lock, .505 Dia. X .62
21	949-04841B	Cross Bracket
22	942-0741A	Mulching Blade
23	687-02220	Blade Adapter
24	710-1044	Screw, 3/8-24 x 1.50
25	736-0524B	Blade Bell Support
26	964-04150B	Grass Bag
27	747-05362A	Grass Catcher Frame
28	631-04553A	Rear Discharge Door Assembly
29	712-04222	Nut, Sq., 1/4-20
30	731-07203	Trailing Shield
31	732-05061A	Torsion Spring - RH
32	732-05062A	Torsion Spring - LH
33	787-02003A	Deck, 21"
34	987-02516A	Mulch Plug (Incl. 35-37)
35	732-1014C	Torsion Spring
36	747-0710A	Hinge Pin
37	787-01779	Chute Deflector Bracket
38	710-05073	Screw, 1/4-20 x .500
39	731-07131	Side Discharge Chute
40	921-04041	Water Nozzle Adapter
41	731-07487	Water Nozzle
42	710-04683A	Screw, 3/8-16 x 1.00

Ref No.	Part Number	Description
43	710-04995A	Screw, 5/16-14 x .750
44	731-07198	Hubcap, 8"
45	710-0136	Screw, 1/4-20 x 1.75
46	634-04660	Front Wheel
47	934-05042	Rear Wheel
48	731-07795	Wheel Dust Cover
49	917-04852	Spur Gear, 10T
50	731-08175	Transmission Cover
51	631-04501A	Bearing Assembly
52	631-04512C	Engine Baffle
53	710-04374	Screw, Hex Washer, .159 x .43
54	710-04774	Screw, 1/4-15 x 1.25
55	732-05150	Exten. Spring, 2.405
56	954-04282	V-Belt
57	787-01868A	Transmission Bracket
58	787-01915A	Rear Support Bracket
59	918-07000	Transmission Assembly
60	731-09730	Drive Handle
61	747-06243	Blade Control
62	748-05047	Shoulder Spacer, .18 x .315 x .09
63	946-05105	Control Cable
64	946-05121	Drive Cable
65	725-06121	Battery Charger
66	931-05131	Key Switch
67	710-0276	Bolt, Carr., 5/16-18 x 1.00
68	912-0429	Nut, Flgk., 5/16-18
69	725-04903	Battery
70	725-06114	Plunger Switch
71	726-0201	Speed Nut
72	731-07135	Battery Housing
73	731-07154A	Battery Housing Top
74	731-09728	Key
75	731-09753	Electric Start Housing, RH
76	731-09755	Electric Start Housing, LH
77	735-04213A	Lid Seal
78	736-0242	Washer, Bell, .340 x .872 x .080
79	738-04431A	Scr., Sldr., 5/16-14 x .972
80	750-05377	Spacer, .340 x .460 x .246
81	787-03162	Retainer Bracket
—	925-06140	Wire Harness (Not Shown)
—	725-05106	Fuse (Not Shown)

# Model TB360 (12ABD3B)



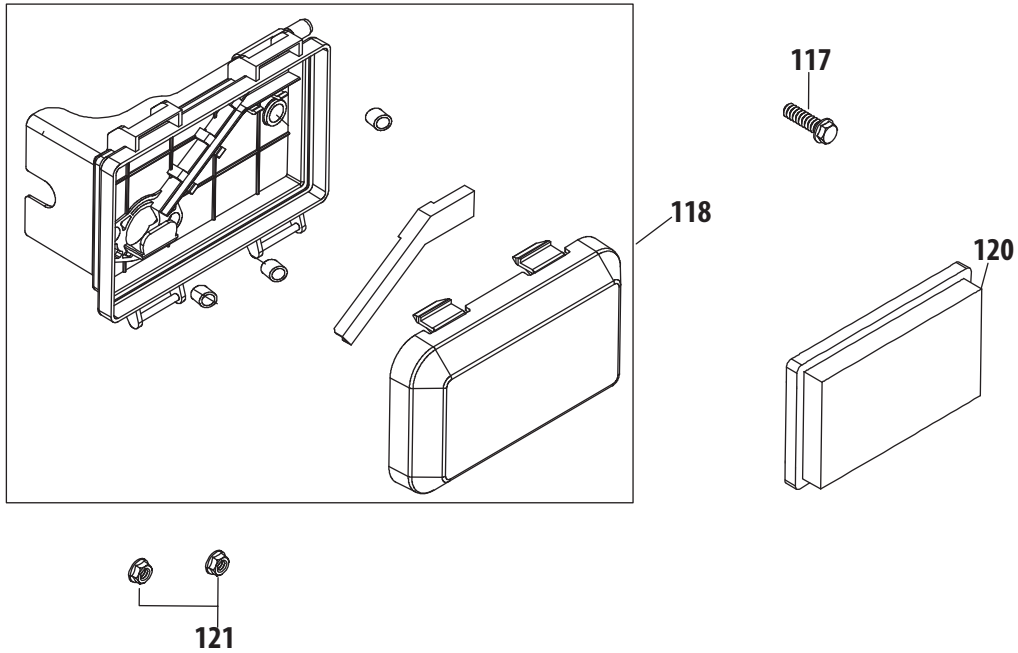


## Model TB360 (12ABD3B)

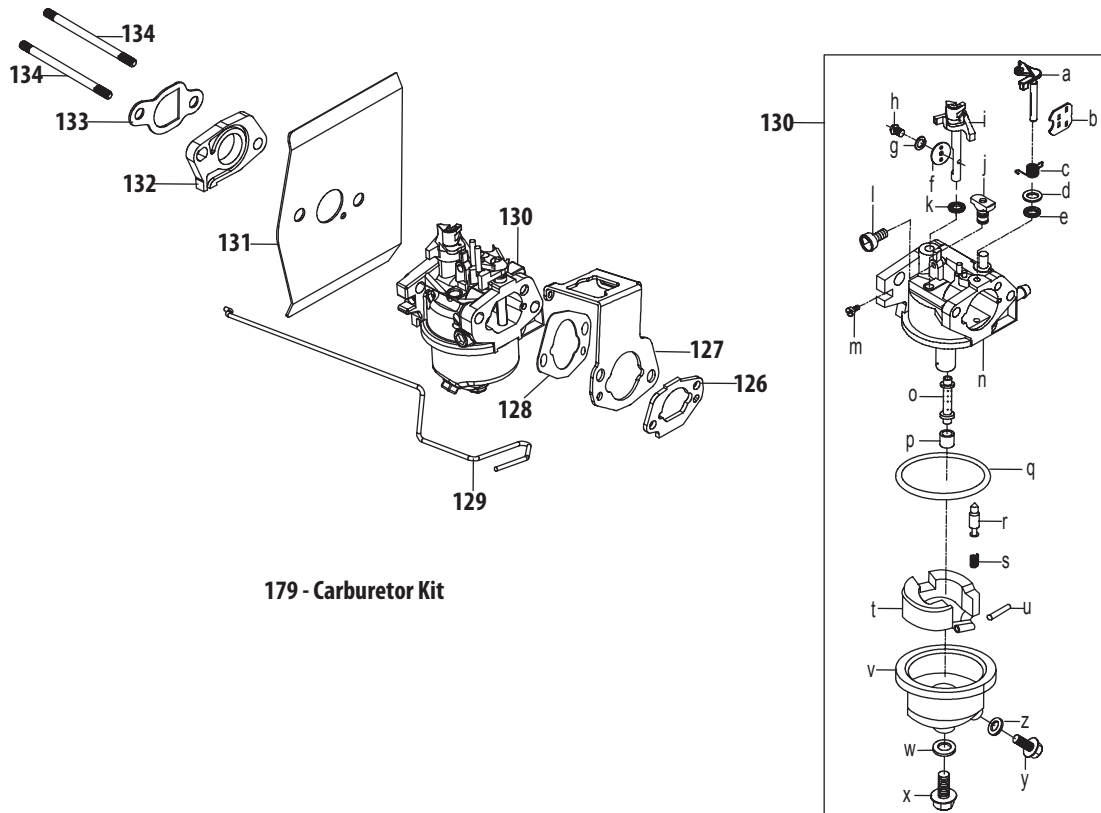
Ref No.	Part Number	Description
1	720-04113	Adjustment Lever Knob
2	731-10334	Front Cover
3	749-04608A	Lower Handle
4	749-05084	Upper Handle
5	710-04998	Carriage Screw ,5/16-18
6	710-1205	Rope Guide
7	712-04064	Nut, Flange Lock, 1/4-20
8	720-0279	Knob
9	720-04124	Wing Knob
10	720-05066	Wing Nut
11	725-0157	Cable Tie
12	738-04419A	Sldr. Screw, .375 x .126 x 1/4-20
13	710-1017	Screw, 1/4-14 x .625
14	931-09823	Handle Console
15	911-04191A	Front Axle Assembly
16	911-04192	Rear Axle Assembly
17	710-0895	Screw, 1/4-15 x .750
18	712-04217	Flange Lock Nut, 3/8-16
19	738-04278	Scr., Shldr., 1/4-20 x .50
20	741-0492A	Bushing, Lock, .505 Dia. X .62
21	949-04840B	Cross Bracket
22	942-0741A	Mulching Blade
23	687-02220	Blade Adapter
24	710-1044	Screw, 3/8-24 x 1.50
25	736-0524B	Blade Bell Support
26	964-04150B	Grass Bag
27	747-05362A	Grass Catcher Frame
28	631-04514A	Rear Discharge Door Assembly
29	712-04222	Nut, Sq., 1/4-20
30	731-07203	Trailing Shield
31	732-05061A	Torsion Spring - RH
32	732-05062A	Torsion Spring - LH

Ref No.	Part Number	Description
33	787-02002A	Deck , 21"
34	987-02516A	Mulch Plug (Incl. 35-37)
35	732-1014C	Torsion Spring
36	747-0710A	Hinge Pin
37	787-01779	Chute Deflector Bracket
38	710-05073	Screw, 1/4-20 x .500
39	731-07131	Side Discharge Chute
40	921-04041	Water Nozzle Adapter
41	731-07487	Water Nozzle
42	710-04683A	Screw, 3/8-16 x 1.00
43	710-04995A	Screw, 5/16-14 x .750
44	731-07198	Hubcap, 8"
45	731-07199	Hubcap, 11"
46	634-04660	Front Wheel
47	934-04666	Rear Wheel
48	731-07731C	Wheel Dust Cover
49	917-04849	Spur Gear, 9T
50	731-08175	Transmission Cover
51	631-04501A	Bearing Assembly
52	631-04512C	Engine Baffle
53	710-04374	Screw, Hex Washer, .159 x .43
54	710-04774	Screw, 1/4-15 x 1.25
55	732-05150	Exten. Spring, 2.405
56	954-04282	V-Belt
57	787-01868A	Transmission Bracket
58	787-01915A	Rear Support Bracket
59	918-07000	Transmission Assembly
60	731-09730	Drive Handle
61	747-06243	Blade Control
62	748-05047	Shoulder Spacer, .18 x .315 x .09
63	946-05105	Control Cable
64	946-05121	Drive Cable

# Engine Model 5X65RU Air Cleaner



Ref.	Part Number	Description
117	710-04969	Bolt M6X30 Af Base/Coil/E-Starter
118	951-14439	Air Cleaner Housing Assembly
120	951-10298	Air Cleaner Kit
121	712-05015	Nut M6X10Mm Starter/Carb/Muff



**179 - Carburetor Kit**

Ref.	Part Number	Description
126	951-14419	Air Filter Base Gasket
127	951-14420	Choke Temp Control Bracket
128	951-14422	Choke Temp Control Bracket Gasket
129	951-14421	Choke Temp Control Linkage
130	951-14423	Carburetor Assembly
131	951-14424	Carburetor Gasket
132	951-11738	Carburetor Insulator
133	951-11528	Carburetor Insulator Gasket
134	951-14425	Carb Stud M6x87
179	951-14446	Carburetor Kit (Incl.e,j,k,l,o,p,q,r,s,t,u,w,z)
a	n/a	Choke Shaft
b	n/a	Choke Plate
c	n/a	Choke Return Spring
d	n/a	Choke Shaft Washer
e	n/a	Choke Shaft Fiber O-Ring
f	n/a	Throttle Plate
g	n/a	Throttle Plate Lock Washer
h	n/a	Screw M3X6 Throttle Plate

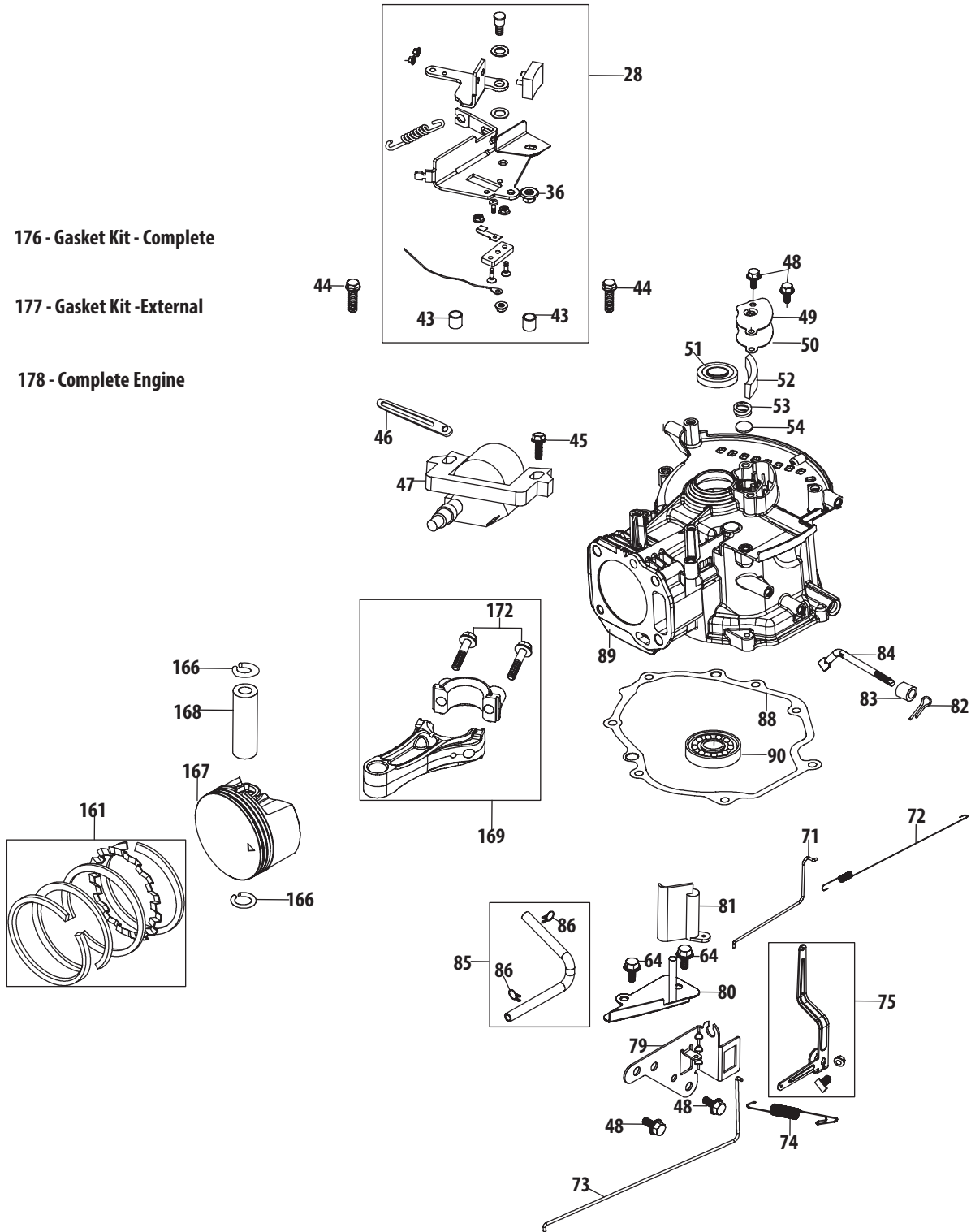
Ref.	Part Number	Description
i	n/a	Throttle Shaft
j	n/a	Idle Jet Assembly
k	n/a	Throttle Shaft Fiber O-Ring
l	n/a	Idle Speed Adjusting Screw
m	n/a	Idle Mixture Screw
n	n/a	Carburetor Body
o	n/a	Emulsion Tube
p	n/a	Main Jet
q	n/a	Fuel Bowl O-Ring
r	n/a	Needle Valve
s	n/a	Needle Valve Spring
t	n/a	Float
u	n/a	Float Pin
v	n/a	Fuel Bowl
w	n/a	Fuel Bowl Gasket
x	n/a	Fuel Bowl Mounting Bolt
y	n/a	Fuel Drain Plug
aa	n/a	Fuel Drain Plug Gasket

# 5X65RU Crankcase

176 - Gasket Kit - Complete

177 - Gasket Kit - External

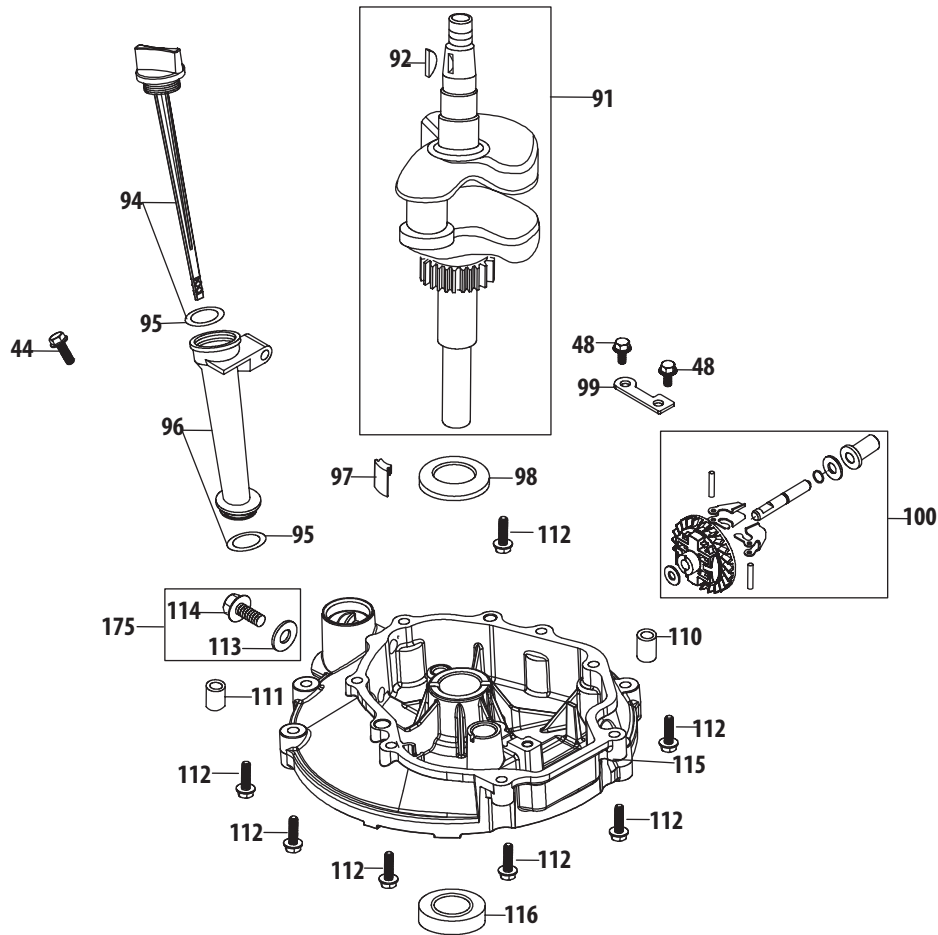
178 - Complete Engine



## 5X65RU Crankcase

Ref.	Part Number	Description	Ref.	Part Number	Description
28	951-14402	Brake Assembly	82	714-04074	Governor Arm Shaft Cotter Pin
36	712-04219	Brake Arm Nut	83	951-11574	Governor Seal
38	712-04209	Ground Switch Nuts M4	84	951-14416	Governor Arm Shaft
43	750-05384	Brake Spacer	85	951-11520	Breather Hose Assembly
44	710-04980	Bolt M6X35 Af Base/Brake/Dipstick	86	726-04101	Breather Hose Clamp
45	710-04918	Bolt M6x20 Ignition Coil	88	951-14415	Crankcase Cover Gasket
46	951-11622	Flexible Clamp, Ignition Coil	89	951-14447	Short Block
47	951-14403	Ignition Coil Assembly			(Incl.48-54,82-84,88-92,95,97-100, 110-116,126,132,133,149,152,156, 157,159-161,166-169,172)
48	710-04916	Bolt M6X14 Multi-Purpose	90	951-11369	Main Bearing
49	951-14404	Breather Cover Plate	161	951-14433	Piston Ring Set
50	951-14405	Breather Gasket	166	951-11603	Piston Pin Snap Ring
51	951-11596	Upper Crankshaft Seal	167	951-14434	Piston
52	951-11730	Breather Screen	168	951-14435	Piston Pin
53	732-04718	Breather Valve Spring	169	951-14436	Connecting Rod Assembly
54	951-11614	Breather Valve	172	710-05115	Connecting Rod Bolt
64	710-04915	Bolt M6X12 Multi-Purpose	176	951-14443	Gasket Kit - Complete
71	951-14408	Choke Linkage			(Incl.50,51,83,88,95,113,116,126, 128,131-133,149,152,156)
72	951-14409	Throttle Linkage Spring	177	951-14444	Gasket Kit -External
73	951-14410	Throttle Linkage			(Incl.50,95,113,126,128, 131-133,149,152)
74	951-14411	Governor Spring	178	952Z5X65RU	Complete Engine
75	951-14412	Governor Arm Assembly			
79	951-14413	Component Bracket			
80	951-14414	Air Vane Bracket			
81	951-11529	Air Vane			

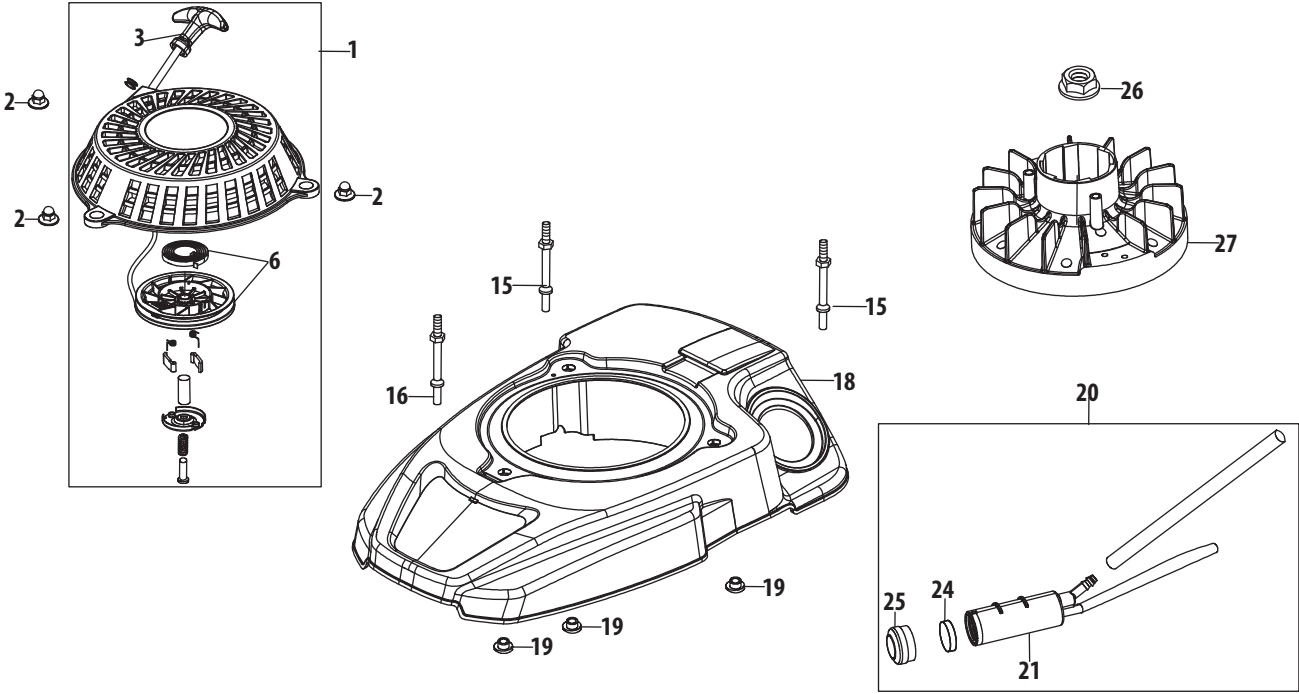
# 5X65RU Crankshaft & Crankcase Cover



Ref.	Part Number	Description
44	710-04980	Bolt M6X35 Af Base/Brake/Dipstick
48	710-04916	Bolt M6X14 Multi-Purpose
91	951-14417	Crankshaft Assembly
92	951-10307	Flywheel Key
94	951-14440	Oil Dipstick Assembly
95	951-11546	Dipstick / Oil Fill Tube O-Ring
96	951-14441	Oil Fill Tube Assembly
97	951-11733	Oil Return Seal
98	736-04491	Crankshaft Thrust Washer
99	951-11609	Governor Gear Mounting Plate

Ref.	Part Number	Description
100	951-11549	Governor Gear/Shaft Assembly
110	715-04092	Crankcase Cover Dowel Pin 7×14
111	715-04089	Crankcase Cover Dowel Pin 9×14
112	710-04931	Bolt M6X28 X65/P65 Crankcase
113	736-04440	Oil Drain Plug Washer
114	710-04906	Oil Drain Plug
115	951-14418	Crankcase Cover
116	951-11545	Lower Crankshaft Seal
175	951-10370	Oil Drain Plug & Washer Assembly

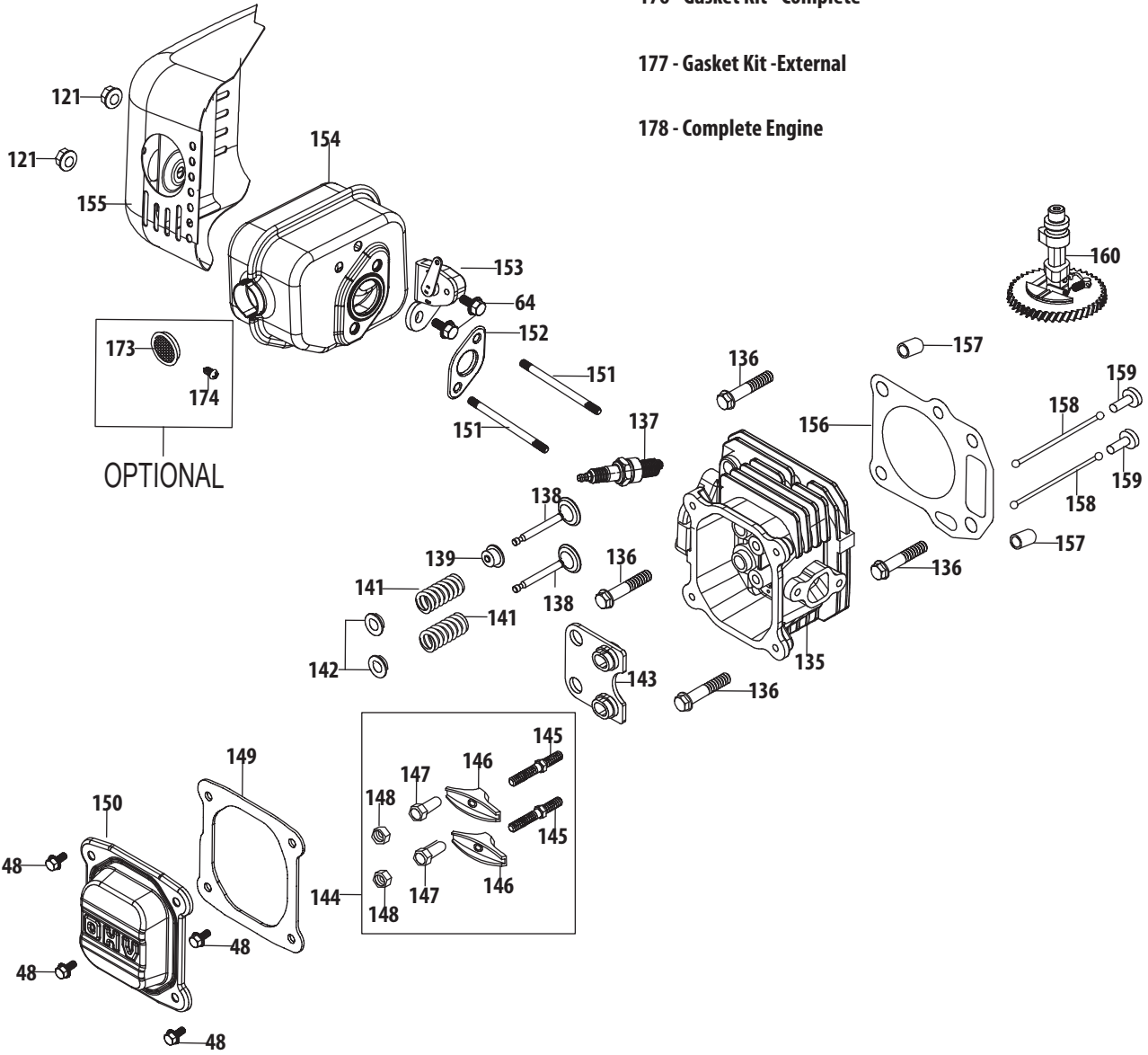
# 5X65RU Flywheel & Shroud



Ref.	Part Number	Description
1	951-14396	Starter Recoil Assembly
2	712-04290	Starter Acorn Nut
3	731-07925	Starter Handle
6	951-11721	Recoil Pulley & Spring Assembly
15	951-14397	Starter/Shroud Rear Stud M6x78.5
16	951-14398	Starter/Shroud Front Stud M6x74
18	951-14399	Engine Shroud Assembly

Ref.	Part Number	Description
19	750-05320	Engine Shroud Spacer
20	951-14442	Carbon Canister Assembly
21	951-14126	Carbon Canister
24	951-14400	Carbon Canister Filter
25	951-14127	Carbon Canister Filter Cap
26	712-04287	Flywheel Nut M14
27	951-14401	Flywheel

# 5X65RU Cylinder Head



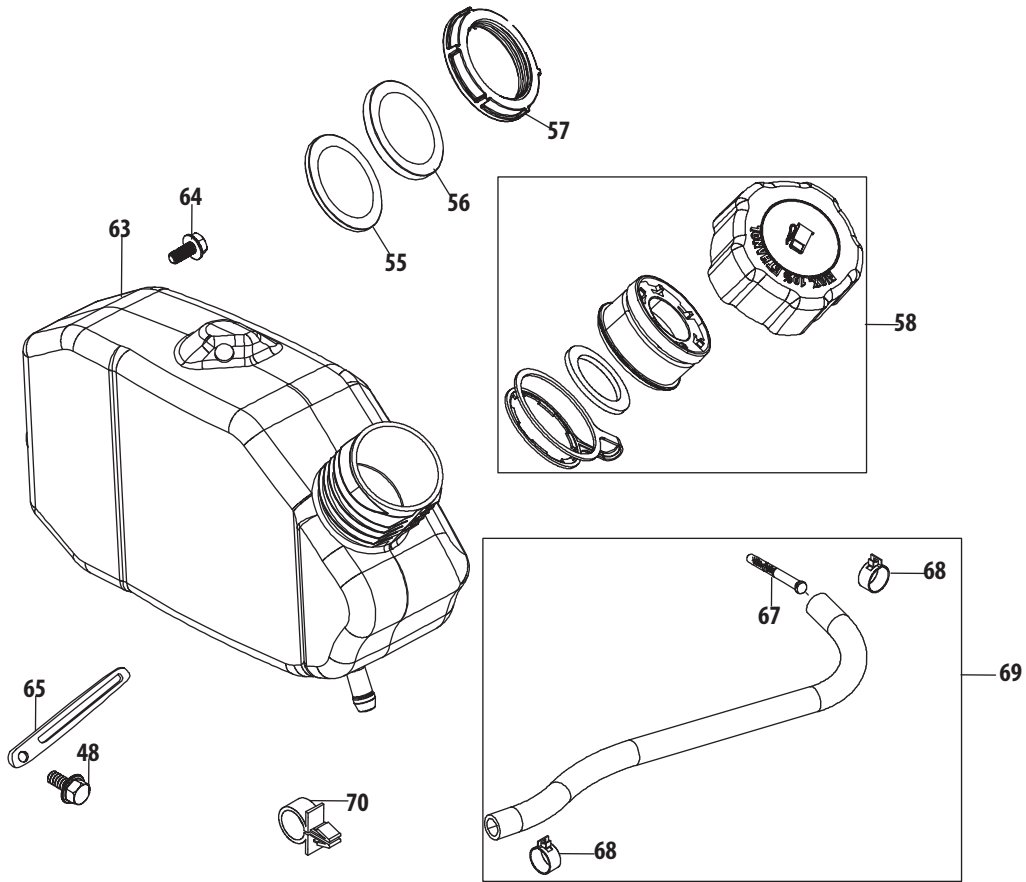


## 5X65RU Cylinder Head

Ref.	Part Number	Description
48	710-04916	Bolt M6X14 Multi-Purpose
135	951-14448	Cylinder Head Asm (Incl.132,133,135,138-143, 145-149,152,156)
	951-14445	Cylinder Head Service Kit (Incl.136,139,149,156)
136	710-04982	Bolt M8X54 Cylinder Head
137	951-14437	Spark Plug, F5Rtc
138	951-10313	Valve Kit
139	951-11818	Intake Valve Seal
140	951-10313	Valve Kit
141	951-12004	Valve Spring
142	951-11977	Valve Spring Retainer
143	951-11687	Push Rod Guide
144	951-11606	Rocker Arm Assembly
145	710-04902	Rocker Arm Stud
146	951-12001	Rocker Arm
147	751-11123	Fulcrum Nut
148	751-11124	Jam Nut
149	951-11551	Valve Cover Gasket
150	951-14426	Valve Cover

Ref.	Part Number	Description
151	710-05094	Muffler Stud M6X95
151	951-10342	Muffler Stud Assembly
152	951-14427	Muffler Gasket
153	951-14428	Choke Temp Control Thermostat
154	951-14429	Muffler Assembly
155	951-14430	Muffler Shield
156	951-14431	Cylinder Head Gasket
157	715-04108	Cylinder Head Dowel Pin 10x16
158	951-10314	Push Rod Kit
159	951-14432	Tappet
160	951-11741	Camshaft Assembly
173	951-10351	Spark Arrestor
174	710-04983	Spark Arrestor Screw
176	951-14443	Gasket Kit - Complete (Incl.50,51,83,88,95,113,116,126, 128,131-133,149,152,156)
177	951-14444	Gasket Kit -External (Incl.50,95,113,126,128, 131-133,149,152)
178	952Z5X65RU	Complete Engine

# 5X65RU Fuel Tank



Ref.	Part Number	Description
48	710-04916	Bolt M6X14 Multi-Purpose
55	731-08133	Fuel Tank Lower Grommet
56	951-14406	Fuel Tank Upper Grommet
57	731-08104	Fuel Tank Nut
58	951-14407	Fuel Cap Assembly
63	931-04629	Fuel Tank
64	710-04915	Bolt M6X12 Multi-Purpose
65	951-11680	Flexible Clamp, Vent Hose
67	951-10358A	Fuel Filter
68	951-11700	Fuel Hose Clamp
69	951-14438	Fuel Line Kit
70	723-04071	Plastic Support Clamp



To order replacement parts or locate your nearest service dealer call Customer Support at (800) 828-5500.  
or visit [www.troybilt.com](http://www.troybilt.com) to find the nearest authorized dealer in your area.

---

**TROY-BILT LLC, P.O. BOX 361131 CLEVELAND, OHIO 44136-0019**

---