

PART# 50100002 US/UK Ver 3.0



RTX3370 TELEHEALTH MONITOR • USER MANUAL

HOW TO INSTALL AND INSTRUCTIONS FOR USE

The RTX3370 is for use in non-clinical settings (such as the home), as an accessory device that is intended to be a communication tool to enable healthcare providers to receive historical patient information. It is intended to be used in combination with a variety of external devices. The RTX3370 serves as the remote communication link between compatible external devices, and the compatible healthcare facility at another location. The healthcare facility could be at a disease management centre or with the healthcare/wellness provider or other out of hospital caregivers.

The purpose is to collect and transmit selected medical information (such as weight, blood pressure, blood glucose) over a normal residential telephone line. The RTX3370 does not measure, interpret or make any decisions on the vital data that it conveys.

Contraindications, precautions and warnings

- This device is not intended for emergency calls, and may not be used for transmission or indication of any real-time alarms or time-critical data.
- All patient medical diagnosis and treatment are to be performed under the supervision and oversight of an appropriate healthcare professional.
- This device is not for use in systems, that substitute for medical care.
- This device is not intended for patients requiring direct medical supervision or emergency intervention.

Important information

- It is important that the cables be carefully arranged and secured to avoid unintended disconnection, or the possibility of tripping or blocking the path of a wheelchair or other moving objects.
- Be careful not to use a power socket that may be switched off unintentionally.
- Do not install or service the device, power adapter or cables during an electrical storm.
- Do not place the RTX3370 in extreme climatic conditions (excessive heat or humidity, in direct sunlight or where it may be exposed to large amounts of dust).
- Do not place beverages near the RTX3370 as spills may easily result in serious damage.
- Protect the device and cables from damage.
- Keep pets and small children away from the area where the RTX3370 and cables are located.
- Equipment not suitable for use in the presence of a flammable anaesthetic mixture with air or with oxygen or nitrous oxide.

External devices to be used with RTX3370

- A&D Bluetooth Weight Scale “UC-321PBT”. Wireless Bluetooth connection.
- A&D Bluetooth Blood Pressure Monitor “UA-767PBT”. Wireless Bluetooth connection.
- Roche “Accu-Chek Compact”, “Accu-Chek Compact Plus”, “Accu-Chek Aviva”. Infrared connection.
- Lifescan “OneTouch Ultra”. Cable connection.
- Abbot/Therasense “Freestyle”. Cable connection.
- A&D Weight Scale “UC-321PL”. Cable connection.
- THT Weight Scale “SC-1”. Cable connection.
- PiKo-1 peak flow meter. Cable connection.

The RTX3370 Telehealth Monitor is used for reception and communication of measurements taken by on-site external devices such as Blood Pressure Monitors, Personal Weight Scales, Blood Glucose Meters and other compatible devices: The communication will be performed using:

- Wireless data connection.
- Infrared data connection.
- Cable connection.

The display on the RTX3370 can be used to show questions that can be answered by pushing the selection buttons below the display. The current function of the right and left selection buttons will be stated in the display. If nothing is stated the button is disabled. A speaker is used to support the information shown in the display verbally. If a menu appears, where different options are listed the up and down buttons to the right of the display can be used to navigate in the list before selecting the appropriate choice. After the RTX3370 has received the measured values and answers, it generates a call and conveys the data to a remote facility via a public telephone line. In some cases, the RTX3370 is programmed to deliver data at a specific time of the day. The delivery of data will automatically be repeated if the attempt to deliver data fails.

Cleaning and Maintenance

The RTX3370 may be cleaned with a soft, dry cloth or a cloth dampened with tap water and a mild detergent. A household glass cleaner on a soft, dry cloth may be used to clean off smudges. Never use any solvent, thinner, lighter fluid, alcohol, wet wipes or similar products on the RTX3370.

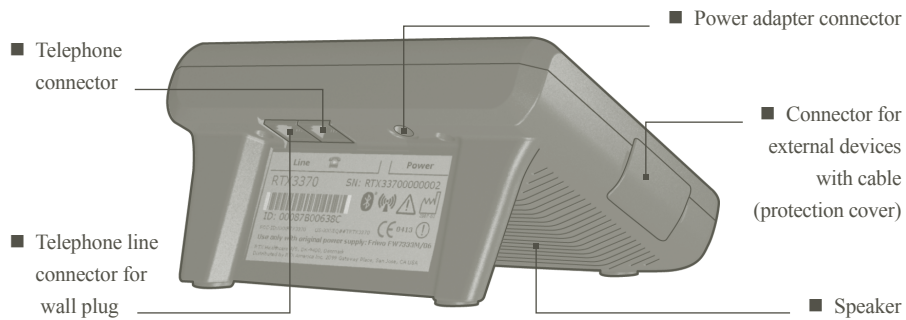
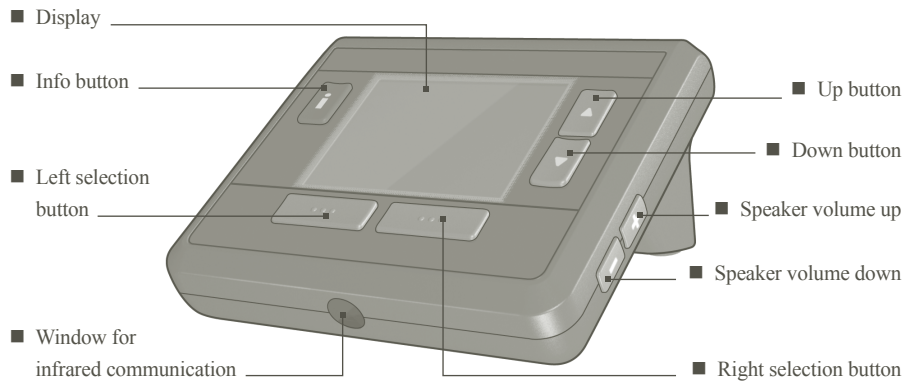
Note

This equipment has been tested and found to comply with the limits for a Class B digital device, pursuant to Part 15 of the FCC Rules. These limits are designed to provide reasonable protection against harmful interference in a residential installation. This equipment generates, uses and can radiate radio frequency energy and, if not installed and used in accordance with the instructions, may cause harmful interference to radio communications. However, there is no guarantee that interference will not occur in a particular installation. If this equipment does cause harmful interference to radio or television reception, which can be determined by turning the equipment off and on, the user is encouraged to try to correct the interference by one or more of the following measures:

- Reorient or relocate the receiving antenna of the other equipment.
- Increase the separation between the equipment and receiver.
- Connect the equipment into an outlet on a circuit different from the one used for the receiver.
- Consult the manufacturer or an experienced radio/TV technician for help.

This device complies with Part 15 of the FCC Rules. Operation is subject to the following two conditions:

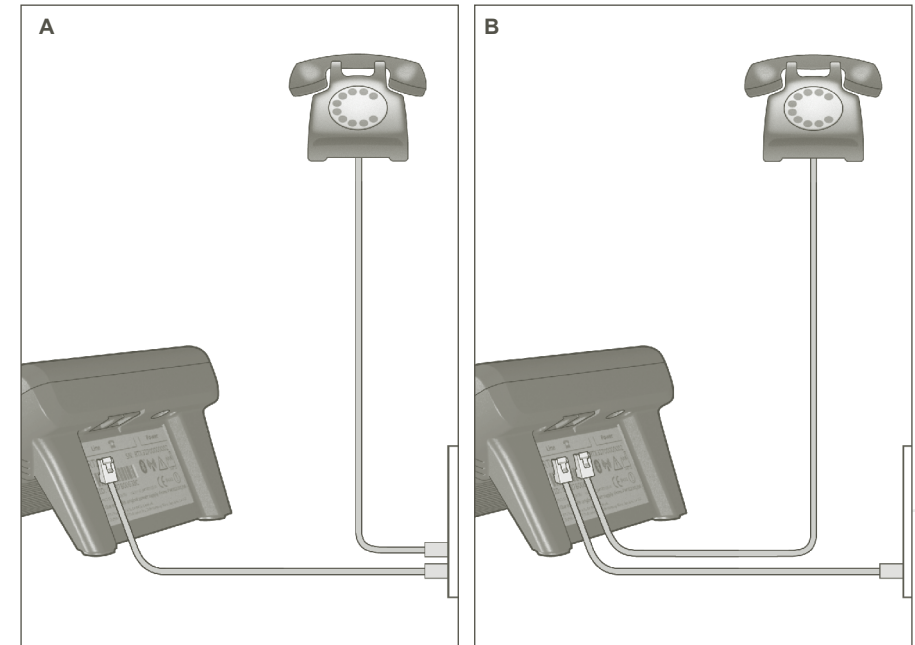
- (1) this device may not cause harmful interference, and
- (2) this device must accept any interference received, including interference that may cause undesired operation. Modifications not expressly approved by RTX Healthcare could void the user’s authority to operate the equipment.



Before installation, please read all the information provided in this manual!

Inspect the package for any damage. In the event of damage, please call for service.

Always keep the original package for return shipment.

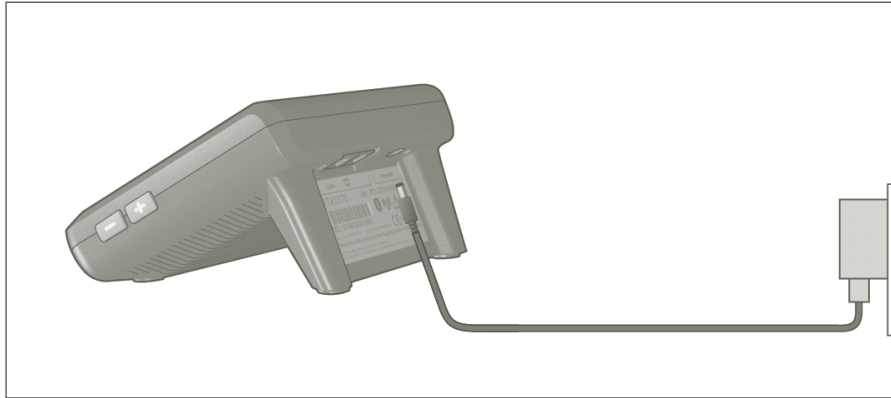


1 Connect RTX3370 to the telephone system:

If you have a double telephone outlet in the wall, connect both the phone and the RTX3370 to the outlet (picture **A**). If you have a single telephone outlet in the wall, first connect the telephone to the RTX3370, then connect the RTX3370 to the outlet (picture **B**).

Important

When the RTX3370 uses the telephone line to send data, it will attempt to release the telephone line if a normal phone call has to be made. If the line is not released please try again after a few seconds or disconnect the RTX3370 to make a call.



- 2 Connect the power supply adapter to RTX3370 and to an electrical outlet.
The display of the RTX3370 will light up when the system is ready for use.

Important

Use only the original power supply adapter Friwo FW7333M/06 which comes with the RTX3370
 The RTX3370 contains a small lithium battery. Do not replace.

Important

After installation, always check that the telephone can be used for making calls as usual.
 Avoid disconnecting the power supply adapter from the RTX3370.
 Make sure that the power source cannot be switched off unintentionally.

Switching the RTX3370 off

If necessary the RTX3370 can be switched off by unplugging the power supply adapter from the electrical outlet. In connection with problems with the telephone line or the RTX3370, please disconnect the RTX3370 to make the call.

Note

Use of mobile or portable phones or other RF emitting equipment near the RTX3370 may cause unexpected or adverse operation. Observe the operation of the RTX3370 when RF emitters are in the vicinity.

Warning

Use of other electrical equipment on or near the RTX3370 may cause interference. Verify normal operation of the RTX3370 in your installation before use.

This equipment complies with Part 68 of the rules and requirements adopted by ACTA. On the back of side of this equipment is a label that contains, among other information, a product identifier in the format US:RTXMM00BRTX3370. If requested, this number must be provided to the telephone company.

The registration jack USOC for the equipment is RJ11C. A plug and jack used to connect this equipment to the premise wiring and telephone network must comply with the applicable FCC Part 68 rules and requirements adopted by the ACTA.

A compliant telephone cord and modular plug is provided with this product. It is designed to be connected to a compatible modular jack that is also compliant. See installation instructions for details. The REN is used to determine the number of devices that devices that may be connected to a telephone line. Excessive RENs on a telephone line may result in the devices not ringing in response to an incoming call. In most but not all areas, the sum of RENs should not exceed five (5.0).







To be certain of the number of devices that may be connected to a line, as determined by total RENs, contact the local telephone company. For products approved after July 23, 2001, the REN for this product is part of the product identifier that has the format US:AAAEQ##TXXXX. The digits represented by ## are the REN without a decimal point (e.g., 03 is a REN of 0.3). For earlier products the REN is separately shown on the label.

If this equipment US:RTXMM00BRTX3370 causes harm to the network, the telephone company will notify you in advance that temporary discontinuance of service may be required. But if advance notice is not practical, the telephone company will notify the customer as soon as possible. Also, you will be advised of your right to file a complaint with the FCC if you believe it is necessary. The telephone company may make changes in its facilities, equipment, operations or procedures that could affect the operation of the equipment. If this happens the telephone company will provide advance notice in order for you to make necessary modifications to maintain uninterrupted service. If trouble is experienced with this equipment US:RTXMM00BRTX3370, for repair or warranty information, please contact RTX America, Inc., 2099 Gateway Place, Suite 310, San Jose, California 95110. If the equipment is causing harm to the telephone network, the telephone company may request that you disconnect the equipment until the problem is resolved.

Connection to party line service is subject to state tariffs. Contact the state public utility commission, public service commission or corporation commission for information.

If your home has specially wired alarm equipment connected to the telephone line, ensure the installation of this equipment US:RTXMM00BRTX3370 does not disable your alarm equipment. If you have questions about what will disable alarm equipment, consult your telephone company or a qualified installer.

TECHNICAL SPECIFICATIONS

- This device is for use at home.
- Power requirements Mains: 100-240 VAC, 50-60Hz, 200 mA, Class II, No applied part. Only use the original power supply adapter with the type designation FW7333M/06.
- Power supply adapter: Equipment protected by double insulation or reinforced insulation.
CAUTION Risk of electrical shock. Dry location use only.
~ Alternating current Direct current.
- Real time clock backup battery: MF621F, Rechargeable Lithium battery (Perchlorate Material-special handling may apply, See www.dtsc.ca.gov/hazardouswaste/perchlorate).
- Range of temperatures Operating: +10°C to +40°C / +50 F to +104 F.
Storage: -10°C to +45°C / +14 F to +113 F.
Transportation: -20°C to +60°C / -4 F to +140 F.
- Relative humidity Operating/Storage/Transport: 30% to 75% RH non-condensing.
- Barometric pressure Operating/Storage/Transport: 700-1060 hPa.
- Dimensions (WxLxH): 145 x 125 x 75mm / 5.7 x 4.9 x 2.9 inches.
- Weight: 295 g / 11 oz including power supply adapter.
-  Radio Transmitter: Bluetooth® compliance: Version 1.1.
Operating frequency: 2.402 to 2.480 GHz.
Output power: 1 to 100 mW / Bandwidth: <1MHz.
Antenna type: Internal.
Operational range: Up to 100 meters (indoor) depending of surroundings.
-  The internal antenna used for this mobile transmitter must provide a separation distance of at least 20 cm from the body and must not be co-located or operating in conjunction with any other antenna or transmitter.
- This device has been tested and found to comply with FCC Part 68. Please read the »US telephone network customer information« in this manual.
- This device, including the power supply adapter, is certified to comply with IEC/UL60601-1.
- This device, including the power supply adapter, is tested according to IEC60601-1-2. More detailed information related to electromagnetic compatibility (EMC) is available upon request.
- Data integrity and security: The privacy of data transmission with this device is secured by data encryption and authentication (SSL), and meets authorized standards under the HIPAA.
-  Year and month of production of this device is printed underneath this symbol.
-  Attention: See instructions for use (This manual).
-  Only dispose the RTX3370 at an appropriate recycle facility for electronics. Ask RTX for more information.
-  The frequency band is not harmonized. Use of wireless Bluetooth technology can be restricted in some countries. Contact local authorities for more information.
- **CE0543** RTX Healthcare declares that this device is in conformance with the European Directive 93/42/ECC. A copy of the declaration of conformity may be found at the website www.rtxhealthcare.com.

RTX