

Tornado and Tornado 2 (NGC) Ventless Submittal Information

1. Spec Sheets.....	1.1
2. UL Ventless Label.....	2.1
3. UL Listing.....	3.1
4. UL KNLZ Explained.....	4.1
5. Test Report.....	5.1
6. KNLZ Letter.....	6.1
7. Mechanical Code Sections.....	7.1
8. Emissions by Product.....	8.1
9. Fire and Smoke Statement.....	9.1
10. Heat Loading Calculations.....	10.1
11. Sampling of Letters from the Following States/Jurisdictions.....	11.1
California.....	11.1
North Carolina Department of Insurance.....	11.7
Wisconsin.....	11.9
Minnesota.....	11.11
Michigan.....	11.12
City of Saint Louis, MO.....	11.13
Miami County, OH.....	11.15
City of Los Angeles.....	11.17
12. Surface Temperatures.....	12.1



Project _____

Item No. _____

Quantity _____

THE TORNADO®



PERFORMANCE

- The Tornado® evenly and consistently toasts, browns and crisps food up to 12X faster than traditional cooking methods, resulting in a high level of throughput without compromising quality

VENTILATION

- UL 710B (KNLZ) listed for ventless operation.[†]
- EPA 202 test (8 hr):
 - Product: Pepperoni Pizzas
 - Results: 0.21 mg/m³
 - Ventless Requirement: <5.00 mg/m³
- Internal catalytic filtration to limit smoke, grease, and odor emissions.

EXTERIOR CONSTRUCTION

- 430 stainless steel front, top, sides and back
- 4" (102 mm) adjustable legs
- Cool to the touch pull down door with microwave seal

INTERIOR CONSTRUCTION

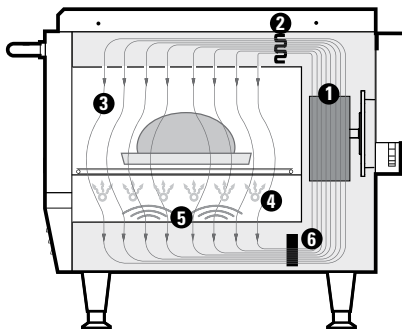
- 304 stainless steel interior
- Fully insulated cook chamber
- Removable / variable cooking surfaces
- Exposed bottom browning element

STANDARD FEATURES

- Integral recirculating catalytic converter for UL 710B (KNLZ) listed ventless operation
- Variable-speed High h recirculating impingement airflow system
- Variable cooking surfaces (racks, stones and platters)
- Independently-controlled bottom browning element
- Smart Voltage Sensor Technology* (U.S. only)
- Smart menu system capable of storing up to 128 recipes
- Built-in self-diagnostics for monitoring oven components and performance
- Stackable design (requires stacking kit)
- Manual snooze mode
- Includes plug and cord (6 ft. nominal)
- Smart card compatible
- Warranty – 1 year parts and labor

COMES WITH STANDARD ACCESSORIES

- 1 Aluminum Paddle (NGC-1478)
- 1 Bottle Oven Cleaner (103180)
- 1 Bottle Oven Guard (103181)
- 2 Trigger Sprayers (103182)
- 2 Non-stick Baskets (100011)



1. Blower Motor
2. Impingement Heater
3. Impinged Air
4. Bottom Browning Element
5. Microwave Bursts
6. Catalytic Converter



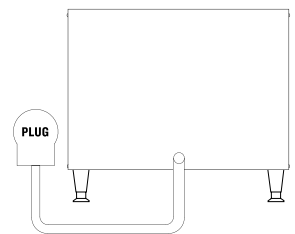
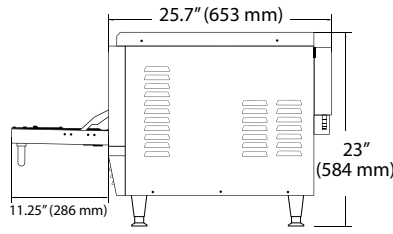
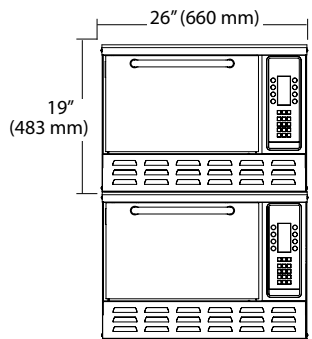
This product conforms to the ventilation recommendations set forth by NFPA96 using EPA202 test method.

* Smart Voltage Sensor Technology does not compensate for lack of or over voltage situations. It is the responsibility of the owner to supply voltage to the unit according to the specifications on the back of this sheet.

[†] Ventless certification is for all food items except for foods classified as "fatty raw proteins." Such foods include bone-in, skin-on chicken, raw hamburger meat, raw bacon, raw sausage, steaks, etc. If cooking these types of foods, consult local HVAC codes and authorities to ensure compliance with ventilation requirements.

Ultimate ventless allowance is dependent upon AHJ approval, as some jurisdictions may not recognize the UL certification or application. If you have questions regarding ventless certifications or local codes please email ventless.help@turbochef.com

TurboChef reserves the right to make substitutions of components or change specifications without prior notice.



DIMENSIONS

Single Units		
Height	19"	483 mm
on legs	23"	584 mm
Width	26"	660 mm
Depth	25.7"	653 mm
with handle	28.2"	716 mm
Weight	190 lbs.	86 kg
Stacked Units (Stacking Kit Required)		
Height	38"	965 mm
Width	26"	660 mm
Depth	25.7"	653 mm
with handle	28.2"	716 mm
Weight	380 lbs.	172 kg
Cook Chamber		
Height	8"	203 mm
Width	15.5"	394 mm
Depth	14.7"	373 mm
Volume	1.05 cu.ft.	29.9 liters
Wall Clearance (Oven not intended for built-in installation)		
Top	4"	102 mm
Sides	2"	51 mm

ELECTRICAL SPECIFICATIONS

NORTH AMERICA		
NGC (NGC-1180-1)		
Phase	1 Phase	
Voltage	208/240 VAC	
Frequency	60 Hz	
Current	30 amp	
Max Circuit Requirement	30 amp	
Plug/Cord	NEMA 6-30P; 1.5m, H07RN-F	
Max Input	5990/6675 watts	
Microwave Input Power	3500 watts	
NGCBK (NGC-1180-1K-2020)		
Phase	1 Phase	
Voltage	220 VAC	
Frequency	60 Hz	
Current	30 amp	
Max Circuit Requirement	30 amp	
Plug	IEC 309, 3-pin, 32 amp	
Max Input	6700 watts	
Microwave Input Power	3500 watts	
EUROPE/ASIA-PACIFIC		
NGCEW (NGC-1180-1W for standard) NGCEW (NGC-1180-1W-2024 for Australia/New Zealand)* NGCKW (NGC-1180-1W-2004 for South Korea)**		 Standard
Phase	3 Phase	
Voltage	400 VAC	
Frequency	50 Hz or 60 Hz**	
Current	16 amp	
		 Australia/New Zealand

Max Circuit Requirement	20 amp	
Plug	IEC 309, 5-pin, 32 amp	
Max Input	10500 watts	
Microwave Input Power	3500 watts	
NGCED (NGC-1180-1D)		
Phase	3 Phase	
Voltage	230 VAC	
Frequency	50 Hz	
Current	30 amp	
Max Circuit Requirement	32 amp	
Plug	IEC 309, 4-pin, 32 amp	
Max Input	10500 watts	
Microwave Input Power	3500 watts	
NGCUK (NGC-1180-1K)		
Phase	1 Phase	
Voltage	230 VAC	
Frequency	50 Hz	
Current	30 amp	
Max Circuit Requirement	32 amp	
Plug	IEC 309, 3-pin, 32 amp	
Max Input	6700 watts	
Microwave Input Power	3500 watts	
JAPAN		
NGCJD - 50Hz/ 3 Phase (NGC-1180-1D-2005-1) NGCJD - 60Hz/ 3 Phase (NGC-1180-1D-2005-2) NGCJK - 50Hz/ 1 Phase (NGC-1180-1K-2005-3) NGCJK - 60Hz/ 1 Phase (NGC-1180-1K-2005-4)		
Phase	1 or 3 Phase	
Voltage	200 VAC	
Frequency	50 or 60 Hz	
Current	30 amp	
Max Circuit Requirement	30 amp	
Plug	PSE-marked, 3 or 4-blade, 30 amp	
Max Input	10500 or 6700 watts	
Microwave Input Power	3500 watts	

SHIPPING INFORMATION

U.S.: All ovens shipped within the U.S. are packaged in a double-wall corrugated box banded to a wooden skid.
International: All International ovens shipped via Air or Less than Container Loads are packaged in wooden crates.
 Box size: 34" x 30" x 30" (864 mm x 762 mm x 762 mm)
 Crate size: 37" x 33" x 34" (940 mm x 838 mm x 864 mm)
 Item class: 85 NMFC #26770 HS code 8419.81
 Approximate boxed weight: 260 lb. (118 kg)
 Approximate crated weight: 320 lb. (145 kg)
 Minimum entry clearance required for box: 30.5" (775 mm)
 Minimum entry clearance required for crate: 33.5" (851 mm)

*All AU-New Zealand ovens with clips allow for 5 pin plug.
 TurboChef recommends installing a type D circuit breaker for all installations.

TurboChef Global Operations
 4240 International Pkwy, Suite 105 / Carrollton, Texas 75007 USA
 US: 800.90TURBO (800.908.8726) / International: +1 214.379.6000
 Fax: +1 214.379.6073 / turbochef.com



TORNADO 2™

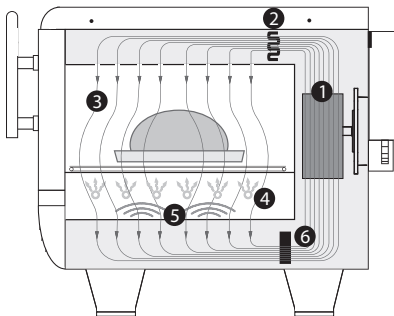


PERFORMANCE

The Tornado 2™ oven evenly and consistently toasts, browns, and crisps food up to twelve times faster than traditional cooking methods, resulting in a high level of throughput without compromising quality.

VENTILATION

- UL 710B (KNLZ) listed for ventless operation.†
- EPA 202 test (8 hr):
 - Product: Pepperoni Pizzas
 - Results: 0.21 mg/m³
 - Ventless Requirement: <5.00 mg/m³
- Internal catalytic filtration to limit smoke, grease, and odor emissions.



1. Blower Motor
2. Impingement Heater
3. Impinged Air
4. Bottom Browning Element
5. Microwave Bursts
6. Catalytic Converter

Project _____

Item No. _____

Quantity _____

EXTERIOR CONSTRUCTION

- Stainless steel exterior with powder-coated side panels
- 4" (102 mm) legs
- Cool to the touch pull down door with microwave seal

INTERIOR CONSTRUCTION

- 304 stainless steel interior
- Fully insulated cook chamber
- Removable / variable cooking surfaces
- Exposed bottom browning element

STANDARD FEATURES

- Integral recirculating catalytic converter for UL 710B (KNLZ) listed ventless operation
- Variable-speed High h recirculating impingement airflow system
- Variable cooking surfaces (racks, stones, and platters)
- Independently-controlled bottom browning element
- Smart Voltage Sensor Technology* (U.S. only)
- Smart menu system capable of storing up to 128 recipes
- Built-in self-diagnostics for monitoring oven components and performance
- Stackable design (requires stacking kit)
- Manual snooze mode
- Includes plug and cord (6 ft. nominal)
- Smart card compatible
- Warranty – 1 year parts and labor

COMES WITH STANDARD ACCESSORIES

- 1 Aluminum Paddle (NGC-1478)
- 1 Bottle Oven Cleaner (103180)
- 1 Bottle Oven Guard (103181)
- 2 Trigger Sprayers (103182)
- 2 Non-stick Baskets (100011)



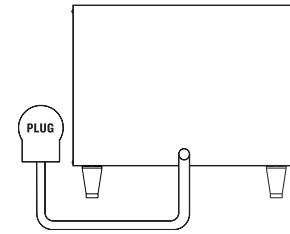
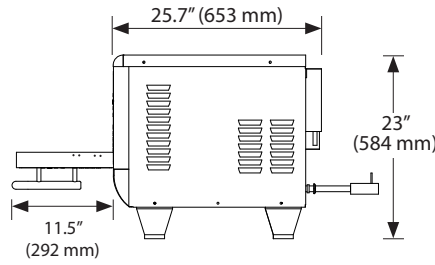
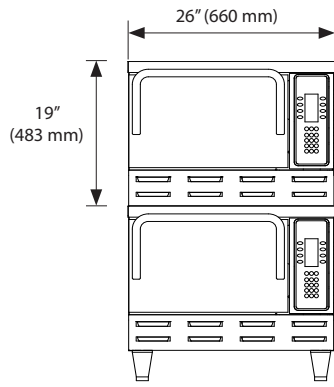
This product conforms to the ventilation recommendations set forth by NFPA96 using EPA202 test method.

* Smart Voltage Sensor Technology does not compensate for lack of or over voltage situations. It is the responsibility of the owner to supply voltage to the unit according to the specifications on the back of this sheet.

† Ventless certification is for all food items except for foods classified as "fatty raw proteins." Such foods include bone-in, skin-on chicken, raw hamburger meat, raw bacon, raw sausage, steaks, etc. If cooking these types of foods, consult local HVAC codes and authorities to ensure compliance with ventilation requirements.

Ultimate ventless allowance is dependent upon AHJ approval, as some jurisdictions may not recognize the UL certification or application. If you have questions regarding ventless certifications or local codes please email ventless.help@turbochef.com

TurboChef reserves the right to make substitutions of components or change specifications without prior notice.



DIMENSIONS		
Single Units		
Height	19"	483 mm
on legs	23"	584 mm
Width	26"	660 mm
Depth	25.7"	653 mm
with handle	28.45"	723 mm
Weight	190 lb.	86 kg
Stacked Units (Stacking Kit Required)		
Height	38"	965 mm
Width	26"	660 mm
Depth	25.7"	653 mm
with handle	28.45"	723 mm
Cook Chamber		
Height	8"	203 mm
Width	15.5"	394 mm
Depth	14.7"	373 mm
Volume	1.05 cu.ft.	29.9 liters
Wall Clearance (Oven not intended for built-in installation)		
Top	4"	102 mm
Sides	2"	51 mm
ELECTRICAL SPECIFICATIONS		
NORTH AMERICA (NGC-1280-1)		
Phase	1 Phase	
Voltage	208/240 VAC	
Frequency	60 Hz	
Current	30 amps	
Max Circuit Requirement	30 amps	
Plug/Cord	NEMA 6-30P; 1.5m, H07RN-F	
Max Input	5,990 watts (208) / 6,675 watts (240)	
Microwave Input Power	3,500 watts	
NGCBK (NGC-1280-1K-2020)		
Phase	1 Phase	
Voltage	220 VAC	
Frequency	60 Hz	
Current	30 amps	
Max Circuit Requirement	30 amps	
Plug	IEC 309, 3-pin, 32 amp	
Max Input	6,700 watts	
Microwave Input Power	3,500 watts	
EUROPE/ASIA-PACIFIC		
NGCEW (NGC-1280-1W for standard) NGCEW (NGC-1280-1W-2024 for Australia/New Zealand)* NGCKW (NGC-1280-1W-2004 for South Korea)**		
Phase	3 Phase	
Voltage	400 VAC	
Frequency	50 Hz or 60 Hz**	
Current	16 amps	
Max Circuit Requirement	20 amps	

Plug	IEC 309, 5-pin, 32 amp		
Max Input	10,500 watts		
Microwave Input Power	3,500 watts		
NGCED (NGC-1280-1D)			
Phase	3 Phase		
Voltage	230 VAC		
Frequency	50 Hz		
Current	30 amps		
Max Circuit Requirement	30 amps		
Plug	IEC 309, 4-pin, 32 amp		
Max Input	10,500 watts		
Microwave Input Power	3,500 watts		
NGCUK (NGC-1280-1K)			
Phase	1 Phase		
Voltage	230 VAC		
Frequency	50 Hz		
Current	30 amps		
Max Circuit Requirement	32 amps		
Plug	IEC 309, 3-pin, 32 amp		
Max Input	6,700 watts		
Microwave Input Power	3,500 watts		
JAPAN			
NGCJD - 50Hz/ 3 Phase (NGC-1280-1D-2005-1) NGCJD - 60Hz/ 3 Phase (NGC-1280-1D-2005-2) NGCJK - 50Hz/ 1 Phase (NGC-1280-1K-2005-3) NGCJK - 60Hz/ 1 Phase (NGC-1280-1K-2005-4)			
Phase	1 or 3 Phase		
Voltage	200 VAC		
Frequency	50 or 60 Hz		
Current	30 amps		
Max Circuit Requirement	30 amps		
Plug	PSE-marked, 3 or 4-blade, 30 amp		
Max Input	6,700 or 10,500 watts		
Microwave Input Power	3,500 watts		
SHIPPING INFORMATION			
U.S.: All ovens shipped within the U.S. are packaged in a double-wall corrugated box banded to a wooden skid. International: All International ovens shipped via Air or Less than Container Loads are packaged in wooden crates.			
Box size: 34" x 30" x 30" (864 mm x 762 mm x 762 mm) Crate size: 37" x 33" x 34" (940 mm x 838 mm x 864 mm) Item class: 85 NMFC #26770 HS code 8419.81			
Approximate boxed weight: 260 lb. (118 kg) Approximate crated weight: 320 lb. (145 kg)			
Minimum entry clearance required for box: 30.5" (775 mm) Minimum entry clearance required for crate: 33.5" (851 mm)			

*All AU-New Zealand ovens with clips allow for 5 pin plug.

TurboChef recommends installing a type D circuit breaker for all installations.

TurboChef Global Operations

4240 International Pkwy, Suite 105 / Carrollton, Texas 75007 USA
 US: 800.90TURBO (800.908.8726) / International: +1 214.379.6000
 Fax: +1 214.379.6073 / turbochef.com



Commercial Microwave/Convection Oven
with Integral Systems for Limiting
the Emissions of Grease Laden Air

This Product Conforms to the Ventilation Recommendations
Set Forth by NFPA96 Using EPA202 Test Method



KNLZ.E151487
Commercial Cooking Appliances with Integral Systems for Limiting the Emission of Grease-laden Air

[Page Bottom](#)

Commercial Cooking Appliances with Integral Systems for Limiting the Emission of Grease-laden Air

[See General Information for Commercial Cooking Appliances with Integral Systems for Limiting the Emission of Grease-laden Air](#)

TURBOCHEF TECHNOLOGIES INC

E151487

SUITE 105
4240 INTERNATIONAL PKY
CARROLLTON, TX 75007 USA

Commercial microwave/convection ovens, Models C3/C, HHB, NGC, i5.

[Last Updated](#) on 2008-02-14

[Questions?](#)

[Notice of Disclaimer](#)

[Page Top](#)

[Copyright © 2008 Underwriters Laboratories Inc.®](#)

The appearance of a company's name or product in this database does not in itself assure that products so identified have been manufactured under UL's Follow-Up Service. Only those products bearing the UL Mark should be considered to be Listed and covered under UL's Follow-Up Service. Always look for the Mark on the product.

UL permits the reproduction of the material contained in the Online Certification Directory subject to the following conditions: 1. The Guide Information, Designs and/or Listings (files) must be presented in their entirety and in a non-misleading manner, without any manipulation of the data (or drawings). 2. The statement "Reprinted from the Online Certifications Directory with permission from Underwriters Laboratories Inc." must appear adjacent to the extracted material. In addition, the reprinted material must include a copyright notice in the following format: "Copyright © 2008 Underwriters Laboratories Inc.®"

An independent organization working for a safer world with integrity, precision and knowledge.





KNLZ.GuideInfo

Commercial Cooking Appliances with Integral Systems for Limiting the Emission of Grease-laden Air

[View Listings](#)[Page Bottom](#)

[Heaters and Heating Equipment] (Heaters, Cooking Appliances) Commercial Cooking Appliances with Integral Systems for Limiting the Emission of Grease-laden Air

[See General Information for Heaters, Cooking Appliances](#)

This category covers cooking equipment intended for commercial use, such as pressurized deep fat fryers and other appliances for use in commercial kitchens, restaurants or other business establishments where food is prepared. Each appliance covered in this category is manufactured with an integral system feature to limit the emission of grease-laden air from the cooking process to the room ambient.

These appliances have been evaluated for the limit of 5 mg/m³ for the emission of grease-laden air to the room ambient in accordance with the recommendations of the National Fire Protection Association Standard for Ventilation Control and Fire Protection of Commercial Cooking Operations, NFPA 96, using the EPA-202 test method prescribed for cooking appliances provided with integral recirculating air systems.

These products are not intended for connection to a ducted exhaust system.

Appliances in this category are not provided with an integral fire extinguishing system. Authorities having jurisdiction should be consulted as to the requirements for this equipment with respect to fire extinguishing systems, such as the need for field installed systems in accordance with NFPA 96.

For products with integral recirculating systems including fire extinguishing systems, refer to Commercial, with Integral Recirculating Systems ([KNKG](#)).

In cases where the nature or construction of equipment is such that special precautions beyond the requirements of the National Electrical Code must be observed in installations or use, suitable warning or special instructions are marked on the equipment.

Appliances Listed in this category are suitable for wiring with either copper or aluminum power supply conductors unless marked "Use Copper Wire Only For Power Supply Connections" .

Commercial cooking appliances of certain types are designed for permanent connections to water supply and sewer lines at the point of installation. Authorities having jurisdiction should be consulted as to the requirements for this equipment with respect to sanitation and connection to water supply and waste disposal lines.

Neither the toxicity of coatings nor the physiological effects on persons consuming food products prepared by use of these appliances has been investigated.

For cooking oil filters that are not an integral part of another appliance, see Commercial Filters for Cooking Oil ([KNRF](#)).

For additional information, see Electrical Equipment for Use in Ordinary Locations ([AALZ](#)) and Heating, Cooling, Ventilating and Cooking Equipment ([AAHC](#)).

The basic standard used to investigate products in this category is [ANSI/UL 197](#), "Commercial Electric Cooking Appliances".

Appliances Listed in this category with an integral cooking oil filter have been additionally investigated to the requirements in the standard "Commercial Filters for Cooking Oil", [ANSI/UL 1889](#).

The Listing Mark of Underwriters Laboratories Inc. on the product is the only method provided by UL to identify products manufactured under its Listing and Follow-Up Service. The Listing Mark for these products includes the name and/or symbol of Underwriters Laboratories Inc. (as illustrated in the Introduction of this Directory) together with the word "LISTED," a control number and one of the following product names as appropriate: "Commercial Cooking Appliance," "Cooking Appliance," or other appropriate product identity specified in the individual Listing, along with the words "with integral system for limiting the emission of grease-laden air. "

[Last Updated](#) on 1999-02-19

[Questions?](#)

[Notice of Disclaimer](#)

[Page Top](#)

[Copyright © 2008 Underwriters Laboratories Inc.®](#)

The appearance of a company's name or product in this database does not in itself assure that products so identified have been manufactured under UL's Follow-Up Service. Only those products bearing the UL Mark should be considered to be Listed and covered under UL's Follow-Up Service. Always look for the Mark on the product.

UL permits the reproduction of the material contained in the Online Certification Directory subject to the following conditions: 1. The Guide Information, Designs and/or Listings (files) must be presented in their entirety and in a non-misleading manner, without any manipulation of the data (or drawings). 2. The statement "Reprinted from the Online Certifications Directory with permission from Underwriters Laboratories Inc." must appear adjacent to the extracted material. In addition, the reprinted material must include a copyright notice in the following format: "Copyright © 2008 Underwriters Laboratories Inc.®"

An independent organization working for a safer world with integrity, precision and knowledge.



Corporate Office 1930 S. Forest Hill Place, Danville, California 94526 p: 925.838.7561 f: 925.743.1568 www.fishnick.com

Mailing Address P.O. Box 1247, San Ramon, California 94583



September 8, 2003

TurboChef Technologies, Inc.
10500 Metric Drive, Suite 128
Dallas, Texas 75243

Dear Mr. Pool:

The eight-hour cooking emissions test on the NGC electric oven was completed as scheduled on August 27, 2003. The test samples have been analyzed and the total particulate matter (PM) concentration (mg/m^3) has been determined to be $0.523 \text{ mg}/\text{m}^3$ at an applied ventilation rate of 200 cfm.

The result of this test definitively supports the use of the NGC oven without the benefit of a Type I dedicated exhaust hood. Set against the pass/fail criteria of UL 197, the total PM concentration produced by the oven falls well below the standard's limit of $5.0 \text{ mg}/\text{m}^3$ for allowable grease emissions. Further, the measured total PM concentration of $0.523 \text{ mg}/\text{m}^3$ is below the $1.5 \text{ mg}/\text{m}^3$ limit adopted by some regulatory agencies.

The attached table summarizes the food product specifications, cooking parameters, constant test conditions and test results of the eight-hour cooking emissions test.

Please feel free to contact me should you have any questions or would like to further discuss the results of this test.

Sincerely,

Todd Bell
Emissions Researcher
Food Service Technology Center

Enclosure: 1

Emissions Testing Summary

Food Product Specification

Test Food Product Pepperoni Pizza
Average Total Weight of each Pizza (lb)..... 0.42

Cooking Parameters

Cook Time (minutes) 2.0
Loading Time (minutes)..... 0.25
Removal Time (minutes)..... 0.25
Total Cooking Cycle (minutes)..... 2.50
Pre-Cooking State (°F)..... 30 ± 2.0
Number of Pizzas 384
Number of Pizzas per Load..... 2

Test Conditions

Sampling Time (hours) 8
Exhaust Ventilation Rate (cfm)..... 200
Number of Probe Sampling Points..... 3
Time Interval at each Sampling Point (minutes)..... 30

Test Results

Total PM Concentration (mg/m³)..... 0.523

**Northbrook Division**

333 Pfingsten Road
Northbrook, IL 60062-2096 USA
www.ul.com
tel: 1 847 272 8800
fax: 1 847 272 8129
Customer service: 1 877 854 3577

April 10, 2007

Mr. James Pool
Turbochef Technologies Inc
Suite 105 4240 International Pky
Carrollton, TX 75007
United States

Our Reference: File E151487

Subject: INTEGRAL RECIRCULATING SYSTEM

Dear Mr. Pool:

In reply to your e-mail message received today, I offer the following.

Products in the KNLZ category (as well as KNKG) are evaluated to UL710B. It used to be that UL197 and supplement SB in UL197 was the standard that they were evaluated to. Basically, UL197 and Supplement SB became UL710B. There is no more Supplement SB in UL197 (9th Ed.).

Any information and documentation involving UL Mark services are provided on behalf of Underwriters Laboratories Inc. (UL) or any authorized licensee of UL.

Very truly yours,

A handwritten signature in cursive script that reads 'Fred Zaplatosch'.

Fred Zaplatosch
Staff Engineer
3015CNBK
Tel: 847-664-2853
Fax: 847-313-2853
fred.zaplatosch@us.ul.com



air from the exhaust outlet discharges away from such locations.

506.4 Ducts serving Type II hoods. Single or combined Type II exhaust systems for food-processing operations shall be independent of all other exhaust systems. Commercial kitchen exhaust systems serving Type II hoods shall comply with Sections 506.4.1 and 506.4.2.

506.4.1 Type II exhaust outlets. Exhaust outlets for ducts serving Type II hoods shall comply with Sections 401.4 and 401.4.2. Such outlets shall be protected against local weather conditions and shall meet the provisions for exterior wall opening protectives in accordance with the *International Building Code*.

506.4.2 Ducts. Ducts and plenums serving Type II hoods shall be constructed of rigid metallic materials. Duct construction, installation, bracing and supports shall comply with Chapter 6. Ducts subject to positive pressure and ducts conveying moisture-laden or waste-heat-laden air shall be constructed, joined and sealed in an approved manner.

506.5 Exhaust equipment. Exhaust equipment, including fans and grease reservoirs, shall comply with Sections 506.5.1 through 506.5.5 and shall be of an approved design or shall be listed for the application.

506.5.1 Exhaust fans. Exhaust fan housings serving a Type I hood shall be constructed as required for grease ducts in accordance with Section 506.3.1.1.

Exception: Fans listed and labeled in accordance with UL 762.

506.5.1.1 Fan motor. Exhaust fan motors shall be located outside of the exhaust airstream.

506.5.2 Exhaust fan discharge. Exhaust fans shall be positioned so that the discharge will not impinge on the roof, other equipment or appliances or parts of the structure. A vertical discharge fan shall be manufactured with an approved drain outlet at the lowest point of the housing to permit drainage of grease to an approved grease reservoir.

506.5.3 Exhaust fan mounting. An upblast fan shall be hinged and supplied with a flexible weatherproof electrical cable to permit inspection and cleaning. The ductwork shall extend a minimum of 18 inches (457 mm) above the roof surface.

506.5.4 Clearances. Exhaust equipment serving a Type I hood shall have a clearance to combustible construction of not less than 18 inches (457 mm).

Exception: Factory-built exhaust equipment installed in accordance with Section 304.1 and listed for a lesser clearance.

506.5.5 Termination location. The outlet of exhaust equipment serving Type I hoods shall be in accordance with Section 506.3.12.

Exception: The minimum horizontal distance between vertical discharge fans and parapet-type building structures shall be 2 feet (610 mm) provided that such struc-

tures are not higher than the top of the fan discharge opening.

SECTION 507 COMMERCIAL KITCHEN HOODS

507.1 General. Commercial kitchen exhaust hoods shall comply with the requirements of this section. Hoods shall be Type I or Type II and shall be designed to capture and confine cooking vapors and residues. Commercial kitchen exhaust hood systems shall operate during the cooking operation.

Exceptions:

1. Factory-built commercial exhaust hoods which are tested in accordance with UL 710, listed, labeled and installed in accordance with Section 304.1 shall not be required to comply with Sections 507.4, 507.7, 507.11, 507.12, 507.13, 507.14 and 507.15.
2. Factory-built commercial cooking recirculating systems which are tested in accordance with UL 710B, listed, labeled and installed in accordance with Section 304.1 shall not be required to comply with Sections 507.4, 507.5, 507.7, 507.12, 507.13, 507.14 and 507.15.
3. Net exhaust volumes for hoods shall be permitted to be reduced during no-load cooking conditions, where engineered or listed multispeed or variable-speed controls automatically operate the exhaust system to maintain capture and removal of cooking effluents as required by this section.

507.2 Where required. A Type I or Type II hood shall be installed at or above all commercial cooking appliances in accordance with Sections 507.2.1 and 507.2.2. Where any cooking appliance under a single hood requires a Type I hood, a Type I hood shall be installed. Where a Type II hood is required, a Type I or Type II hood shall be installed.

507.2.1 Type I hoods. Type I hoods shall be installed where cooking appliances produce grease or smoke, such as occurs with griddles, fryers, broilers, ovens, ranges and wok ranges.

507.2.1.1 Operation. Type I hood systems shall be designed and installed to automatically activate the exhaust fan whenever cooking operations occur. The activation of the exhaust fan shall occur through an interlock with the cooking appliances, by means of heat sensors or by means of other approved methods.

507.2.2. Type II hoods. Type II hoods shall be installed where cooking or dishwashing appliances produce heat, steam, or products of combustion and do not produce grease or smoke, such as steamers, kettles, pasta cookers and dishwashing machines.

Exceptions:

1. Under-counter-type commercial dishwashing machines.
2. A Type II hood is not required for dishwashers and potwashers that are provided with heat and water

vapor exhaust systems that are supplied by the appliance manufacturer and are installed in accordance with the manufacturer's instructions.

3. A single light-duty electric convection, bread, retherm or microwave oven. The additional heat and moisture loads generated by such appliances shall be accounted for in the design of the HVAC system.

4. A Type II hood is not required for the following electrically heated appliances: toasters, steam tables, popcorn poppers, hot dog cookers, coffee makers, rice cookers, egg cookers, holding/warming ovens. The additional heat and moisture loads generated by such appliances shall be accounted for in the design of the HVAC system.

507.2.3 Domestic cooking appliances used for commercial purposes. Domestic cooking appliances utilized for commercial purposes shall be provided with Type I or Type II hoods as required for the type of appliances and processes in accordance with Sections 507.2, 507.2.1 and 507.2.2.

507.2.4 Extra-heavy-duty. Type I hoods for use over extra-heavy-duty cooking appliances shall not cover other appliances that require fire extinguishing equipment and such hoods shall discharge to an exhaust system that is independent of other exhaust systems.

507.3 Fuel-burning appliances. Where vented fuel-burning appliances are located in the same room or space as the hood, provisions shall be made to prevent the hood system from interfering with normal operation of the appliance vents.

507.4 Type I materials. Type I hoods shall be constructed of steel not less than 0.043 inch (1.09 mm) (No. 18 MSG) in thickness, or stainless steel not less than 0.037 inch (0.94 mm) (No. 20 MSG) in thickness.

507.5 Type II hood materials. Type II hoods shall be constructed of steel not less than 0.030 inch (0.76 mm) (No. 22 Gage) in thickness, stainless steel not less than 0.024 inch (0.61 mm) (No. 24 Gage) in thickness, copper sheets weighing not less than 24 ounces per square foot (7.3 kg/m²), or of other approved material and gage.

507.6 Supports. Type I hoods shall be secured in place by non-combustible supports. All Type I and Type II hood supports shall be adequate for the applied load of the hood, the unsupported ductwork, the effluent loading, and the possible weight of personnel working in or on the hood.

507.7 Hood joints, seams and penetrations. Hood joints, seams and penetrations shall comply with Sections 507.7.1 and 507.7.2.

507.7.1 Type I hoods. External hood joints, seams and penetrations for Type I hoods shall be made with a continuous external liquid-tight weld or braze to the lowest outermost perimeter of the hood. Internal hood joints, seams, penetrations, filter support frames, and other appendages attached

inside the hood shall not be required to be welded or brazed but shall be otherwise sealed to be grease tight.

Exceptions:

1. Penetrations shall not be required to be welded or brazed where sealed by devices that are listed for the application.
2. Internal welding or brazing of seams, joints, and penetrations of the hood shall not be prohibited provided that the joint is formed smooth or ground so as to not trap grease, and is readily cleanable.

507.7.2 Type II hoods. Joints, seams and penetrations for Type II hoods shall be constructed as set forth in Chapter 6, shall be sealed on the interior of the hood and shall provide a smooth surface that is readily cleanable and water tight.

507.8 Cleaning and grease gutters. A hood shall be designed to provide for thorough cleaning of the entire hood. Grease gutters shall drain to an approved collection receptacle that is fabricated, designed and installed to allow access for cleaning.

507.9 Clearances for Type I hood. A Type I hood shall be installed with a clearance to combustibles of not less than 18 inches (457 mm).

Exception: Clearance shall not be required from gypsum wallboard attached to noncombustible structures provided that a smooth, cleanable, nonabsorbent and noncombustible material is installed between the hood and the gypsum wallboard over an area extending not less than 18 inches (457 mm) in all directions from the hood.

507.10 Hoods penetrating a ceiling. Type I hoods or portions thereof penetrating a ceiling, wall or furred space shall comply with all the requirements of Section 506.3.10.

507.11 Grease filters. Type I hoods shall be equipped with listed grease filters designed for the specific purpose. Grease-collecting equipment shall be provided with access for cleaning. The lowest edge of a grease filter located above the cooking surface shall be not less than the height specified in Table 507.11.

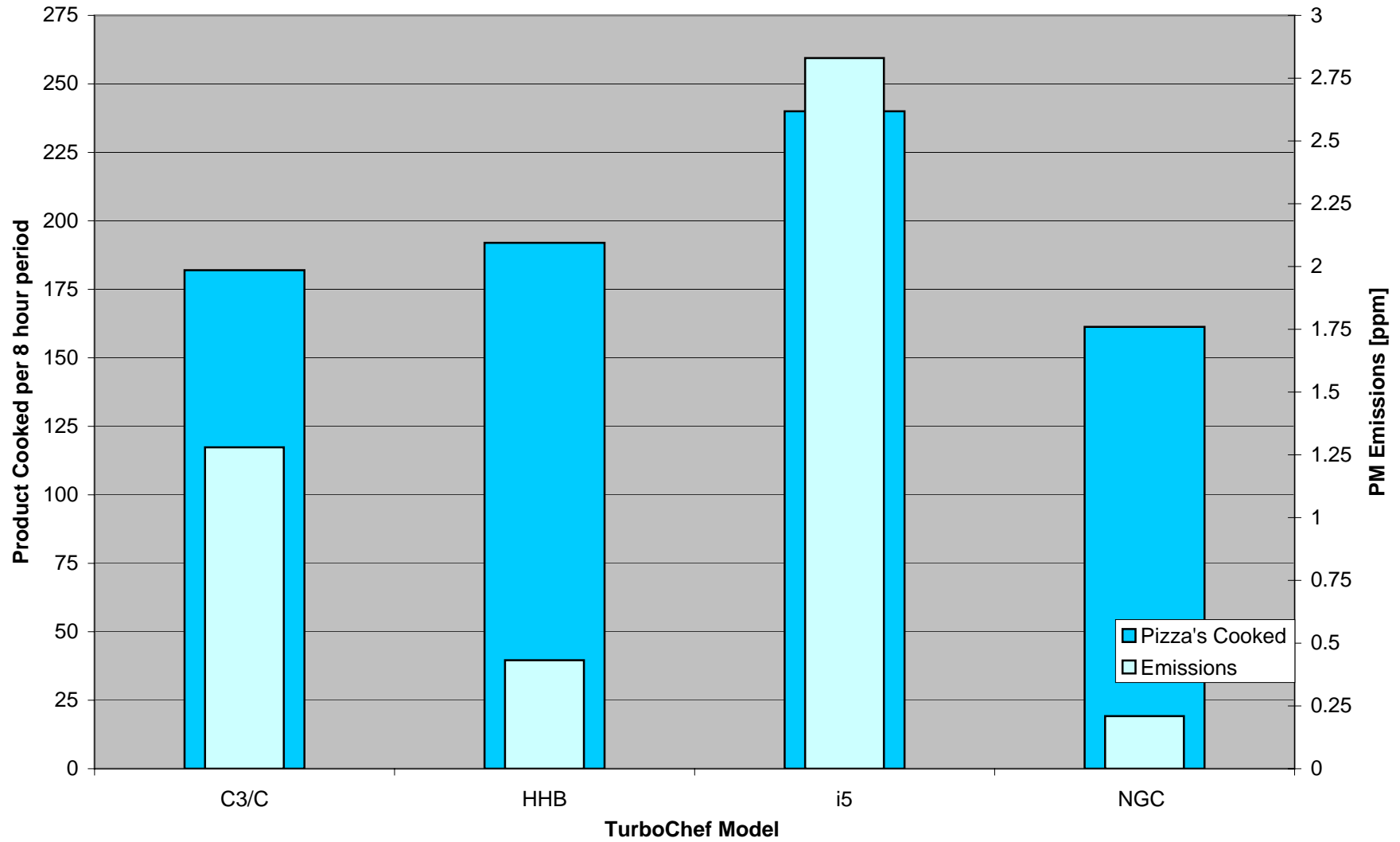
TABLE 507.11
MINIMUM DISTANCE BETWEEN THE LOWEST EDGE OF A
GREASE FILTER AND THE COOKING SURFACE OR THE
HEATING SURFACE

TYPE OF COOKING APPLIANCES	HEIGHT ABOVE COOKING SURFACE (feet)
Without exposed flame	0.5
Exposed flame and burners	2
Exposed charcoal and charcoal type	3.5

For SI: 1 foot = 304.8 mm.

507.11.1 Criteria. Filters shall be of such size, type and arrangement as will permit the required quantity of air to pass through such units at rates not exceeding those for which the filter or unit was designed or approved. Filter units shall be installed in frames or holders so as to be readily removable without the use of separate tools, unless

UL 710B (KNLZ) Emissions by Product





October 18, 2004

Mr. Mike Denny
 Building Services,
 224 West Knight St.
 City of Sioux Falls,
 South Dakota, 57102
 Ph: 605-367-8252

Re: Fire and smoke containment

Dear Mr. Denny:

The TurboChef ovens have been extensively tested and conform to UL 923 and UL KNLZ standards. The UL 923 standard is the electrical/product safety standard and the KNLZ is the low particulate matter emissions standard to which we conform. While both standards address different aspects of the oven, they both have inherent overlap as it relates to grease/smoke/fire handling.

As it relates specifically to fire safety, UL 923 specifies:

Section 57 Cavity Fire Containment Test:

The performance of an appliance subjected to this test shall be considered acceptable if all of the following conditions are met:

- a) There is no emission of fire, flame, or molten metal outside the appliance nor glowing or ignition of the cheesecloth, tissue paper, or wood surface;*
- b) The fuse rated 3 A does not open;*
- c) Following the test, the appliance complies with the requirements of Leakage Current, Section 33, and Dielectric Voltage-Withstand Test, Section 39, as applicable to primary circuits; and*
- d) Following the test and following 10 c of operation (opening and closing the door), the appliance complies with the requirements in 57.12. The radiation emission shall not exceed 5mW/cm².*

Test Method:

Section 57.2 requires that 4 potatoes each weighing between 150g and 200g be placed inside the oven under test and cooked using full microwave power and hot air (if applicable) until the potatoes catch fire. Note: The test must be repeated until it catches fire. During this test, pieces of tissue paper and cheesecloth are placed above, below and around the product to ensure that the fire and/or excessive heat generated is safely contained within the confines of the appliance.

As it relates to grease handling, UL KNLZ specifies:

UL KNLZ Guide Information Excerpt:

"These appliances have been evaluated for the limit of 5 mg/m³ for the emission of grease-laden air to the room ambient in accordance with the recommendations of the National Fire Protection Association Standard for Ventilation Control and Fire Protection of Commercial Cooking Operations, NFPA 96, using the EPA-202 test method prescribed for cooking appliances provided with integral recirculating air systems."

Test Method:

The UL KNLZ category requires that products must have less than 5.0 mg/m³ of particulate matter emissions during 8 continuous hours of cooking a "worst case" food product as measured by EPA 202. Note: Our products were tested using full-fat pepperoni pizzas.

As it pertains specifically to smoke: Smoke typically consists of visible grease particulate that escapes from a product during operation. Our ovens utilize a recirculating airpath that is catalytic scrubbed, thus the airborne grease is combusted as it crosses our catalyst. Given this, under typical/normal operating conditions, our product does not emit smoke.

If you have any issues or specific questions regarding the above, please contact me directly.

Best regards,

James K. Pool III

James K. Pool III
Vice President Engineering,
TurboChef Technologies, Inc.,
Ph: 214.379.6020
Email: james.pool@turbochef.com

NGC Tornado (1 PHASE)



Changeable Parameters		
Operating Time	12	Hours
Energy Costs	\$0.11	kWHR
Snooze Mode	0.00	Hours
Cook Cycles/Day	100	Cooks/Day
Typical Cook Time	60	Seconds

Do Not Change the following values

	Time (min)	Power (Watts)	Cost/Day	Balance of Time (hrs)
Warm up	15	5277	\$0.15	11.75
Cooking	100	5000	\$0.96	10.08
Snooze Idle	0	1100	\$0.00	10.08
Idle	605	1400	\$1.62	0
Total/Day			\$2.72	Yearly
Total/Month			\$81.72	\$980.62

HVAC Requirements Per Operating Time -- Note: Approximations Only

Average Energy Cooking And Idle (J)	Warmup Energy (J)	Total Energy (J)	Total average Power (W)	Total Environmental Load kBtu/hr	Average Cooling Requirement (ton of AC)
80820000	4749300	85569300	1981	6.759028	0.563



California
Department of
Health Services

SANDRA SHEWRY
Director

State of California—Health and Human Services Agency
Department of Health Services



ARNOLD SCHWARZENEGGER
Governor

July 23, 2004

Ruth Sender
OhCal Foods, Inc.
20501 Ventura Blvd., Suite 375
Woodland Hills, CA 91364

RE: Exemption from Mechanical Exhaust Ventilation for
TurboChef Model NGC Rapid Cook Oven

Dear Ms. Sender:

Thank you for your application of April 26, 2004, for a review of the TurboChef Model NGC Rapid Cook Oven for exemption from the mechanical exhaust ventilation requirements of Section 114140 of the California Uniform Retail Food Facilities Law (CURFFL). Specifically, you have requested an exemption to allow unventilated NGC Rapid Cook Ovens to be installed and operated at various Subway locations throughout California.

You have provided documentation and I have verified that the TurboChef Model NGC Rapid Cook Oven has been evaluated and listed by UL for conformance with ANSI/NSF Standard 4.

Under the provisions of CURFFL Section 114140, the Department may exempt heating and cooking equipment that does not produce toxic gases, grease, smoke, or heat when properly installed and operated as recommended by the manufacturer. Based on the information and documentation you have provided, the TurboChef Model NGC Rapid Cook Oven is granted LIMITED exemption from mechanical exhaust ventilation under the following conditions:

1. Unless approval is granted by the local enforcement agency, there shall be no more than one unventilated oven in operation at each Subway location.
2. No other heating or cooking appliances subject to mechanical ventilation requirements may be operated without mechanical ventilation in the food facility, unless permission to operate more than one unventilated appliance is granted by the local enforcement agency.

Ms. Ruth Sender
July 23, 2004
Page 2

3. The oven shall not be used for cooking meats, poultry, fish, or other foods that may produce grease laden vapors. Such use will require that mechanical ventilation be installed over the unit.
4. The oven must be operated and installed in a well-ventilated area approved for food preparation.
5. The oven must be installed, maintained, operated, and serviced according to the specifications of the manufacturer and local codes.
6. This exemption shall not be deemed to supersede any local fire or building code requirements.

This exemption shall be in effect until revoked. However, should any local enforcement agent find that the operation of the TurboChef Model NGC Rapid Cook Oven without mechanical ventilation creates a sanitation or safety problem, the local enforcement agent may require the unit to be used only with mechanical ventilation. These problems may include, but are not limited to, problems of installation, use, maintenance, cleaning or other site specific considerations which exceed the above limitations or pose a discernable health or safety hazard.

This letter may be used as evidence of the evaluation of the TurboChef Model NGC Rapid Cook Oven. However, it is not to be construed as an endorsement of the subject item and may not be used for advertising or promotional purposes.

If you have any questions you may call me at (916) 650-6617.

Sincerely,

Susan Strong, REHS
Program Specialist, Retail Food Unit

Cc: Mike Boian, REHS
Northern California Technical Advisory Committee

Ms. Ruth Sender
July 23, 2004
Page 3

Virginia Lineberry, REHS
Bay Area Technical Advisory Committee

Donna Fenton, REHS
Central Valley Technical Advisory Committee

Nelson Kerr, REHS
Southern California Technical Advisory Committee

Gary Erbeck, REHS
CCDEH, Food Safety Policy Committee



California
Department of
Health Services
DIANA M. BONTÁ, R.N., Dr. P.H.
Director

State of California—Health and Human Services Agency
Department of Health Services
Food & Drug Branch



GRAY DAVIS
Governor

October 25, 2002

Peter J. Ashcraft
TurboChef Technologies, Inc.
10500 Metric Drive, Suite 128
Dallas, Texas 75243

Dear Mr. Ashcraft:

RE: Exemption from External Mechanical Exhaust Ventilation

Thank you for your letter of October 7, 2002 requesting exemption from mechanical exhaust ventilation requirements specified in Section 114140 of the California Uniform Retail Food Facilities Law (CURFFL) for the Model C3/C Rapid Cook Oven.

Descriptive materials and cut sheets accompanying your application specify that this oven is Sanitation Classified by NSF International for compliance with ANSI/NSF Standard 4 for commercial heating and cooking appliances.

Under the provisions of Section 114140, the Department may exempt heating and cooking equipment that does not produce toxic gases, grease, smoke, or heat when properly installed and operated as recommended by the manufacturer. Results of tests conducted by the Pacific Gas & Electric, Food Service Technology Center, indicate that the oven produces no significant emissions of smoke and grease-laden air while in use. Based on the information you have provided and the certifications by recognized testing laboratories, the TurboChef Technologies Model C3/C Rapid Cook Oven is granted LIMITED exemption from mechanical ventilation requirements under the following conditions:

1. There may be up to two (2) unventilated Model C3/C ovens in Subway sandwich stores in California.
2. The oven(s) must be installed, maintained, operated, and serviced according to the specifications of the manufacturer and local codes.
3. Any modification, alteration, or removal of any component of the integral air filtration system voids this limited exemption.
4. All air filtration components must be installed and operational at all times the appliance is in use.
5. The oven must be installed in an approved food preparation area with sufficient room ventilation to maintain acceptable working conditions.



Do your part to help California save energy. To learn more about saving energy, visit the following web site:

www.consumerenergycenter.org/flex/index.html

Peter Ashcraft
October 25, 2002

This exemption shall be in effect until revoked. However, should any local enforcement agent find that the operation of the TurboChef Technologies Model C3/C Rapid Cook Oven without mechanical ventilation creates a sanitation or safety problem, the local enforcement agent may require the unit to be used only with external mechanical ventilation. These problems may include but are not limited to problems of installation, use, maintenance, cleaning or other site specific considerations which exceed the above limitations or pose a discernable health or safety problem.

This letter may be used as evidence of the evaluation of the TurboChef Model C3/C Rapid Cook Oven. However, it is not to be construed as an endorsement of the subject equipment and may not be used for advertising or promotional purposes.

If you have any questions you may call me at (916) 327-6905.

Sincerely,

Jeffrey C. Lineberry, MPH
Chief, Retail Food Unit

Cc: Mike Boian, REHS
Northern California Technical Advisory Committee
Butte County Environmental Health
P.O. Box 5364
Chico, CA 95927

Leslie Gentry, REHS
Bay Area Technical Advisory Committee
Solano County Environmental Health
601 Texas Street
Fairfield, CA 94533

Donna Fenton
Central Valley Technical Advisory Committee
Environmental Health Services
2700 "M" Street, Suite 300
Bakersfield, CA 93301

Peter Ashcraft
October 25, 2002

Elizabeth Quaranta
Southern California Technical Advisory Committee
San Diego County Environmental Health
1255 Imperial Avenue
San Diego, CA 92101

Gary Erbeck, Food Policy Committee
California Conference of Directors of Environmental Health
San Diego County Environmental Health
1255 Imperial Avenue
San Diego, CA 92101

NORTH CAROLINA
DEPARTMENT OF INSURANCE

Jim Long
Commissioner of Insurance
State Fire Marshal

ENGINEERING

January 4, 2006

Mr. Tom Johnson
President, JDP, Inc.
1408 Northland Drive
Suite 407
Mendota Heights, MN 55120-1013

RE: TurboChef Model HHB

Dear Mr. Johnson:

I have received your request to have TurboChef model HHB ovens placed in Subway restaurants in the state of North Carolina without requiring the installation of a Type I or Type II hood above the appliance. I have reviewed the information you submitted with your request. On February 15, 2005, I wrote a letter allowing the use of Models C3 and NGC ovens to be used in Subway restaurants or other similar type establishments. A copy of the February 15, 2005, is enclosed. The requirements and approvals stated in the February 15, 2005, will also apply to the Model HHB.

If you have any further questions, feel free to contact me.

Sincerely,

Wanda D. Edwards, PE
Deputy Commissioner
Office of the State Fire Marshal
NC Department of Insurance

Enclosure

cc: Phil Edwards, Mecklenburg County Inspections
Members of the Building Code Council



12/23/2005 10:37 AM FROM: Johnson Diversified TO: +1 (919) 662-4414 PAGE: 002 OF 015

NORTH CAROLINA
DEPARTMENT OF INSURANCE

Jim Long
Commissioner of Insurance
State Fire Marshal

ENGINEERING

February 15, 2005

Mr. Thomas W. Johnson
1408 Northland Drive
Suite 407
Mendota Heights, MN 55120-1013

Re: Turbo-Chef Convection/Microwave Oven Models C3 and NGC

Dear Mr. Johnson:

You requested consideration of the Turbo-Chef oven models C3 and NGC to be placed in Subway restaurants in the state of North Carolina without requiring installation of a Type I or Type II hood above the subject appliance. Upon review of the submitted materials and inspection by our engineering staff at a local Subway restaurant where the subject appliance is in service, neither a Type I nor Type II hood is required to be placed above the subject equipment in a Subway restaurant or similar establishment. The equipment shall be installed, maintained, operated, and serviced according to the manufacturer's installation instructions. The equipment shall be installed in an approved food preparation area with sufficient room ventilation to maintain acceptable working conditions.

This equipment includes product listings to UL KNLZ. The proprietary catalytic technology engineered into this equipment limits emission of grease laden air to an acceptable level below 5 mg/m³ using the EPA-202 test method prescribed for cooking appliances provided with integral air recirculating systems.

Preparation in these ovens without ventilation by a local exhaust system shall be limited to pizzas, sub sandwiches, reheating of partially baked or cooked foods, other similar items, and baking. Cooking of raw, fatty protein products (i.e., raw meat) shall only be performed in these ovens according to recommendations by the manufacturer and when properly located under an appropriate local exhaust system.

If you have any questions, please contact me at (919) 661-5880 x-255.

Sincerely,

Wanda D. Edwards, PE
Deputy Commissioner
Office of the State Fire Marshal
NC Department of Insurance

WDE/jnw

cc: Members of the NC Building Code Council

PO Box 26387 • Raleigh, NC 27611 • 919/661-5880 • Fax: 919/662-4414





Evaluation #

200424-H Revision 2

Safety & Buildings Division
 201 West Washington Avenue
 P.O. Box 2658
 Madison, WI 53701-2658

Wisconsin Building Products Evaluation

Material

Microwave Oven
 TurboChef Model NGC

Manufacturer

TurboChef Technologies, Inc.
 10500 Metric Dr., Suite 128
 Dallas, TX 75243

SCOPE OF EVALUATION

Section 507.2.2 of the **2003 and 2004 Supplement** of the **International Mechanical Code, IMC**, regarding exhaust system requirements where commercial cooking and dishwashing appliances produce grease, smoke, heat or steam have been evaluated for compliance with certain requirements of the **Wisconsin Commercial Building Code (WCBC), Chapters Comm 61-65**. Pursuant to **s. Comm 61.61** the TurboChef Models Tornado (NGC), C3/C and High H (HHB) microwave ovens are approved for use in the State of Wisconsin to satisfy the intent and the provisions of **IMC 507.2.2** as adopted by the **Wisconsin Commercial Building Code**.

This evaluation does not include the review for compliance to provisions of the current **Wisconsin Commercial Building Code** other than those specifically referenced above.

The use of the TurboChef Models Tornado (NGC), C3/C and High H (HHB) microwave ovens are subject to the description, limitations and conditions described in this evaluation.

DESCRIPTION AND USE

The current **Wisconsin Commercial Building Code** together with the 2000 edition of the **International Mechanical Code, IMC**, does not specifically address, acknowledge or prohibit the utilization of recirculating hoods and vent less steam removal systems in conjunction with commercial kitchen appliances and their operation where grease, smoke, heat or steam is produced. The revision under the **2003** edition and **2004 Supplement** of the **IMC** clarify the use of such appliances.

Section 507.2.2 of the **2003 International Mechanical Code** read as follows:

507.2.2 Type II hoods. Type II hoods shall be installed where cooking or dishwashing appliances produce heat or steam and do not produce grease or smoke, such as steamers, kettles, pasta cookers and dishwashing machines.

COMMERCE Product Evaluation No. 200424-H Revision 2

Page 2

Exception:

3. A single light-duty electric convection, bread, retherm or microwave oven designed for installation on a counter or that is enclosed on five sides in a counter, provided that such appliances do not increase the ambient temperature more than 10° F at a distance greater than 5 feet away from such appliance during operation.

LIMITATIONS OF APPROVAL

The evaluation number assigned to this approval is to accompany each plan submitted for projects that utilizes the TurboChef Models: Tornado (NGC), C3/C and High H (HHB) ovens.

Deviations from this approval shall void the use of the approval.

Pursuant to s. **Comm 61.61(7)**, the department may reexamine an approval and issue a revised approval at any time.

This approval will be valid through December 31, 2009, unless manufacturing modifications are made to the product or a re-examination is deemed necessary by the department. The product approval is applicable to projects approved under the current edition of the applicable codes. This approval may be void for project approvals made under future applicable editions. The Wisconsin Building Product Evaluation number must be provided when plans that include this product are submitted for review.

DISCLAIMER

The department is in no way endorsing or advertising this product. This approval addresses only the specified applications for the product and does not waive any code requirement not specified in this document.

Revision Date: March 22, 2006

Approval Date: September 30, 2004 By: _____
Lee E. Finley, Jr.
Product & Material Review
Integrated Services Bureau

200424-H.doc



Working Together to Promote Food Safety

DATE: June 11, 2004

TO: All Local Health Agencies
Minnesota Department of Health (MDH) EHS Sanitarians and Supervisors
Minnesota Department of Agriculture (MDA)

FROM: Colleen Paulus
Manager, MDH Environmental Health Services Section

Kevin Elfering
Director, MDA Meat, Food and Dairy Division

SUBJECT: Inter Agency Review Council Document 04-04V
TurboChef Tornado Oven Model NCG

Please distribute the attached information to sanitarians on your staff who work in the Food Program.

Attached please find IARC Guidance Document #04-04V regarding the new TurboChef Tornado Microwave/Convection Oven Model NCG that is being proposed in Subway Sandwich Shops throughout Minnesota. This document is very similar, *but not exactly the same* as IARC Document #03-01 issued April 9, 2003, which addresses the TurboChef Rapid Cook Oven Model No. C3. The emissions test for total particulate matter was much lower from the test conducted on the previous oven (0.5mg/m³ vs. 3.8 mg/m³). However, as you will note in the attached conditions for acceptance, unless there is a sufficient amount of general ventilation existing in the space, additional cooling capacity may be needed and verified by a certified testing and balancing contractor.

If you have any questions regarding the TurboChef Tornado Oven Model NCG use, you may contact the Vent Committee Chair, Lorna Girard, at 651/296-1591 or at lorna.girard@state.mn.us

If you have any questions regarding the IARC, please contact Sue Hibberd at 651/215-0866 or at sue.Hibberd@health.state.mn.us



STATE OF MICHIGAN
DEPARTMENT OF AGRICULTURE
LANSING

JENNIFER M. GRANHOLM
GOVERNOR

DAN WYANT
DIRECTOR

April 14, 2004

Mr. James Boyd, Plan Review Specialist
Kent County Health Department
Environmental Health Division
700 Fuller Avenue, N.E.
Grand Rapids, MI 49503

Re: Turbo-Chef Convection / Microwave Oven Models C3/C and NGC

Dear Mr. Boyd:

You requested an evaluation of the Turbo Chef oven model NGC, that is proposed to be installed in Subway restaurants state-wide. MDA recommends that both model NGC and C3/C may be installed and used without ventilation in any food establishment as they are UL197SB listed. These ovens contain an internal filter and vent that has been shown, under proper test conditions, to emit very little grease (pepperoni pizzas were used in testing).

Preparation in these ovens without additional ventilation should be limited to pizzas, sub sandwiches, reheating of par-baked or cooked foods, other similar items and baking. Neither MDA nor the manufacturer recommends cooking raw, fatty protein products (i.e. raw meat) in these ovens.

Michigan's mechanical code rules (R 408.30935a) specifically exempt from ventilation "listed factory-built commercial cooking recirculating systems which are tested in accordance with UL 197" and installed per listing and manufacturer's directions. However, a mechanical inspector may require ventilation if the building has inadequate general ventilation.

If you have any questions please call me at (517) 373-2779.

Sincerely,

Kevin Besey, Supervisor
Food Service Sanitation Section
Food and Dairy Division

cc: James Pool, Turbo Chef
Dave Adams, Assistant Chief, Mechanical Division, BCC, MDCIS
Michigan local Health Departments / MDA Regions



Board of Building Appeals

City of St. Louis
 Room 400, City Hall
 1200 Market Street

Saint Louis, Missouri 63103 - 2850

622-3332

June 22, 2005

TURBO CHEF
 TOM JOHNSON
 1408 NORTHLAND DR STE 407
 MENDOTA HEIGHTS MN 55120-1013

RE: Board of Building Appeal 3723
 423 LYNCH
 WARD 9

Proceedings

On June 2, 2005, the Board of Building Appeals of the City of St. Louis met, pursuant to Section 121.0 of the Building Code, to consider Appeal 3723 from the determination of the Building Commissioner relative to complying with Sections 507.1 and 507.2 of the Mechanical Code for the premises at 423 Lynch.

Dave Thomas Johnson appeared in favor of this appeal.

James Kelly Poole appeared in favor of this appeal.

Mechanical Inspection Supervisor Jerry Corbin and Lead Mechanical Inspector Gene Miller represented the Building Commissioner.

The following items were presented to the Board and entered as evidence:

- a.) A violation letter dated 04-26-05
- b.) Appellant's appeal form
- c.) Certified copy of the Building Code, Ordinance 64771, and a certified copy of the Mechanical Code, Ordinance 65021

Findings of Fact

1.) Mr. Kelly Poole and Mr. Thomas Johnson appeared and stated they are requesting a variance from installing a Type II hood over a Turbo Chef microwave/convection oven, which would be installed according to manufacturers instructions, at Anheuser Busch and to allow the HVAC system installed to compensate for any sensible heat emissions from the equipment.

2.) They stated there are new provisions to model building codes which excludes some cooking processes as not requiring hoods, and that the Turbo Chef with its patented catalyst grease filtration system fits this category.

3.) The Turbo Chef equipment was tested under UL supervision using the UL KNLZ and UL 197 guidelines from UL and found to produce less than 5 mg/m³ particulate matter concentration for a hood flow rate of 200 cfm.

423 Lynch
 Appeal 3723
 Page 2

4.) This grease concentration is below any that would pose a fire hazard and therefore would not require a hood to capture and exhaust the grease.

5.) This equipment is also portable and does not fall into the category of permanent commercial heat processing appliances. New provisions being adapted by some model codes recognize that per each 100 s.f. of kitchen floor area, a Type II hood is not required for a single light-duty electric convection, bread, retherm or microwave oven provided it is less than 3 feet in outside dimensions. The Turbo Chef appliances fits into this category.

6.) The appliance does not emit effluent emissions above the threshold within EPA 202.

7.) Mr. Jerry Corbin and Mr. Gene Miller appeared and stated they were following the building code adopted by City and under those present provisions a Type II hood is required.


Conclusion of Law

The Board concludes that new provisions to model building codes are being incorporated to provide exceptions to installing Type II hoods over microwave/convection ovens which limit grease emissions to levels below a threshold that would present a fire hazard. Those provisions are not adopted by the City. The Board also concludes that the Turbo Chef appliances meets the requirements and has proven so with the UL rating for the equipment. Use of this appliance without a Type II hood does not present a fire safety hazard. Therefore, the Board grants the appeal as stated below.

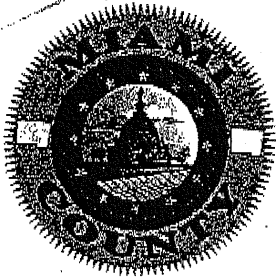
Decision

It is the decision of the Board of Building Appeals that this appeal be granted.

By Order of the Board of Building Appeals,


 Lynn Wentz
 Secretary

CC: Building Commissioner
 Randy Mourning
 NSO
 Don Hubeli
 Frank Oswald
 Fire Marshal
 Court Section
 Central File
 Lenita Moore, SLDC
 Alan Schmidt



MIAMI COUNTY BUILDING REGULATIONS

510 W. Water Street, Suite 120 Troy, Ohio 45373
Phone (937) 440-8075 • 440-8066

ADDENDUM 2 TO PARTIAL PLAN APPROVAL

DATE: 12/30/05
PROJECT: TENANT BUILD OUT - W.G. GRINDERS
ADDRESS: 1260 EAST ASH ST.
PIQUA, OH 45356
PERMIT # 3014
APPROVAL DATE: 12/30/05

This PARTIAL PLAN APPROVAL is limited to the following:

ALL WORK EXCEPT SPRINKLER REVISIONS.

This is a PARTIAL PLAN APPROVAL in accordance with the provisions of Section 106.3.3 of the Ohio Building Code. The various stages of construction shall proceed in their normal sequence.

This addendum shall be attached to the Certificate of Plan Approval and shall become part of the approved plans. All items listed below will be performed and incorporated into the structure.

This PARTIAL PLAN APPROVAL is contingent upon the following:

1. The proposed project plans are sealed by: PETER MACRAE - ARCHT #9040, HVAC, PLUMBING, ELECTRICAL - JOHN SANDERS - P.E. #58219 to comply with Sections 106.3.4.1 and 105 OBC.
2. Construction Documents at project site:
An approved set of Construction Documents shall be kept at the site of the work and shall be available for reference by the building official or the building officials designated representative at all times during working hours while such work is in progress; Section 106.3.1 OBC.
3. The Board of Appeals Variance, Case #05-453, dated September 20, 2005 is a part of the permit Approval, (Building Permit #2835).
4. Install Fire Extinguishers per Section 906 (maximum travel distance = 75') Verify size and location with the local fire authority.
5. The letters from Thomas Johnson, President JDP, Inc. and the accompanying UL710 test data indicates that the Turbochef microwave / convection oven HHB complies with 2005 OMC Sections 507.2.1 exception 1 and 507.2.2 exception 3, when used and installed in accordance with the manufacturer's listing and instructions. Therefore a type I hood and fire suppression and a type II hood are not required. No cooking of raw fatty animal proteins is permitted. No other cooking appliances are permitted. The dishwasher equipment and installation shall comply with Section 507.2.2 exception 1 or 2 or a type II hood is required for heat and vapor removal. The HVAC system shall be designed for the additional heat and moisture loads generated by such appliances.

Page 2

The holder of a **PARTIAL PLAN APPROVAL** may proceed only to the point for which approval has been given, at his own risk and without assurance that approval for the entire building will be granted.

The citation of certain items in this document does not exempt the owner from the obligation to comply with all portions of the Ohio Revised Code, the OBC, local requirements or any other applicable Code. The Building Department reserves the right to cite additional requirements of the OBC upon further review or inspection of the project. You have the right to appeal listed interpretations or decisions in accordance with Section 3781.19 of the Ohio Revised Code. Contact this department for further information.

Plans Reviewed by: DAVID J. DURBIN/DJD ENG.

Chief Building Official:

Robert D. Bauman

**BOARD OF
BUILDING AND SAFETY
COMMISSIONERS**

MARSHAL L. BROWN
PRESIDENT

VAN AMBATELOS
VICE-PRESIDENT

VICTOR H. CUEVAS

HELENA JUBANY

ELENORE A. WILLIAMS

CITY OF LOS ANGELES

CALIFORNIA



ANTONIO R. VILLARAIGOSA
MAYOR

**DEPARTMENT OF
BUILDING AND SAFETY**
201 NORTH FIGUEROA STREET
LOS ANGELES, CA 90012

ROBERT R. "BUD" OVRUM
GENERAL MANAGER

RAYMOND S. CHAN, C.E., S.E.
EXECUTIVE OFFICER

James K Pool III
TurboChef Technologies
4240 International Parkway
Carrollton, TX 75034
Telephone: 214-379-6020

Models:

File Number: M-100012

Effective Date: 04/01/2011

Expiration Date: 04/01/2012

Manufacturer: SAME

Item: WARMING OVEN

NGC*, NGO (*new model added).

PLEASE REFER TO THE APPLICATION NUMBER ON ALL CORRESPONDENCE, PHONE CALLS & SAMPLES

The item processed under the above file number has been tested, examined and found to comply with applicable Los Angeles Plumbing Code (LAPC) and/or Los Angeles Mechanical Code (LAMC) and is hereby approved unless revoked for cause.

This letter or the letterhead copy may not be reproduced for use in labeling or advertising, but copies of this letter may be used within your organization and shown as evidence of approval.

CONDITIONS OF APPROVAL:

- 1. This product shall be used to warm pre-cooked hot food items only. Any other type of cooking shall not be allowed.**
- 2. Installation of this product is not required to have an exhaust system per Sections 95.507.1.1 and 95.507.1.2 of LAMC, 2011 Edition.**
- 3. This product shall be installed, operated, and maintained in accordance with printed instructions from the manufacturer and LAMC, 2011 Edition.**

Each item shall have the name or trademark of manufacturer and model number where it will be visible for inspection.

In order to renew this approval, an application and reexamination fee must be submitted on or before the expiration date shown above. Arrangement shall be made to remove any test samples remaining in the Laboratory. Samples remaining after 21 days from the date of this notice will be shipped collect by the most convenient carrier or disposed of in accordance with applicable regulation.

Jason T Tran
Mechanical Testing Laboratory, Test Engineer

Plumbing / Mechanical Inspection
Inspection Bureau



COUNTY OF LOS ANGELES
Public Health

JONATHAN E. FIELDING, M.D., M.P.H.
Director and Health Officer

JONATHAN E. FREEDMAN
Chief Deputy Director

ANGELO BELLOMO, R.E.H.S., Director
Environmental Health

VERONICA BAUCHMAN, R.E.H.S.
Acting Director, Bureau of District Surveillance and Enforcement

PLAN CHECK PROGRAM
5050 Commerce Drive
Baldwin Park, California 91706
TEL (626) 430-5560 · FAX (626) 813-1444

www.publichealth.lacounty.gov/eh/



BOARD OF SUPERVISORS

Gloria Molina
First District

Mark Ridley-Thomas
Second District

Zev Yaroslavsky
Third District

Don Knabe
Fourth District

Michael D. Antonovich
Fifth District



May 31, 2011

James K. Pool III
Senior Vice President, Engineering
TurboChef Technologies, Inc.
4240 International Parkway, Suite 101
Carrollton, Texas 75007

PLAN CHECK NUMBER: ME-2010-009

Ventilation Exemption Plan Check No.	ME-2010-009
Application Type:	Equipment specific
Effective Date:	5/31/2011
Expiration Date:	6/1/2016
Telephone:	(214) 379-6020
Email:	James.Pool@turbochef.com

RE: Exemption from mechanical exhaust ventilation for TurboChef Technologies, Inc. Model Tornado (NGC) and Tornado 2 (NGCD6) ovens

Dear Mr. Pool:

The County of Los Angeles Department of Public Health, Environmental Health, Plan Check has completed a review of the TurboChef Technologies, Inc. Model: Tornado (NGC) and Tornado 2 (NGCD6) ovens for exemption from the mechanical exhaust ventilation requirements of Section 114149.1(a) of the California Retail Food Code.

You have provided documentation that these ovens have Underwriter's Laboratory KNLZ approval, and also provided the results of the eight-hour cooking emissions test conducted on the Tornado (NGC) oven. The test results indicate that the particulate matter concentration produced was 1.153 mg/m³, which is below the limit of 5 mg/ m³ to be considered a low grease emission appliance.

TurboChef Oven
May 31, 2011
Page 2 of 3

Therefore, additional mechanical ventilation in the form of a Type I or Type II hood is not required by the County of Los Angeles Department of Public Health, provided the following contingencies are met:

1. There shall be no more than two unventilated model Tornado (NGC) or Tornado 2 (NGCD6) oven per food facility.
2. No other heat producing food related equipment requiring ventilation shall be permitted in a food facility without the addition of mechanical ventilation.
3. The equipment must be installed, serviced, and maintained according to the manufacturer's specifications.
4. Any modification, alteration, or removal of the equipment, including any component of the integral air filtration system voids both the ANSI certification of the equipment and this limited exemption. All air filtration components must be installed and operational at all times the appliance is in use.
5. The Tornado or Tornado 2 ovens shall be used for the cooking or warming of pizza, bread, bakery products, or similar items only. No raw animal protein products shall be cooked in the equipment unless mechanical ventilation is provided.
6. No items that generate grease-laden vapors shall be prepared or cooked in the unventilated Tornado or Tornado 2 oven.
7. The Tornado or Tornado 2 oven must be operated in a well-ventilated area approved for food preparation.
8. If the ownership changes at a food facility that is operating the exempt equipment, then the new owner/ operator will be informed of the operating conditions.
9. This exemption from mechanical exhaust ventilation shall not be deemed to supersede any local building and fire code requirements pertaining to electrical and fire safety.

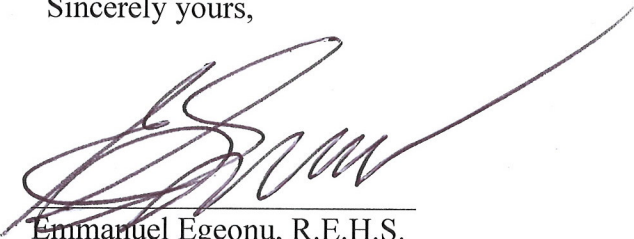
TurboChef Oven
May 31, 2011
Page 3 of 3

This exemption shall be in effect for a period of five years from the date of this letter, or until revoked. However, this exemption shall not preclude this Department from requiring the installation of mechanical exhaust ventilation when operation of the Tornado or Tornado 2 oven at a specific location results in a sanitation or safety violation. These problems may include, but are not limited to, problems of installation, use, maintenance, cleaning or other site specific considerations which exceed the above limitations or pose a discernable health or safety hazard.

This letter may be used as evidence of the evaluation of the TurboChef Model Tornado (NGC) or Tornado 2 (NGCD6) rapid cooking ovens. However, it is not to be construed as an endorsement of the subject items and may not be used for advertising or promotional purposes.

Should you have any questions or need additional information, please contact me at (626) 430-5560.

Sincerely yours,



Emmanuel Egeonu, R.E.H.S.
Chief EHS
Plan Check Program



Denise Noborio, R.E.H.S.
Environmental Health Specialist IV
Plan Check Program

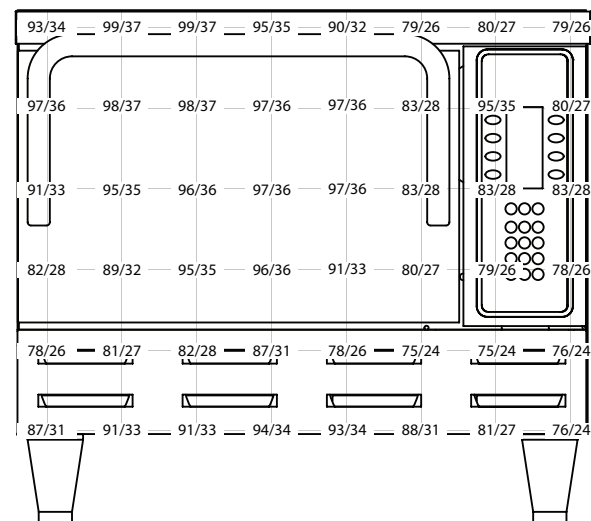
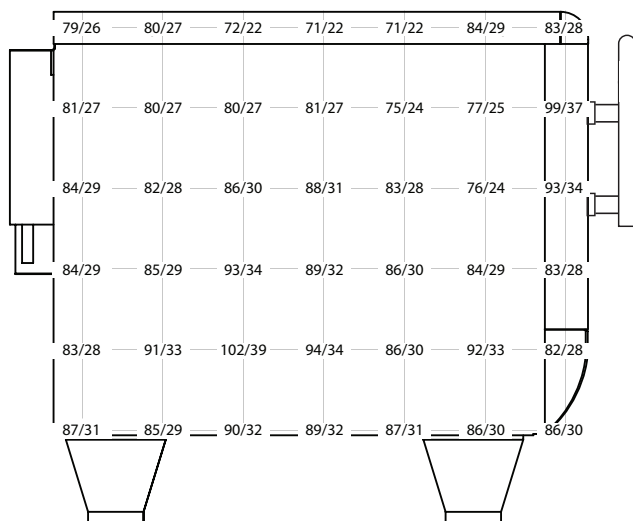
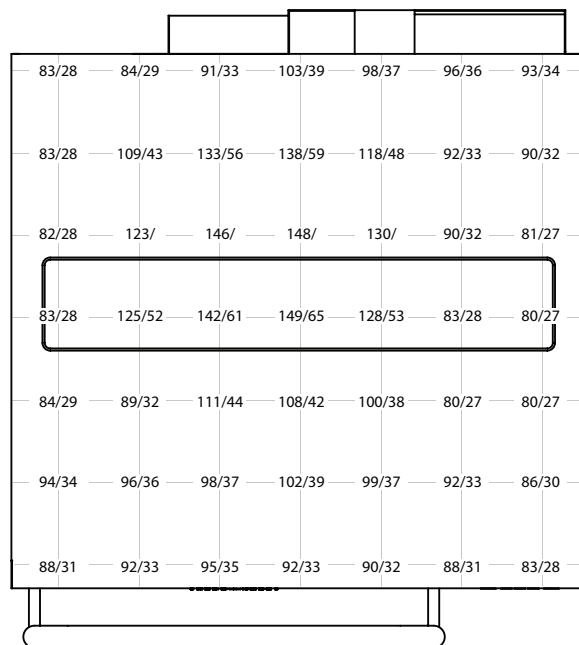
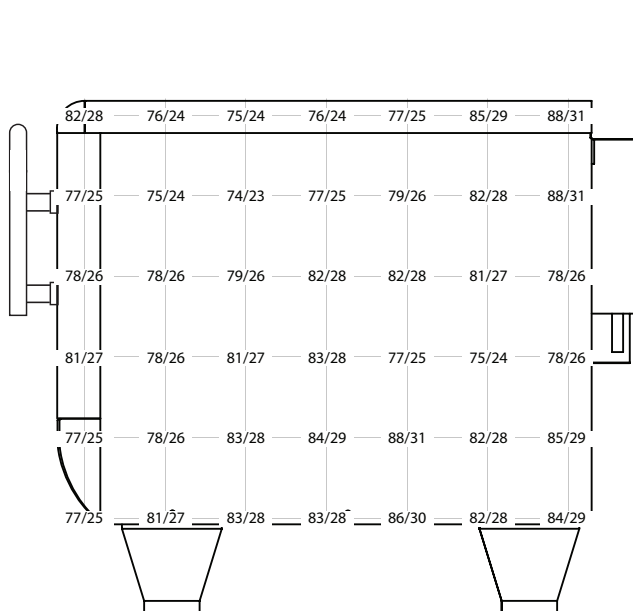


PLAN CHECK NUMBER: MB-2010-009

Tornado 2 Oven Surface Temperatures

This document illustrates the surface temperature testing data reported for the TurboChef model Tornado 2 oven. Measurements were recorded after four hours of idle and after two hours of subsequent cooking. The oven temperature was set to 520°F (271°C) for the duration of the test.

After 4-Hour Idle at 520°F/271°C (Values in °F/°C)



After 4-Hour Idle and 2 Hours of Cooking at 520°F/271°C (Values in °F/°C)

