



bellódigital[®]

Engineered to exceed your expectations

Sound Shelf



1-888-235-7646

www.bello-digital.com

www.tsicustomerservice.com

Twin-Star International, Inc. Delray Beach, FL 33445

Made in China • Printed in China • Fabricado en China • Impreso en China • Fabriqué en Chine • Imprimé en Chine

Precautions

If at any time you are unclear about the directions and believe you need further assistance, contact customer service at: 1-888-235-7646 (US/Canada) from 9am – 5pm EST, Monday through Friday.

NEVER EXCEED THE MAXIMUM LOAD CAPACITY OF: 80 lbs (36.3kg) WHEN INSTALLED INTO 2 OR MORE STUDS, CONCRETE OR CONCRETE BLOCK WALLS.

Wood studs should be 2” x 4”, at minimum: 1.5” x 3.5” (38mm x 89mm). Designed to be mounted to 2” x 4” wood studs that are spaced 16” on center.

This speaker shelf was designed to be installed and utilized **ONLY** as specified in this manual. Twin-Star International. will not be responsible for failure to assemble as directed or for the improper assembly, use, or incorrect assembly.

If the mounting bracket will be attached to any structure other than specified in this manual, only a licensed professional contractor/installer should perform this installation. The supporting structure must support, at minimum, four times the combined weight of the mounting bracket and TV. It is the responsibility and liability of the installer to ensure the suitability of the supporting structure.

Check carefully to ensure that there are no missing or damaged parts. Never use defective parts. To receive replacement or missing part(s) under this Warranty, visit our website at www.bello-digital.com or call our Customer Service Department at 1-888-235-7646. Please have the model number, date code, part number(s) and your sales receipt or other proof of purchase available for reference. We will ship you any necessary replacement parts in the Continental United States or Canada.

Specifications are subject to change without notice.

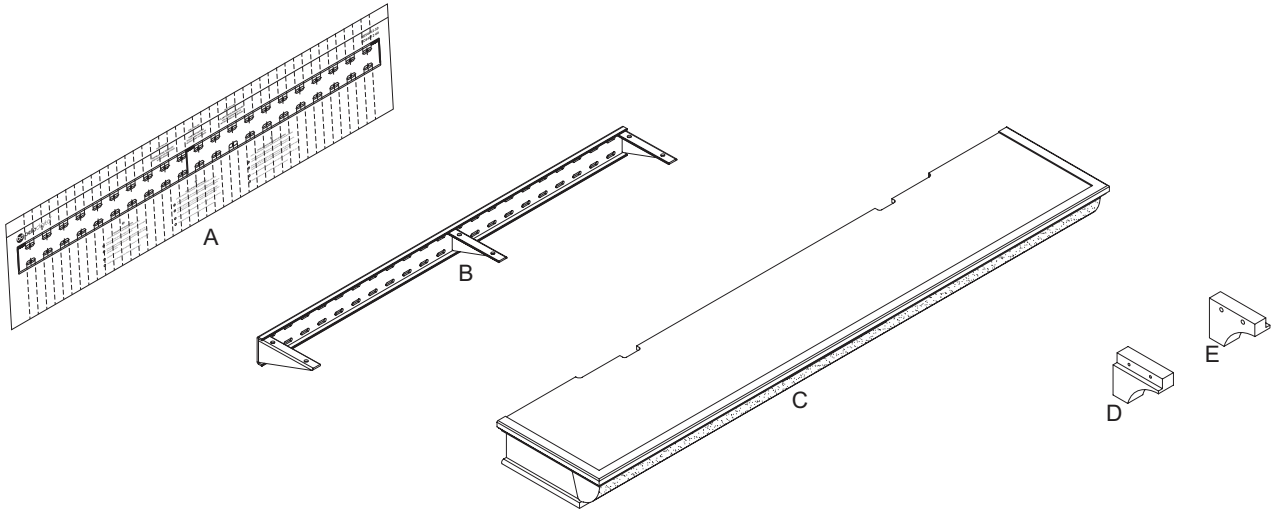
Furniture Guideline

It is best to keep your furniture in a climate-controlled environment. Temperature and humidity changes can cause fading, warping, shrinking and splitting of wood. It is advised to keep furniture away from direct sunlight as sun may damage the finish. Proper care and cleaning at home will extend the life of your purchase. Following these important and helpful tips will enhance your furniture as it ages.

A touch-up pen has been provided to repair any small nicks or scratches that may occur during assembly or shipping.

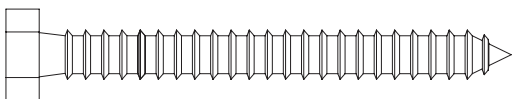
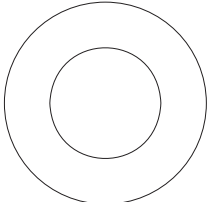
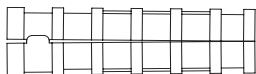
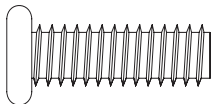
We hope you enjoy your purchase for many years. Thank you for your purchase!

Packing Content

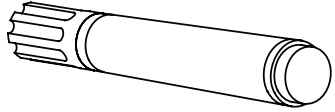
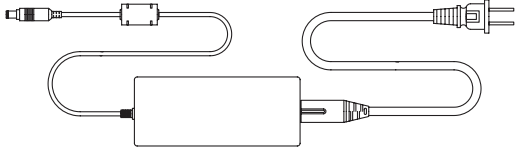

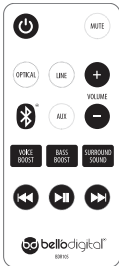


Part	Description	Qty
A	Installation Template	1
B	Wall Bracket	1
C	Sound Shelf	1
D	Left Corbel	1
E	Right Corbel	1

Hardware Kit

Part	Description	Quantity	Picture
AA	Lag Bolt 3 in. x 2.68in. 7.6 cm x 6.8 cm	6	
BB	Washer outer dia. 1.9 cm (0.75in.) inner dia. 0.85 cm (0.33in.)	4	
CC	Anchor 0.48 in. x 1.75 in. 1.23 cm x 4.45 cm	6	
DD	Bolt 0.25 in. x 1.1 in. 0.63 cm x 2.8 cm	4	

Hardware Kit

Part	Description	Quantity	Picture
FF	Tench-Up Pen	1	
GG	Transformer	1	
HH	RCA	1	
II	Remote Control	1	

Necessary Tools



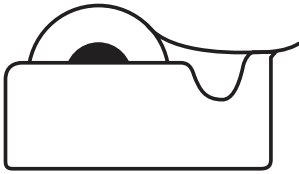
Phillips-head
Screwdriver



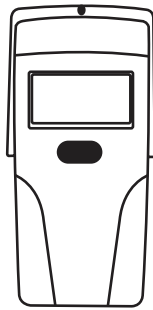
1/2" Drill Bit
Wood: 13/50"(6.5mm)
Masonry: 1/2"(12.7mm)



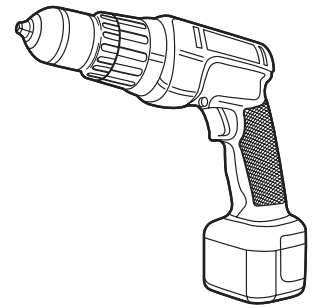
Pencil



Masking Tape



Stud Finder



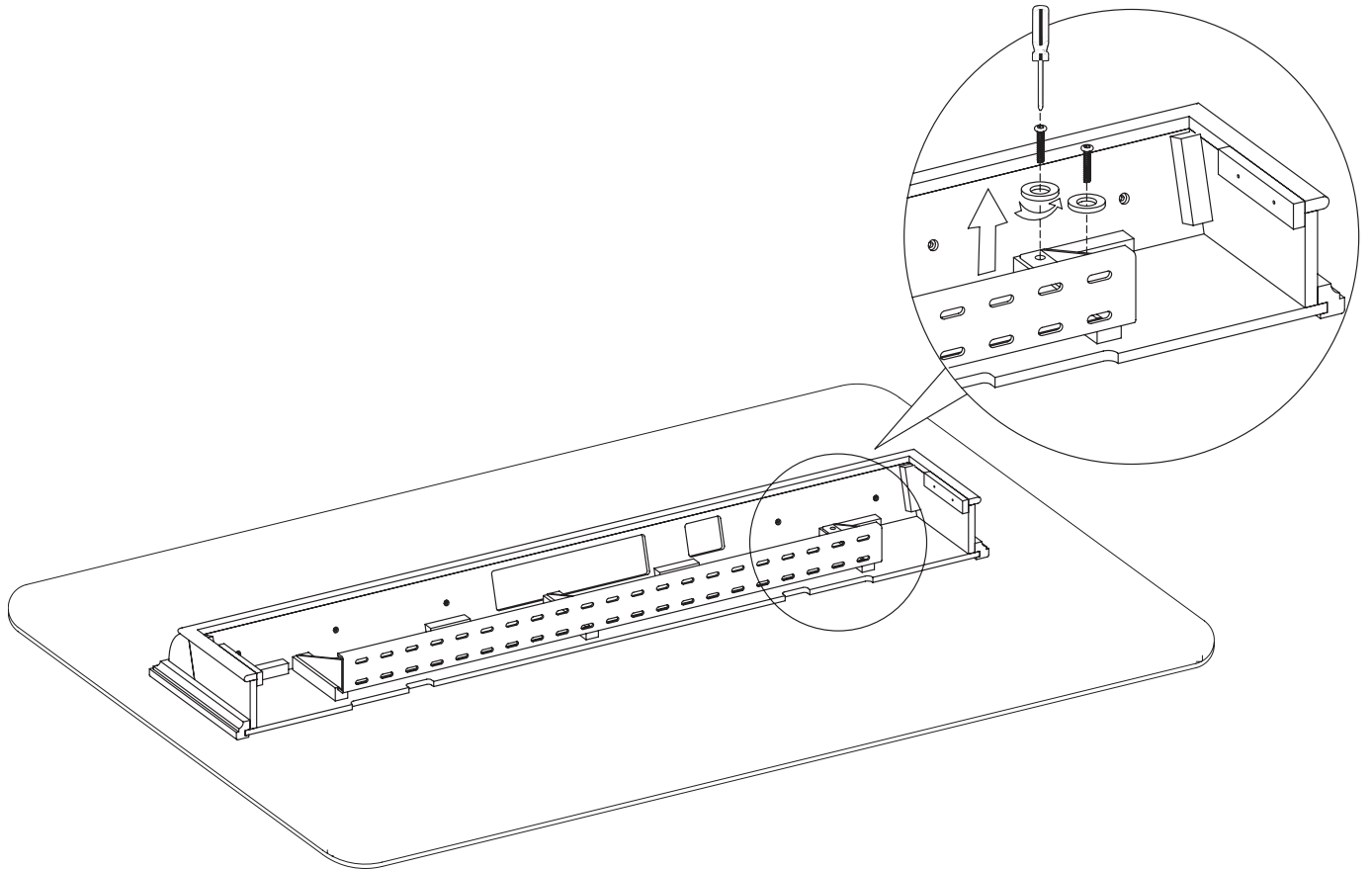
Drill



Level

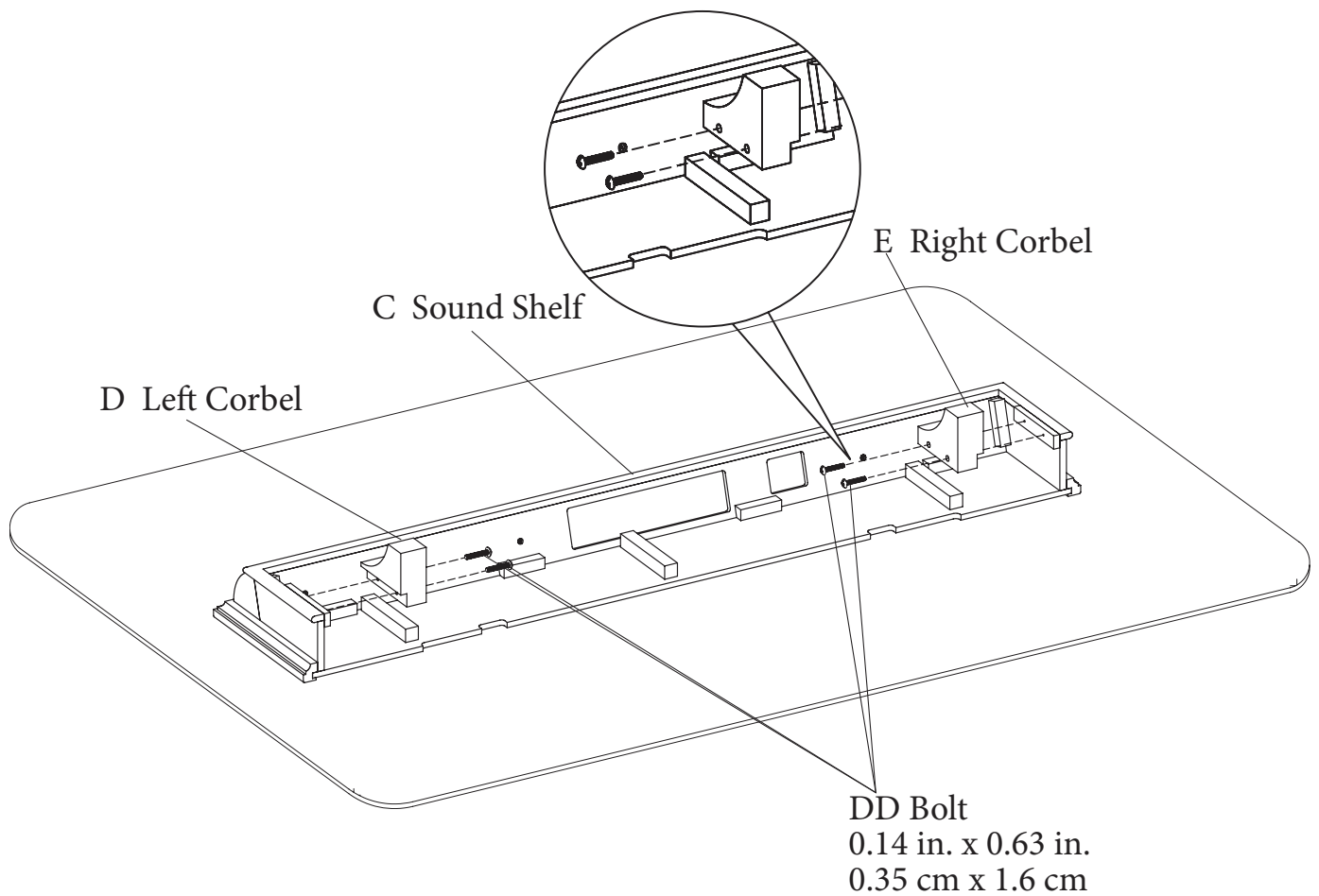
Remove the wall plate

- Carefully place the shelf upside down on a soft surface so the wood is not damaged. loosen the bolt EE on the wall plate and remove the wall plate B from the speaker shelf C.
- Keep the bolts and washers for reinstalling the sound shelf to the wall bracket after the wall bracket has been installed on the wall.(see page 10)



Attaching The Corbel

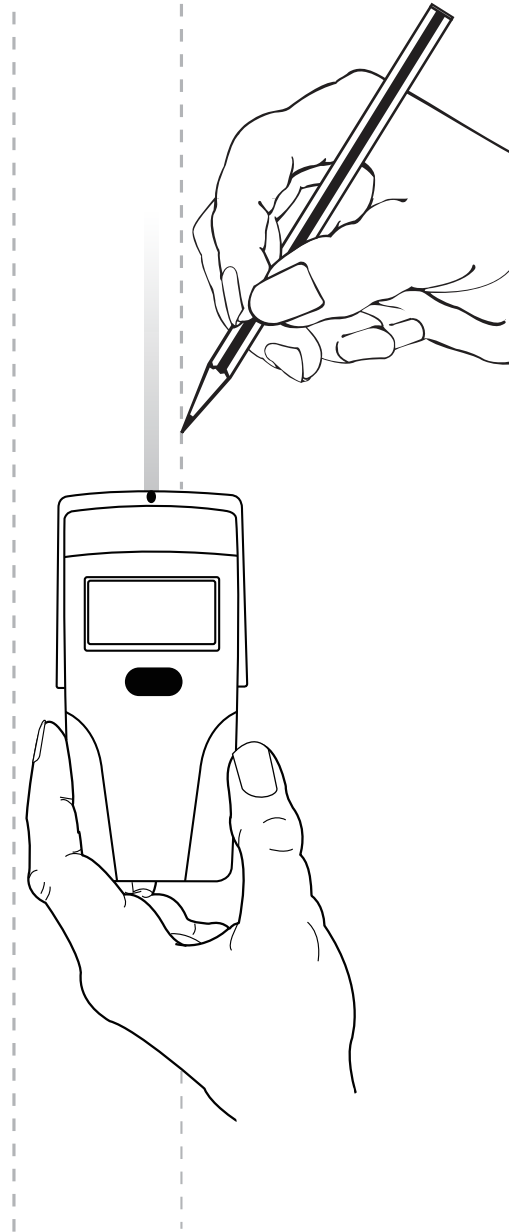
- Attach Left Corbel D and right Corbel E to the back of Sound Shelf C as shown. Carefully screw the corbels in as shown using screws DD.



Installing The Sound Shelf Bracket In Wood

- **FIND THE WOOD STUD:**

Using a stud finder, find the exact location of the studs to which you want to attach the wall mount. Mark the right and left side to determine the center of each stud.



***FOR WOOD STUD WALLS INSTALLATIONS, SEE PAGE 8.
FOR MASONRY INSTALLATIONS, SEE PAGE 11.***

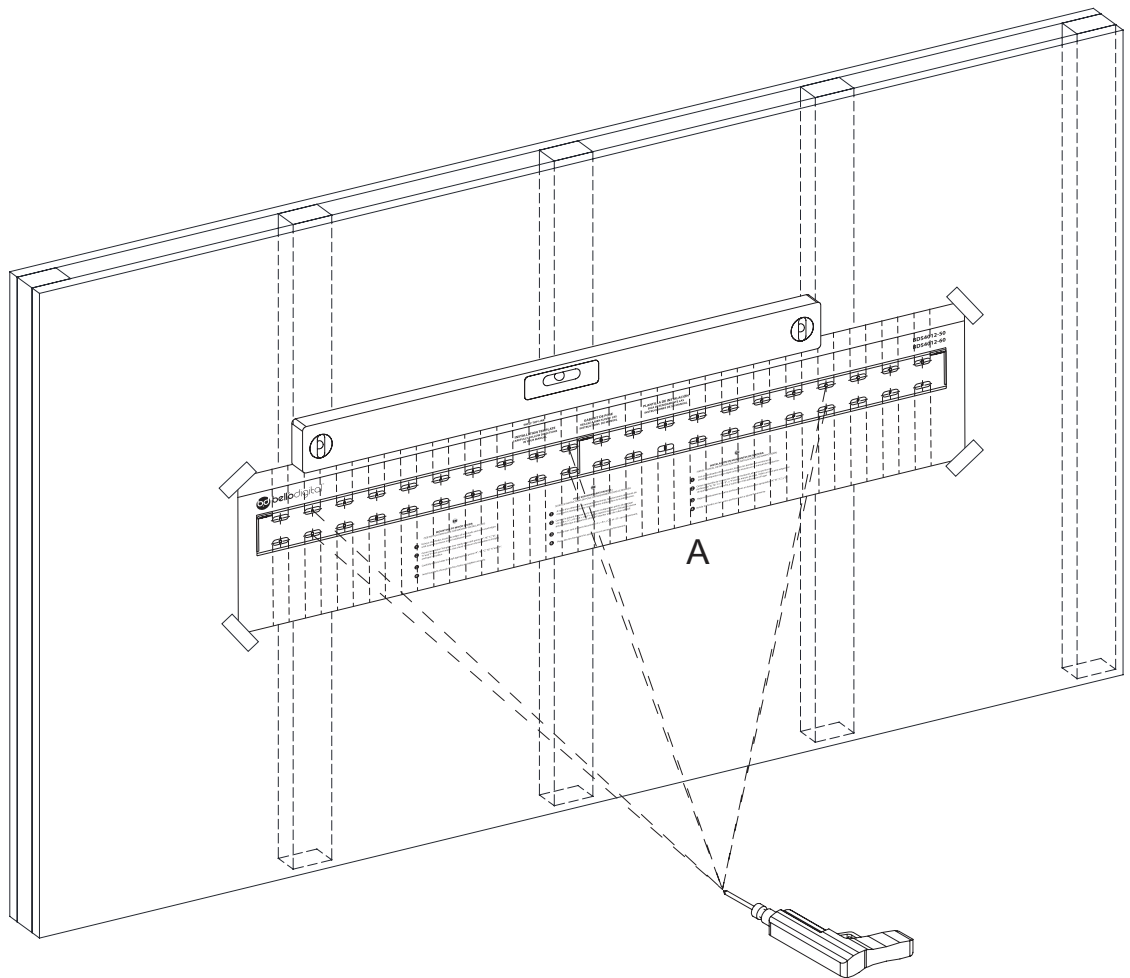
Installing The Sound Shelf Bracket In Wood

- DETERMINE INSTALLATION LOCATION:

Use the Installation Template in order to determine the location on the wall that you want to install the shelf.

Carefully drill six holes through appropriate points “A”, “B”, “C”, “D”, “E” and “F” in the installation template.

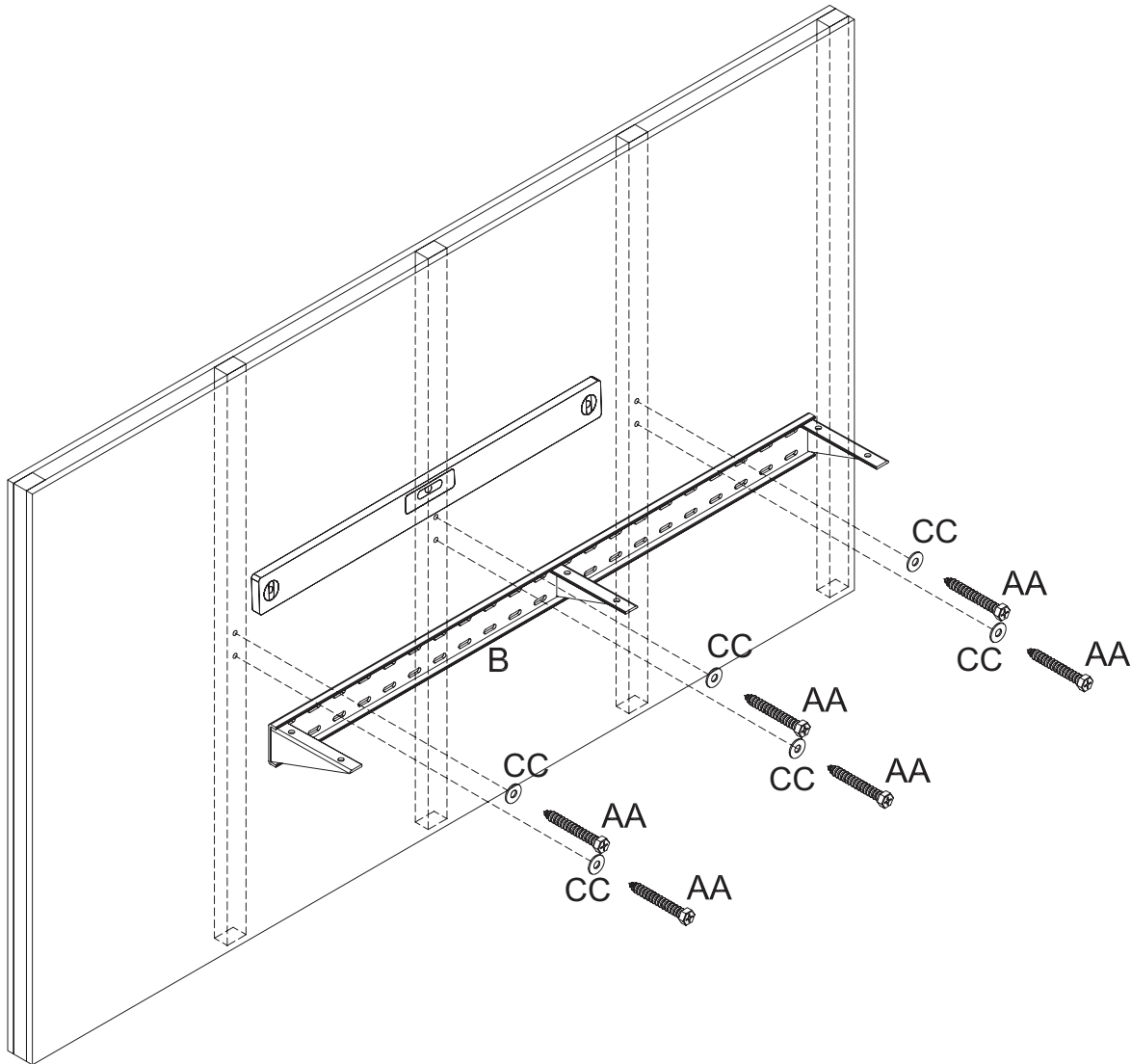
Mount into 3 studs as shown below. If the bracket will not line up with 3 studs, center the bracket on 2 studs.



Installing The Sound Shelf Bracket on Wall

- **Install The Wall Bracket:**

After you have prepared the holes for mounting the Wall Bracket B, place the Wall Bracket B over the holes and screw in the Lag Bolts AA and washer CC about half way. Use a level to make sure the Wall Bracket B is level and make any necessary adjustments. Once straight, tighten all of the Lag Bolts completely (do not over tighten!).

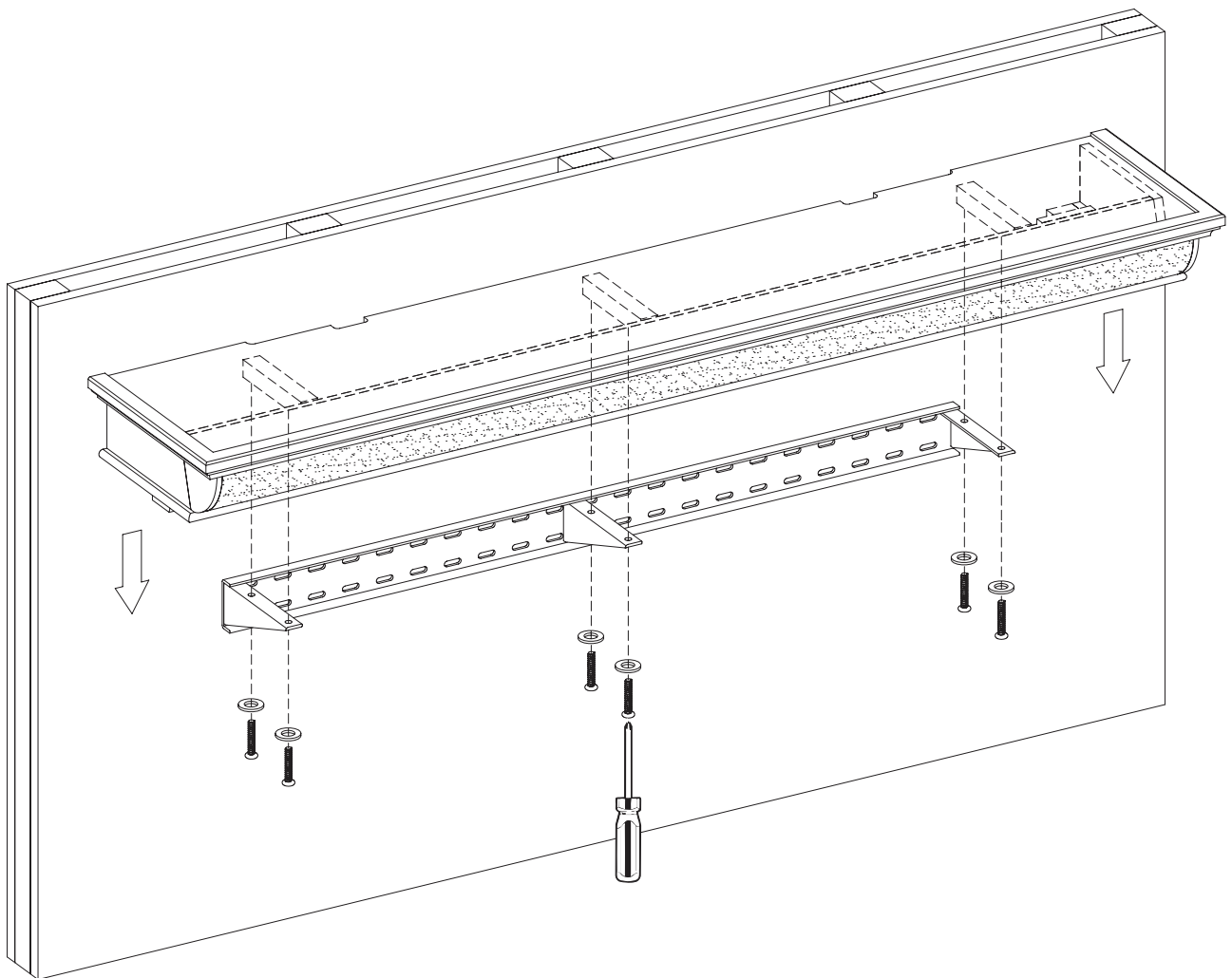


Installing The Sound Shelf Onto The Wall Bracket

- **Mount the Sound Shelf:**

With the help of an assistant, lift the shelf onto the Wall Bracket as shown.

Have an assistant hold the shelf in place while you use the 6 bolts and washers that have been loosen from the wall bracket from step on page 5, to secure the sound shelf to the wall bracket. After installation apply some light pressure to the shelf to insure it is stable and properly installed.



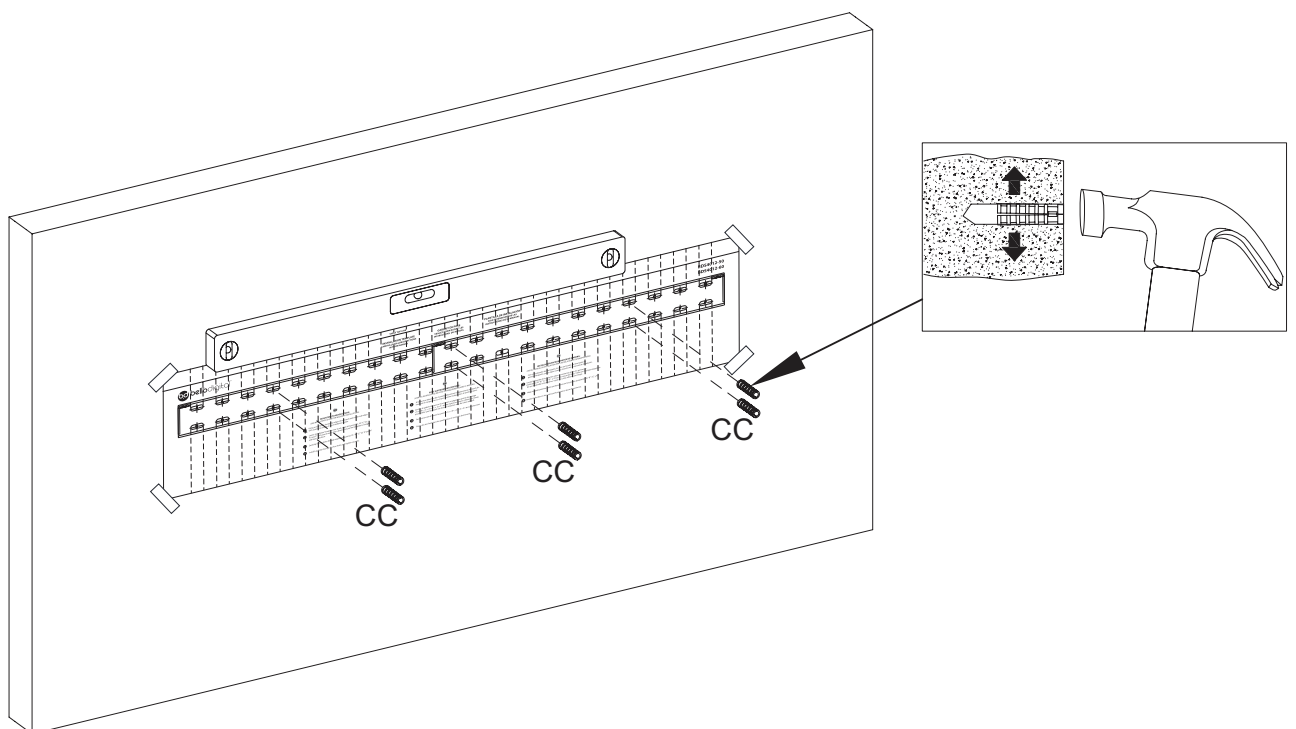
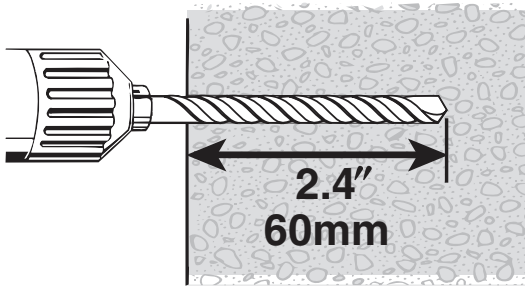
Installing The Sound Shelf Bracket In Masonry

- **DRILL PILOT HOLES**

After you have determined your desired Sound Shelf location, Line up the Installation Template to ensure you will not drill into any mortar joints. Tape the Installation Template in place securely on the wall with masking tape. Use a Level. Carefully drill six holes using a 13/50" (or 6.5 mm) masonry drill bit. Each hole should be at least 2.4" (60mm) deep. **DO NOT DRILL INTO MORTAR JOINTS! DRILL HOLES AT LEAST 1" (25.4 MM) FROM THE JOINTS. USE A NEW DRILL BIT TO ENSURE OPTIMUM HOLDING ABILITY. DO NOT USE A HAMMER DRILL!**

- **Insert the anchors CC:**

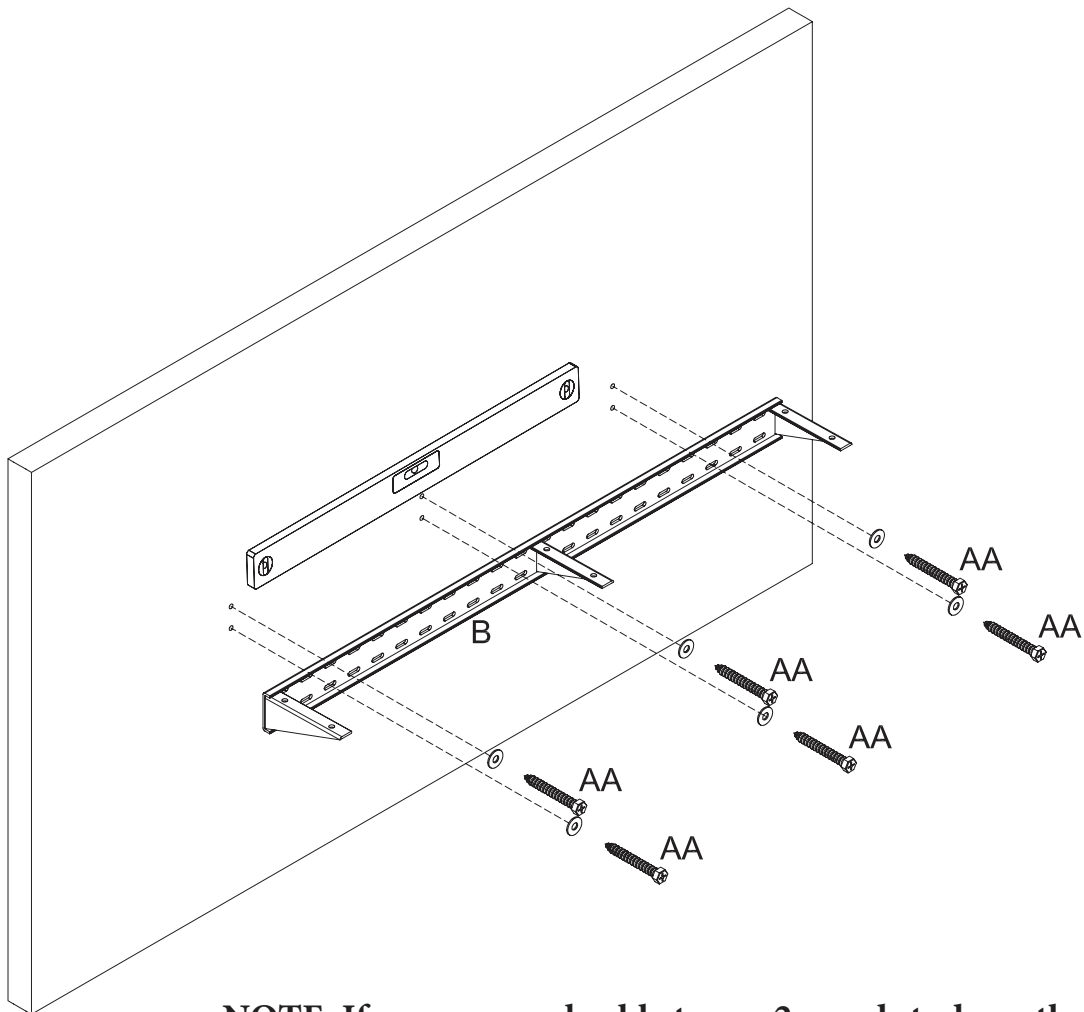
Hammer the anchors CC into the pre-drilled holes on the wall until they are flush with the wall.



Installing The Wall Bracket To The Wall

- **Install The Wall Bracket:**

After you have prepared the holes with anchors for mounting the Wall Bracket B, place the Wall Bracket B over the holes and screw in the Lag Bolts AA and washer CC about half way. Use a level to make sure the Wall Bracket B is level and make any necessary adjustments. Once straight, tighten all of the Lag Bolts completely (do not over tighten!).



NOTE: If you were only able to use 2 wood studs on the dry wall, it is important to center the Wall Bracket on these 2 studs to evenly support the weight.

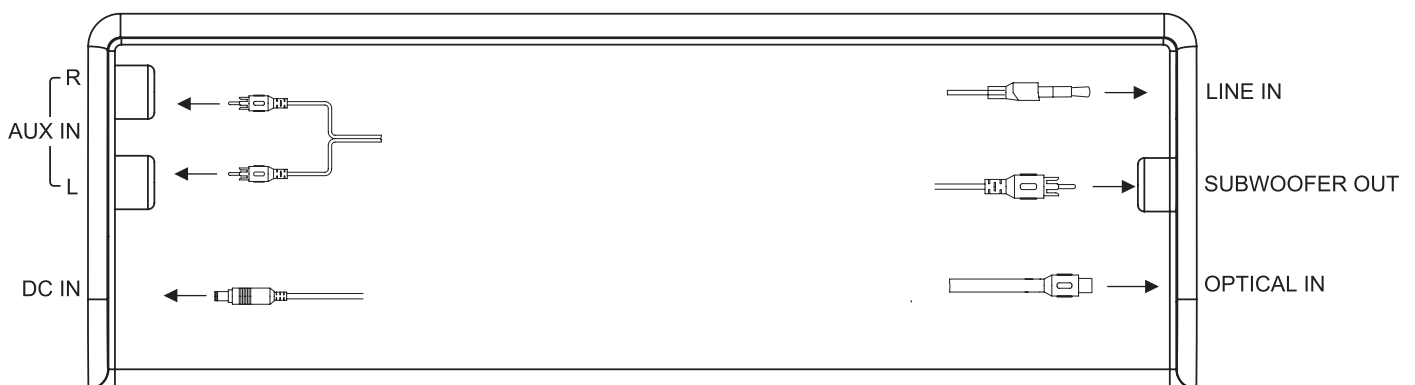
Operation Instruction

Product Specifications

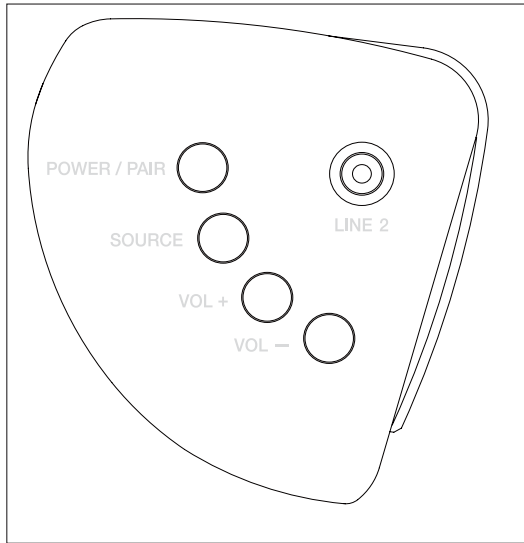
Adapter Input	AC100-240V, 50/60Hz
Adapter Output	DC16V/ 3.0A
Power Consumption	40 Watts
Standby Power Consumption	< 1 W
Peak Music Power Output	200 W

Wiring

1. AUX IN R/L - RCA plug AUX IN for connecting to an audio source
2. DC IN - Connect the power supply
3. LINE IN (Line 1) - 3.5mm input for connection to an audio source
4. SUBWOOFER OUT - Subwoofer output for connecting to a subwoofer
5. OPTICAL IN - Input the console using Optical cable
6. DONGLE CONNECTOR - Connect for optional Bell'O Digital wireless subwoofer
7. Bell'o Digital Wireless subwoofer connection (USB) port:
Will power and support transmit bass from optional Bell'O Digital wireless RF USB Dongle to Bello digital Wireless RF Subwoofer.



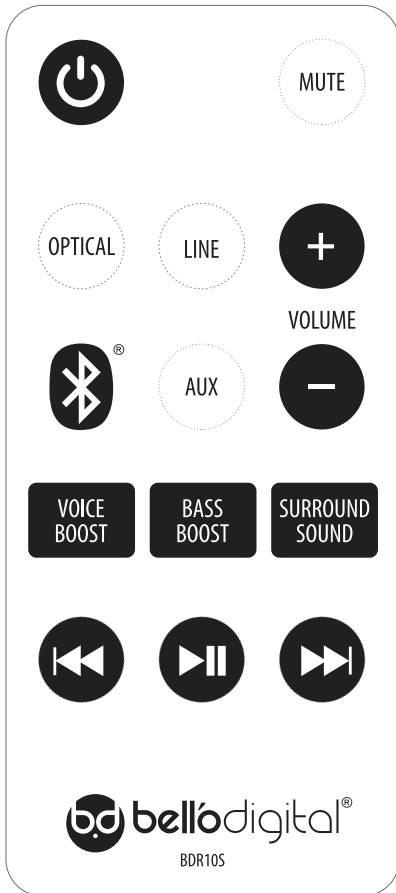
Operation Instruction



Control Panel

1. POWER Button - Turns the Sound Shelf on or off
2. SOURCE Button - To scroll through the different input options:
 BLUE – Bluetooth
 L 1 - 3.5mm Input 1
 L 2 - 3.5mm Input 2
 AU - AUX Input
 OP - Optical Input
3. VOL + Button - volume increase
4. VOL - Button - volume decrease

LED Display	Function
	- Power / Standby
	Light Flash - Mute
	OP - Optical in
	L1/L2 - Line in (Press to select Line 1 or Line 2)
	Blue - Bluetooth (Hold down to pair for 3 seconds)
	AU - AUX Input
	00-30 - Volume Increase
	00-30 - Volume Decrease
	ON/OFF - Voice Boost (Enhances dialog in noisy environments)
	ON/OFF - Bass Boost (Enhances the bass sound)
	ON/OFF - Surround Sound (Digital surround sound effect on/off)
	b - Back (Previous) Works with Bluetooth devices only.
	PL11 - Play/Pause Note: A short delay in response is normal.
	F - Forward (Next)



Remote Control

Operation Instruction Continued

Select an input: Use the SOURCE Button on the control panel to scroll through the inputs, or select the input on the remote control.

Bluetooth Pairing Process:

1) Make sure your wireless device is ready for pairing. If you are unsure how to do this, check the manual that came with your device.

2) To start the pairing process:

Control Panel: Press the POWER button until the BLUE starts to flash.

or

Remote: Press the BLUETOOTH button until BLUE starts to flash.

Pairing: Select BDS4012-50/ BDS4012-60 on your device. The BLUE will stop flashing when it is paired.

NOTE: Only 1 device can play through the sound shelf at a time. Please disconnect the other device if you cannot connect.

DISPLAY MESSAGES

BLUE - Bluetooth mode

L 1 - This is for the device connected to the 3.5mm line in input on the back of the speaker.

L 2 - This is for the device connected to the 3.5mm line in input on the control panel.

AU - This is for the device connected to the RCA Stereo line in input on the back of the speaker.

OP - This is for the device connected to the Optical in input on the back of the speaker.

Operation Instruction Continued

Learning Function

The learning function allows your Sound Shelf to be controlled by your TV remote control (Note: Remote must send infrared signals). Any unused button on your TV remote control can be used to control the Sound Shelf. For example, when you connect your TV to the Sound Shelf using the RCA Stereo cables or Digital Fiber Optic Cable the TV volume and mute will no longer be controlled by the remote that came with it. Some TV remotes also come with extra buttons. These buttons can also be used for any of the learning options below.

Some of the programmable functions need to be selected from the remote control as noted below.

To start the learning function:

- Press **POWER** and **VOL +** together for 3 seconds to learn mode. **SEL** starts flashing.
- **Select the function to learn** on the control panel or remote.
 - o The function (below) will flash. **Point your TV remote** at the flashing LED on the sound shelf and hold down the button you want it learn from.
 - o When learning is complete the function goes solid for 3 seconds (stops flashing) and simultaneously beeps 2 times. **SEL** will now start flashing.

You can now select the next function to learn or end the process by pressing the **POWER** button and **VOL+** for 3 seconds.

VOL	Volume up [control panel or remote control]
VOL-	Volume down [control panel or remote control]
-O-	Mute [control panel or remote control]
ON	Power [control panel or remote control]
SOUr	Source [control panel]
Ln In	Line In [remote control]
OPtI	Optical [remote control]
BLUE	Bluetooth [remote control]
AU	Aux [remote control]
BAC	Track Back [remote control]
FOr	Track Forward [remote control]
PLA	Play [remote control]
VBOO	Voice Boost [remote control]
BBOO	Bass Boost [remote control]
SUrr	Surround [remote control]

FCC/IC

Warning: Changes or modifications to this unit not expressly approved by the party responsible for compliance could void user's authority to operate the equipment.

NOTE: This equipment has been tested and found to comply with the limits for Class B digital device, pursuant to part 15 of the FCC Rules. These limits are designed to provide reasonable protection against harmful interference in a residential installation. This equipment generates, uses, and can radiate radio frequency energy and, if not installed and used in accordance with the instructions, may cause harmful interference to radio communications. However, there is no guarantee that interference will not occur in a particular installation. If this equipment does cause harmful interference to radio or television reception, which can be determined by turning the equipment off and on, the user is encouraged to try to correct the interference by one or more of the following measures:

- Reorient or relocate the receiving antenna.
- Increase the separation between the equipment and the receiver.
- Connect the equipment into an outlet on a circuit different from that to which the receiver is connected.
- Consult the dealer or an experienced radio/TV technician for help.

This device complies with Part 15 of the FCC Rules. Operation is subject to the following two conditions:

- (1) This device may not cause harmful interference, and
- (2) this device must accept any interference received, including interference that may cause undesired operation.

This Class B digital apparatus complies with Canadian ICES-003.

Battery Replacement

When the remote control stops operating or its range seems reduced, it is time to replace the battery with a new one.

1. The battery compartment is located on the back end of the remote.
2. Press and slide the battery door open and remove the old battery.
3. Insert 1pc CR2025 battery, checking that the + and - sides of the battery match inside the battery compartment.
4. Replace the battery compartment door.

CAUTION:

- Always purchase the correct size and grade of battery most suitable for the intended use.
- Replace all batteries of a set at the same time.
- Clean the battery contacts and also those of the device prior to battery installation.
- Ensure the batteries are installed correctly with regard to polarity (+ and -).
- Remove batteries from equipment which is not to be used for an extended period of time.
- Remove used batteries promptly.

Note: Caution do not ingest batteries. If batteries are swallowed immediately call poison control.

Troubleshooting

PROBLEM	SOLUTION
1. Sound is distorted.	1a. Decrease the volume. 1b. If the original sound source is of poor quality, distortion and noise are easily noticed with high-power speakers. Try a different audio source such as a music CD. 1c. If you are using an external sound source like older generation of iPod, try reducing the output volume on the device itself. 1d. Turn off voice enhance and/or bass enhance.
2. Unit gets warm after extended play at high volume.	2a. Turn the unit off for a period of time or lower the volume.

FCC Radiation Exposure Statement

This equipment complied with FCC radiation exposure limits set forth for an uncontrolled environment. This equipment should be installed and operated with minimum distance 20cm between the radiator & your body.

Care and Maintenance

- Use a soft, clean cloth that will not scratch the surface when dusting.
- Use of furniture polish is not necessary. Should you choose to use polish, test first in an inconspicuous area.
- Using solvents of any kind on your furniture may damage the finish.
- Never use water to clean your furniture as it may cause damage to the finish.
- Liquid spills should be removed immediately, as it may damage the furniture. Use a soft, clean cloth and blot the spill gently. Avoid rubbing.
- Always use protective pads under hot dishes and plates. Heat can cause chemical changes that may create spotting within the furniture.
- If the supply cord is damaged it must be replaced by the manufacturer, its service agent or similarly qualified persons in order to avoid a hazard.
- Only a qualified service person should repair this product.
- Do not use outdoors.
- Do not insert or allow foreign objects to enter the system as this may cause an electric shock, fire, or damage to the appliance.
- Use this appliance only as described in the manual. Any other use not recommended by the manufacturer may cause fire, electric shock or injury to persons.

1-Year Limited Warranty

The manufacturer warrants that your new Media Shelf is free from manufacturing and material defects for a period of one year from date of purchase, subject to the following conditions and limitations.

1. Install and operate this Electric Appliance in accordance with the installation and operating instructions furnished with the product at all times. Any unauthorized repair, alteration, willful abuse, accident, or misuse of the product shall nullify this warranty.
2. This warranty is non-transferable, and is made to the original owner, provided that the purchase was made through an authorized supplier of the product.
3. The warranty is limited to the repair or replacement of part(s) found to be defective in material or workmanship, provided that such part(s) have been subjected to normal conditions of use and service, after said defect is confirmed by the manufacturer's inspection.
4. The manufacturer may, at its discretion, fully discharge all obligations with respect to this warranty by refunding the wholesale price of the defective part(s).
5. Any installation, labor, construction, transportation, or other related costs/expenses arising from defective part(s), repair, replacement, or otherwise of same, will not be covered by this warranty, nor shall the manufacturer assume responsibility for same.
6. The owner/user assumes all other risks, if any, including the risk of any direct, indirect or consequential loss or damage arising out of the use, or inability to use the product, except as provided by law.
7. All other warranties – expressed or implied – with respect to the product, its components and accessories, or any obligations/liabilities on the part of the manufacturer are hereby expressly excluded.
8. The manufacturer neither assumes, nor authorizes any third party to assume on its behalf, any other liabilities with respect to the sale of the product.
9. The warranties as outlined within this document do not apply to non accessories used in conjunction with the installation of this product.
10. This warranty gives you specific legal rights, and you may also have other rights which vary from state to state.

This warranty is void if:

- a. The Media Shelf is subjected to prolonged periods of dampness or condensation.
- b. Any unauthorized alteration, willful abuse, accident, or misuse of the product.
- c. You do not have the original receipt of purchase.