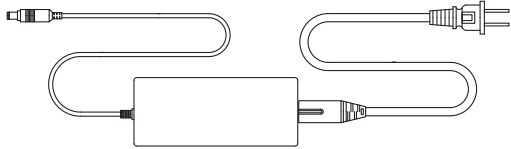


# HARDWARE LIST



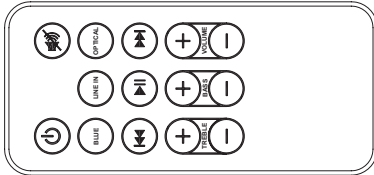
**KK**

Y16-PC-0843



**EX**

Y16-OP-4920



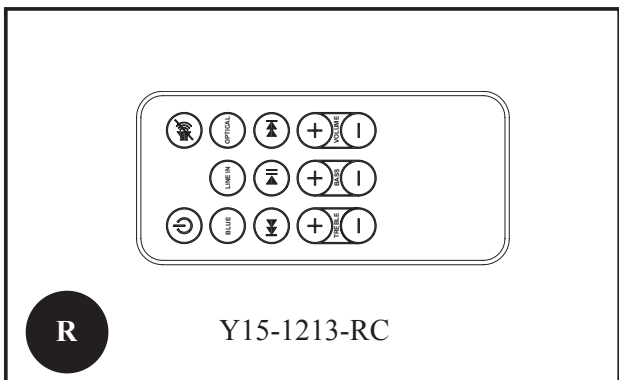
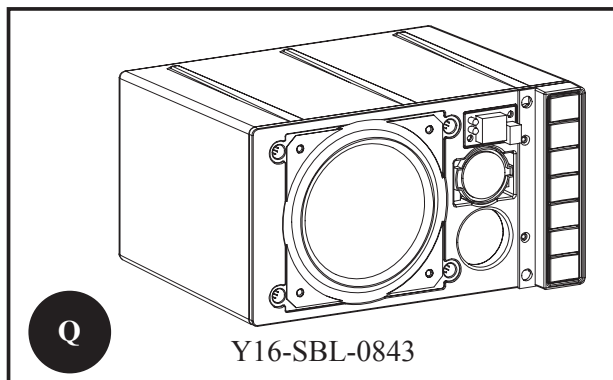
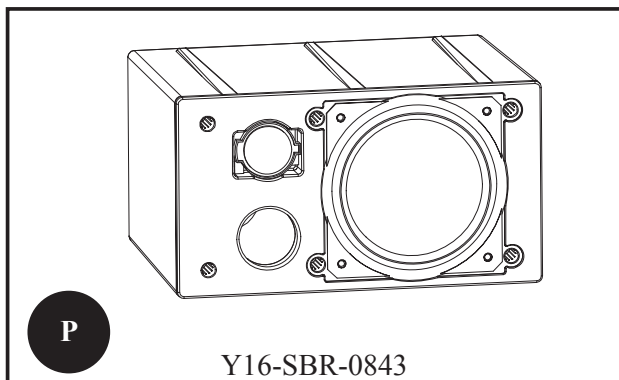
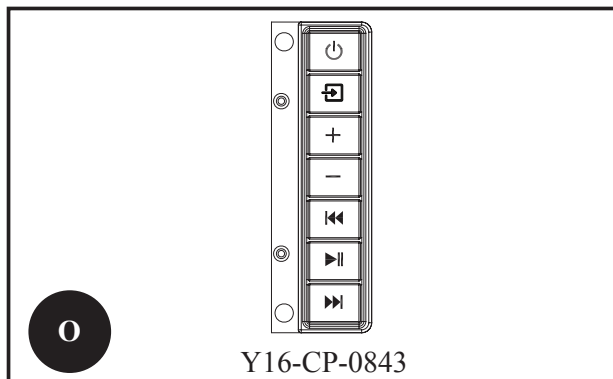
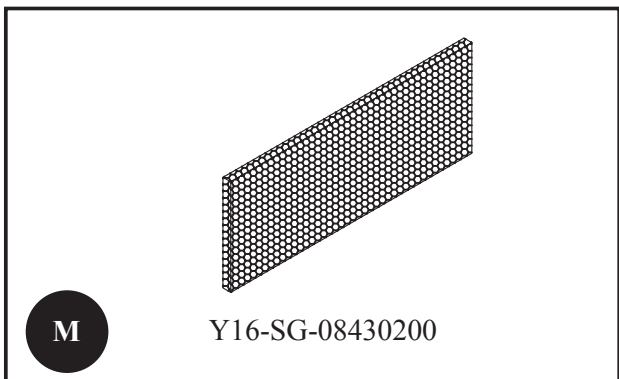
**MM**

Y15-1213-RC

# REPLACEMENT PARTS TS-0843U-0200

## PIECES DE REMPLACEMENT TS-0843U-0200

### PARTES DE REPUESTO TS-0843U-0200



# Sound System: TS-0843U-0200

## PRODUCT SPECIFICATIONS

Adapter Input	AC100-240V, 50/60Hz
Adapter Output	DC15V 2.5A
Power Consumption	30 Watts
Standby Power Consumption	< 1 W
Peak Music Power Output	150 W

## WIRING

1. OPTICAL IN - Input the console using Optical cable
2. AUX IN R/L - Input the console using RCA cable (not included)
3. DC IN - Connect the power supply
4. BELLO DIGITAL WIRELESS SUBWOOFER CONNECTION (USB) POINT:  
Wireless power and support transmit bass from optional Bello Digital wireless USB dongle to Bello digital Wireless RF Subwoofer.

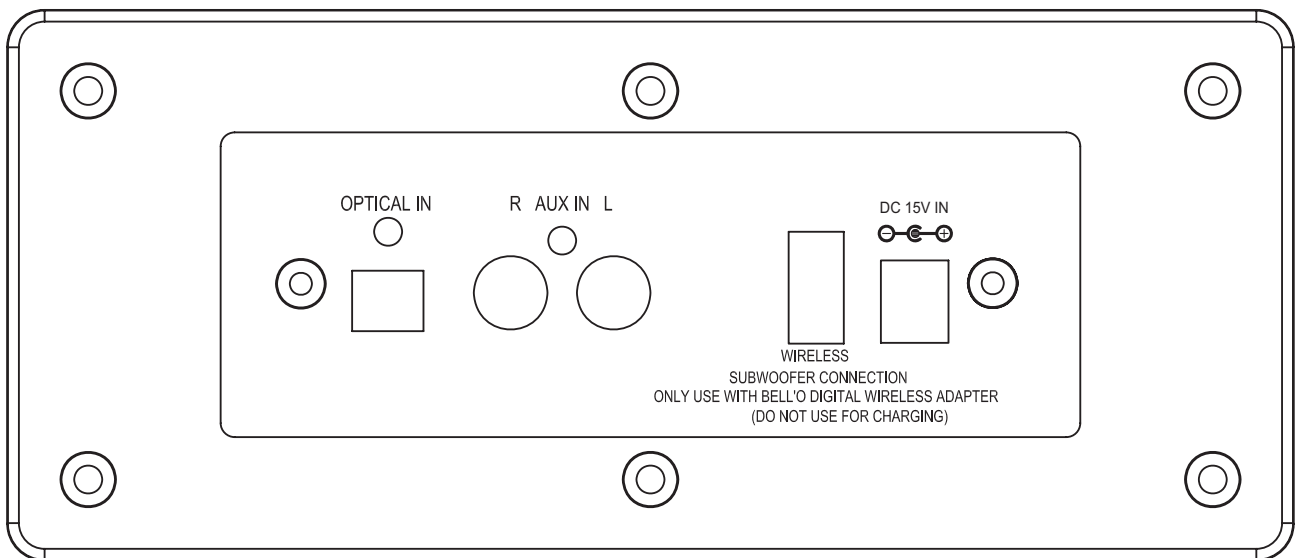
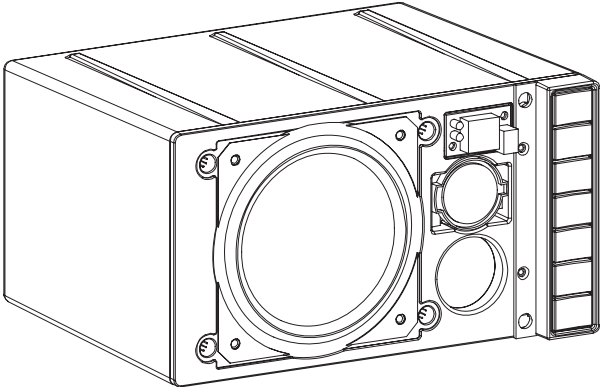
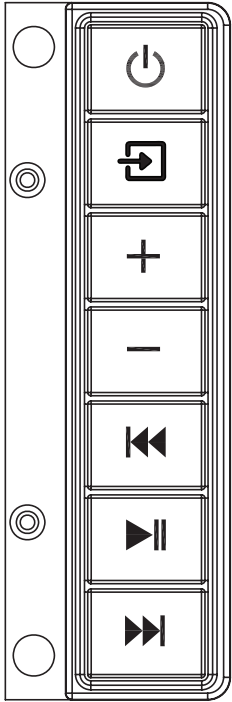


Fig.1 Back Panel

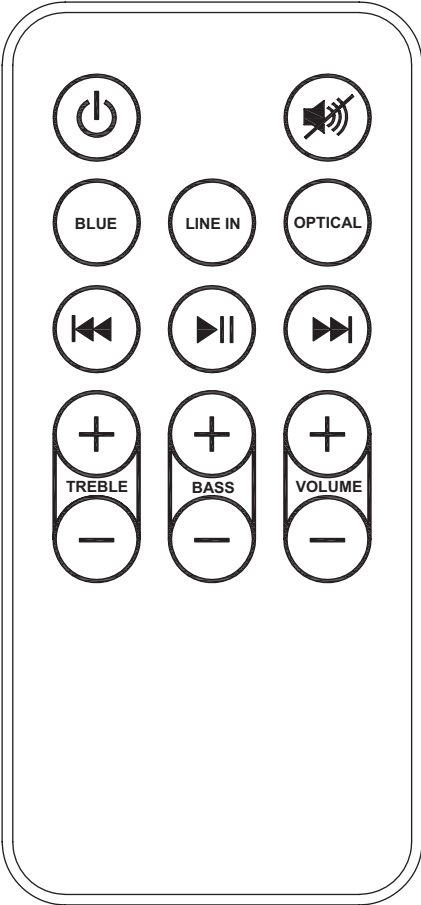
# OPERATION INSTRUCTIONS









Control Panel →



The speaker can be operated by either the remote control or the control panel.



# OPERATION INSTRUCTIONS

FUNCTION	ICON	DESCRIPTION
POWER		<p>The POWER button supplies power to all the functions of the unit.</p> <p>Pressing and holding this button for 3 seconds on Bluetooth mode will make Bluetooth pairing.</p>
SOURCE		<p>To scroll through the different input options:</p> <p><b>BT - Bluetooth</b> Search for other smartphones and devices. The blue flashing light indicates the unit is searching for devices with a WPAN (Bluetooth) function activated. Selecting TS-0843 from your device will link it to the console and allow to stream sound from up to 10 meters away. The light will stay continuously lit once a connection has been made to the device.</p> <p><b>OP - Optical Input</b> Stream sound from your television or other device connected to the console at the back panel by Optical cable.</p> <p><b>AU - AUX Input</b> Stream sound from your television or other device connected to the console at the back panel by RCA cables.</p>
ADJUSTMENT		<p>Adjust the volume if Speaker is ON</p>
PREV/NEXT		<p>In Bluetooth mode, press PREV/NEXT buttons to change previous or next songs.</p>
PLAY/PAUSE		<p>In Bluetooth mode, press PLAY/PAUSE button to play or pause the selected track.</p>
MUTE		<p>Press MUTE button on the remote to mute and un-mute the volume.</p>

# OPERATION INSTRUCTIONS

---

FUNCTION	ICON	DESCRIPTION
BLUE		Press BLUE button on the remote to switch to Bluetooth input.
LINE IN		Press LINE IN button on the remote to switch to Aux In input.
OPTICAL		Press OPTICAL button on the remote to switch to Optical input.
TREBLE		Press TREBLE button on remote to adjust the TREBLE up or down.
BASS		Press BASS button on remote to adjust the BASS up or down.
VOLUME		Press VOLUME button on remote to adjust the volume.

# OPERATION INSTRUCTIONS



---

## Learning Function

The learning function allows your Sound System to be controlled by your TV remote control (Note: Remote must send infrared signals). Any unused button on your TV remote control can be used to control the Sound System. For example, when you connect your TV to the Sound System using the RCA Stereo cables or Digital Fiber Optic Cable the TV volume and mute will no longer be controlled by the remote that came with it. Some TV remotes also come with extra buttons. These buttons can also be used for any of the learning options below.

Some of the programmable functions need to be selected from the remote control as noted below. Note: It is able to learn most IR protocols, not all remote can be programmed.

To start the learning function:

- At power on mode, press  5 seconds to learn mode. SEL starts flashing.
- Select the function to learn on the control panel or remote.
  - o The function (below) will flash. Point your TV remote at the flashing LED on the sound System and hold down the button you want it learn from.
  - o When learning is complete the function goes solid for 3 seconds (stops flashing) and simultaneously beeps 2 times. SEL will now start flashing.
  - o You can now select the next function to learn or end the process by pressing the  for 5 seconds.

V	Volume up [control panel or remote control]
V-	Volume down [control panel or remote control]
SI	Mute [remote control]
ON	Power [control panel or remote control]
SO	Source [control panel]
AU	Aux [remote control]
OP	Optical [remote control]
BL	Bluetooth [remote control]
BA	Track Back [control panel or remote control]
FO	Track Forward [control panel or remote control]
PL	Play [control panel or remote control]
T	Treble up [remote control]
T-	Treble down [remote control]
B	Bass up [remote control]
B-	Bass down [remote control]

## TROUBLESHOOTING

PROBLEM	SOLUTION
1. Sound is distorted.	1a. Decrease the volume. 1b. If the iPhone/iPod original sound source is of poor quality, distortion and noise are easily noticed with high-power speakers. Try a different audio source such as a music CD. 1c. If you are using an external sound source like older generation of iPod, try reducing the output volume on the device itself. 1d. Try changing the bass and treble settings using the remote control.
2. Unit gets warm after extended play at high volume.	2a. Turn the unit off for a period of time or lower the volume.

## CARE AND MAINTENANCE

---

### Warning:

1. If the supply cord is damaged it must be replaced by the manufacturer, its service agent or similarly qualified persons in order to avoid a hazard.
2. Only a qualified service person should repair this product.
3. Do not use outdoors.
4. Do not insert or allow foreign objects to enter the system as this may cause an electric shock, fire, or damage to the appliance.
5. Use this appliance only as described in the manual. Any other use not recommended by the manufacturer may cause fire, electric shock or injury to persons.



## Replacing the Remote Control Battery

When the remote control stops operating or its range seems reduced, it is time to replace the battery with a new one.

1. The battery compartment is located on the back end of the remote.
2. Press and slide the battery door open and remove the old battery.
3. Insert 1pc CR2025 battery, checking that the + and - sides of the battery match inside the battery compartment.
4. Replace the battery compartment door.

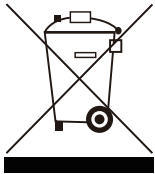
### CAUTION:

- Always purchase the correct size and grade of battery most suitable for the intended use.
- Replace all batteries of a set at the same time.
- Clean the battery contacts and also those of the device prior to battery installation.
- Ensure the batteries are installed correctly with regard to polarity (+ and -).
- Remove batteries from equipment which is not to be used for an extended period of time.
- Remove used batteries promptly.

Note: Caution do not ingest batteries. If batteries are swallowed immediately call poison control.

### Disposal of Used Batteries

Battery may contain hazardous substances which could be endangering to environment and human health.



This symbol marked on the battery and/or packaging indicates that used battery shall not be treated as municipal waste. Instead it shall be left at the appropriate collection point for recycling.

By ensuring the used batteries are disposed of correctly, you will help preventing potential negative consequences for the environment and human health. The recycling of materials will help to conserve natural resources.

For more information about collection and recycling of used batteries, please contact your local municipality, your waste disposal service or the point of sale where you purchased this point.

NOTE: This equipment has been tested and found to comply with the limits for Class B digital device, pursuant to part 15 of the FCC Rules. These limits are designed to provide reasonable protection against harmful interference in a residential installation. This equipment generates, uses, and can radiate radio frequency energy and, if not installed and used in accordance with the instructions, may cause harmful interference to radio or television reception. Interference can be determined by turning the equipment off and on. The user is encouraged to try to correct the interference by trying one or more of the following measures:

- Reorient or relocate the receiving antenna.
- Increase the separation between the equipment and the receiver.
- Connect the equipment into an outlet on a circuit different from that to which the receiver is connected.
- Consult the dealer or an experienced radio/TV technician for help.

This device complies with Part 15 of the FCC Rules. Operation is subject to the following two conditions:

(1) This device may not cause harmful interference and

(2) This device must accept any interference received, including interference that may cause undesired operation.

Changes or modifications not approved by the party responsible for compliance could void user's authority to operate the equipment.

This Class B digital apparatus complies with Canadian ICES-003.

# 1-YEAR LIMITED WARRANTY

---

The manufacturer warrants that your new SOUND SYSTEM is free from manufacturing and material defects for a period of one year from date of purchase, subject to the following conditions and limitations.

1. Install and operate this SOUND SYSTEM in accordance with the installation and operating instructions furnished with the product at all times. Any unauthorized repair, alteration, willful abuse, accident, or misuse of the product shall nullify this warranty.
2. This warranty is non-transferable, and is made to the original owner, provided that the purchase was made through an authorized supplier of the product.
3. The warranty is limited to the repair or replacement of part(s) found to be defective in material or workmanship, provided that such part(s) have been subjected to normal conditions of use and service, after said defect is confirmed by the manufacturer's inspection.
4. The manufacturer may, at its discretion, fully discharge all obligations with respect to this warranty by refunding the wholesale price of the defective part(s).
5. Any installation, labor, construction, transportation, or other related costs/expenses arising from defective part(s), repair, replacement, or otherwise of same, will not be covered by this warranty, or shall the manufacturer assume responsibility for same.
6. The owner/user assumes all other risks, if any, including the risk of any direct, indirect or consequential loss or damage arising out of the use, or inability to use the product, except as provided by law.
7. All other warranties – expressed or implied –with respect to the product, its components and accessories, or any obligations/liabilities on the part of the manufacturer are hereby expressly excluded.
8. The manufacturer neither assumes, nor authorizes any third party to assume on its behalf, any other liabilities with respect to the sale of the product.
9. The warranties as outlined within this document do not apply to non accessories used in conjunction with the installation of this product.
10. This warranty gives you specific legal rights, and you may also have other rights which vary from state to state.

This warranty is void if:

- a. The SOUND SYSTEM is subjected to prolonged periods of dampness or condensation.
- b. Any unauthorized alteration, willful abuse, accident, or misuse of the product.
- c. You do not have the original receipt of purchase.