

Bluetooth Audio Transmitter & Receiver

User's Manual

Product Series : Pilot-Blue TX/RX System

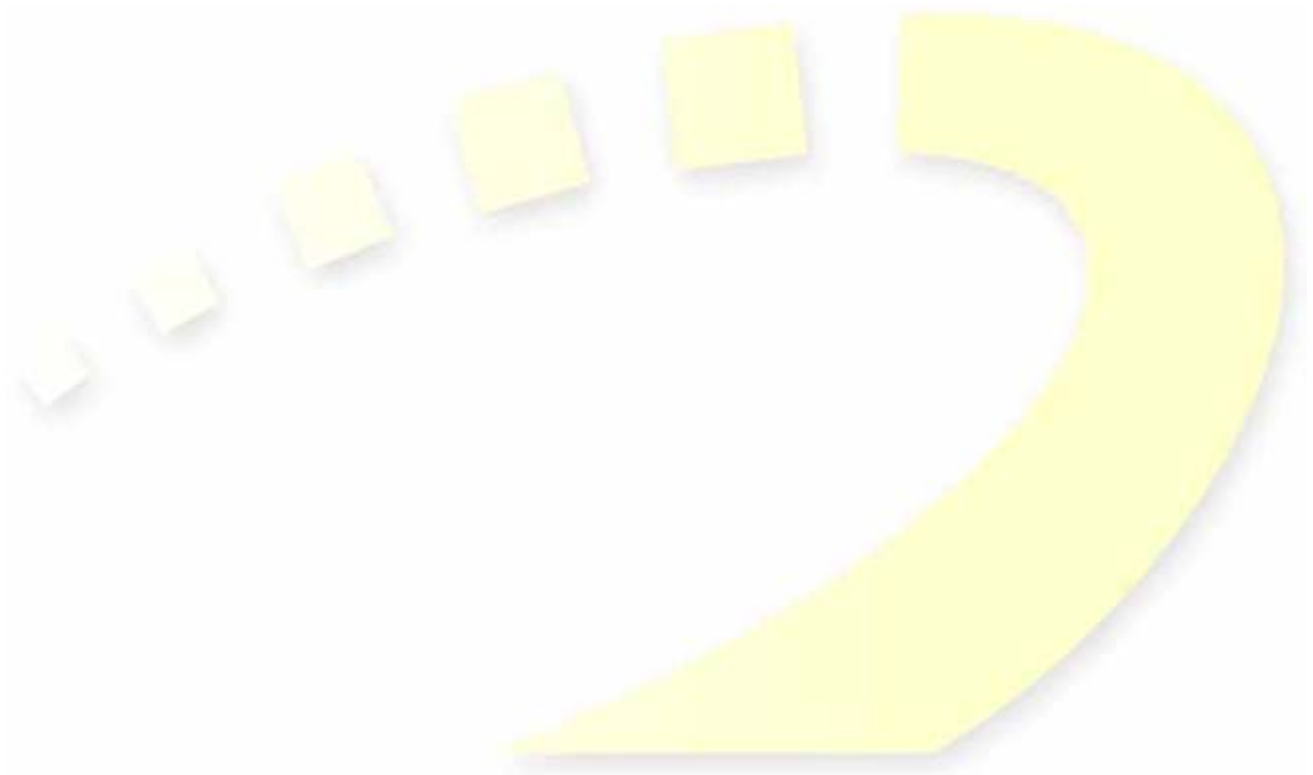
Model No. : BTT001 & BTT102

Version : 1.0



Table of Contents

Getting start	2
Device elements	3
Pairing to link	4
Troubleshooting	5
Specifications	6



Getting start

- Free your music via Bluetooth

The Bluetooth Audio Transmitter & Receiver is designed to deliver stereo music with the Bluetooth Version 1.2 and A2DP (Advanced Audio Distribution Profile) technology. It's only a simple transmitter and receiver structure to unchain music in various audio players. Just plugging the Bluetooth transmitter to the earphone jack of any audio player, you will start to enjoy music from the receiver in distance or even in another room.

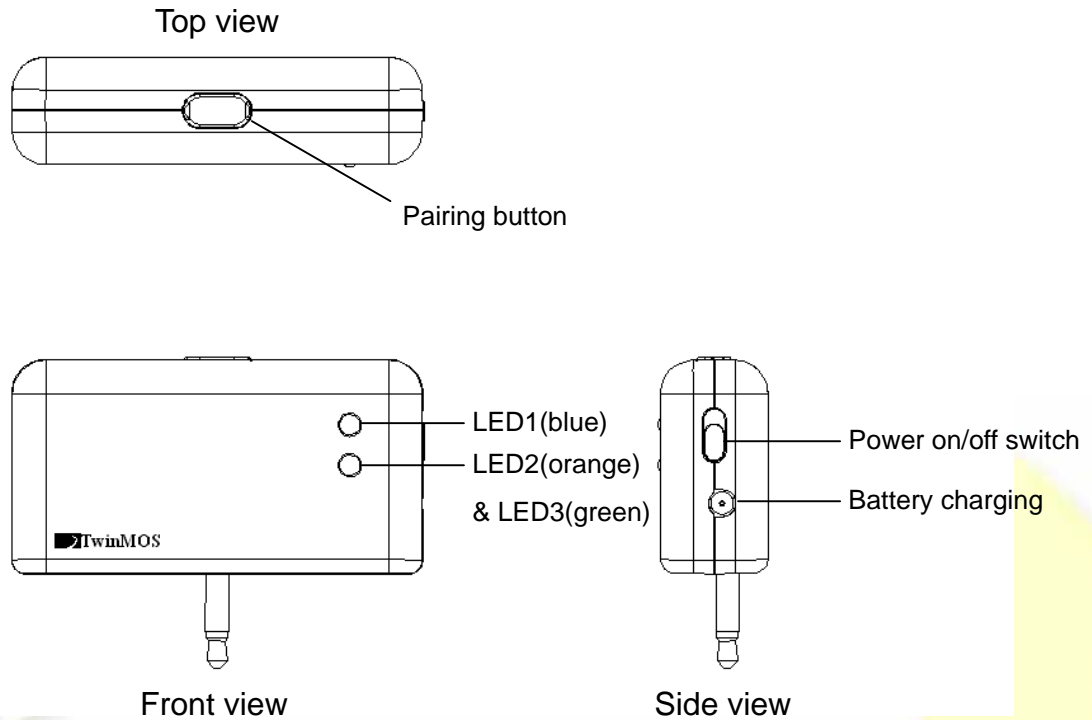
- Package includes

1. Bluetooth audio receiver	x 1
2. Bluetooth audio transmitter	x 1
3. 3.5mm audio extension cable	x 1
4. 3.5mm plug to RCA audio cable	x 1
5. Power adapter 5V, 1Amp	x 1
6. Power cable splitter	x 1
7. User's manual	x 1

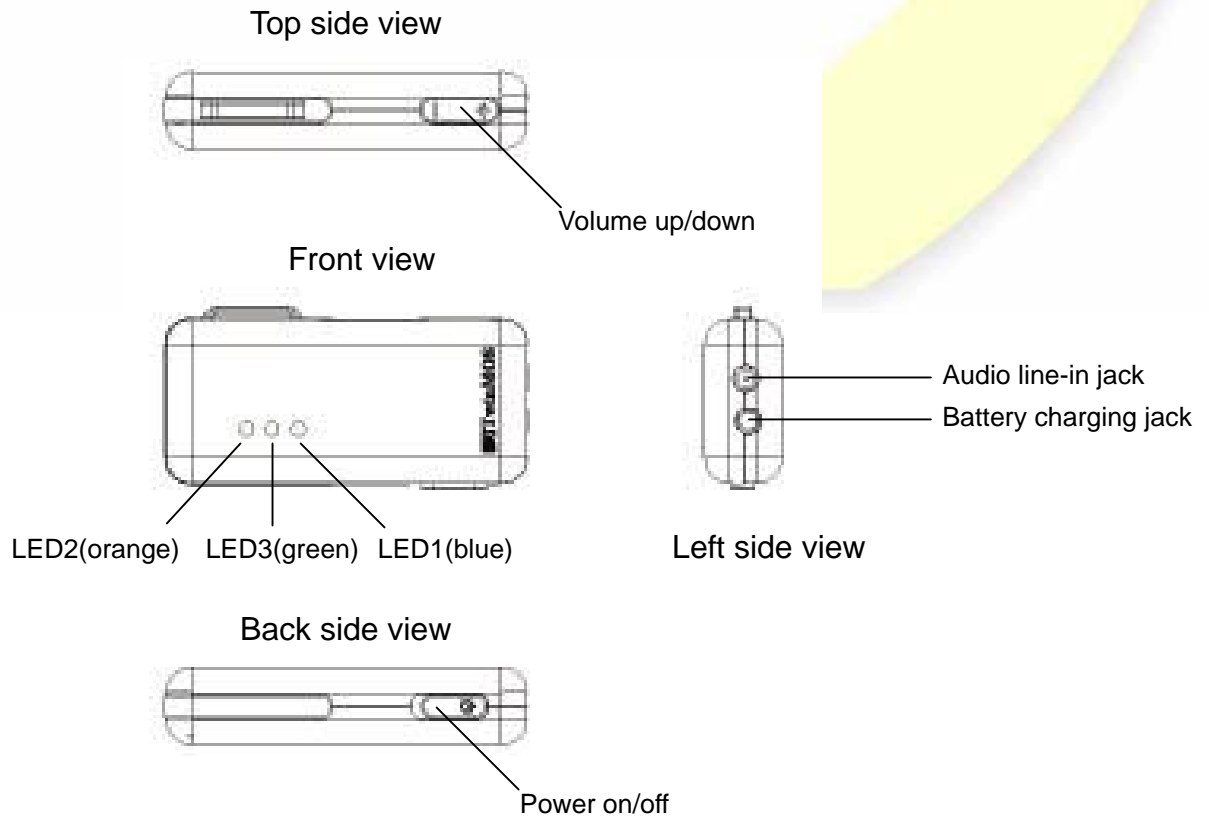


Device elements

1. BTT001, Bluetooth audio transmitter



2. BTT102, Bluetooth audio receiver



Pairing to link

1. Setup Bluetooth link between transmitter and receiver

- Power on both transmitter and receiver
- The blue LED blinks at low speed (1Hz).
- For the first time use, stay pushing the pairing button of transmitter and wait the LED1 of transmitter to blink at medium speed(2Hz).
- Then, devices are entered pairing status and setup link automatically.
- As the link is established, the LED1 on both devices are blinking at full speed(4Hz).
- Plugging transmitter into the phone jack of any audio player and enjoying the music from receiver

Note : ☞ “Pairing to Link” is a general operation to create and exchange a link key between two devices. The devices use the link key for future authentication as exchanging information and, thus, setup a link between them.

☞ The link will be always existed between these devices once you set them up. You do not need to repeat the setup procedure in the next time.

2. Setup Bluetooth link between receiver and computer (notebook, PDA, or Mobile phone). The computer requires Bluetooth-enabled device and A2DP technologies.

- Activate the Bluetooth application program in your computer.
- Search for the Bluetooth speaker device.
- Click link icon in the Bluetooth application program to link with the speaker.
- If pairing code is required, key in “0000”.
- The link will be set and the LED1 of Bluetooth audio receiver will be blinking at full speed(4Hz).
- Go to the device manager of the computer OS and redirect the speaker device to the Bluetooth speaker device. (For different Bluetooth application program, there will be different bluetooth device name.)
- Now, the music in your computer is played in the receiver.

Note : ☞ For Bluetooth application program in your computer, please consult your computer manual for Bluetooth operations.

☞ Please be aware the Bluetooth technology in your devices should be version 1.2 and compatible with A2DP (Advanced Audio Distribution Profile) to connect with speaker.

☞ The “Bluetooth speaker device” is a category term in many computer OSs, which the Bluetooth audio receiver is belong to.



Troubleshooting

Q1 : The music does not come out while turn on transmitter/receiver?

- Ans : a. Check the connection of audio plug and audio player.
b. Check the battery status of both transmitter and speaker.
c. Refer to “Pairing to link”, redo the proper setup procedure.

Q2 : Is it possible to operate several receivers with single transmitter?

Ans : No, it cannot. The bandwidth limit of the current Bluetooth technology is not allowed this kind of broadcasting method now.

Q3 : Is it possible to operate multiple pairs of transmitter and receiver in the same space, respectively ?

Ans : Yes, it is. The FHSS of Bluetooth digital modulation mechanism technology allows co-existence application for many links of various pairs of transmitter and receiver. However, the devices must be pairing to link for each pair first.

Q4 : Is it possible to play music via the link of transmitter and receiver and charge batteries simultaneously?

Ans : Yes, it is.

Q5 : If my computer has a built-in Bluetooth device, why I cannot set up linking with receiver?

Ans : It's not all the built-in Bluetooth devices in computers are compatible with receiver. Please confirm your Bluetooth device is compliant to Bluetooth ver1.2 and A2DP (Advanced Audio Distribution Profile).

Q6 : When I setup the link between my computer and receiver, what is the pairing code?

Ans : Please key in “0000” which is the default code of receiver.

Q7 : If my computer isn't included a built-in Bluetooth device, how can I make receiver link to computer?

Ans : Our suggestion is to purchase a Bluetooth USB dongle and install the program along with the device. Then, follow the program to link with receiver.

Q8 : Why the music seems to be badly interfered while using cordless phone?

Ans : The adoption of 2.4GHz band in Bluetooth technology is the same band with some cordless phones, microwave ovens and WLAN APs; therefore, the interference among those bluetooth devices may be occurred.



Specifications

1. BTT001, Bluetooth audio transmitter

BTT001	
General Factors	
RF	BT V1.2 Class II, 2.4GHz
Max. RF Distance	15 Meters @Open Space
BT Profile	A2DP(Advanced Audio Distribution Profile)
Data Rate	1 Mbps
Battery	1. Rechargeable Li+ Polymer Battery 2. Battery Life : 3 hours
Audio Interface	Std. 3.5mm analog Line-In for L/R Stereo
User Interface	
LED1(Blue)	Indicator for Power On, BT Pairing & Linking Power on → Blinking at 1 Hz Pairing → Blinking at 2 Hz Linking → Blinking at 4 Hz
LED2(Orange)	Shinning for low Battery
LED3(Green)	Indicator for Battery Charging : On → Charging is progressing. Off → Battery is full.
Pairing Button	Stay pushing to link with new receiving device.
Power On Switch	Switch to turn on device.
Audio Plug	3.5mm in diameter
Batt. Charging Jack	3.0mm in diameter



Specifications

2. BTT102, Bluetooth audio receiver

BTT102	
General Factors	
RF	BT V1.2 Class II, 2.4GHz
Max. RF Distance	15 Meters @Open Space
BT Profile	A2DP(Advanced Audio Distribution Profile)
Data Rate	1 Mbps
Battery	1. Rechargeable Li+ Polymer Battery 2. Battery Life : 3 hours
Audio Performance	1. Headphone Out : Max. 10mW @ 32Ω per channel 2. Freq. Response : 20Hz to 20 KHz@ -3dB 3. Distortion : < 7%@ 10mW/1000Hz
User Interface	
LED1(Blue)	Indicator for Power On, BT Pairing & Linking Power on→ Blinking at 1 Hz Linking → Blinking at 4 Hz
LED2(Orange)	Shinning for low Battery
LED3(Green)	Indicator for Battery Charging : On → Charging is progressing. Off → Battery is full.
Volume Buttons	Volume up & down
Power On Switch	Switch to turn on device.
Audio Output	3.5 mm stereo line-in jack
Batt. Charging Jack	3.0mm in diameter



Federal Communication Commission Interference Statement

This equipment has been tested and found to comply with the limits for a Class B digital device, pursuant to Part 15 of the FCC Rules. These limits are designed to provide reasonable protection against harmful interference in a residential installation. This equipment generates, uses and can radiate radio frequency energy and, if not installed and used in accordance with the instructions, may cause harmful interference to radio communications. However, there is no guarantee that interference will not occur in a particular installation. If this equipment does cause harmful interference to radio or television reception, which can be determined by turning the equipment off and on, the user is encouraged to try to correct the interference by one of the following measures:

- Reorient or relocate the receiving antenna.
- Increase the separation between the equipment and receiver.
- Connect the equipment into an outlet on a circuit different from that to which the receiver is connected.
- Consult the dealer or an experienced radio/TV technician for help.

FCC Caution: Any changes or modifications not expressly approved by the party responsible for compliance could void the user's authority to operate this equipment.

This device complies with Part 15 of the FCC Rules. Operation is subject to the following two conditions: (1) This device may not cause harmful interference, and (2) this device must accept any interference received, including interference that may cause undesired operation.

The antenna(s) used for this transmitter must not be co-located or operating in conjunction with any other antenna or transmitter.