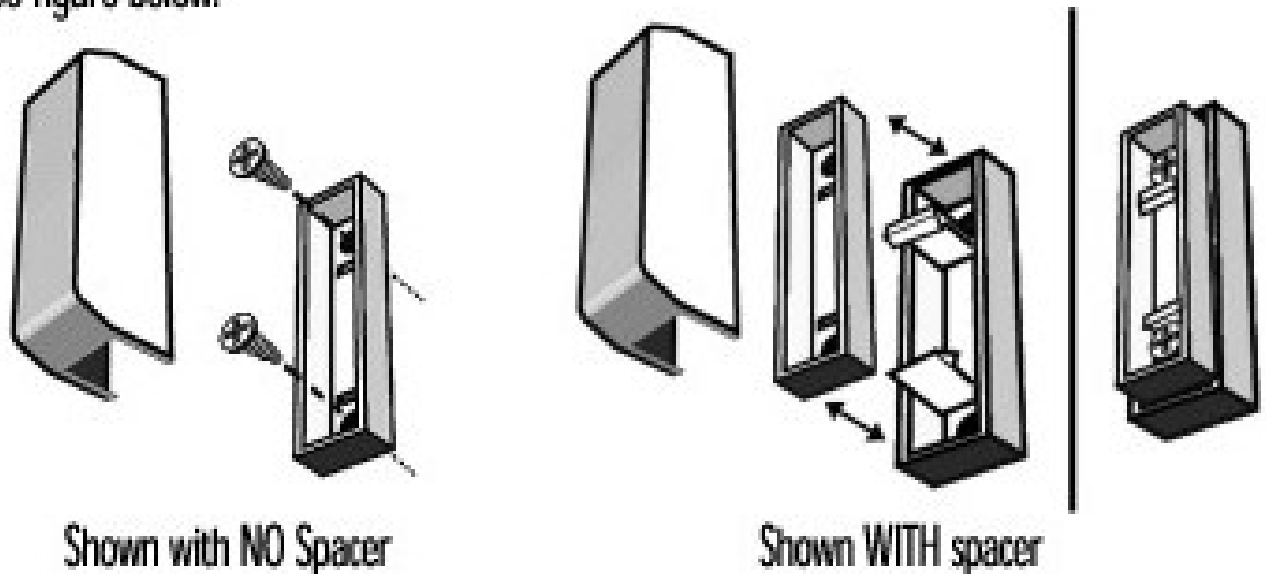


### **Magnet and Spacer:**

If you need to add the spacer to the magnet to make it longer, carefully insert a screwdriver and open the magnet. Add the spacer and replace the magnet.

See figure below.



### **Federal Communications Commission (FCC) Statement**

This device complies with part 15 of the FCC Rules. Operation is subject to the following two conditions: **(1)** This device may not cause harmful interference, and **(2)** this device must accept any interference received, including interference that may cause undesired operation.

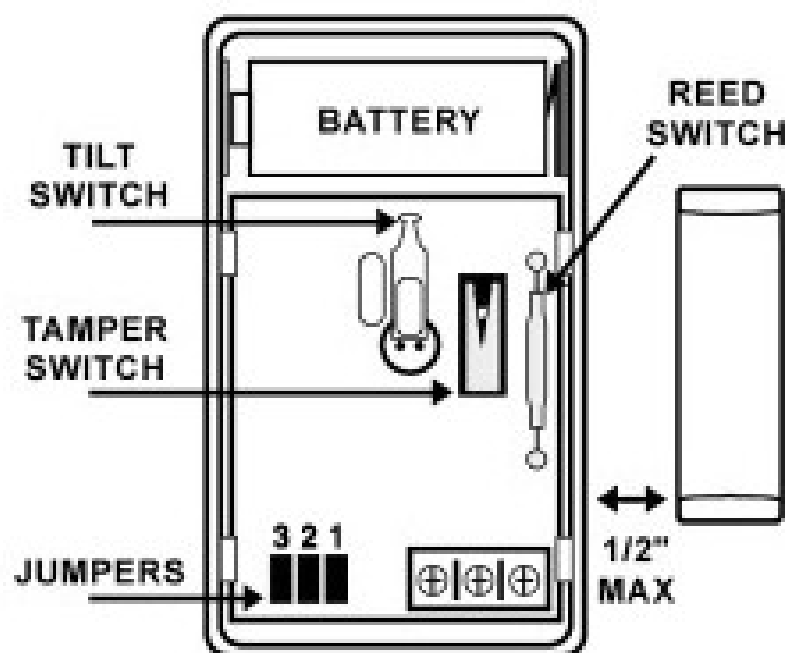
Per FCC 15.21, you are cautioned that changes or modifications not expressly approved by the part responsible for compliance could void the user's authority to operate the equipment.



## WS4965 DSC Compatible Door Window Sensor USER MANUAL

Congratulations, you have purchased a SUPERVISED DSC WLS925L-433 compatible wireless door window sensor!

The WS4965 was designed as an upgraded version of DSC's WLS925L-433 and is feature rich and user friendly to operate.



### Features of the

- **Dual Zone Sensing:** Easily protect any two zones in close proximity of each other. Reduces labor and expense of having to buy two sensors to protect two zones.
- **Easy garage door protection:** Easily protects garage doors with its 'Tilt' sensing capability. Reports faults and restores based on position of garage door, no magnet needed.
- **Programmable tilt sensor output:** Can instantly send a fault signal when the garage is opened OR can hold back any fault signal for 1 minute adding precious extra time to the entrance delay.
- **Reed switch and hardwire inputs.**

- Low Battery LED indicator- Flashes every 5 seconds once low battery is detected and sent to the central station for easy visual identification
- Tamper switch protected
- Limited Lifetime Warranty: The Door Window Sensor was designed to last forever with trouble free operation. Secure Wireless agrees to repair or replace the EV-DW433C at no cost to the user.\*\*

**Programming Jumpers:**

There are three jumpers inside the sensor that are used to program the unit. Remove Jumpers as needed for installation.

	IN	OUT
Jumper 3	Reed Switch	Tilt Sensor (Mercury)
Jumper 2*	Instant Transmission	1 Minute delay transmission
Jumper 1	DSC U.S. versions	DSC International versions

\*The EV-DW433C never looks at Jumper 2 unless Jumper 3 has been removed since it only adds a delay if you are in Tilt sensor mode.

**Enrolling the**

The Door Window Sensor enrolls the exact same way as a standard DSC WLS925L-433. Please refer to your DSC owner's manual to enroll a WLS925L-433 door window sensor.

**NOTE:** You may choose to hard wire OR use the reed switch for the first zone. The unit will operate with the internal reed OR an external mounted reed switch.

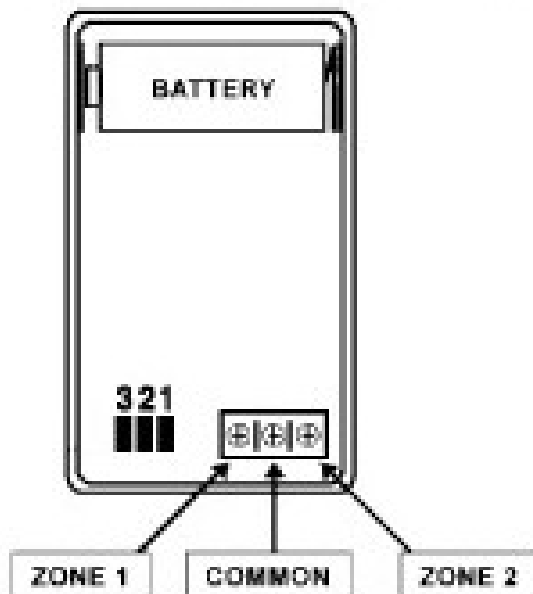


Figure 1

\*\* An \$8.95 shipping and handling fee will apply to each returned item.

## Using Dual Zones.

**NOTE:** If you are using the external contacts a **MAXIMUM** of 25 feet of wire can be used for each run.

**Step 1)** See figure 1 for wiring zone 2.

**Step 2)** The serial number for the second zone is the initial serial number PLUS '1'.

**Example:** If the serial number printed on the bottom of the case is 21124C, that is for the first zone. Simply add '1' to that serial number (21124D) and program that for the second output from the

## Using the \_\_\_\_\_ C for Garage Door Protection:

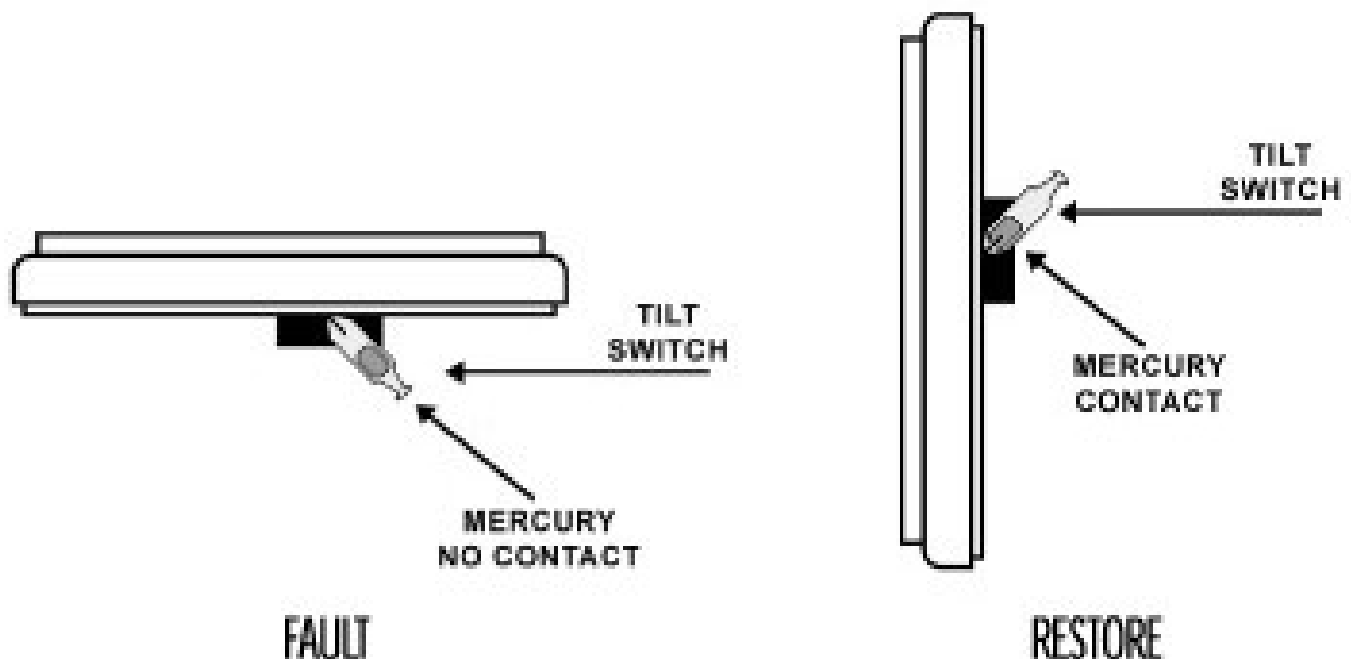
**NOTE:** Not suitable for conditions below -10 C and above 75 C.

The \_\_\_\_\_ is the perfect way to secure any garage door without having to run wires or secure a reed switch into the cement.

**Step 1)** Remove Jumper 3

**Step 2)** Look at the orientation of the sensor to ensure that when the garage door is **CLOSED** the mercury switch is making a connection. Once the garage door is open the mercury switch should not be making contact. See figures below.

**NOTE:** You can program the \_\_\_\_\_ to wait 1 minute after it sees a Fault to add extra entry delay time. See 'Programming Jumpers'.



## Mounting Bracket:

A mounting bracket has been enclosed to easily allow you to screw the mounting bracket to a door frame and easily attach the sensor. To release bracket, take a small screwdriver and carefully lift up on the bracket tab while moving the sensor up and away from the tab.