

Product Name: 125KHz Slender non keypad reader

Brand: KANTECH

Model: KT-MUL-SPR

# User Manual

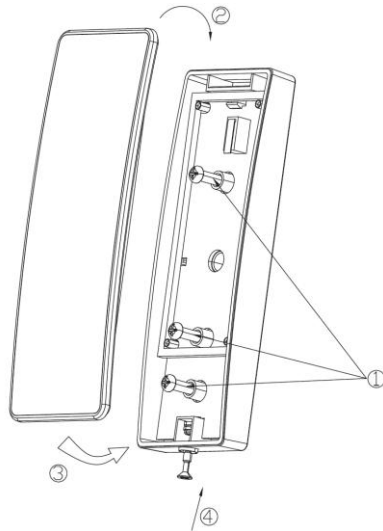
Manufacture: Shanghai Smarfid Security Equipment

Co.,Ltd.

# 125KHz Slender non keypad reader

## Mounting:

1. Install the back plate on the wall as shown in the diagram below ①.
2. The cover shall clip on the upper edge ② the push in the bottom part as show in diagram ③.
3. Tighten the non-dropout screw, which located underneath of the reader to fix the reader and the back plate ④, installation is completed.

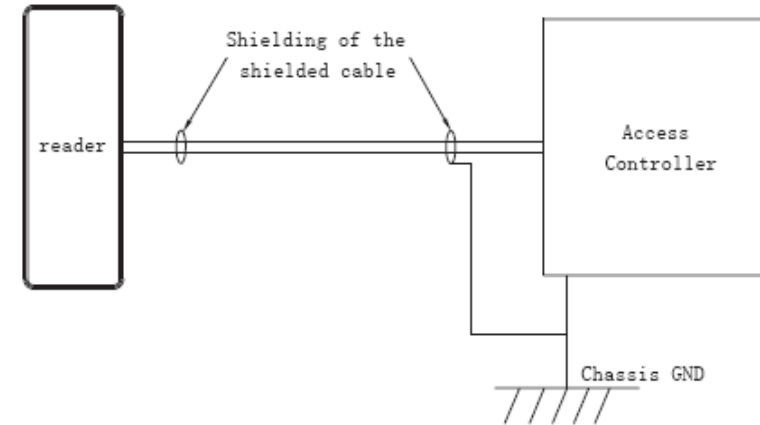


## Specification:

<b>Input Voltage (at Reader end)</b>	DC5V~12V	<b>Typical Read range</b>	> 6cm
<b>Operating Current</b>	100mA (max)	<b>Maximum Cable Length</b>	150m
<b>Operating Temperature</b>	-10°C~70 °C		

## Recommendation:

1. Linear DC Power Supply;
2. 22AWG shielded cable; it's required to do "one-point" ground. (As shown in the diagram)



## Wiring:

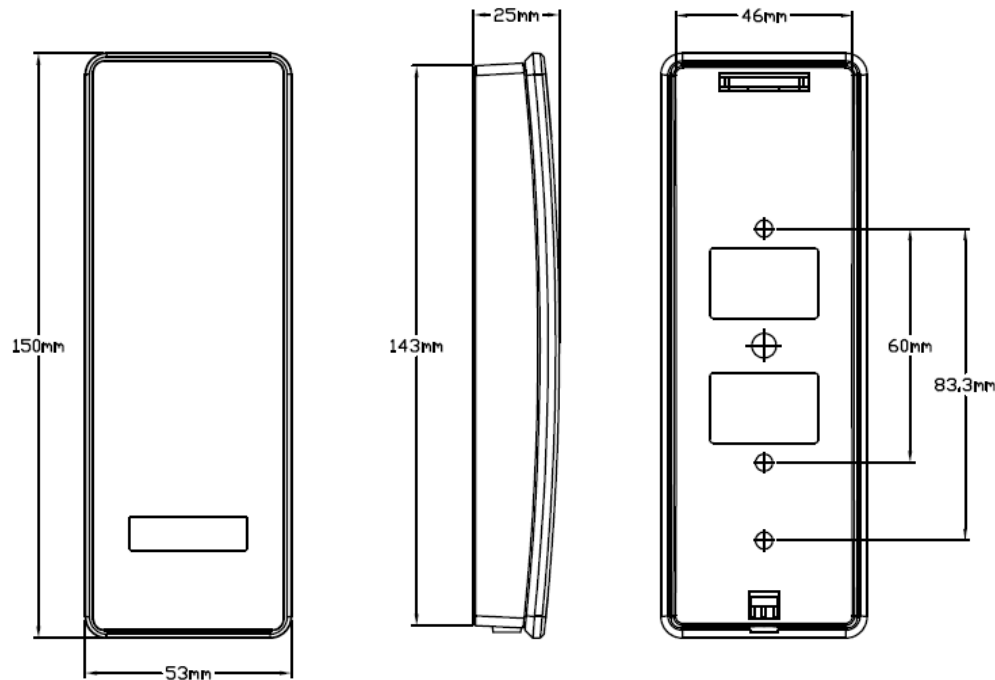
Color	Label	Description
Red	+12V dc	Power Supply to the reader
Black	GND	Signal GND
Green	Data0	Wiegand Output data, D0
White	Data1	Wiegand Output data, D1
Blue	Green LED	Green LED control, active low

# 125KHz Slender non keypad reader

## Power up Sequences:

1. This is a 125KHz Slender non keypad reader. When reader is powered up, the Green back will flicker for 5 seconds. The reader will beep once and the reader is in Ready mode.
2. Present the card. The Red LED will flicker once; buzzer will beep once.
3. When card is present and read by the reader, the card data will be transmitted to the controller. Whether the back lit of the reader will remain ON or Flash or change to Green or Red color, this depends on the Green LED inputs.
4. For number pad reader, when a number is pressed and successfully detected, the back lit under the number will flash 1 time and the buzzer will beep once. The number being pressed will burst out by default (4 bits burst).

## Physical Dimension:



## Troubleshooting:

Trouble List	Solution
No Response when Power Up	<ul style="list-style-type: none"> <li>● Disconnect the power and confirm that the power supply cable is correctly connected (See "Wiring" above).</li> <li>● Check the input voltage is sufficient (See "Specifications" above).</li> </ul>
Auto Restart	<ul style="list-style-type: none"> <li>● Check the input voltage is sufficient (See "Specifications" above).</li> </ul>
Cannot read card number correctly	<ul style="list-style-type: none"> <li>● Check the format setting on the controller if it is the same as the card format. Use approved card (known format and Facility Code) to test.</li> <li>● Check if the shield cable is correctly connected to Classis Ground at ONE point only.</li> </ul>
Reader beeps but No card data info	<ul style="list-style-type: none"> <li>● Check if data 0 &amp; data 1 cable is correctly connected (See "Wiring" above).</li> <li>● Check the input voltage at the card reader end is correct (See "Specifications" above).</li> </ul>
Back Lit Error	<ul style="list-style-type: none"> <li>● Check the LED cable is correctly connected (See "Wiring" above).</li> <li>● Use Default Configuration Card to set it back to normal.</li> </ul>
Keypad No Response	<ul style="list-style-type: none"> <li>● Power off reader for 5 seconds and power on again</li> </ul>

## **FCC Caution.**

**This device complies with part 15 of the FCC Rules. Operation is subject to the following two conditions: (1) This device may not cause harmful interference, and (2) this device must accept any interference received, including interference that may cause undesired operation.**

**Any Changes or modifications not expressly approved by the party responsible for compliance could void the user's authority to operate the equipment.**

**Note: This equipment has been tested and found to comply with the limits for a Class B digital device, pursuant to part 15 of the FCC Rules. These limits are designed to provide reasonable protection against harmful interference in a residential installation. This equipment generates uses and can radiate radio frequency energy and, if not installed and used in accordance with the instructions, may cause harmful interference to radio communications. However, there is no guarantee that interference will not occur in a particular installation. If this equipment does cause harmful interference to radio or television reception, which can be determined by turning the equipment off and on, the user is encouraged to try to correct the interference by one or more of the following measures:**

- Reorient or relocate the receiving antenna.**
- Increase the separation between the equipment and receiver.**
- Connect the equipment into an outlet on a circuit different from that to which the receiver is connected.**
- Consult the dealer or an experienced radio/TV technician for help.**