

AudioMate

Wireless Digital Media System

HCR-102: Wireless Audio Receiver

&

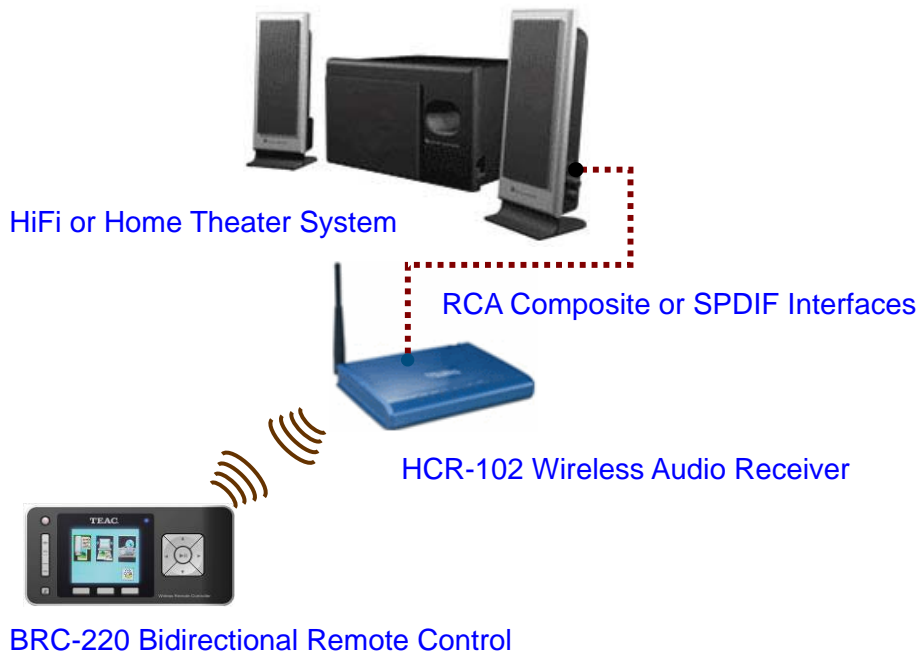
BRC-220: Bidirectional Remote Control

VERSION 0.1

1. INTRODUCTION.....	3
2. GETTING TO KNOW THE MEDIA SYSTEM	3
2.1. CHECKING PACKAGE CONTENT.....	3
2.2. GETTING STARTED.....	4
2.3. IDENTIFYING COMPONENTS.....	5
2.3.1. LCD SCREEN LAYOUT	7
2.3.2. STATUS ICON INDICATION:	7
2.3.3. MENU INDICATION:	8
2.3.4. SOFT KEYS INDICATION:	9
2.3.5. MENU TREE OF LCD DISPLAY.....	9
APPENDIX.....	10

1. Introduction

BRC-220, a Bidirectional Remote Control is designed to work with HCR-102 audio receiver to provide long range interactive remote control function. In cooperating with standard based Bluetooth class 1 technology, BRC-220 can support more than 100M operating distance at clean open area (depending on environment configuration). The BRC-220 uses SPP profile to communicate with HCR-102 over Bluetooth.



2. Getting to Know the Media System

2.1. Checking Package Content

1. BRC-220



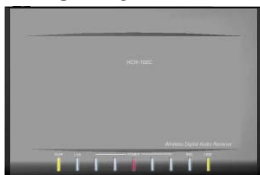
3. BRC Charging Stand



5. 5V/2A HCR Power Adapter



2. HCR-102



4. 5V/1A BRC Power Adapter (mini USB connector)



6. CD



7. QIG

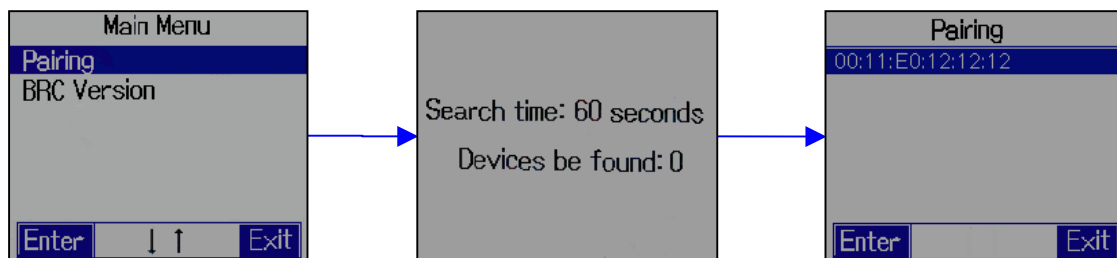
2.2. Getting Started

Connecting the BRC and HCR for First Use

- 1 Connect the power adapter to HCR and power on HCR
- 2 Connect the power adapter (with miniUSB connector) to charge BRC and power on BRC. (You should charge your new BRC when you remove it from the package)

Pairing the BRC and HCR for First Use

- 3 Pairing Main Menu will pop up on the screen after you turn on BRC. Select **Pairing** and press **Enter**, BRC will spend 60 seconds to search HCR nearby and list MAC addresses found. Select the MAC Address you want to pair with and Press **Enter**.

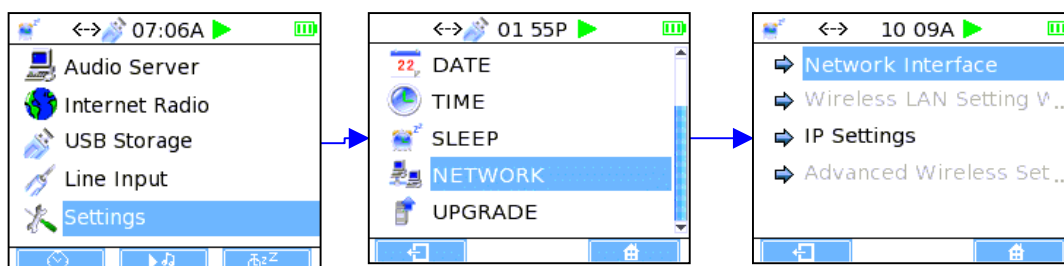


- 4 After Pairing process finish successfully, **Main Screen** will show up.



Configuring Internet Connection

- 5 Go to **Settings**→**NETWORK**, choose the Network Interface you want to enable



- 5.1 **Network Interface:** LAN or WLAN. (If you choose LAN, 5.2 & 5.4 will be grey out)
- 5.2 **Wireless LAN Setting Wizard:** Scan surrounding access points and guide users to complete wireless settings
- 5.3 **IP Settings:** choose Auto / DHCP or Manual / Static IP

5.4 **Advanced Wireless Settings**

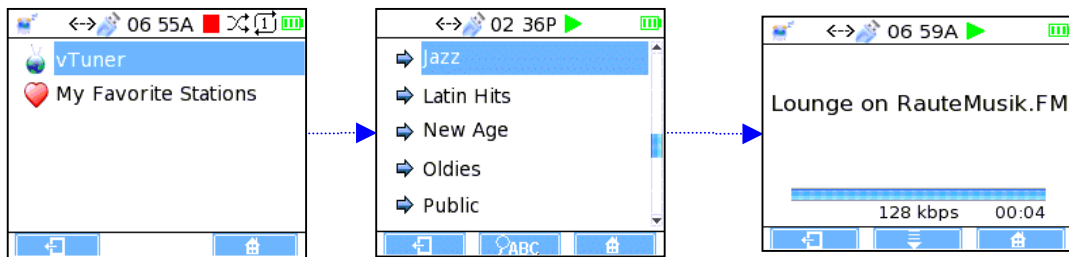
Date / Time Settings

- 6 Go to **Settings**→**NTP / DATE / TIME** to adjust date and time
 - 6.1 NTP: Network time synchronization and time zone selection.
 - 6.2 DATE: Current date setting when NTP is off
 - 6.3 TIME: Current time setting when NTP is off

LISTENING TO INTERNET RADIO STATION / MUSIC

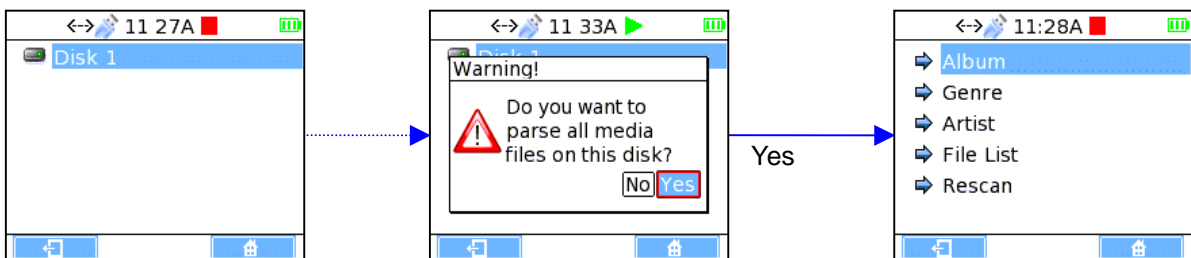
Internet Radio Station

Go to **Internet Radio**→**vTuner** and select stations you want to play. Click **Central Key** to start / stop play.



Music on USB Storage

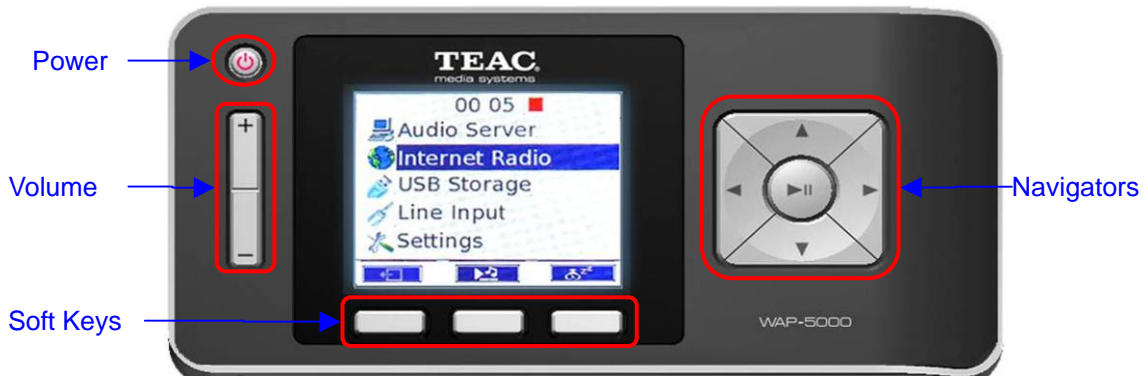
Go to **USB Storage**→**Disk** and select tracks playback. Click **Central Key** to start / pause / stop play.



The first time when you try to play USB Music, a warning message will show up to ask you to parse all media files. If you choose **Yes**, System will start Scanning→Parsing→Categorizing for all Media files on the USB Disk based on Album, Genre and Artist Category.

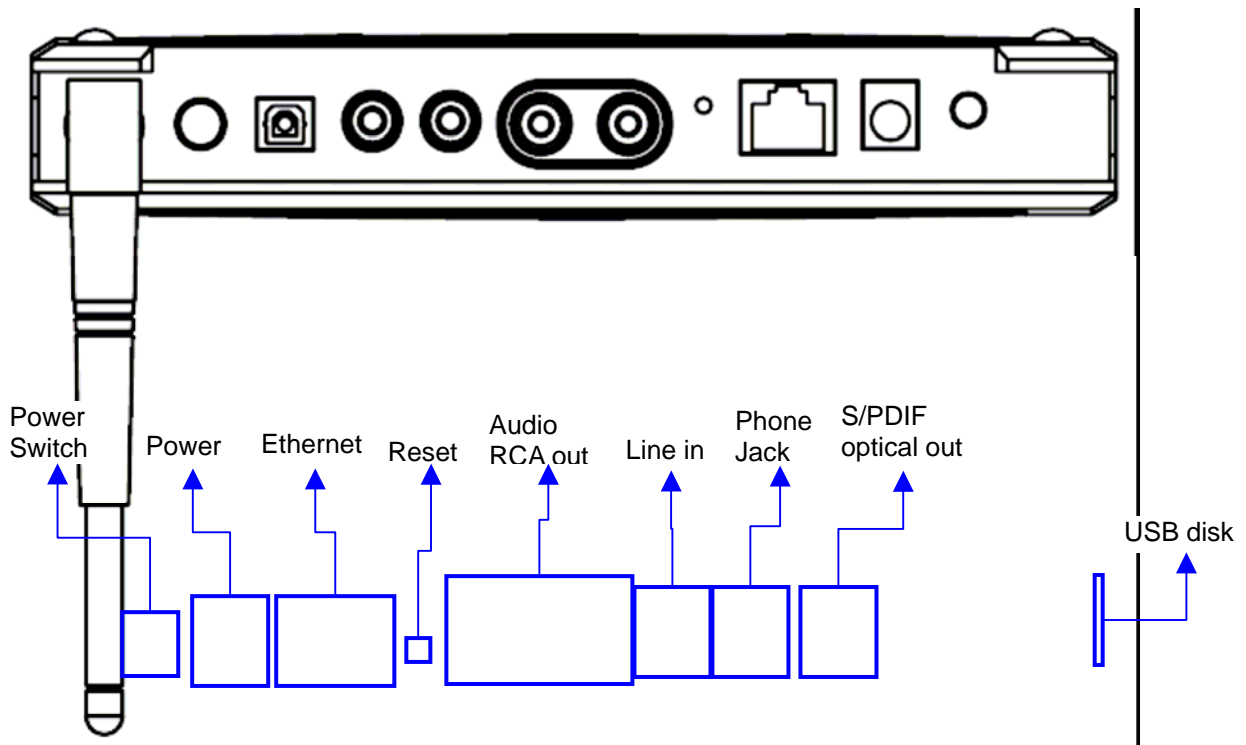
2.3. Identifying Components

BRC-220

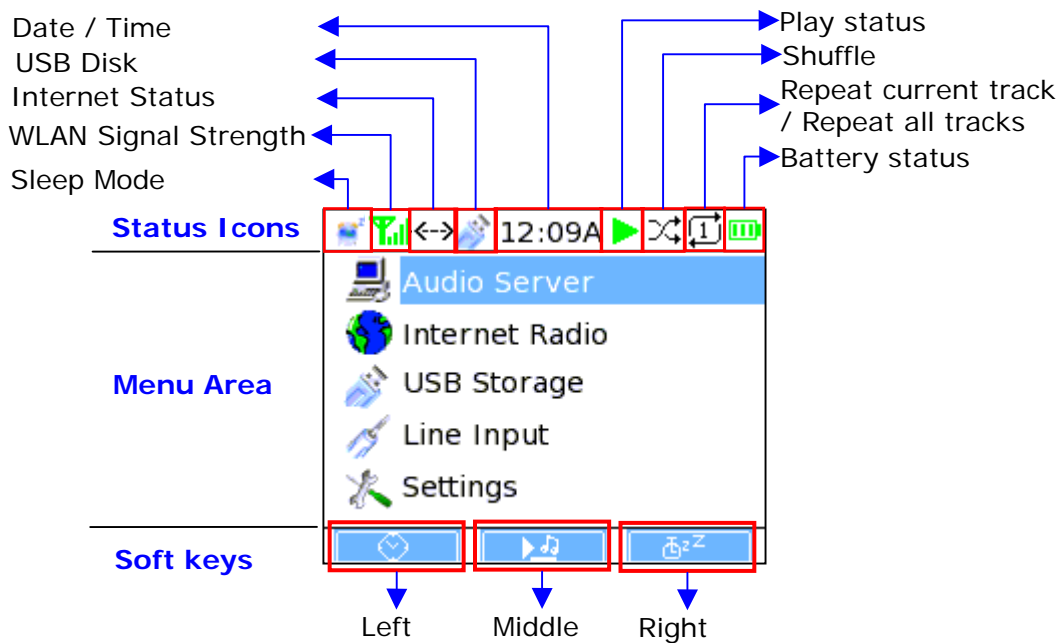


Keys		Description
Power		1. short pressing (1s): resume BRC if BRC is under standby mode 2. short pressing (1s): toggle mute state if BRC is powered on 3. Long pressing (3s): turn off BRC, SMR will go into stand-by mode
Volume + / -		Volume up / down (allow repeat key)
Soft Keys		Defined by each screen.
Navigators	UP Arrow Key	Scrolling up (allow repeat key)
	DOWN Arrow Key	Scrolling down (allow repeat key)
	LEFT Arrow Key	1. Go to last page 2. Rewind (USB disk) (allow repeat key)
	RIGHT Arrow Key	1. Go to next page 2. Forward (USB disk) (allow repeat key) 3. OK/Accept/Enter 4. Play
	Central Key	1. Play 2. Pause/Resume (short push: 1sec) 3. Stop (long push 2 sec) 4. OK/Accept/Enter

HCR-102



2.3.1. LCD Screen Layout



2.3.2. Status Icon Indication:

	Icon (20x20)	Description
Sleep Status		Indicate Sleep Function is activated. When only 10 seconds left before system go to sleep, this icon will change to a count







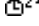
		down clock to tell user after 10 seconds some action will happen
WLAN Signal Strength		Indicate WLAN signal strength is "Poor", RED color
		Indicate WLAN signal strength is "Low", RED color
		Indicate WLAN signal strength is "Fair", ORANGE color
		Indicate WLAN signal strength is "Good", GREEN color
		Indicate WLAN signal strength is "Excellent", GREEN color
Internet status		Indicate Internet connection is established
		Indicate Internet connection fail, RED color
USB disk		Indicate USB disk is plug in
Date Time	Time	hh:mm tt (12 format), / HH:mm (24 format)
Play Status / Mute		Play, GREEN color
		Pause, ORANGE color
		Stop, RED color
		Indicate SMR is set to Mute.
Shuffle		Shuffle
Repeat		Repeat single (current) track
		Repeat all tracks
Battery Status		Indicate the battery is "Empty", RED color flashing
		Indicate the battery is "Low", RED color
		Indicate the battery is "Medium", ORANGE color
		Indicate the battery is "Full", GREEN color
	Flashing	Indicate the battery is "Charging" (flashing) Flash in RED (low), ORANGE (medium) and GREEN (high) until flashing stops when it is fully charged

2.3.3. Menu Indication:

Icon (24x24pixel)	Menu Items	Icon (24x24pixel)	Menu Items
	Audio Server		Songs
	Internet Radio		Playlist
	USB Storage		Screen
	Line-In		NTP
	Settings		DATE
	Media Server		TIME
	vTuner		SLEEP
	My Favoritae Stations		NETWORK

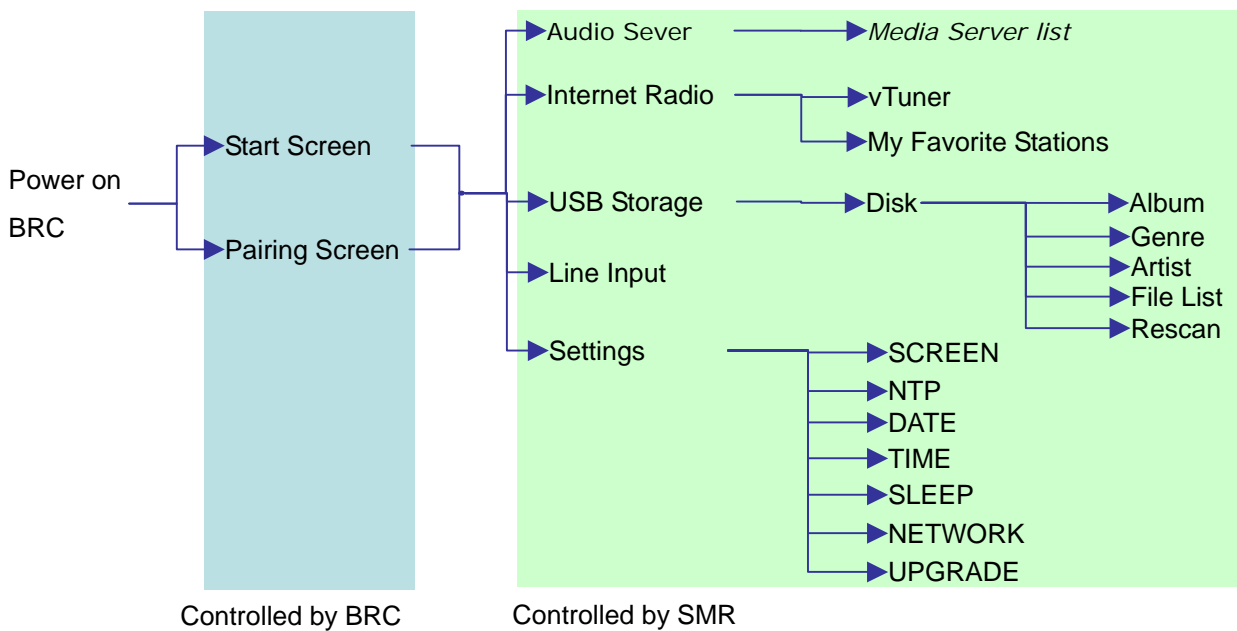


2.3.4. Soft keys Indication:

Icon	Name	Description
	Back	Back to previous layer of the current screen located
	Mode	More menu
	Main	Go to "Main Menu" screen
	Search	Search
	Playing	Go to "Now Playing" screen
	Clock	Clock
	Sleep	Set Sleep Interval

Note: button will only appear when this function is available.

2.3.5. Menu Tree of LCD display



Appendix

Product Spec

HCR-102

Audio Output / Input	
Analog RCA outputs	TBC
Headphone output	Green (mini phone, 3.5mm) Volume control is provided
Digital S/PDIF output	Digital Optical Output, Optical connector: (TBC) Sample rates: (TBC) Volume control is provided
Line-in connections	Blue connector for external audio source, such as CD player
Audio Format	
Audio Formats	<ul style="list-style-type: none"> - Uncompressed formats (WAV) (TBC, depends on customers) - Compressed formats (MP3, AAC, AAC+, WMA) (TBC, depends on customers)
Internet Radio	<ul style="list-style-type: none"> - Quick selection from hundreds of Internet Radio streams offered by vTuner - Internet Radio favorites can be saved in a playlist for easy access. - Displays song title information during playback - Support for MP3, and WMA formatted Internet Radio streams
Bluetooth Radio Specifications	
RF Standard	Class 1 Bluetooth v2.0 Backward compatible with Bluetooth v1.1 & v1.2
RF Frequency	2.4~2.4835 GHz, ISM band
RF Output Power(Peak Power)	WLAN:11b: 20.60 dBm ; 11g: 21.23 dBm bluetooth: 14.16 dBm
WLAN Radio Specifications	
WLAN Standard	IEEE 802.11b/g standard
Security	Supports both WPA Personal, WPA2-AES and 64/128-bit WEP encryption
Antenna	3.985dBi external fix dipole antenna x 1
Physical Specifications	

LED Indicator	WLAN	WLAN link and activity if there is connection, full light wlan led. If there is wlan traffic, light wlan led but with quick flashing for traffic indication.
	LAN	LAN link and activity if there is connection, full light wlan led. If there is wlan traffic,
	Power1,2 4,5	BLUE when on, off when standby
	Power3	BLUE when on, RED when standby
	USB Disk	RED when BRC is connected, Off when BRC is not connected,
	BRC	RED when USB disk is attached, off if not attached
External Port Interface	Power switch	Turn on /off SMR
	Power Jack	For Power adapter
	LAN	For Ethernet connector
	Reset button	Rest to factory default
	Line-out (L)	Analog Audio out – Left
	Line-out (R)	Analog Audio out – Right
	Line-in	Audio Input from other sources
	Phone Jack	Headphone output
	S/SPDIF output	Digital Optical Output
	USB port	USB disk
Power Supply		Switch AC/DC Power Adapter. Input: 100-240VAC/60Hz, Output: 5V/2.5A.
Dimension		121.98mm(W) x 29.4mm (H)x 180.00mm(L) (TBD)
Weight		TBD
ENVIRONMENTAL SPECIFICATIONS		
Temperature	Operating	0°C to 40°C (32°F to 104°F)
	Storage	-20°C to 60°C (-4°F to 140°F)
Humidity	Operating	10% to 85% Non-Condensing
	Storage	5% to 90% Non-Condensing

BRC-220

Bluetooth Radio Specifications		
RF Standard	Class 1 Bluetooth v2.0 Backward compatible with Bluetooth v1.1 & v1.2	
RF Frequency	2.4~2.4835 GHz, ISM band	
RF Output Power(Peak Power)	13.31dBm (TBD)	
Physical Specifications		
Display	Type	TFT LCD with 26K colors

	Size	2.0 inches
	Resolution	176 (H)x 220(W) pixel
	Active Area	31.68 x 39.6 mm
	Pixel Pitch	0.18 x 0.18 mm
LED		OFF – when BRC-220 is powered OFF Blinking when BRC-220 enters standby mode
External Port Interface		MiniUSB
Dimension		125 (L)x60(W)x16(H) mm
Weight		125g (TBC after drop test)
Power Supply		Charge via mini USB port
Battery		3.7V 850 mAh Lithium rechargeable battery pack (built-in)
ENVIRONMENTAL SPECIFICATIONS		
Temperature	Operating	0°C to 40°C (32°F to 104°F)
	Storage	-20°C to 60°C (-4°F to 140°F)
Humidity	Operating	10% to 85% Non-Condensing
	Storage	5% to 90% Non-Condensing

Federal Communication Commission Interference Statement

This equipment has been tested and found to comply with the limits for a Class B digital device, pursuant to Part 15 of the FCC Rules. These limits are designed to provide reasonable protection against harmful interference in a residential installation. This equipment generates, uses and can radiate radio frequency energy and, if not installed and used in accordance with the instructions, may cause harmful interference to radio communications. However, there is no guarantee that interference will not occur in a particular installation. If this equipment does cause harmful interference to radio or television reception, which can be determined by turning the equipment off and on, the user is encouraged to try to correct the interference by one of the following measures:

- Reorient or relocate the receiving antenna.
- Increase the separation between the equipment and receiver.
- Connect the equipment into an outlet on a circuit different from that to which the receiver is connected.
- Consult the dealer or an experienced radio/TV technician for help.

FCC Caution: Any changes or modifications not expressly approved by the party responsible for compliance could void the user's authority to operate this equipment.

This device complies with Part 15 of the FCC Rules. Operation is subject to the following two conditions:

- (1) This device may not cause harmful interference, and
- (2) this device must accept any interference received, including interference that may cause undesired operation.

IMPORTANT NOTE:

FCC Radiation Exposure Statement:

This equipment complies with FCC radiation exposure limits set forth for an uncontrolled environment. [This equipment HCR102 wireless audio receiver should be installed and operated with minimum distance 20cm between the radiator & your body.](#)