

TM1Q User Manual

v1.2

History

Company was established on 15th of April 1998. Main residence is based in Vilnius.

Company started with production of telecommunication devices.

In 2001 company expanded its fields of activity by starting design and manufacturing of electrical systems for wireless data transfer.

In 2002 contract of partnership and collaboration was signed with company Pro-Sign GmbH (Germany), considering design and representation of graphic programming interface iCon-L in Eastern Europe.

In 2003 Teltonika and NOKIA became partners and started integration of NOKIA M2M technology using NOKIA N12 module. It was the beginning of wireless technology development process.

In 2004, NOKIA invited Teltonika to join presentation of M2M technology innovations in CeBIT 2004. It was very high evaluation of a small Lithuanian company and its possibilities, which helped to feel peculiarities of international business.

In 2004 Teltonika produced more than 10 new products and solutions using EDGE technology. It was a condition that made Teltonika a leader of M2M integration solutions using EDGE not only in Lithuania, but also in Europe.

2005 was the year of two successful international exhibitions: CEBIT 2005 and HANNOVER MESSE 2005. These shows opened new possibilities for offering our products and solutions for all world.

In the year 2005 Teltonika became an international company. We became Lithuanian - Finnish Company. A few employees from NOKIA joined Teltonika's staff. Presently they successfully develop activity of new companies: Teltonika International GmbH (Düsseldorf) and Teltonika International Oy (Helsinki).

About US

Our vision is to provide added value for people and companies by creating electrical devices and solutions, which are based on the latest achievements of science and technology.

We aim to help people to integrate the latest technologies in real life, what would bring more cosiness, comfort, freedom of mobility and security to their everyday life.

We seek to make all our solutions an inconceivable part of people lives.

TABLE OF CONTENTS

1	Document Mission	3
2	Glossary	3
3	Scope of Product	7
3.1	Certification Requirements	7
4	Product features	9
4.1	Supplementary services	9
4.2	SMS	10
4.3	AT-command support	10
5	HW functions	11
5.1	Audio	11
5.1.1	Circuit description	11
5.1.2	Handset and headset mode	13
5.1.3	Hands free mode	13
5.1.4	Ringer mode	13
5.1.5	Audio codecs	14
5.1.6	Echo canceller and noise reduction	14
5.1.7	Digital filters and gains	14
5.1.8	I2S interface	14
5.2	Power management	17
5.2.1	Battery power supply	17
5.2.2	Charger interface	18
5.2.3	Real Time Clock supply output	20
5.2.4	Power saving	21
5.2.5	Current consumptions	22
5.3	Mechanical characteristics	23
6	Module interfaces	24
6.1	Pins overview	24
6.2	Module power on	30
6.3	Module power off	33
6.4	Module reset	33
6.5	RF antenna interface	34
6.6	SIM interface	34
6.6.1	SIM functionality	34
6.7	Asynchronous serial interface (ASC)	36
6.7.1	MUX protocol	37
6.8	Synchronous serial interface (SPI)	38
6.9	I2C bus interface	39
6.10	Keypad interface	40
6.11	ADC input	41
6.12	External interrupt input	42
6.13	CAPCOM inputs/outputs	42
6.14	GPIO	43
7	Electrical characteristics of pins	46
7.1	Absolute maximum ratings	46
7.1.1	Supply/power pins	46
7.1.2	Digital, audio and ADC pins	46
7.2	Operating parameters	47
7.2.1	Supply/power pins	47
7.2.2	Digital pins	48
7.2.3	Audio pins	52
7.2.4	ADC pins	54

1 Document Mission

TM1Q User Manual contains all information necessary for a successful integration of the system into the application of the customer. Additionally, the customer uses the information described in the User Manual to compare different systems and to finally select the appropriate system for his application. Therefore TM1Q User Manual is an important customer document. The document contains a description all interfaces present on the data module.

2 Glossary

Acronym	Meaning
3GPP	3rd Generation Partnership Project
8-PSK	Eight-Phase Shift Keying
AC	Alternating Current
ADC	Analog to Digital Converter
AFC	Automatic Frequency Correction
ASC	Asynchronous Serial Interface Controller
AT	AT Command Interpreter Software Subsystem, or attention
BABT	British Approvals Board for Telecommunications
CBCH	Cell Broadcast Channel
CBS	Cell Broadcast Services
CGU	Clock Generation Unit
CS	Coding Scheme or Chip Select
CSD	Circuit Switched Data
CTS	Clear To Send
DAI	Digital Audio Interface
DC	Direct Current
DCD	Data Carrier Detect
DCE	Data Communication Equipment
DCS	Digital Cellular System
DL	Down Link (Reception)
DSP	Digital Signal Processing
DSR	Data Set Ready
DTE	Data Terminal Equipment
DTM	Dual Transfer Mode
DTMF	Dual Tone Multi Frequency
DTR	Data Terminal Ready
EDGE	Enhanced Data rates for GSM Evolution
EEPROM	Electrically Erasable and Programmable ROM

Acronym	Meaning
E-GPRS	Enhanced GPRS
EGSM	Extended GSM
EMC	Electromagnetic Compatibility
ESD	Electrostatic Discharge
FDD	Frequency Division Duplex
FEM	Front End Module
FFS	Flash File System
GND	Ground
GPIO	General Purpose Input Output
GPRS	General Packet Radio Service
GSM	Global System for Mobile Communication
HDLC	High Level Data Link Control
HSDPA	High Speed Downlink Packet Access
HW	Hardware
JTAG	Joint Test Action Group
I2C	Inter-Integrated Circuit
I2S	Inter IC Sound
IIR	Infinite Impulse Response
IMEI	International Mobile Equipment Identity
I/O	Input / Output
IP	Internet Protocol
IPC	Inter Processor Communication
ISO	International Organization for Standardization
ITU	International Telecommunication Union
LDO	Low-Dropout
LVD	Low Voltage Directive
M2M	Machine to Machine
MCP	Multi-Chip-Package
MCS	Modulation Coding Scheme
ME	Mobile Equipment
MICTOR	Matched Impedance Connector
MIDI	Musical Instrument Digital Interface
MS	Mobile Station
MSC	Mobile Switching Centre
MUX	Multiplexer or Multiplexed

Acronym	Meaning
NOM	Network Operating Mode
NTC	Negative Temperature Coefficient
PA	Power Amplifier
PBCCH	Packet Broadcast Control Channel
PC	Personal Computer
PCB	Printed Circuit Board
PCCCH	Packet Common Control Channel
PCS	Personal Communications Service
PDU	Protocol Data Unit
PICS	Protocol Implementation Conformance Statement
PIXIT	Protocol Implementation Extra Information for Testing
PLMN	Public Land Mobile Network
PMU	Power Management Unit
PPS	Protocol and Parameter Selection
PSD	Packet Switch Data
PSRAM	Pseudo Static Random Access Memory
RF	Radio Frequency
RI	Ring Indicator
ROM	Read Only Memory
RTC	Real Time Clock
RTS	Ready To Send
RX	Receiver
R&TTED	Radio and Tele Terminal Equipment Directive
SAW	Surface Acoustic Wave
SCCU	Standby Clock Control Unit
SIM	Subscriber Identification Module
SMA	SubMiniature version A connector
SMPTE	Society of Motion Picture and Television Engineers
SMS	Short Message Service
SPI	Serial Peripheral Interface
SSC	Synchronous Serial Interface Controller
SW	Software
TCH	Traffic Channel
TCP	Transmission Control Protocol
TS	Technical Specification

Acronym	Meaning
TX	Transmitter
UART	Universal Asynchronous Receiver-Transmitter
UDI	Unrestricted Digital Information
UE	User Equipment
UEA	UMTS Encryption Algorithm
UL	Up Link (Transmission)
UMTS	Universal Mobile Telecommunications System
USB	Universal Serial Bus
USIF	Universal Serial interfaces
VC-TCXO	Voltage Controlled - Temperature Controlled Crystal Oscillator
WCDMA	Wideband CODE Division Multiple Access

DRAFT

3 Scope of Product

TM1Q is a small, light weight, ultra low cost and low power consumption SMD module that enables digital communications services on GSM/GPRS networks for machine to machine or user to user, or user to machine wireless applications.

3.1 Certification Requirements

TM1Q GSM/GPRS Data Module is certified by CE approval report and Radio & Telecommunications Terminal Equipment Directive (R&TTED) report.

Hereby, Teltonika declares that this GSM/GPRS Data Module is in compliance with the essential requirements and other relevant provisions of Directive 1999/5/EC. The directives that will be followed for this data module are described below:

3GPP TS 51.010-1 rel.99

Technical Specification Group GSM Radio Access Network and Mobile Station (MS) conformance specification;

EN 301 489-01 V1.4.1

Electromagnetic compatibility and Radio spectrum Matters (ERM); ElectroMagnetic Compatibility (EMC) standard for radio equipment and services; Part 1: Common technical requirements;

EN 301 489-07 V1.2.1

Electromagnetic compatibility and Radio spectrum Matters (ERM); ElectroMagnetic Compatibility (EMC) standard for radio equipment and services; Part 7: Specific conditions for mobile and portable radio and ancillary equipment of digital cellular radio telecommunications systems (GSM and DCS);

EN 60950

Standard for safety of information technology equipment: to protect against excessive current, short circuits and earth faults in primary circuits protective devices shall be included either as integral parts of the equipment or as parts of the building installation;

2006/95/EC (Low Voltage Directive)

The Low Voltage Directive (LVD) 73/23/EEC seeks to ensure that electrical equipment within certain voltage limits both provides a high level of protection for European citizens and enjoys a Single Market in the European Union.

Requirements for lead-free components are imposed and satisfied.

No natural rubbers, no hygroscopic materials nor materials containing asbestos are employed.

The operative temperature range is from -20 to +85 °C.

NOTE: This equipment has been tested and found to comply with the limits for a Class B digital device, pursuant to part 15 of the FCC Rules. These limits are designed to provide reasonable protection against harmful interference in a residential installation. This equipment generates, uses and can radiate radio frequency energy and, if not installed and used in accordance with the instructions, may cause harmful interference to radio communications. However, there is no guarantee that interference will not occur in a particular installation. If this equipment does cause harmful interference to radio or television reception, which can be determined by turning the equipment off and on, the user is encouraged to try to correct the interference by one or more of the following measures:

- Reorient or relocate the receiving antenna.
- Increase the separation between the equipment and receiver.
- Connect the equipment into an outlet on a circuit different from that to which the receiver is connected.
- Consult the dealer or an experienced radio/ TV technician for help.

This equipment is intended to be commercialised in all the countries of the European Union and there is no commercialisation or operational restrictions in any of the countries.

Hereby, Teltonika JSP declares that this GSM module is in compliance with the essential requirements and other relevant provisions of Directive 1999/5/EC.

Interference statement:

This device complies with Part 15 of the FCC Rules.

Operation is subject to the following two conditions:

- (1) this device may not cause harmful interference, and
- (2) this device must accept any interference received, including interference that may cause undesired operation.

Modification statement:

The FCC requires the user to be notified that any changes or modifications made to this device that are not expressly approved by Baracoda Wireless Technology, may void the user's authority to operate the equipment.

CAUTION: This device has been evaluated for and shown compliant with the FCC RF exposure limits under portable exposure conditions (antennas are within 20 cm of a person's body) when installed in certain specific OEM configurations. This device has also been evaluated and shown compliant with the FCC RF Exposure limits under mobile exposure conditions (antennas are greater than 20cm from a person's body).

The final product operating with this transmitter must include operating instructions and antenna installation instructions, for end-users and installers to satisfy RF exposure compliance requirements.

4 Product features

The TM1Q GSM/GPRS data module integrates a full-featured Release 99 GSM-GPRS protocol stack, whose main characteristics are listed in the following. Refer to the PICS/PIXIT documentation for a detailed description of the stack features.

- Quad band support: GSM 850 MHz, EGSM 900 MHz, DCS 1800 MHz and PCS 1900 MHz;
- Class 4 (33 dBm) for GSM/EGSM bands;
- Class 1 (30 dBm) for DCS/PCS bands;
- All GPRS coding schemes from CS1 to CS4 are supported;
- Encryption algorithms A5/1 for GSM and GPRS are supported;
- CS Data calls are supported in transparent/non transparent mode up to 9.6 kbps;
- Bearer service fax Group 3 Class 2.0 is supported.

The GPRS modem is a Class B Mobile Station; this means the data module can be attached to both GPRS and GSM services, using one service at a time. Network operation modes I to III are supported, with user-definable preferred service between GSM and EGPRS.

Optionally paging messages for GSM calls can be monitored during GPRS data transfer in not-coordinating network operation mode NOM II-III.

PBCCH/PCCCH logical channels are supported, as well as CBCH reception. CBCH reception when on PBCCH is supported.

GPRS multislot 10 is implemented, implying a maximum of 4 slots in DL (reception) and 2 slots in UL (transmission) and 5 slots in total.

4.1 Supplementary services

The following supplementary services are provided:

- Call Hold/Resume (CH);
- Call Waiting (CW);
- Multi-Party (MTPY);
- Call Forwarding (CF);
- Call Divert;
- Explicit Call Transfer (ECT);
- Call Barring (CB);
- Call Completion to Busy Subscriber (CCBS);
- Advice of Charge (AoC);
- Calling Line Identification Presentation (CLIP);
- Calling Line Identification Restriction (CLIR);
- Connected Line Identification Presentation (COLP);
- Connected Line Identification Restriction (COLR);
- Unstructured Supplementary Services Data (USSD);
- Network Identify and Time Zone (NITZ).

4.2 SMS

SMS Classes that are supported by TM1Q Data Module are 0, 1, 2 and 3. Mobile-originated and mobile-terminated SMS are supported. Others SMS features that are implemented in TM1Q Data Module are reported in the following:

- SMS Cell Broadcast (SMS CB);
- Concatenated SMS;
- Text and PDU mode are supported;
- Reception of SMS during circuit-switched calls;
- Reception of SMS via GSM or GPRS;
- SMS storage customizable and configurable is provided.

4.3 AT-command support

The modem functionalities and services are provided through a rich serial AT-command interface. Standards of AT commands that are supported on the module are:

- 3GPP TS 27.007;
- 3GPP TS 27.005;
- Proprietary AT commands.

For more details on the commands list and their syntax refer to AT commands Manual.

5 HW functions

5.1 Audio

5.1.1 Circuit description

The module provides the following audio interface pins:

- Two microphone inputs:
 - The first microphone input (MIC_BIAS1/MIC_GND1 pins) can be used to directly connect an electret condenser microphone used in the handset mode or in the hands free mode.
 - The second microphone input (MIC_BIAS2/MIC_GND2 pins) can be used to directly connect an electret condenser microphone used in the headset mode.
- Two speaker outputs:
 - The first speaker output (EPPA pin) is a single ended low power audio output which can be used to directly connect a receiver or an earpiece used in the handset mode or in the headset mode.
 - The second speaker output (AUOP/AUON pins) is a differential high power audio output which can be used to directly connect a speaker or a loud speaker used in the ring tones or in the hands free mode.
- I2S digital audio interface.
- Headset detection input.

The table below shows pins related to the analog audio signals.

PIN #	TM1Q Signal Name	TM1Q I/O	Function	Remarks
57	EPPA	O	Low power single-ended analog audio output	Used in handset or in headset mode
45	AUOP	O	High power differential analog audio output	Used in ring tones or in hands free mode
46	AUON	O	High power differential analog audio output	Used in ring tones or in hands free mode
55	MIC_BIAS2	I	Second microphone analog bias	Single ended supply output and signal input for the second microphone. Used in headset mode
56	MIC_GND2	I	Second microphone analog reference	Local ground of the second microphone
47	MIC_GND1	I	First microphone analog reference	Local ground of the first microphone
48	MIC_BIAS1	I	First microphone analog bias	Single ended supply output and signal input for the first microphone. Used in handset or in hands free mode

5.1.1.1 Analog uplink path (microphones inputs)

The TX (uplink) path of the analog audio front-end on the module consists of two identical microphone circuits. Two electret condenser microphones can be directly connected to the two microphone inputs available on the the module.

The main required electrical specifications for the electret condenser microphone are 2.2 kohm as maximum output impedance at 1 kHz and 2 V maximum standard operating voltage.

In the transmit section of the chipset audio front-end there is an input multiplexer which selects either one of the two differential microphone inputs, MIC1 and MIC2. The inputs for the MIC1 microphone are MIC1P and MIC1N, while the inputs for the MIC2 microphone are MIC2P and MIC2N. These two differential microphone inputs have the same characteristics: each path is composed by a settable analog gain stage, an analog switching stage, an anti alias filter stage before the 16 bit ADC converter which provides the audio sample to the sample-based voiceband processing system. The uplink path of the microphone can be muted.

The microphone supply provided by the chipset (output pin VMIC) is single-ended but the supply voltage refers to the local microphone ground and hence the noise in the ground plane, generated between analog ground and microphone, will be rejected. Using this concept the electret microphone is supplied by the single ended supply.

A low pass filter is inserted in the supply structure to reject the supply noise.

Since differential microphone inputs (MIC1P/MIC1N and MIC2P/MIC2N) are internally biased, a 100nF capacitance is inserted on each microphone input to reject the DC microphone supply bias provided by the VMIC pin.

Detailed electrical characteristics of audio transmit path and microphone supply can be found in the section 7.2.3 of this document.

This is a detailed description of the pins related to the uplink path (microphones inputs):

- MIC_BIAS1 pin provides single ended supply to the first microphone and represents the microphone signal input used in handset or hands free mode.
- MIC_GND1 pin provides the local ground for the first microphone.
- MIC_BIAS2 pin provides single ended supply to the second microphone and represents microphone signal input used in headset mode.
- MIC_GND2 pin provides the local ground for the second microphone.

5.1.1.2 Analog downlink path (speaker outputs)

The RX (downlink) path of the analog audio front-end of the module consists of two speaker outputs available pins:

- The EPPA pin represents a low power single ended audio output available for handset or headset mode. This pin is directly connected to the output of the single ended audio amplifier of the chipset.
- The AUON/AUOP pins represent a high power differential audio output, available for hands free or ringer mode. These two pins are directly connected to the output of the high power differential audio amplifier of the chipset.

Inside the baseband chipset, the analog audio front end of the two downlink audio paths (speaker outputs) are both connected to the digital voiceband processing system by a 16 bit DAC. Analog amplifying stages with an output switch matrix ensure connection to different acoustic transducers.

The high power differential audio amplifier can be used as a voice amplifier for the hands-free functionality and as a melody player amplifier for ringer functionality (see the next sections). The melody player could be the Midi synthesizer or the tone generator. In order to minimize the clipping of the audio signal, the polarization voltage can be adapted to the voltage supply (battery voltage).

Warning: excessive sound pressure from earphones and headphones can cause hearing loss.

Detailed electrical characteristics of the low power single-ended audio receive path and the high power differential audio receive path can be found in the section 7.2.3 of this document.

5.1.2 Handset and headset mode

A headset or a handset can be connected directly to the module adapter board to perform a voice call:

Handset

Handset mode is the normal voiceband functional mode of the data module, completely handled by the chipset:

- Handset microphone is directly connected to input pins MIC_BIAS1/MIC_GND1;
- Handset receiver is directly connected output pin EPPA.

Headset

The audio path is automatically switched from handset mode to headset mode when a rising edge is detected by the chipset from the pin 18 (CAP00_EXIN5 line). The audio path returns to the handset mode when the line returns to low level.

If the module is connected to its adapter board, the CAP00_EXIN5 line will be connected to the headset plug connector (switch pin) mounted on the adapter board, so a rising edge will be present on this line at the insertion of a headset plug in the relative connector.

To enable the headset detection feature, the CAP00_EXIN5 pad must be configured by means of software setting. The pad can also be configured by means of software settings as to external interrupt input or GPIO.

PIN #	TM1Q Signal Name	TM1Q I/O	Function	Remarks
18	CAP00_EXIN5	I	Headset detection input	Generic digital interfaces voltage domain. Output driver class E. PU/PD class B. Value at reset: T/PD.
		I	External interrupt input	
		I/O	GPIO	

This is the audio path used in headset mode:

- Headset microphone is directly connected to input pins MIC_BIAS2/MIC_GND2;
- Headset receiver is directly connected to output pin EPPA.

5.1.3 Hands free mode

Hands-free functionality is implemented using appropriate DSP algorithms for voice band handling (echo canceller and automatic gain control), managed via software. The viva voice operation provides the possibility to realize a phone call with a loudspeaker and a microphone. This is the audio path used in hands free mode:

- Microphone is directly connected to input pins MIC_BIAS1/MIC_GND1;
- High power loudspeaker is directly connected to output pins AUOP/AUON.

When the hands free mode is enabled, the audio output signal on the EPPA pin is disabled.

5.1.4 Ringer mode

The data module supports 40 tones polyphonic ring tones. The ringer tones are generated by chipset built-in generator and then amplified by the internal amplifier before being applied to a loudspeaker through the pins AUOP/AUON.

Polyphonic ring-tones can be generated by an internal MIDI synthesizer, which runs at 16 or 32 kHz sample frequency and can sum up to 40 voices at 16 kHz sampling rate.

The synthesizer output is only mono and cannot be mixed with TCH voice path (the two are mutually exclusive). To perform in-band alerting during TCH with voice path open, only Tone Generator can be used.

The output samples of the synthesizer are post processed by two modules:

- High Frequency Shelving Filter: This module is implemented as a first order IIR Filter, which is mainly used for high frequency boost in audio signals. Its transfer function can be controlled by 4 filter coefficients.
- Audio Compressor: The audio compressor is a device for manipulating the dynamic range of mono or stereo audio signals. The audio compressor can be controlled by 14 configuration parameters.

Polyphonic standard format supported.

The MIDI driver can play:

- MIDI files conforming to:
 - General Midi Level 1.0 with file-format 0 and 1;
 - General Midi Lite 1.0.
- SP-Midi (Scalable Polyphony MIDI) files conforming to:
 - SP-Midi 1.0.
- i-Melody files conforming to:
 - i-Melody v.1.2 specifications.

5.1.5 Audio codecs

The following speech codecs are supported in firmware on the DSP:

- GSM Half Rate (TCH/HS);
- GSM Full Rate (TCH/FS);
- GSM Enhanced Full Rate (TCH/EFR);
- 3GPP Adaptive Multi Rate (AMR) (TCH/AFS+TCH/AHS).

5.1.6 Echo canceller and noise reduction

For better handling of speech calls and audio functionalities, the product supports algorithms for echo cancellation, noise suppression and automatic gain control. Algorithms are configurable by parameters editable by AT command. Parameters can be saved in 2 customer profiles.

5.1.7 Digital filters and gains

In order to match compliance to audio test specification, configurable digital filters, digital gain, analog gain are available on uplink and downlink audio paths. Also side tone gain (feedback from uplink to downlink path) is configurable. These audio parameters can be changed by dedicated AT command and saved in 2 customer profiles.

5.1.8 I2S interface

The module supports the employment of a bidirectional I2S digital audio interface used to interconnect audio transmission between the chipset and external audio components. The I2S is a 4-wires (TX transmission, RX reception, CLK clock, WA word alignment) interface. The module acts as master: CLK and WA signals are outputs for the module and inputs for the external device.

Since all the I2S interface pins provides alternative functionalities by means of software settings, the I2S interface is available on the data module only if the SPI interface is disabled. The I2S interface pins can also be configured as GPIO: with this configuration I2S digital audio interface and SPI interface are both not enabled.

The description of the pins related to the I2S interface is reported in the following table:

PIN #	TM1Q Signal Name	TM1Q I/O	Function	Remarks
33	WA0_DAI	O	SPI sync data (MOSI)	Generic digital interfaces voltage domain. Output driver class D. PU/PD class B. Value at reset: T.
		O	I2S word alignment	
		I/O	GPIO	
34	TXD_DAI	O	SPI chip select	Generic digital interfaces voltage domain. Output driver class D. PU/PD class B. Value at reset: T.
		O	I2S transmit data	
		I/O	GPIO	
35	CLK0_DAI	O	SPI clock	Generic digital interfaces voltage domain. Output driver class D. PU/PD class B. Value at reset: T.
		O	I2S clock	
		I/O	GPIO	
36	RXD_DAI	I	SPI sync data (MISO)	Generic digital interfaces voltage domain. Output driver class D. PU/PD class B. Value at reset: T.
		I	I2S receive data	
		I/O	GPIO	

The I2S can be configured by means of software settings in two modes:

- PCM mode;
- DAI mode.

Except the supported transmission modality, the main difference between the PCM mode and the DAI mode is represented by the logical connection (inside the chipset) to the digital audio processing system integrated in the firmware:

- In PCM mode the interface is logically connected inside the chipset to the voiceband processing system as the analog audio front end at the input of the sample-based processing part: this mode provides complete audio processing possibility;
- In DAI mode the interface is logically connected at the end of the sample-based voiceband processing part as input and output: this mode is used for certification testing of audio and vocoder functions, connecting the module to a system simulator.

5.1.8.1 PCM mode

In PCM mode the I2S TX and RX connections are parallel to the Analog front end (please refer to the), so resources available for analog path can be shared:

- Digital filters and digital gains are available in both uplink and downlink direction. AT commands for audio parameter management can be addressed to this path;
- Ringer tone and service tone are mixed on the TX path when active(downlink);
- The HF algorithm acts on I2S path.

These are the main feature of the I2S interface in PCM mode:

- I2S runs in PCM - short alignment mode (configurable by AT command);
- I2S on module's side acts as master (CLK and WA signals are generated by the module);
- WA signal always runs at 8 kHz;

- WA toggles high for 1 or 2 CLK cycles of synchronism (configurable), then toggles low for 16 CLK cycles of sample width. So frame length can be $1 + 16 = 17$ bits or $2 + 16 = 18$ bits;
- CLK frequency depends on frame length so can be $17 \times 8 \text{ kHz} = 136 \text{ kHz}$ or $18 \times 8 \text{ kHz} = 144 \text{ kHz}$;
- TX, RX data are 16 bit words with 8 kHz sampling rate, mono. Data are in 2's complement notation. MSB is transmitted first;
- When WA toggles high, first synchronism bit is always low. Second synchronism bit (present only in case of 2 bit long WA configuration) is MSB of the transmitted word (MSB is transmitted twice in this case);
- TX changes on CLK rising edge, RX changes on CLK falling edge.

5.1.8.2 DAI mode

In DAI mode the I2S TX and RX access the path to RF link in an entry point behind the audio processing resources, and it is used for certification testing of audio and vocoder functions, connecting the module to a system simulator. The DAI mode is reserved for test mode: type approval compliant to ETSI TS 151 010-1 conformance specification, chapter 30, Speech Teleservices. The DAI interface is compliant to specification 3GPP TS 44.014 with exception of voltage levels, so to connect the module to a test-set supporting DAI (for example a R&S UPL16 Audio Analyzer), an external level adapter is needed.

The data exchanged on the interface are 13-bit linear PCM at 8 k samples per second, which are transferred to and from the module on two serial lines at 104 kbit/s ($13 \text{ bit} \times 8 \text{ kHz} = 104 \text{ kbit/s}$). The clock line, controlled by the module, clocks the data. The reset line (WA), controlled by the system simulator, resets the speech transcoder, the speech A/D and D/A functions and starts data transmission.

Four test modalities are supported in DAI mode:

- Normal Mode: This is the normal operational mode (DAI is off). During a voice call the samples computed by uplink path are written to speech encoder. The samples are copied out of the speech decoder the downlink path. No sample is written or read from the DAI.
- Vocoder Test: DAI is connected to the vocoder. The audio scheduler reads the sample from the DAI-Rx register and transfers it to the speech encoder. It reads samples from the speech decoder and writes the sample to the DAI-Tx register. The microphone signal is looped back to the loudspeaker (near end speaker will hear a loop).
- Acoustic Test: DAI is connected to the audio front end (microphone and speaker). The audio scheduler reads the sample from the DAI-Rx register and transfers it to downlink path (speaker). It reads a voice sample from the uplink path (mic) and writes the sample to the DAI-Tx register. The speech decoder output is looped back to the encoder input (far end speaker will hear a loop).
- Voiceband Test: The output of the speech decoder is copied into the input of the speech encoder so the downlink signal is looped back to the uplink (far end speaker will hear a loop). The microphone signal is looped back to the loudspeaker (near end speaker will also hear a loop). No sample is written or read from the DAI.

5.2 Power management

5.2.1 Battery power supply

The module has to be supplied by a Li-Ion battery or another power supply able to provide a stable voltage level due to the bursty current consumption profile of the GSM system.

The module support Li-Ion rechargeable battery type, with a 500mAh minimum capacity and 650mAh typical value. Other type of batteries can be supported in TM1Q with dedicated SW.

Do not connect any power supply at the supply pins if the module is supplied with a battery.

The external supply (or the battery) has to be connected to the following pins of the module:

PIN #	TM1Q Signal Name	TM1Q I/O	Function	Remarks
1	VBAT	I	Battery Voltage Supply Input	VBAT pins are internally shorted between them.
2				
53				
54				
3	GND	NA	Ground	GND pins are internally shorted between them.
6				
17				
32				
44				
49				
51				
52				
58				
59				
60				
61				
62				
63				

The operating range of VBAT must be between 3.5 V and 4.2 V, with a typical value of 3.8 V. The peak current value needed by the module could be up to 2.5 A during a GSM burst transmission.

Description	Min	Typ	Max
Supply voltage (VBAT) operating range	3.5 V	3.8 V	4.2 V

VBAT voltage is directly connected to the BaseBand integrated power management unit: all supply voltages needed are generated on-chip with integrated linear voltage regulators. The input of these linear voltage regulators is the battery voltage. The external memory and SIM card supply is provided by the on-chip voltage regulators.

The integrated power management also provides the control state machine for system start up, including start up with discharged batteries, pre-charging and system reset control.

VBAT voltage is directly connected also to the RF Power Amplifier.

BaseBand voltage regulators can be set by software in different ways. BaseBand part programs them at startup and every time changes are necessary.

Two hot spots can be considered: the RF Power Amplifier, and the BaseBand. The heat dissipation is based on the thermal resistance reduction around these two components by using a large number of vias in those regions.

5.2.2 Charger interface

For the battery charging functionalities the module is provided with an integrated circuitry and software. To connect the positive pole of the battery charger supply are available 3 pins reported below.

PIN #	TM1Q Signal Name	TM1Q I/O	Function	Remarks
4	VCHARGE	I	Charger Voltage Supply Input	VCHARGE and CHARGE_V_SENSE pins must be externally shorted between them.
5	VCHARGE	I	Charger Voltage Supply Input	VCHARGE and CHARGE_V_SENSE pins must be externally shorted between them.
64	CHARGE_V_SENSE	I	Charger Voltage Measurement Input	VCHARGE and CHARGE_V_SENSE pins must be externally shorted between them.

The VCHARGE pins (# 4, 5) represents the charger supply input. The CHARGE_V_SENSE pin (# 64) is connected to an ADC converter of the chipset to measure the charging voltage. These two pins must be externally shorted.

The negative pole of the charger must be connected to the GND pins.

Do not connect any battery charger at the VCHARGE pins if is not connected any battery to the VBAT pins: if a battery is not used or the battery charging is not activated the VCHARGE pins must be left unconnected.

In order to not damage the module and the battery is recommended the use of chargers that are compliant with the characteristics listed in this user manual.

The main features of the battery charger system implemented on TM1Q data module are listed in the following:

- Charger voltage range goes from 5 to 15 Volts while the charger current must be limited to 500 mA at any load condition;
- The supported battery voltage range goes from 3.1 V to 4.47 V;
- The charger circuitry generates the power on after battery connection or charger connection;
- The charging is optimized for current adjusted in the AC-DC wall adapter charger;
- Charger detection supported;
- Battery over-voltage detection, battery voltage monitoring;
- Protection against over-voltage integrated on the data module;
- Pre-charging (e.g. for deep discharged batteries);
- Software controlled charging supported.

In an electronic (switched) charger, the charge current is usually constant and defined by the electronics control in the charger. The shortest charge times can be reached with constant current charger.

The charger circuit can handle the normal AC supply frequency range from 50 to 60 Hz (dedicated SW must be implemented in the module).

The battery over-voltage detection is implemented for emergency switching off charging if e.g. the batteries are removed during charging or battery protection. The over-voltage level can be set by a register bit to 4.47 V.

The battery voltage monitoring function is implemented for system start up and shut down. It delivers the input signals for the PMU state machine. The shut down feature is implemented as an emergency shut down. A controlled shut down should be done by software after measuring the battery voltage using the measurement unit.

In the following figure is reported the block diagram related to the charger interface circuit.

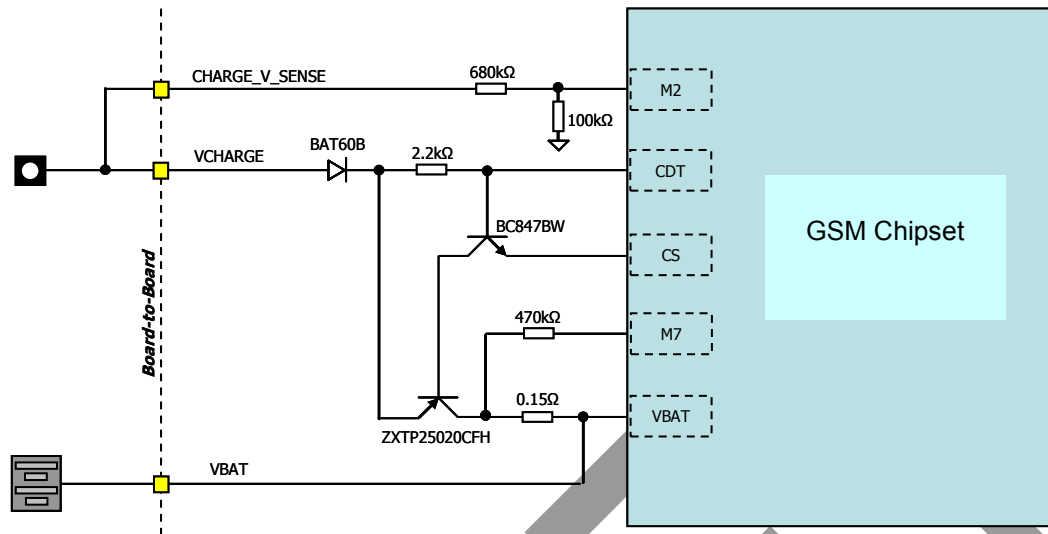


Figure 5-2-1: Charger interface circuit description

The power on reset is released if the battery voltage exceeds typical 2.5 V (2.25 V...2.85 V). The power on reset starts the LRTC regulator. The system is started by the PMU state machine.

If the batteries are deeply discharged (that means battery voltage is between 0 V and 3.1 V) and the device is off (or software has not disabled pre-charging) the charger circuits starts pre-charging beginning when an AC-DC wall adapter is connected to the module. In pre-charging the charge switch is pulsed with 100 Hz and a duty cycle of 12.5%. That means the average charge current is reduced to avoid overheating of the charger parts and to gentle charge the deeply discharged batteries. Pre-charging is hardware controlled and continued as long as the software switches off precharging.

If software is running, it can switch off the pre-charging function. That means the hardware will not start any charging after an AC-DC wall adapter was connected. The software is always informed when charger is connected & disconnected, so the charge switch (main controller of the charging process) can be controlled by software according to the software charge algorithm.

The duty cycle of the charge current never reach 100% so when the software closes the charge switch (transistor T1 is conducting) it is not closed for 100% of the time but still pulsed with a 100 Hz clock and its on-time is >99% of a period. The remaining off time is used to check if the AC-DC wall adapter is still connected since detection is critical when charging switch is closed.

The integrated charging circuit doesn't have any voltage or current limitation, therefore the charger must be chosen very carefully: see the below charger specification section.

During the fast charging, that follows the precharging phase, the battery is charged with constant current I which has to be limited by the charger appropriate selection. This current is monitored by the software with the aid of the series resistor R102=0.15 Ohm and by the measuring of the CHARGE_SENSE voltage and the battery voltage. If the charging current I exceeds the limit of 500 mA the charging is stopped to prevent circuit and battery damages. When the battery voltage reaches the nominal maximum voltage, the charging enters in the constant voltage phase where the average charging current decreases until the battery in completely charged.

The charging is enabled only if the module temperature is between the range 0°C to 40°C in order to satisfy the battery specification. In order to enhance the battery temperature estimation, optionally the module can use an external NTC temperature sensor in close thermal contact to the battery surface. The NTC has to be connected using the appropriate pin.

5.2.2.1 Charger specification

The maximum limit of voltage and current supported by the pin VCHARGE on the module are reported as follows:

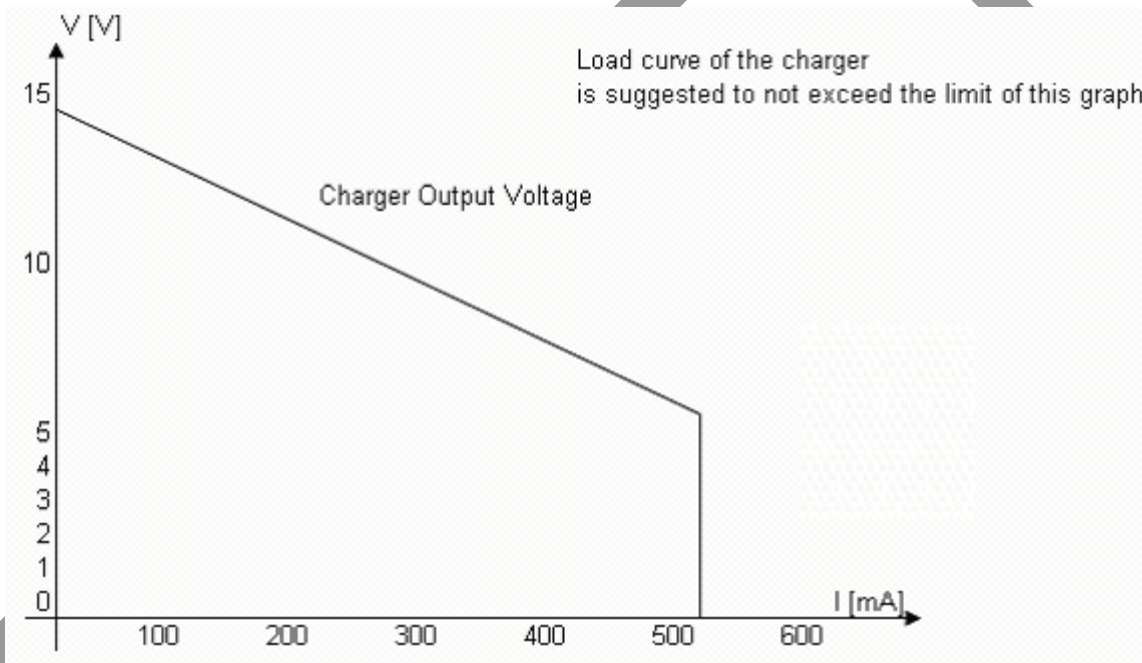
- Vin max: 15 V;
- Iin max: 500 mA.

The charger is detected through the signal CDT when inserted, the minimum threshold at the VCHARGE pin is 4.8V. The suggested characteristics of the charger are listed below:

- Vout min @ 0A: 5V;
- Vout max @ 0A: 15V;
- Iout max: 500mA @ 5V.

The user **must** use current limited charger. An electronic (switched) charger where the charge current is usually constant and defined by the electronics control in the charger is usually a good choice.

The charger required characteristics are reported in the following graph.



The limit of 500mA is relative to a battery with minimum 650 mAh of capacitance. The battery can have greater capacitance but for lower capacitance user has to reduce the charger current. Selection of very small charge batteries (< 400 mA) is not suggested unless a proper change (customization) in TELTONIKA SW allow to use it.

5.2.3 Real Time Clock supply output

The module provides pin 23 (VRTC) the Real Time Clock supply which is generated by the LRTC linear regulator of the power management unit integrated in the chipset.

PIN #	TM1Q Signal Name	TM1Q I/O	Function	Remarks
23	VRTC	O	Real Time Clock Supply Output	VRTC = 2.0 V (typical) is enabled if the battery voltage is inside the valid operating range.

5.2.4 Power saving

Power saving is a special function that allows the reducing of power consumption during the idle time. If the clock increases, required power increases too. Therefore a solution for minimizing the power is the reducing of the master clock frequency when there aren't activities. In this period the system doesn't work with a clock of 26 MHz ("fast clock") but with a clock of 32 kHz (RTC clock or "slow clock"). This switching between 26 MHz and 32 kHz clock is performed by SCCU (Standby Clock Control Unit) integrated in the baseband chipset.

When the module is registered or attached to a network and a voice or data call is not enabled, it has to monitor periodically the paging channel of the current base station (paging block reception), as every mobile station, according to the GSM system specifications and requirements. In between, the module switches over to a power saving mode, discontinuous reception (DRX).

The module processor core is activated during the paging block reception, so the module switches automatically its master clock frequency from the 32 kHz used in the power saving mode to the 26 MHz used in the active mode.

The time period from two paging block receptions is defined by the network. If the module is registered to a network, the time interval between two paging block receptions can be set from 470.76 ms up to 2118.42 ms.

Main priorities of power saving are the following:

1. Reduce base (min) current consumption;
2. Minimize full-speed running periods, minimize power saving on/off switching;
3. Reduce max current consumption.

These points are reported in the following figure:

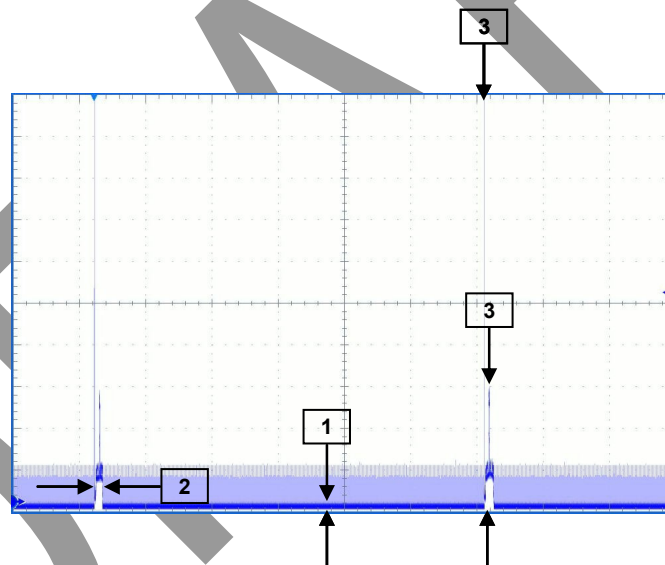


Figure 5-2-2: Module current consumption profile in GSM idle (DRX-5) with power saving priorities highlighted

More details related to the power saving and the serial port are described in the document [1.2].

This functionality can be disabled by the user through an AT command (more details on the document [1.1]).

5.2.5 Current consumptions

Current consumptions of the module are reported in the following table:

Status	Current Consumption
Power Off Mode	< 90 μ A
2G (GSM) Idle Mode @ DRX = 2	< 1.6 mA
2G (GSM) Talk Mode @ 850 / 900 MHz, PCL = 5 (P = 33dBm)	< 300 mA
2G (GSM) Talk Mode @ 1800 / 1900 MHz, PCL = 0 (P = 30dBm)	< 250 mA
2.5G (GPRS) attach mode @ DRX = 2	< 1.6 mA
2.5G (GPRS 4+1) TBF mode @ 850 / 900 MHz, PCL = 5 (P = 33dBm)	< 450 mA
2.5G (GPRS 4+1) TBF mode @ 1800 / 1900 MHz, PCL = 0 (P = 30dBm)	< 450 mA

Note: The current consumption of the module depends on network condition in all the listed modes except the power off mode and the airplane mode. The listed current consumption values are referred to the average current consumption of the whole module, with the module supplied by a 3.8V voltage rail.

5.3 Mechanical characteristics

The mechanical dimensions of the data module with shields mounted are: 32.75 mm x 20.8 mm x 2.87 mm.

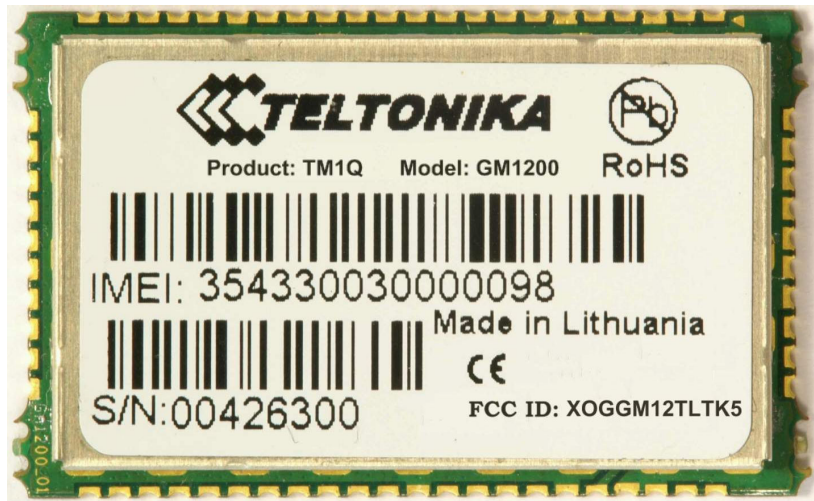


Figure 5-3.1: TM1Q module

The weight is less than 5 g.

No natural rubbers, no hygroscopic materials nor materials containing asbestos are employed.

6 Module interfaces

6.1 Pins overview

The TM1Q is equipped with 64 SMD pads to connect the module to the external application: the module can be soldered to customer PCB.

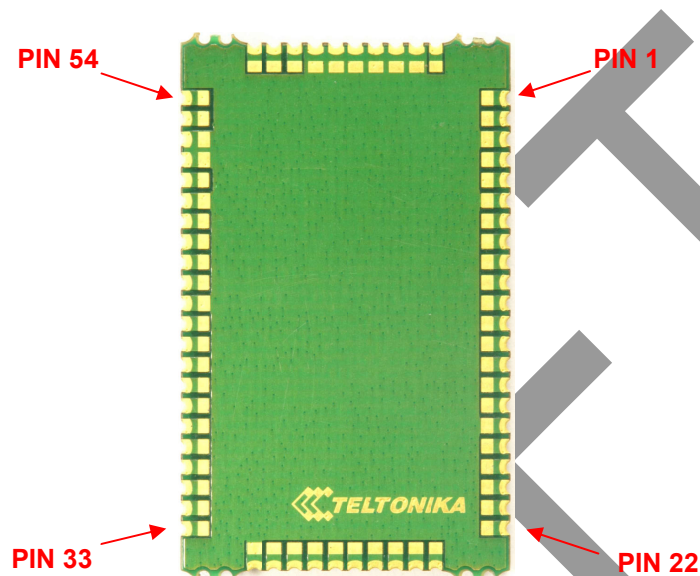


Figure 6-1: Module SMD pins

The following interfaces or functionalities are provided on the 64 SMD pins:

- Battery power supply input – see the section 5.2.1 of this document;
- Charger interface input – see the section 5.2.2 of this document;
- Power-on and Reset inputs – see the sections 6.2, 6.3, 6.4 of this document;
- RF antenna interface – see the section 6.5 of this document;
- SIM interface – see the section 6.6 of this document;
- Asynchronous serial interface (ASC) – see the section 6.7 of this document;
- Synchronous serial interface (SPI) – see the section 6.8 of this document;
- I2C bus serial interface – see the section 6.9 of this document;
- 6x4 keypad interface – see the section 6.10 of this document;;
- Two microphone inputs – see the section 5.1 of this document;
- Two speaker outputs – see the section 5.1 of this document;
- I2S digital audio interface – see the section 5.1.8 of this document;
- ADC converter input – see the section 6.11 of this document;
- External interrupt detection input – see the section 6.12 of this document;
- Two Capture/Compare inputs/outputs – see the section 6.13 of this document;
- Up to 24 GPIO inputs/outputs – see the section 6.14 of this document;
- Real Time Clock supply output – see the section 5.2.3 of this document;

The description of all the SMD pins is reported in the following table.

PIN #	TM1Q Signal Name	TM1Q I/O	Function	Remarks
1	VBAT	I	Battery Voltage Supply Input	VBAT pins are internally shorted between them.
2	VBAT	I	Battery Voltage Supply Input	VBAT pins are internally shorted between them.
3	GND	NA	Ground	GND pins are internally shorted between them.
4	VCHARGE	I	Charger Voltage Supply Input	VCHARGE and CHARGE_V_SENSE pins must be externally shorted between them.
5	VCHARGE	I	Charger Voltage Supply Input	VCHARGE and CHARGE_V_SENSE pins must be externally shorted between them.
6	GND	NA	Ground	GND pins are internally shorted between them.
7	KEYOUT0	I/O	GPIO	Generic digital interfaces voltage domain. Output driver class F. PU/PD class B. Value at reset: T.
		O	Keypad Output 0	
8	KEYOUT1	I/O	GPIO	Generic digital interfaces voltage domain. Output driver class F. PU/PD class B. Value at reset: T.
		O	Keypad Output 1	
9	KEYOUT2	I/O	GPIO	Generic digital interfaces voltage domain. Output driver class F. PU/PD class B. Value at reset: T.
		O	Keypad Output 2	
10	KEYOUT3	I/O	GPIO	Generic digital interfaces voltage domain. Output driver class F. PU/PD class B. Value at reset: T.
		O	Keypad Output 3	
11	KEYOUT4	I/O	GPIO	Generic digital interfaces voltage domain. Output driver class F. PU/PD class B. Value at reset: T.
		O	Keypad Output 4	
12	KEYOUT5	I/O	GPIO	Generic digital interfaces voltage domain. Output driver class F. PU/PD class B. Value at reset: T.
		O	Keypad Output 5	
13	KEYIN0	I/O	GPIO	Generic digital interfaces voltage domain. Output driver class F. PU/PD class B. Value at reset: T.
		I	Keypad Input 0	

PIN #	TM1Q Signal Name	TM1Q I/O	Function	Remarks
14	KEYIN1	I/O	GPIO	Generic digital interfaces voltage domain. Output driver class F. PU/PD class B. Value at reset: T.
		I	Keypad Input 1	
15	KEYIN2	I	Keypad Input 2	Generic digital interfaces voltage domain. Output driver class F. PU/PD class B. Value at reset: T.
		I/O	GPIO	
16	KEYIN3	I	Keypad Input 3	Generic digital interfaces voltage domain. Output driver class F. PU/PD class B. Value at reset: T.
		I/O	GPIO	
17	GND	NA	Ground	GND pins are internally shorted between them.
18	CAP00_EXIN5	I	Headset detection input	Generic digital interfaces voltage domain. Output driver class E. PU/PD class B. Value at reset: T/PD.
		I	External interrupt input	
		I/O	GPIO	
19	PWR_ON	I	Power-on input	Generic digital interfaces voltage domain. Output driver class F. PU/PD class A. Value at reset: T/PD.
20	CAP05_GPIO	I	SPI Interrupt Input	Generic digital interfaces voltage domain. Output driver class C. PU/PD class B. Value at reset: T/PD.
		I/O	Capture/Compare	
		I/O	GPIO	
21	CAP19_GPIO	I/O	Capture/Compare	Generic digital interfaces voltage domain. Output driver class C. PU/PD class B. Value at reset: T/PD.
		I/O	GPIO	
22	EXTRSTn	I	External reset input	External reset signal voltage domain.
23	VRTC	O	Real Time Clock Supply Output	VRTC = 2.0 V (typical) is enabled if the battery voltage is inside the valid operating range.
24	DSR	O	ASC data set ready (DSR in V.24 spec.)	Generic digital interfaces voltage domain. Output driver class B slow. PU/PD class A. Value at reset: T/PU.
		I/O	GPIO	
25	RI	O	ASC ring indicator (RI in V.24 spec.)	Generic digital interfaces voltage domain. Output driver class D. PU/PD class B. Value at reset: T/PD.
		I/O	GPIO	

PIN #	TM1Q Signal Name	TM1Q I/O	Function	Remarks
26	DCD	O	ASC data carrier detect (DCD in V.24 spec)	Generic digital interfaces voltage domain. Output driver class D. PU/PD class B. Value at reset: T/PD.
		I/O	GPIO	
27	DTR	I	ASC data terminal ready (DTR in V.24 spec.)	Generic digital interfaces voltage domain. Output driver class B. PU/PD class B. Value at reset: T/PD.
		I/O	GPIO	
28	CTS	I	ASC clear to send (RTS in V.24 spec.)	Generic digital interfaces voltage domain. Output driver class C. PU/PD class B. Value at reset: T/PD.
		I/O	GPIO	
29	RTS	O	ASC ready to send (CTS in V.24 spec)	Generic digital interfaces voltage domain. Output driver class F. PU/PD class C. Value at reset: T/PU.
		I/O	GPIO	
30	RXD	I	ASC received data (TX in V.24 spec)	Generic digital interfaces voltage domain. Output driver class E. PU/PD class C. Value at reset: T.
31	TXD	O	ASC transmitted data (RX in V.24 spec)	Generic digital interfaces voltage domain. Output driver class E. PU/PD class C. Value at reset: T.
32	GND	NA	Ground	GND pins are internally shorted between them.
33	WA0_DAI	O	SPI sync data (MOSI)	Generic digital interfaces voltage domain. Output driver class D. PU/PD class B. Value at reset: T.
		O	I2S word alignment	
		I/O	GPIO	
34	TXD_DAI	O	SPI chip select	Generic digital interfaces voltage domain. Output driver class D. PU/PD class B. Value at reset: T.
		O	I2S transmit data	
		I/O	GPIO	
35	CLK0_DAI	O	SPI clock	Generic digital interfaces voltage domain. Output driver class D. PU/PD class B. Value at reset: T.
		O	I2S clock	
		I/O	GPIO	
36	RXD_DAI	I	SPI sync data (MISO)	Generic digital interfaces voltage domain. Output driver class D. PU/PD class B. Value at reset: T.
		I	I2S receive data	
		I/O	GPIO	

PIN #	TM1Q Signal Name	TM1Q I/O	Function	Remarks
37	SCL	O	I2C bus clock line	I2C interface voltage domain. Fixed open drain. External pull-up required. Value at reset: T/OD.
		I/O	GPIO	
38	SDA	I/O	I2C bus data line	I2C interface voltage domain. Fixed open drain. External pull-up required. Value at reset: T/OD.
		I/O	GPIO	
39	SIM_CLK	O	SIM clock	SIM interface voltage domain. Output driver class E. PU/PD class B. Value at reset: L.
40	SIM_IO	I/O	SIM data	SIM interface voltage domain. Output driver class E. PU/PD class B. Value at reset: OD/L.
41	SIM_RST	O	SIM reset	SIM interface voltage domain. Output driver class E. PU/PD class B. Value at reset: L.
42	SIM_VCC	O	SIM supply output	VSIM = 1.80 V typical if SIM card = 1.8V type or VSIM = 2.85 V typical if SIM card = 3.0V type
43	ADC1	I	Analog-to-Digital Converter input	Resolution: 12 bits Voltage span: 0V-1.92V
44	GND	NA	Ground	GND pins are internally shorted between them.
45	AUOP	O	High power differential analog audio output	Used in ring tones or in hands free mode
46	AUON	O	High power differential analog audio output	Used in ring tones or in hands free mode
47	MIC_GND1	I	First microphone analog reference	Local ground of the first microphone
48	MIC_BIAS1	I	First microphone analog bias	Single ended supply output and signal input for the first microphone. Used in handset or in hands free mode
49	GND	NA	Ground	GND pins are internally shorted between them.
50	ANT	I/O	RF antenna	50Ω nominal impedance
51	GND	NA	Ground	GND pins are internally shorted between them.

PIN #	TM1Q Signal Name	TM1Q I/O	Function	Remarks
52	GND	NA	Ground	GND pins are internally shorted between them.
53	VBAT	I	Battery Voltage Supply Input	VBAT pins are internally shorted between them.
54	VBAT	I	Battery Voltage Supply Input	VBAT pins are internally shorted between them.
55	MIC_BIAS2	I	Second microphone analog bias	Single ended supply output and signal input for the second microphone. Used in headset mode
56	MIC_GND2	I	Second microphone analog reference	Local ground of the second microphone
57	EPPA	O	Low power single-ended analog audio output	Used in handset or in headset mode
58	GND	NA	Ground	GND pins are internally shorted between them.
59	GND	NA	Ground	GND pins are internally shorted between them.
60	GND	NA	Ground	GND pins are internally shorted between them.
61	GND	NA	Ground	GND pins are internally shorted between them.
62	GND	NA	Ground	GND pins are internally shorted between them.
63	GND	NA	Ground	GND pins are internally shorted between them.
64	CHARGE_V_SENSE	I	Charger Voltage Measurement Input	VCHARGE and CHARGE_V_SENSE pins must be externally shorted between them.

Several pins are able to provide more than one function: up to three functionalities can be available on the same pin by means of software setting. In the column "Function" of the previous table is reported the description of the available functionalities on the relative pin and in the column "TM1Q I/O" of the previous table is reported the signal direction from the module point of view of the relative pin functionality.

In the column "Remarks" of the previous table are reported some additional information regarding the type of the pin, the voltage domain, the output driver class, the pull-up and pull-down class, the value at reset.

The pins can be classified in different types, with different characteristics and voltage domains:

- Supply/power pins:
 - Battery supply input
 - Charger input
 - SIM supply output
 - Real Time Clock supply output
- Digital pins:
 - Generic digital interfaces
 - I2C interface
 - SIM interface
 - EXTRSTn signal
- Audio pins:
 - Microphones bias and reference input
 - Low power single-ended analog audio output
 - High power differential analog audio output

- ADC pin
- RF antenna pin

Each digital pin has different electrical characteristics as output driver, so there is this classification:

- output driver class B slow
- output driver class B
- output driver class C
- output driver class D
- output driver class E
- output driver class F

Each digital pin has different pull-up and pull-down characteristics, so there is this classification:

- pull-up / pull-down class A
- pull-up / pull-down class B
- pull-up / pull-down class C

The detailed description of the electrical characteristics of all the different pin types can be found in the section 7 of this document.

During the power-on and power-off sequence or whenever no proper operation of the outputs can be guaranteed, the digital pins of the module are set to tristate, or are in a proper reset configuration if the module is in the reset state (see the sections 6.2, 6.3, 6.4 of this document).

Each digital pin has different value during the reset state of the module, briefly summarized in the column "Remarks" of the previous table with the following acronyms:

- T = Tristate (output driver disabled)
- PU = Pull Up
- PD = Pull Down
- OD = Open Drain
- L = Low level
- H = High level

If the module is soldered on a customized board, special care must be taken on the layout design of the board for the pads extension, which should be extended on outer side to increase solder paste volume and allow soldering on board plated edge.

Note: If a pin is not used, it can be left unconnected: it will be configured by software to a fixed logic level to minimize the power consumption.

6.2 Module power on

The power on sequence of the module is initiated in one of four ways:

- Connection of a battery with a valid voltage
- Falling edge on the pin 19 (PWR_ON signal)
- RTC alarm
- Connection of a charger with a valid voltage

When a battery supply is connected to the VBAT pins a battery supervision circuit controls the subsequent activation of the power up state machines: the module is switched-on if the battery is connected for the first time and the voltage rises up to the valid limit of operation ($V_{BAT} > 3.16$ V). This is done to allow the battery management software to detect when the battery has been exchanged or re-inserted. This information is used to reset timers used for battery capacity estimation in some estimation concepts, since these are no longer valid if a new battery is inserted.

The module can be switched-on using the pin 19 (PWR_ON signal). The voltage on this pin is pulled to the high level on the module. The power-on sequence starts when a falling edge occurs on the PWR_ON signal. This pin is connected with the ON push button: when the button is pressed, the signal is shorted to ground. Since the BaseBand needs a rising edge on the SWITCH_ON input pin to switch on, a PNP transistor is inserted between the PWR_ON signal and the SWITCH_ON pin to provide the correct voltage level.

PIN #	TM1Q Signal Name	TM1Q I/O	Function	Remarks
19	PWR_ON	I	Power-on input	Generic digital interfaces voltage domain. Output driver class F. PU/PD class A. Value at reset: T/PD.

The PWR_ON signal is also connected to the RSTOUT_N pin of the BaseBand which is used to sense the state of the power-on push button.

In the following figure is reported the power-on circuit of the module:

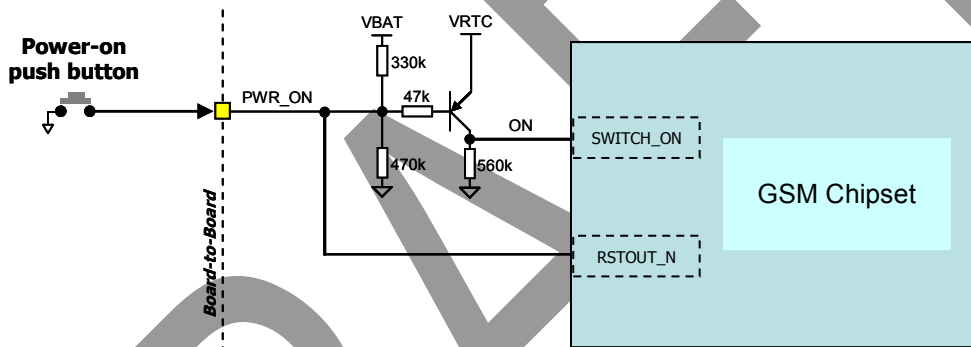


Figure 6-2-1: Power on circuit

The module can be switched-on by the RTC alarm, when Real Time Clock system reaches a pre-defined scheduled time. The RTC system will then initiate the boot sequence by indicating to the power management unit to turn on power. Also included in this setup is an interrupt signal from the RTC block to indicate to the baseband processor, that a RTC event has occurred.

The module can be switched-on by a charger: if the power management unit detects that a charger is connected to the module, it turns on power and the module is switched on in a charge only mode.

In order to avoid an excessive drop on the battery voltage caused by in-rush current during system power-on, possibly leading to system instability and “hick-ups”, a staggered turn-on approach for the regulators is implemented. The regulators are turned on in a well defined sequence, thus spreading the in-rush current transients over time.

If a valid battery voltage is connected to VBAT pins, before the detection of a start-up event, most input-output pads of the baseband chipset are locked in tristate. The power down tristate function isolates the outputs of the module from its environment, whenever no proper operation of the outputs can be guaranteed. As shown in the power-on sequence figure, the tristate function is controlled by the baseband signals RESET_BB_N and PM_INT: the pads are locked in tristate during the first power-on sequence phases. The tristate function ensures that the chip is isolated from the board but, depending on the pull-up or pull-down controls, it may not result necessarily in a Hi-Z state.

Then, during the power-on sequence, the baseband core is held in reset state before enabling the input-output pads, to avoid uncontrollable output signals during power-on. Inside baseband chipset the reset logic is part of the RTC supply domain which is always powered up. This allows to power up the baseband core regulator and waits for the core to reach reset state before powering up the I/O supply regulators.

The reset state of all the module input-output pads is reported in the pins description table (in the column “Remarks”) reported in the section 6.1 of this document.

The complete power-on sequence of the module is shown in the following figure:

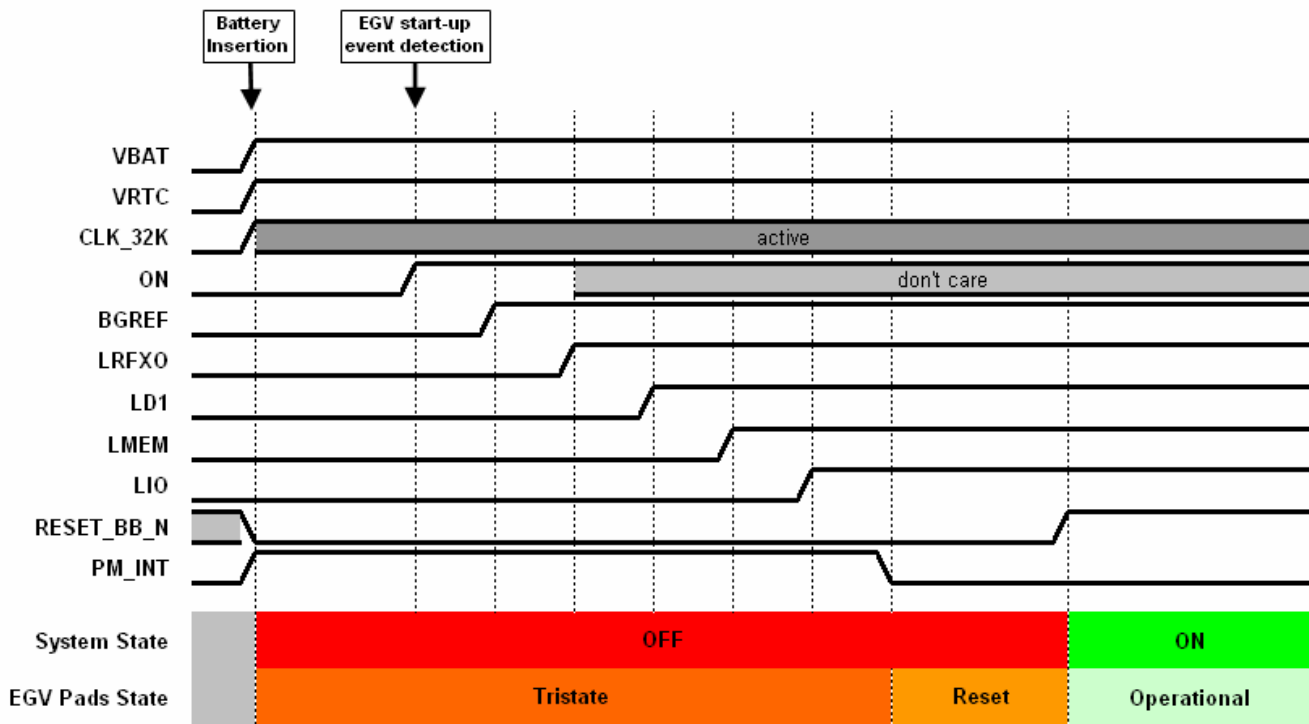


Figure 6-2-2: Power on sequence

The following table shows the complete details of the power up timing including the delays between each step.

Sequence	Function	Typical time for activation of next sequence step	Cumulative typical time from EGV start-up event detection
0	Battery Insertion		
1	EGV start-up event detection	20.48 ms	0.00 ms
2	Bandgap circuit activated	1.28 ms	20.48 ms
3	LRFXO activated	0.16 ms	21.76 ms
4	LD1 activated	0.64 ms	21.92 ms
5	LMEM activated	0.16 ms	22.56 ms
6	LIO activated	1.28 ms	22.72 ms
7	PM_INT low	20.48 ms	24.00 ms
8	RESET_BB_N released		44.48 ms

6.3 Module power off

The module can be switched-off by the user through the AT command AT+CPWROFF. This is the only way to switch off the module. An undervoltage shutdown can be forced by the controller if the battery voltage goes out of the valid limit of operation.

After a turn-off event has been triggered the signal PM_INT is set high and after one clock cycle RESET_BB_N is set low. This forces the digital pins to tristate mode. After one further counter cycle all power supplies except LRTC are turned off.

The complete power-off sequence of the module is shown in the following figure:

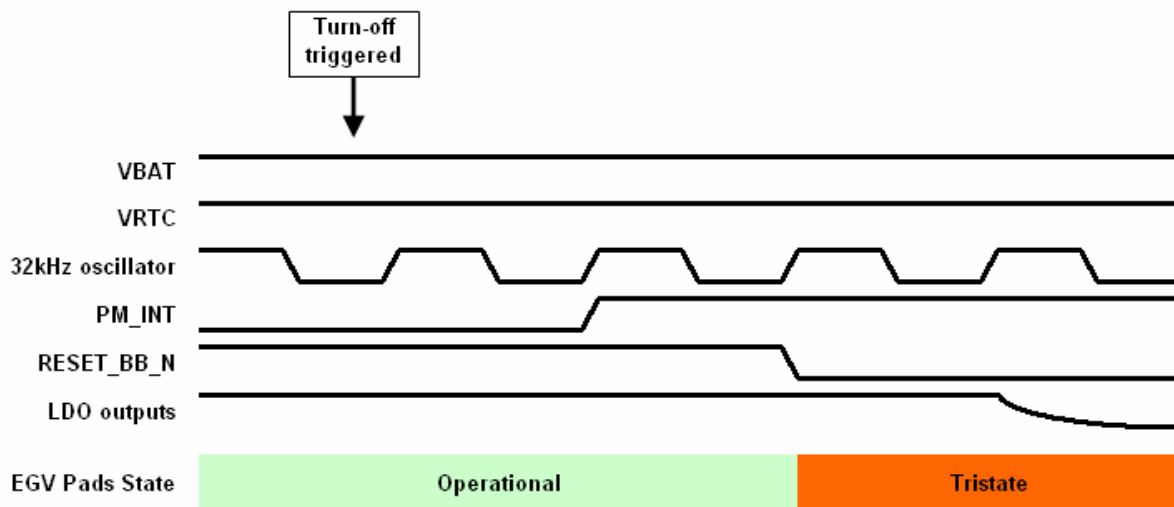


Figure 6-3-1: Power off sequence

6.4 Module reset

To reset the module the pin 22 (EXTRSTn) must be used: this pin performs an external reset, also called hardware reset. Driving the EXTRSTn pin low causes an asynchronous reset of the entire device except for the Real Time Clock block (RTC). The device then enters its power-on reset sequence.

PIN #	TM1Q Signal Name	TM1Q I/O	Function	Remarks
22	EXTRSTn	I	External reset input	External reset signal voltage domain.

If the module is connected to its adapter board and then to its mother board, the EXTRSTn will be connected to the reset push button mounted on the mother board: when the button is pressed, the signal is shorted to ground and the module reset is performed.

6.5 RF antenna interface

The SMD pad 50 (ANT signal) has an impedance of 50Ω and provides the RF antenna interface. The two pads close to the ANT pin (pads 49 and 51) are ground pads and must be used to provide the connection of the RF antenna to the grounding plane.

PIN #	TM1Q Signal Name	TM1Q I/O	Function	Remarks
50	ANT	I/O	RF antenna	50Ω nominal impedance

If the module is soldered on its adapter board, a connection to an SMA connector mounted on the adapter board is provided to directly connect an antenna with an SMA connector.

If the module is soldered on a customized board, special care must be taken on the layout design for the RF antenna pad which needs to be designed for 50 Ω impedance.

6.6 SIM interface

A SIM card interface is provided on the pins of the module; the high-speed SIM/ME interface is implemented as well as the automatic detection of the required SIM supporting voltage.

Both 1.8 V and 3 V SIM type will be supported (1.8 V and 3 V ME); activation and deactivation with automatic voltage switch from 1.8 V to 3 V are implemented, according to ISO-IEC 78-16-e Specifications. The SIM driver supports the PPS (Protocol and Parameter Selection) procedure for baud-rate selection, according to the values proposed by the SIM Card. Clock stop is supported at both high and low level.

The description of the pins related to the SIM interface is reported in the following table:

PIN #	TM1Q Signal Name	TM1Q I/O	Function	Remarks
39	SIM_CLK	O	SIM clock	SIM interface voltage domain. Output driver class E. PU/PD class B. Value at reset: L.
40	SIM_IO	I/O	SIM data	SIM interface voltage domain. Output driver class E. PU/PD class B. Value at reset: OD/L.
41	SIM_RST	O	SIM reset	SIM interface voltage domain. Output driver class E. PU/PD class B. Value at reset: L.
42	SIM_VCC	O	SIM supply output	VSIM = 1.80 V typical if SIM card = 1.8V type or VSIM = 2.85 V typical if SIM card = 3.0V type

6.6.1 SIM functionality

Among SIM functionalities, the following services of the SIM are supported:

- Abbreviated Dialing Numbers (ADN);
- Fixed Dialing Numbers (FDN);
- Last Dialed Numbers (LDN);
- Service Dialing Numbers (SDN);
- ME Personalization (SIM Lock).

ME Personalization handling is a mechanism to tie the ME operation to one specific SIM card or to a limited range of SIM cards from a given Network Operator or Service Provider. The ME will only accept the SIM if there is a positive match between the personalization code group(s) stored in the ME and the code group(s) belonging to the inserted SIM.

The SIM Lock feature supported by TM1Q module enables ME personalization through the following personalization categories:

- Network lock;
- Network subset lock;
- Service provider lock;
- Corporate lock;
- Operator lock.

SIM Toolkit R99 is supported.

DRAFT

6.7 Asynchronous serial interface (ASC)

The asynchronous serial interface (ASC) relies on the Asynchronous Serial Controller hardware block provided by the baseband core.

ASC features are:

- Complete 9-pin serial port in compliance with the ITU V.24 specifications [E.1] (i.e. a complete RS-232 low voltage interface with hardware flow control is available);
- The maximum data rate is 921600 bps for software download;
- Intermediate data rates can be 2400, 4800, 9600, 19200, 38400, 57600, 115200, 230400, 460800 bps with No/Even/Odd parity, 7 or 8 bit frame length;
- Power saving CTS indication available at the interface (see [I.2]).

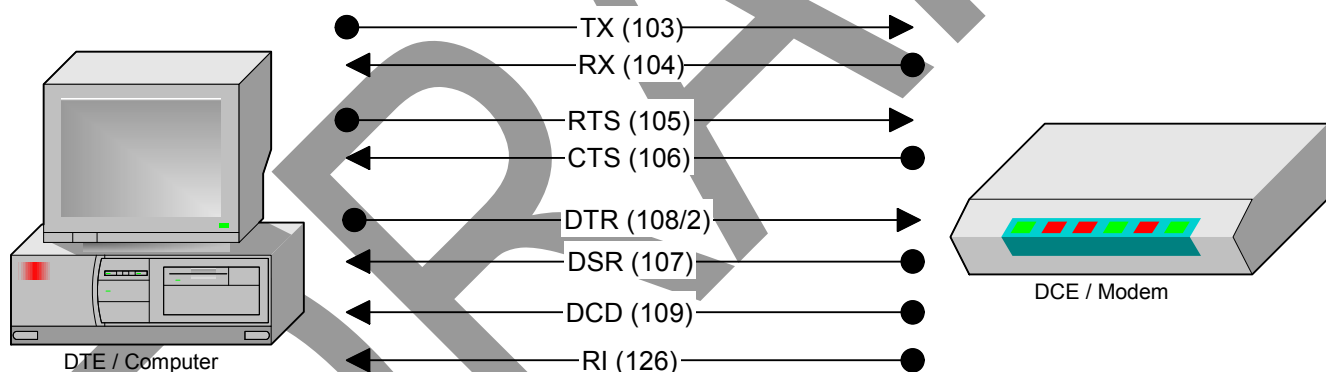
Software services available at ASC:

- AT interface in compliance with GSM 27.007 [E.2]: the default speed for the AT interface is 115200 bps, the maximum speed is 230400 bps (see [I.1]);
- MUX protocol available in compliance with GSM 27.010 [E.3];
- TELTONIKA_M2M software can be configured to access this port for customer specific usage.

The serial port is limited to 921600 bps due to the FTDI level translator (serial to USB converter) of the motherboard.

A more detailed description regarding software services and serial port behavior of the module is provided by the Teltonika document [I.2].

This is the ITU V.24 signals naming convention [E.1]: the module is a Data Communication Equipment (DCE), which is a modem; the external host processor or the PC is the Data Terminal Equipment (DTE).



ITU V.24 conventional directions are in the previous figure like circuits numbers; please note that the hardware names of the module pins do not necessary reveal the ITU V.24 functionality.

To download the code, only the two data lines (TXD and RXD) can be used. The other lines (CTS, RTS, DSR, RI, DCD and DTR) can be configured as GPIO.

The description of the pins related to ASC interface is reported in the following table:

PIN #	TM1Q Signal Name	TM1Q I/O	Function	Remarks
24	DSR	O	ASC data set ready (DSR in V.24 spec.) GPIO	Generic digital interfaces voltage domain. Output driver class B slow. PU/PD class A. Value at reset: T/PU.
		I/O		
25	RI	O	ASC ring indicator (RI in V.24 spec.) GPIO	Generic digital interfaces voltage domain. Output driver class D. PU/PD class B. Value at reset: T/PD.
		I/O		
26	DCD	O	ASC data carrier detect (DCD in V.24 spec)	Generic digital interfaces voltage domain. Output driver class B. PU/PD class B. Value at reset: T/PD.
		I/O		
27	DTR	I	ASC data terminal ready (DTR in V.24 spec.) GPIO	Generic digital interfaces voltage domain. Output driver class C. PU/PD class B. Value at reset: T/PD.
		I/O		
28	CTS	I	ASC clear to send (RTS in V.24 spec.) GPIO	Generic digital interfaces voltage domain. Output driver class F. PU/PD class C. Value at reset: T/PU.
		I/O		
29	RTS	O	ASC ready to send (CTS in V.24 spec) GPIO	Generic digital interfaces voltage domain. Output driver class E. PU/PD class C. Value at reset: T.
		I/O		
30	RXD	I	ASC received data (TX in V.24 spec)	Generic digital interfaces voltage domain. Output driver class E. PU/PD class C. Value at reset: T.
31	TXD	O	ASC transmitted data (RX in V.24 spec)	Generic digital interfaces voltage domain. Output driver class E. PU/PD class C. Value at reset: T.

6.7.1 MUX protocol

The module has a software layer with MUX functionality, GSM 27.010 multiplexer protocol. It is a data link protocol (layer 2 of OSI model) which uses HDLC-like framing and operates between the module (DCE) and the application processor (DTE). It allows a number of simultaneous sessions over the physical link, the UART. Each session consists of a stream of bytes transferring various kinds of data like SMS, CBS, GPRS, AT commands in general. This permits, for example, SMS to be transferred to the DTE when a data connection is in progress.

The MUX is implemented in the basic option.

6.8 Synchronous serial interface (SPI)

The module provides on the pins a synchronous SPI-compatible serial interface implemented with the synchronous serial controller hardware block of the baseband. The SPI is a master-slave protocol: the module runs as an SPI master device.

The SPI interface includes basically these signals to transmit and receive data and to synchronize them:

- MOSI (master output, slave input) signal which is an output for the module while it runs as SPI master;
- MISO (master input, slave output) signal which is an input for the module while it runs as SPI master;
- Clock signal which is an output for the module while it runs as SPI master;
- Optional chip select signal which is an output for the module while it runs as SPI master.

Since all the SPI interface pins provides alternative functionalities by means of software settings, the SPI interface is available on the data module only if the I2S digital audio interface is disabled.

Through a specific software configuration, it is possible to configure the SPI interface as a complete 9-wire second asynchronous serial port which can be used for tracing purposes. To implement this second serial port an external SPI/RS-232 converter is needed (the converter is already present on the module mother board), as well as an external interrupt input (the pin 20, which is the CAP05_GPIO signal).

If a customer application is implemented on the data module and TELTONIKA_M2M Software Package is integrated on the data module then the functionality of the pins dedicated to SPI interface can be changed: in this case these pins can be assigned to GPIO interface; with this configuration I2S digital audio interface and SPI interface are not enabled.

The description of the pins related to SPI interface is reported in the following table:

PIN #	TM1Q Signal Name	TM1Q I/O	Function	Remarks
20	CAP05_GPIO	I	SPI Interrupt Input	Generic digital interfaces voltage domain. Output driver class C. PU/PD class B. Value at reset: T/PD.
		I/O	Capture/Compare	
		I/O	GPIO	
33	WA0_DAI	O	SPI sync data (MOSI)	Generic digital interfaces voltage domain. Output driver class D. PU/PD class B. Value at reset: T.
		O	I2S word alignment	
		I/O	GPIO	
34	TXD_DAI	O	SPI chip select	Generic digital interfaces voltage domain. Output driver class D. PU/PD class B. Value at reset: T.
		O	I2S transmit data	
		I/O	GPIO	
35	CLK0_DAI	O	SPI clock	Generic digital interfaces voltage domain. Output driver class D. PU/PD class B. Value at reset: T.
		O	I2S clock	
		I/O	GPIO	
36	RXD_DAI	I	SPI sync data (MISO)	Generic digital interfaces voltage domain. Output driver class D. PU/PD class B. Value at reset: T.
		I	I2S receive data	
		I/O	GPIO	

6.9 I2C bus interface

The module provides pins of I2C bus interface, which includes serial data line and clock line. The slave mode operation of the baseband I2C hardware block is not supported, so the module acts as master only. The I2C bus interface is available to the user only if TELTONIKA_M2M Software Package is integrated on the data module.

As required by the I2C bus specifications, the module pads of the I2C bus interface are open drain output and pull up resistors must be used. Since the pull-up resistors are not mounted on the module, they have to be mounted externally. The value of the resistors has to match the I2C bus specifications. If only one device is connected to the I2C bus, the suggested value for pull up resistors is 4.7 kOhm. If the pins are not used as I2C bus interface, they can be left unconnected.

All the I2C interface pins can be configured as GPIO by means of software setting.

The description of the pins related to I2C bus interface is reported in the following table:

PIN #	TM1Q Signal Name	TM1Q I/O	Function	Remarks
37	SCL	O	I2C bus clock line	I2C interface voltage domain. Fixed open drain. External pull-up required. Value at reset: T/OD.
		I/O	GPIO	
38	SDA	I/O	I2C bus data line	I2C interface voltage domain. Fixed open drain. External pull-up required. Value at reset: T/OD.
		I/O	GPIO	

6.10 Keypad interface

The data module provides pins, a keypad interface which can be used for scanning keypads up to 6 rows and 4 columns. The module pads used as columns are programmed to input with internal pull-up activated when used for the keypad functionality.

All the keypad interface pins except KEYIN2 (pin 15) can be configured as GPIO by software setting. The description of the pins related to keypad interface is reported in the following table:

PIN #	TM1Q Signal Name	TM1Q I/O	Function	Remarks
7	KEYOUT0	I/O	GPIO	Generic digital interfaces voltage domain. Output driver class F. PU/PD class B. Value at reset: T.
		O	Keypad Output 0	
8	KEYOUT1	I/O	GPIO	Generic digital interfaces voltage domain. Output driver class F. PU/PD class B. Value at reset: T.
		O	Keypad Output 1	
9	KEYOUT2	I/O	GPIO	Generic digital interfaces voltage domain. Output driver class F. PU/PD class B. Value at reset: T.
		O	Keypad Output 2	
10	KEYOUT3	I/O	GPIO	Generic digital interfaces voltage domain. Output driver class F. PU/PD class B. Value at reset: T.
		O	Keypad Output 3	
11	KEYOUT4	I/O	GPIO	Generic digital interfaces voltage domain. Output driver class F. PU/PD class B. Value at reset: T.
		O	Keypad Output 4	
12	KEYOUT5	I/O	GPIO	Generic digital interfaces voltage domain. Output driver class F. PU/PD class B. Value at reset: T.
		O	Keypad Output 5	
13	KEYIN0	I/O	GPIO	Generic digital interfaces voltage domain. Output driver class F. PU/PD class B. Value at reset: T.
		I	Keypad Input 0	
14	KEYIN1	I/O	GPIO	Generic digital interfaces voltage domain. Output driver class F. PU/PD class B. Value at reset: T.
		I	Keypad Input 1	
15	KEYIN2	I	Keypad Input 2	Generic digital interfaces voltage domain. Output driver class F. PU/PD class B. Value at reset: T.
16	KEYIN3	I/O	GPIO	Generic digital interfaces voltage domain. Output driver class F. PU/PD class B. Value at reset: T.
		I	Keypad Input 3	

6.11 ADC input

One Analog to Digital Converter input is available on the pin 43 (ADC1) and can be configured via proprietary AT commands. The resolution of this converter is 12-bit with a single ended input range of 0-1.92V.

The electrical behavior of the measurement circuit in voltage mode can be modeled by the equivalent network according to the following figure, containing a resistor (R_{eq}), a voltage source (U_{eq}), an analog preamplifier with typical gain $G=0.5$, a digital amplifier with typical gain $g_{ADC}=2048$ LSB/V.

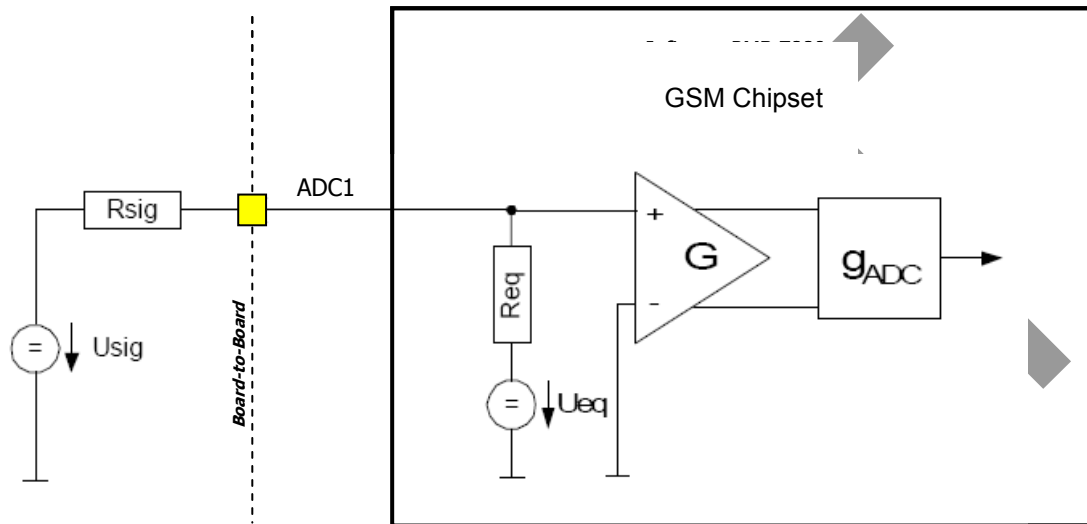


Figure 6-11-1: Equivalent network for ADC single-ended measurement

The ADC software driver takes care of the parameter described in the equivalent network (R_{eq} , U_{eq} , G , g_{ADC}), but the voltage measurement result is supposed on an ideal voltage source signal (U_{sig}) with series resistance $R_{sig}=0$. If the series resistance is not so different from the R_{eq} value, the ADC must be recalibrated to correctly evaluate U_{sig} . A detailed description of the electrical characteristics of the ADC input (with R_{eq} , U_{eq} values) is reported in the section 7.2.4 of this document.

The description of the pin related to ADC input is reported in the following table:

PIN #	TM1Q Signal Name	TM1Q I/O	Function	Remarks
43	ADC1	I	Analog-to-Digital Converter input	Resolution: 12 bits Voltage span: 0V-1.92V

6.12 External interrupt input

The data module provides a pin connected to the baseband Interrupt Control Unit: the CAP00_EXIN5 line (pin 18) can be configured to support external interrupt detection and can be also configured to support the headset detection functionality. In this second case the audio path is automatically switched from handset mode to headset mode when a rising edge is detected on this line (see the section 5.1.2 of this document for a detailed description).

In case a customer application is implemented on the data module and TELTONIKA_M2M Software Package is present, the CAP00_EXIN5 pin can be used as interrupt detection. When the TELTONIKA_M2M Software Package is not present, this pin can be used as generic GPIO.

The description of the pin related to external interrupt is reported in the following table:

PIN #	TM1Q Signal Name	TM1Q I/O	Function	Remarks
18	CAP00_EXIN5	I	Headset detection input	Generic digital interfaces voltage domain. Output driver class E. PU/PD class B. Value at reset: T/PD.
		I	External interrupt input	
		I/O	GPIO	

6.13 CAPCOM inputs/outputs

The module provides two pins connected to the Capture Compare Timer Unit integrated in the baseband chipset. Each CAPCOM channel can capture the contents of a timer on specific internal or external events, or can compare a timer's content with given values and modify output signals in case of a match. With this mechanism a CAPCOM block supports generation and control of timing sequences and allows performing very flexible pulse width modulation (PWM) signals.

A CAPCOM block can generate up to 10 interrupts which can be coupled to the events in the individual channels or used as simple interrupts on pin signals or as simple SW controlled timer interrupts.

The CAPCOM unit consist of two 16-bit timer which can be used either for capture or compare purposes.

In case a customer application is implemented on the data module and TELTONIKA_M2M Software Package is present, the CAP05_GPIO and CAP19_GPIO pins can be used as CAPCOM functionality. When TELTONIKA_M2M Software Package is not present, these pins can be used as generic GPIOs. The CAP05_GPIO pin is also used as SPI Interrupt Input.

The description of the pins related to CAPCOM I/O is reported in the following table:

PIN #	TM1Q Signal Name	TM1Q I/O	Function	Remarks
20	CAP05_GPIO	I	SPI Interrupt Input	Generic digital interfaces voltage domain. Output driver class C. PU/PD class B. Value at reset: T/PD.
		I/O	Capture/Compare	
		I/O	GPIO	
21	CAP19_GPIO	I/O	Capture/Compare	Generic digital interfaces voltage domain. Output driver class C. PU/PD class B. Value at reset: T/PD.
		I/O	GPIO	
		I	SPI Interrupt Input	

6.14 GPIO

The data module provides up to 24 General Purpose Input/Output (GPIO) which can be configured via proprietary AT commands. Since most baseband digital pads may be configured to be used as GPIO or can be connected to one of the several internal hardware blocks of the baseband chipset, the effective number of available GPIO is dependent on the number of digital interfaces enabled by the user. So the effective number of GPIO is basically software dependent.

The configuration of the GPIO can be implemented by means of software setting, through the TELTONIKA_M2M Software Package and AT commands. All GPIOs configurable by the user should be initialized to proper direction and logic level as soon as possible after the power on of the module.

Not used and not connected GPIOs should be configured that power consumption is minimized. Therefore the unused pins should be programmed to a fixed logic level: can be set in GPIO output mode, driving ground or high level, with internal pullup and pulldown resistors disabled; otherwise can be set in GPIO input mode, with internal pullup or pulldown resistors enabled.

The description of the pins related configurable as GPIO is reported in the following table:

PIN #	TM1Q Signal Name	TM1Q I/O	Function	Remarks
7	KEYOUT0	I/O	GPIO	Generic digital I/F voltage domain. Output driver class F. PU/PD class B. Value at reset: T.
		O	Keypad Output 0	
8	KEYOUT1	I/O	GPIO	Generic digital I/F voltage domain. Output driver class F. PU/PD class B. Value at reset: T.
		O	Keypad Output 1	
9	KEYOUT2	I/O	GPIO	Generic digital I/F voltage domain. Output driver class F. PU/PD class B. Value at reset: T.
		O	Keypad Output 2	
10	KEYOUT3	I/O	GPIO	Generic digital I/F voltage domain. Output driver class F. PU/PD class B. Value at reset: T.
		O	Keypad Output 3	
11	KEYOUT4	I/O	GPIO	Generic digital I/F voltage domain. Output driver class F. PU/PD class B. Value at reset: T.
		O	Keypad Output 4	
12	KEYOUT5	I/O	GPIO	Generic digital I/F voltage domain. Output driver class F. PU/PD class B. Value at reset: T.
		O	Keypad Output 5	
13	KEYIN0	I/O	GPIO	Generic digital I/F voltage domain. Output driver class F. PU/PD class B. Value at reset: T.
		I	Keypad Input 0	
14	KEYIN1	I/O	GPIO	Generic digital I/F voltage domain. Output driver class F. PU/PD class B. Value at reset: T.
		I	Keypad Input 1	

PIN #	TM1Q Signal Name	TM1Q I/O	Function	Remarks
16	KEYIN3	I/O	GPIO	Generic digital I/F voltage domain. Output driver class F. PU/PD class B. Value at reset: T.
		I	Keypad Input 3	
18	CAP00_EXIN5	I	Headset detection input	Generic digital I/F voltage domain. Output driver class E. PU/PD class B. Value at reset: T/PD.
		I	External interrupt input	
		I/O	GPIO	
20	CAP05_GPIO	I	SPI Interrupt Input	Generic digital I/F voltage domain. Output driver class C. PU/PD class B. Value at reset: T/PD.
		I/O	Capture/Compare	
		I/O	GPIO	
21	CAP19_GPIO	I/O	Capture/Compare	Generic digital I/F voltage domain. Output driver class C. PU/PD class B. Value at reset: T/PD.
		I/O	GPIO	
24	DSR	O	ASC data set ready	Generic digital I/F voltage domain. Output driver class B slow. PU/PD class A. Value at reset: T/PU.
		I/O	GPIO	
25	RI	O	ASC ring indicator	Generic digital I/F voltage domain. Output driver class D. PU/PD class B. Value at reset: T/PD.
		I/O	GPIO	
26	DCD	O	ASC data carrier detect	Generic digital I/F voltage domain. Output driver class B. PU/PD class B. Value at reset: T/PD.
		I/O	GPIO	
27	DTR	I	ASC data terminal ready	Generic digital I/F voltage domain. Output driver class C. PU/PD class B. Value at reset: T/PD.
		I/O	GPIO	
28	CTS	I	ASC clear to send	Generic digital I/F voltage domain. Output driver class F. PU/PD class C. Value at reset: T/PU.
		I/O	GPIO	
29	RTS	O	ASC ready to send	Generic digital I/F voltage domain. Output driver class E. PU/PD class C. Value at reset: T.
		I/O	GPIO	
33	WA0_DAI	O	SPI sync data (MOSI)	Generic digital I/F voltage domain. Output driver class D. PU/PD class B. Value at reset: T.
		O	I2S word alignment	
		I/O	GPIO	
34	TXD_DAI	O	SPI chip select	Generic digital I/F voltage domain. Output driver class D. PU/PD class B. Value at reset: T.
		O	I2S transmit data	
		I/O	GPIO	

PIN #	TM1Q Signal Name	TM1Q I/O	Function	Remarks
35	CLK0_DAI	O	SPI clock	Generic digital I/F voltage domain. Output driver class D. PU/PD class B. Value at reset: T.
		O	I2S clock	
		I/O	GPIO	
36	RXD_DAI	I	SPI sync data (MISO)	Generic digital I/F voltage domain. Output driver class D. PU/PD class B. Value at reset: T.
		I	I2S receive data	
		I/O	GPIO	
37	SCL	O	I2C bus clock line	I2C interface voltage domain. Fixed open drain. External pull-up required. Value at reset: T/OD.
		I/O	GPIO	
38	SDA	I/O	I2C bus data line	I2C interface voltage domain. Fixed open drain. External pull-up required. Value at reset: T/OD.
		I/O	GPIO	

7 Electrical characteristics of pins

7.1 Absolute maximum ratings

7.1.1 Supply/power pins

7.1.1.1 Input characteristics

Description	Name	Limit values	
		Min	Max
Module Supply	VBAT	-0.3 V	5.5 V
Module Charge	VCHARGE		15.0 V

Stresses above those listed here may cause permanent damage to the device. Exposure to absolute maximum rating conditions for extended periods may affect device reliability.

7.1.2 Digital, audio and ADC pins

7.1.2.1 Input characteristics

Description	Limit values	
	Min	Min
Generic digital interfaces	-0.30 V	3.60 V
I2C interface	-0.30 V	3.60 V
SIM interface	-0.30 V	3.60 V
EXTRSTn signal	-0.30 V	3.60 V
Audio pins	-0.15 V	3.00 V
ADC pins	-0.15 V	3.00 V

Stresses above those listed here may cause permanent damage to the device. Exposure to absolute maximum rating conditions for extended periods may affect device reliability.

7.2 Operating parameters

7.2.1 Supply/power pins

7.2.1.1 Input characteristics

Supply Description	Name	Limit values		
		Min	Typ	Max
Module Supply	VBAT	3.5 V	3.8 V	4.2 V
Module Charge	VCHARGE	5.0 V		15.0 V

7.2.1.2 Output characteristics

Supply Description	Name	Limit values		
		Min	Typ	Max
SIM Supply	VSIM	1.75 V	1.80 V	1.85V
		2.76 V	2.85 V	2.94 V
RTC Supply	VRTC	1.86 V	2.00 V	2.14 V

7.2.2 Digital pins

7.2.2.1 Input characteristics

Voltage Domain	Parameter	Limit values			Unit	Remarks
		Min	Typ	Max		
Generic digital interfaces	L-level input	-0.20		0.57	V	Voltage Domain = VIO = 2.85 V
	H-level input	2.00		3.30	V	Voltage Domain = VIO = 2.85 V
I2C interface	L-level input	-0.30		0.86	V	In accordance with I2C bus specification
	H-level input	2.00		3.30	V	In accordance with I2C bus specification
	Hysteresis	0.14			V	In accordance with I2C bus specification
SIM interface	L-level input			0.36	V	VSIM = 1.80 V
				0.57	V	VSIM = 2.85 V
	H-level input	1.26			V	VSIM = 1.80 V
		2.00			V	VSIM = 2.85 V
EXTRSTn signal	L-level input	-0.10		0.86	V	
	H-level input	2.00		3.15	V	

7.2.2.2 Output characteristics

Voltage Domain	Parameter	Limit values			Unit	Remarks
		Min	Typ	Max		
Generic digital interfaces	L-level output for output driver class B slow		0.00	0.40	V	$I_{OL} = +10.0 \text{ mA}$
			0.00	0.80	V	$I_{OL} = +15.0 \text{ mA}$
	L-level output for output driver class B		0.00	0.20	V	$I_{OL} = +2.5 \text{ mA}$
			0.00	0.35	V	$I_{OL} = +5.0 \text{ mA}$
	L-level output for output driver class C		0.00	0.20	V	$I_{OL} = +2.0 \text{ mA}$
			0.00	0.35	V	$I_{OL} = +4.0 \text{ mA}$
	L-level output for output driver class D		0.00	0.20	V	$I_{OL} = +1.0 \text{ mA}$
			0.00	0.35	V	$I_{OL} = +2.0 \text{ mA}$
	L-level output for output driver class E and F		0.00	0.20	V	$I_{OL} = +1.0 \text{ mA}$
			0.00	0.35	V	$I_{OL} = +1.5 \text{ mA}$
	H-level output for output driver class B slow	2.65	2.85		V	$I_{OH} = -10.0 \text{ mA}$
		2.50	2.85		V	$I_{OH} = -15.0 \text{ mA}$
	H-level output for output driver class B	2.65	2.85		V	$I_{OH} = -2.5 \text{ mA}$
		2.50	2.85		V	$I_{OH} = -5.0 \text{ mA}$
	H-level output for output driver class C	2.65	2.85		V	$I_{OH} = -2.0 \text{ mA}$
		2.50	2.85		V	$I_{OH} = -4.0 \text{ mA}$
	H-level output for output driver class D	2.65	2.85		V	$I_{OH} = -1.0 \text{ mA}$
		2.50	2.85		V	$I_{OH} = -2.0 \text{ mA}$
	H-level output for output driver class E and F	2.65	2.85		V	$I_{OH} = -1.0 \text{ mA}$
		2.50	2.85		V	$I_{OH} = -1.5 \text{ mA}$
I2C interface	L-level output		0.00	0.40	V	$I_{OL} = +3.0 \text{ mA}$
SIM interface	L-level output		0.00	0.20	V	$V_{SIM} = 1.80 \text{ V}$ $I_{OL} = +1.0 \text{ mA}$

Voltage Domain	Parameter	Limit values			Unit	Remarks
		Min	Typ	Max		
			0.00	0.35	V	VSIM = 1.80 V I _{OL} = +1.5 mA
			0.00	0.20	V	VSIM = 2.85 V I _{OL} = +1.0 mA
			0.00	0.35	V	VSIM = 2.85 V I _{OL} = +1.5 mA
	H-level output	1.60	1.80		V	VSIM = 1.80 V I _{OH} = -1.0 mA
		1.45	1.80		V	VSIM = 1.80 V I _{OH} = -1.5 mA
		2.65	2.85		V	VSIM = 2.85 V I _{OH} = -1.0 mA
		2.50	2.85		V	VSIM = 2.85 V I _{OH} = -1.5 mA

7.2.2.3 Pad pull-up and pull-down characteristics

Voltage Domain	Parameter	Limit values			Unit	Remarks
		Min	Typ	Max		
Generic digital interfaces or SIM interface	Pull-up input current for pull class A			-450	µA	
	Pull-up input current for pull class B			-100	µA	
	Pull-up input current for pull class C			-30	µA	
	Pull-down input current for pull class A			450	µA	
	Pull-down input current for pull class B			100	µA	
	Pull-down input current for pull class C			30	µA	

7.2.2.4 Pad resistance characteristics

Voltage Domain	Parameter	Limit values			Unit	Remarks
		Min	Typ	Max		
Generic digital interfaces or I2C interface or SIM interface	Pad resistance at 2.5-5.0 mA load Rising edge for output driver class B slow			50	Ω	
	Pad resistance at 2.5-5.0 mA load Falling edge for output driver class B slow			50	Ω	
	Pad resistance at 2.5-5.0 mA load Rising edge for output driver class B			70	Ω	
	Pad resistance at 2.5-5.0 mA load Falling edge for output driver class B			70	Ω	
	Pad resistance at 2.0-4.0 mA load Rising edge for output driver class C			70	Ω	
	Pad resistance at 2.0-4.0 mA load Falling edge for output driver class C			70	Ω	
	Pad resistance at 1.0-2.0 mA load Rising edge for output driver class D			115	Ω	
	Pad resistance at 1.0-2.0 mA load Falling edge for output driver class D			115	Ω	
	Pad resistance at 1.0-1.5 mA load Rising edge for output driver class E			130	Ω	
	Pad resistance at 1.0-1.5 mA load Falling edge for output driver class E			120	Ω	
	Pad resistance at 1.0-1.5 mA load Rising edge for output driver class F			180	Ω	
	Pad resistance at 1.0-1.5 mA load Falling edge for output driver class F			180	Ω	

7.2.3 Audio pins

7.2.3.1 BaseBand audio transmit path characteristics

Parameter	Limit values			Unit	Remarks
	Min	Typ	Max		
Differential input voltage			1.03	V _{pp}	
Differential input impedance		50		kΩ	
Input capacitance		5	10	pF	
Signal to distortion	65			dB	
Signal-to-noise ratio	75			dB	Gain stage = +12dB Bandwidth = 300-3900Hz (GSM mode)
	72			dB	Gain stage = +12dB Bandwidth = 300-7000Hz (WAMR mode)
Power supply rejection	66	85		dB	Gain stage = +24dB $U_{VDD}(t) = 2.5V + 0.15V \cdot \sin(2\pi \cdot 1kHz \cdot t)$
	62			dB	Gain stage = +18dB $U_{VDD}(t) = 2.5V + 0.15V \cdot \sin(2\pi \cdot 1kHz \cdot t)$
	45			dB	Gain stage = +0dB $U_{VDD}(t) = 2.5V + 0.15V \cdot \sin(2\pi \cdot 1kHz \cdot t)$
Cross talk (between Rx and Tx channel)			-65	dB	$U_{TX}(t) = 1.075V +$ $U_{RX}(t) = 0.775V \cdot \sin(2\pi \cdot 1kHz \cdot t)$
Cut-off frequency of anti-alias filter	16			kHz	
Absolute gain drift			±2	%	Variation due to change in supply, temperature and life time.

7.2.3.2 BaseBand microphone supply characteristics

Parameter	Limit values			Unit	Remarks
	Min	Typ	Max		
Output voltage of pin VMIC		2.20		V	Settable to: 1.8 V, 2.0 V, 2.2 V typ.
Microphone supply current			2.0	mA	
Power supply rejection of microphone supply		75		dB	Gain stage = +0dB in crosstalk free conditions at board level $U_{VDD}(t) = 2.6V + 0.10V \cdot \sin(2\pi \cdot 1kHz \cdot t)$

7.2.3.3 BaseBand low power single-ended audio receive path characteristics

Parameter	Limit values			Unit	Remarks
	Min	Typ	Max		
Maximum single-ended output voltage	1.65	1.85	2.05	Vpp	Full scale single-ended open circuit voltage.
Internal output resistance		1.7	4	Ω	
Output load resistance		16		Ω	
Single-ended output load capacitance			10	nF	
Signal to noise	70	80		dB	Load = 16 Ω , Gain stage = +0dB, Input signal = 0dBFS, Code 0, A-weighted
Signal to distortion	60	70		dB	Load = 16 Ω , Gain stage = +0dB, Input signal = 0dBFS
	60	70		dB	Load = 16 Ω , Gain stage = +0dB, Input signal = -1dBFS
	60			dB	Load = 16 Ω , Gain stage = +0dB, Input signal = -6dBFS
Power supply rejection	60	66		dB	Gain stage = +0dB, $U_{VDD}(t) = 2.5V + 0.15V \cdot \sin(2\pi \cdot 1kHz \cdot t)$
Passband ripple			0.5	dB	$f < 0.45 f_s$
Stopband attenuation	50			dB	$f > 0.55 f_s$
Absolute gain drift			± 2	%	Variation due to change in supply, temperature and life time.

7.2.3.4 BaseBand high power differential audio receive path characteristics

Parameter	Limit values			Unit	Remarks
	Min	Typ	Max		
Maximum differential output voltage		10.4		Vpp	Overdrive Gain stage = +9dB
Output load resistance		8		Ω	
Single-ended output load capacitance			10	nF	
Inductive load			400	μH	Between output pins and GND with series resistance
Signal to noise	70	80		dB	Load = 16 Ω , Gain stage = +0dB, Input signal = 0dBFS, Code 0, A-weighted
Signal to distortion	50			dB	Load = 8 Ω , 350mW
Power supply rejection	60			dB	1kHz

7.2.4 ADC pins

7.2.4.1 Input characteristics

Parameter	Limit values			Unit	Remarks
	Min	Typ	Max		
Resolution		12		Bits	
Differential linearity error			± 0.5	LSB	
Integral linearity error			± 4	LSB	
Offset error			± 10	LSB	ADC input = 0V
Absolute gain drift			± 2	%	Variation due to change in supply, temperature and life time.
Input voltage span	0		1.92	V	
Throughput rate			4	Hz	With current ADC SW driver
Input resistance	1			M Ω	With respect to AGND. If mode OFF is selected.
Input resistance in measurement mode	288	480	672	k Ω	With respect to AGND. Variation due to process tolerances and change in supply, temperature, and life time.
Internal voltage	0.46	0.48	0.50	V	With respect to AGND. Variation due to process tolerances and change in supply, temperature, and life time.
Input leakage current			0.1	μ A	