

DM8-R
Digital Modulator Tray

AXCERA, LLC

103 FREEDOM DRIVE, P.O. Box 525 LAWRENCE, PA 15055-0525 USA
(724) 873-8100 • FAX (724) 873-8105
www.axcera.com • info@axcera.com



DM8-R DIGITAL MODULATOR TABLE OF CONTENTS

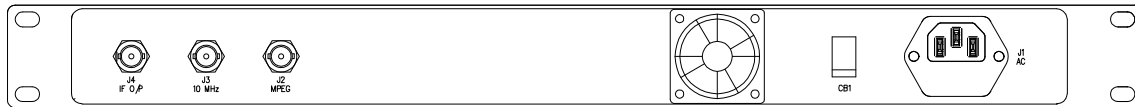
SECTION	PAGE
Overview	2
Inputs and Outputs	2
Front Panel Interface	2
DM8-R Modulator Board Configuration	3
Detailed Circuit Descriptions	3
DM8-R Modulator Board Description	3
SMPTE-310 Input	3
Channel Coder	3
Analog Output Section	4
Pilot Frequency Generation	4
DM8-R Front Panel Board Description	4
Initial Setup	5
Drawing List	6

DM8-R Modulator Tray

Overview

The DM8-R modulator Tray is an ATSC compliant 8 VSB modulator that mounts in a standard 19" rack. The DM8-R modulator accepts a SMPTE-310 MPEG data stream and outputs a 6 MHz wide IF output centered at 44 MHz with a pilot carrier at 46.69 MHz. The DM8-R modulator provides linear and nonlinear correction capability for the transmission path as well as internal test sources that are used during initial transmitter installation. All of the functions of the DM8-R modulator are controlled from the LX Controller LCD display and pushbuttons.

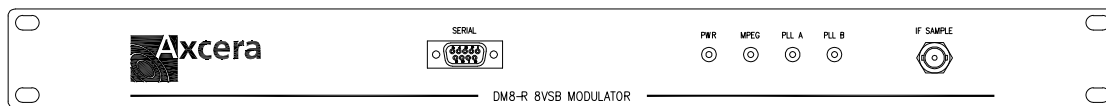
Inputs and Outputs



The inputs and outputs of the DM8-R modulator are described in the table below.

Description	Reference Designator	Function
IF Output	J4	Provides a 44 MHz IF Output with a 50 ohm output impedance
10 MHz Input	J3	10 MHz input to the DM8-R modulator. Provides the reference frequency to the pilot VCXO.
SMPTE-310M Input	J2	SMPTE-310 input that provides the MPEG stream to the modulator.
110/220 VAC	J1	Input Power to the Modulator

Front Panel Interface



The following table describes the connectors and indicators on the front panel.

LED Indicator or Connector	Function
PWR	Indicates that the DC power supply is operating
MPEG LED	Indicates the presence of a valid MPEG stream at the J1-2B input
PLL A LED	Indicates that the DM8 symbol clock is locked to the frequency of the 10 MHz reference.
PLL B LED	Indicates that the pilot frequency is locked to the incoming 10 MHz reference.
IF Sample Jack BNC	Provides a sample of the IF output from the modulator at approximately a -20 dBm level.
RS-232 SERIAL	Serial Port used for initial modulator alignment

DM8-R Modulator Board Configuration

The Digital Modulator Board in the DM8-R is setup through a configuration header located on the board. The configuration header contains 8 jumper positions between pins on J26 and J27. The functions of these positions are given in Table 1.

Table 1 J26/J27 Configuration Header Definition

Jumper Position	Function when	
	Jumper Is Present	Jumper Not Present
1	Header Enabled	RS485 Enabled
2	CW Zero	Normal Mode
3	Internal PRBS	External Source
4	Linear Equalizer On	Linear Equalizer Off
5	Nonlinear Off	Nonlinear On
6	Preset Table 1	Preset Table 2
7	AGC Tracking	AGC Fixed
8	Spare	

Detailed Circuit Descriptions

Digital Modulator Board (1304884)

SMPTE-310 Input

The DM8-R modulator accepts a SMPTE-310 input the BNC Jack J2 located on the rear panel of the tray. This input is connected to J42 on the Digital Modulator Board via a RG-179 cable. This input is applied to a high speed window comparator that adjusts the level to a low voltage TTL signal to be used by the Altera FPGA, U3. The SMPTE-310 signal is input to the FPGA to recover the clock and the data. A portion of the clock and recovery circuit is performed by a high speed comparator, U17, that functions as an external delay circuit.

Channel Coder

The FPGA subsequently uses the SMPTE-310 clock and data as the input to the channel coder contained inside the FPGA. The channel coder is a series of DSP blocks defined by the ATSC standard for 8 VSB data transmission. These blocks include the data randomizer, Reed Solomon Encoder, data interleaver, trellis coder, and sync insertion. The channel coder portion inside the FPGA generates the 8 distinct levels in an 8 VSB transmitter. These levels are subsequently input to a linear equalizer that provides for frequency response correction in the transmission path. The linear equalizer is a 67 tap FIR filter that is loaded with tap values from the microcontroller, U1, located on this board. The output of the linear equalizer is then input to two pulse shaping filters, an in phase (I) and a quadrature (Q) filter that are also located inside the FPGA. The pulse shaping filters are FIR filters that have fixed tap values that are preset inside the FPGA. The output of the pulse shaping filters is then applied to a Pre-Distortion Linearizer chip, U4, which can be used to correct for nonlinearities in the data transmission path. The output of the Pre-Distortion chip is gain scaled and output to a dual D/A converter that output a baseband I and Q analog signal.

Analog Output Section

The baseband I and Q signals from the D/A converter are applied to differential analog filters that remove some of digital artifacts from the D/A conversion process. The output of the I channel filter is then mixed with the pilot frequency, 46.69 MHz, using mixer U30. The output of the Q filter is mixed with the pilot frequency that is phase shifted 90 degrees using mixer U34. The mixers are current driven devices so that when the outputs of U30 and U34 are connected together, they provide a combined output. This combined output is subsequently input to a final differential output filter which provides the final IF output at the SMA connector, J38. This output is connected through a RG-174 cable to the BNC connector J4, the IF output jack, located on the rear panel of the tray.

Pilot Frequency Generation

The 46.69 MHz pilot signal, which is used in the mixing process, is generated from a 46.69 MHz VCXO that is phase locked to a 10 MHz reference. The VCXO and the 10 MHz are divided down to a common frequency, which is then compared internal to the FPGA. The FPGA subsequently provides error signals to an analog phase locked implemented with op amp stages U45-A, B and C. The output of these compensation stages is used as the control voltage to the VCXO, U37. The phase locked output of U37 is applied to an analog filter to remove harmonics of the pilot and then input to quadrature splitter Z1. The outputs of Z1 are used as the inputs to the mixers in the analog output section.

DM8-R Front Panel Board (1307113)

The front panel board contains four LEDs, Power, MPEG, PLL A and PLL B, which are viewable on the front panel. J2 connects to the Modulator Board, which controls the operation of the LEDs. When the system is operation normally, all LEDs will be Green. If a problem occurs, that LED will not be lit.

Initial Set Up

The DM8-R Modulator Tray was set up at the factory for best digital response and correction for the transmitter and should require no customer adjustments to attain normal operation.

The digital transmitter operates using an MPEG input that connects to J2 on the rear of the DM8-R Modulator Tray. The IF output of the DM8-R Modulator Tray, at J4, connects to the IF input jack located on the exciter for the transmitter. The transmitter is ready for normal operation. Refer to the instruction manual for the transmitter for information on the transmitter setup and operation.

If a problem occurred during the setup of the transmitter, help can be found by calling Axcera field support at 724-873-8100.

DM8-R Modulator Tray

Interconnect.....	1306984
Digital Modulator, DT1D Board Schematic.....	1304884
DM8-R Front Panel Board Schematic.....	1307113



The DM8-R 8-VSB modulator accepts an ATSC-compliant SMPTE 310M digital bit stream. To modulate to the 8-VSB standard, the digital data stream is first randomized and then forward error corrected (FEC) through Reed-Solomon encoding, data field interleaving and trellis coding. The FEC signal processing minimizes data errors in the digital bit stream and reduces the chance of burst errors, while significantly improving the system coding gain. The data is then equalized, processed through pulse shaping filters and modulated to the 8-VSB signal (centered at 44 MHz) utilizing Quadrature Vector Modulation techniques. A crystal controlled oscillator provides excellent stability and performance.

Front panel LEDs provide a quick indication of operating status and performance of the modulator. In addition, a 9-pin serial port is provided for the configuration of the digital linear and nonlinear pre-correctors.



8-VSB Modulator - DM8-R

General

Modulation Type	8-VSB
Symbol Rate	10.76 MHz
Error Protection (Per ATSC Standard)	RS(207, 187) t=10 Convolutional Interleaver 2/3 Rate Trellis Encoder
Signal to Noise Ratio (SNR)	34 dB min (36 dB typical)
Out of Band Rejection	41 dB min (47 dB typical)
EVM	2.0% max (1.5% typical)

Data Interface

Data Rate (MPEG-2)	19.39 Mbps, 6 MHz channel
Interface	SMPTE 310M

IF Output

Frequency	44 MHz IF, 6 MHz channel
Impedance	50 Ohms
Level	-6 dBm

Mechanical

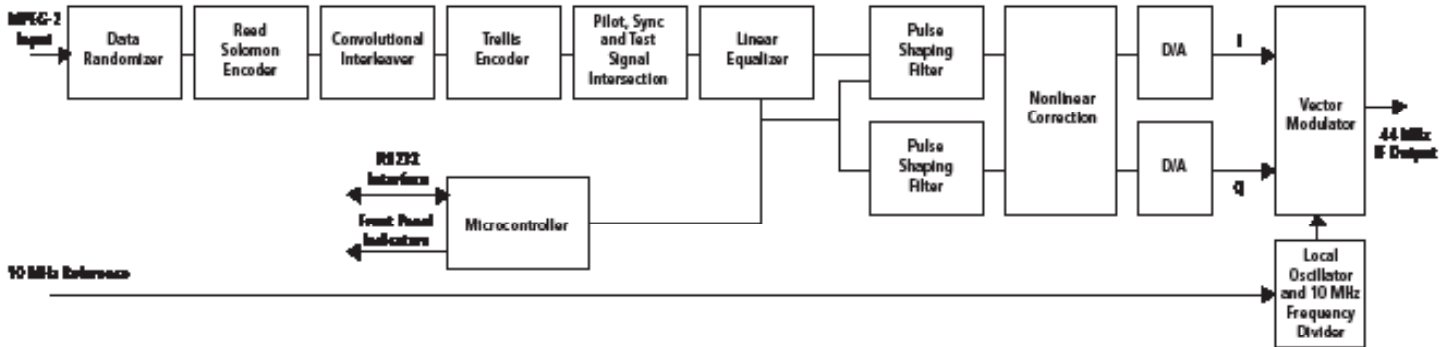
Size (W x D x H)	19" x 12" x 1.75"
Weight	6 lbs

Power Requirements

Line Voltage	84 to 264 VAC, 1 phase 50/60 Hz
Power Consumption	50W

Test Signal Capabilities

Mpeg Source	Internal PRBS-23
Test Waveforms	Zero Pilot



Specifications published here are current as of the date of publication of this document. Because we are continuously improving our products, Axcera reserves the right to change specifications without prior notice. At any time, you may verify product specifications by contacting our office. Axcera views its patent portfolio as an important corporate asset and vigorously enforces its patents. Products or features contained herein may be covered by one or more U.S. or foreign patents.