

UMIDIGI

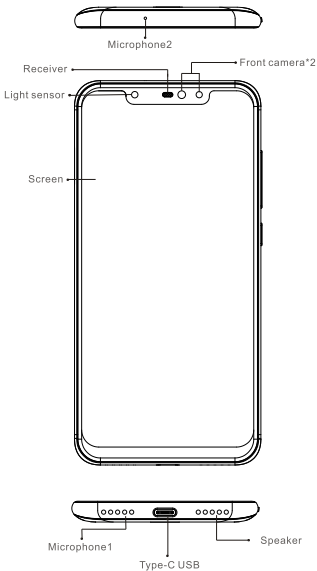
**Z2**

Thanks for choosing UMIDIGI products.

[www.umidigi.com](http://www.umidigi.com)

## PRODUCT HEX-VISION IMAGE

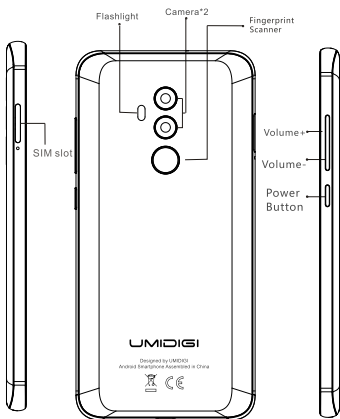
---



**POWER BUTTON:** Long press to turn on the device; When the device is on, short press Power Button to shutdown or turn on the screen.

## PRODUCT HEX-VISION IMAGE

---



**VOLUME BUTTON:** Short press to adjust the volume or to mute incoming calls.

## CARD INSERT MANUAL

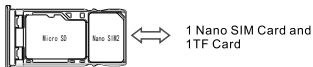
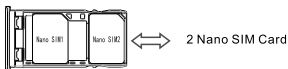
---

### Insert Nano-SIM Card

Please face the chip side of the Nano-SIM card adown when inserting into the slot. Be aware of the direction of the cut edge when placing the Nano-SIM card into the slot.

#### Reminder:

Please use standard Nano-SIM card. Please don't use a non-standard card that is hand-cut, in order to prevent the SIM slot and card tray from being damaged and card-rejection situation that may cause damage to the phone.



### TF Card Installation

Please place the metal contact of the TF card adown, be aware of the direction of the cut edge. Place the card onto the tray and insert into the device.

#### Reminder:

Please turn off the phone before changing or replacing the TF card. TF card does not come with the phone, please purchase separately.

Please do not plug in and out of the SIM card tray when the phone is on. Be careful when using the slot thimble from scratching the phone.

## DUAL-SIM MANAGEMENT

---

Please choose which SIM card slot to be the main one to be for 4G network via Setting > SIM Card. Choose your preferred network types of 4G/3G/2G via Setting>Network&Internet>Mobile network >Preferred network type

## FINGERPRINT IDENTIFICATION

---

You can unlock the screen by fingerprint ID function. Click Setting>Security&Location>Fingerprint, please enter your fingerprint information by following the instructions on the screen.

### **Reminder:**

Please ensure your finger clean and dry when giving your fingerprint information to the phone.

Please enter the information of your finger pulp for fingerprint information. When unlocking the phone by fingerprint, please place your finger pulp on the touch ID sensor for about a second.

## NETWORK CONNECTION

---

### **Connecting WLAN**

Into the setting of WLAN via Settings>Network&Internet>Wi-Fi. When WLAN is on, a list available WiFi connection will appear. Click on the one you want to connect to, enter the password if the network is encrypted, then click Connect. When it's a public network, just click Connect. When the network shows "connected", it is available to use.

### **Bluetooth Function**

Into the setting of Bluetooth function via Settings>Connected devices>Bluetooth. Enable the Bluetooth function by clicking the Menu Button then select "Refresh", then the phone will search for available Bluetooth devices for pairing and list on the screen. Click on the one you want to pair with, then click "Pair" on the dialog pop-up. Documents are available for transmission after Bluetooth pairing.

### **Reminder:**

Slide down the status bar twice to open the shortcut switches for Bluetooth and other functions.

### **WLAN Hot-spot Setting**

Click on via Settings>Network&Internet>Hotspot&tethering>Wi-Fi hotspot to turn on the Portable WLAN Hot-spot function. When setting up WLAN hot-spot, enter your user name in "Network Name" and password, then click Save. Another device can use the WLAN hot-spot by searching and entering the password of the password.

### **Reminder:**

Please enable the Data Connection before enabling the network sharing function. Your mobile traffic will be shared by other devices, so please use it carefully. The signal of the WLAN hot-spot depends on the signal strength and devices.

## **CAMERA**

---

Aim the camera at the shooting object, the phone will start focus automatically; or you can click on the screen to choose the object you want to focus on, then click "Capture" icon to take photos. You can also choose other modes such as video recording, beautifying, panorama to take photos/videos.

## **INSTRUCTIONS FOR DUAL-CARD STANDBY**

---

"Dual card, dual standby, single pass" means you can insert two SIM cards and have them both "standby", but cannot make phone calls at the same time. During the standby mode both cards are available for receiving phone calls, but once one of the cards is activated, the other one cannot receive phone calls nor make phone calls.

## **SECURITY INFORMATION**

---

Security information (including BS, ES, battery security information) of third-party software installation and function may vary in different regions or by different hardware specifications. UMIDIGI holds disclaimer for the performance problem or incompatibility caused by third-party applications, registry editing, OS software modifying. Customizing the OS may cause the device or some applications fail to work properly.

Please prevent the device or the battery in extreme cold/hot condition. The extreme temperature will lead to deformation of the phone and reduce the charging capacity and battery life.

Please only use the custom designed and approved battery and recharger by UMIDIGI. Incompatible battery and recharger may cause damage to the phone. Please abide by local regulation when disposing of the used batteries and phones.

Please do not place the battery or the phone onto or inside heating devices such as microwave, oven or radiator. The battery may explode if it gets too hot.

Please do not crush or pierce the battery. Prevent the battery from getting high pressure from outside, it may cause internal short and overheating

## SPECIFICATIONS

---

### BASIC INFORMATION

---

Model	Z2
Color	Black, Twilight, Phantom
Operating system	Android 8.1
CPU	MT6763, 4xCortex-A53, 2.0GHz, 4xCortex-A53 1.5GHz
GPU	ARM Mali G71 MP2 700MHz
RAM	6GB
ROM	64GB
Battery	3850mAh
Touch ID	Rear fingerprint

### Display

---

Screen Size	6.2 inch
Resolution	1080*2246 pixels
Touch	Capacitive multi-touch

### Cameras

---

Rear Camera	16MP+8MP Camera
Front Camera	16MP+8MP Camera

### Connection(I/O)

---

SIM/TF card	2 Nano SIM Card Or 1 Nano SIM Card and 1 TF Card
WIFI	IEEE802.11 a/b/g/n
Bluetooth	Bluetooth 4.0
GPS	Build in GPS
FM	Yes
Earphone Port	Type-C
USB Port	Type-C USB

### Other Features

---

Video File Format	3GP/MPEG4
Audio File Format	MP3/WAV/AMR/AWB
Card Extend	Support TF card up to 256 GB
Language	Support Multi-language
Sensor	G-Sensor, P-Sensor, L-Sensor, Accelerometer, Compass, Gyroscope

### In the box

---

Phone x1  
Type-C cable x1  
Power Adapter x1  
User Menu x1  
phone case x1  
digital audio interface x1

### **FCC Statement**

1. This device complies with Part 15 of the FCC Rules. Operation is subject to the following two conditions:

(1) This device may not cause harmful interference.

(2) This device must accept any interference received, including interference that may cause undesired operation.

2. Changes or modifications not expressly approved by the party responsible for compliance could void the user's authority to operate the equipment.

#### **NOTE:**

This equipment has been tested and found to comply with the limits for a Class B digital device, pursuant to Part 15 of the FCC Rules.

These limits are designed to provide reasonable protection against harmful interference in a residential installation.

This equipment generates uses and can radiate radio frequency energy and, if not installed and used in accordance with the instructions, may cause harmful interference to radio communications. However, there is no guarantee that interference will not occur in a particular installation. If this equipment does cause harmful interference to radio or television reception, which can be determined by turning the equipment off and on, the user is encouraged to try to correct the interference by one or more of the following measures:

Reorient or relocate the receiving antenna.

Increase the separation between the equipment and receiver.

Connect the equipment into an outlet on a circuit different from that to which the receiver is connected.

Consult the dealer or an experienced radio/TV technician for help.

### **SAR Information Statement**

Your wireless phone is a radio transmitter and receiver. It is designed and manufactured not to exceed the emission limits for exposure to radiofrequency (RF) energy set by the Federal Communications Commission of the U.S. Government. These limits are part of comprehensive guidelines and establish permitted levels of RF energy for the general population. The guidelines are based on standards that were developed by independent scientific organizations through periodic and thorough evaluation of scientific studies. The standards include a substantial safety margin designed to assure the safety of all persons, regardless of age and health. The exposure standard for wireless mobile phones employs a unit of measurement known as the Specific Absorption Rate, or SAR. The SAR limit set by the FCC is 1.6 W/kg. \* Tests for SAR are conducted with the phone transmitting at its highest certified power level in all tested frequency bands. Although the SAR is determined at the highest certified power level, the actual SAR level of the phone while operating can be well below the maximum value. This is because the phone is designed to operate at multiple power levels so as to use only the power required to reach the network. In general, the closer you are to a wireless base station antenna, the lower the power output. Before a phone model is available for sale to the public, it must be tested and certified to the FCC that it does not exceed the limit established by the government adopted requirement for safe exposure. The tests are performed in positions and locations (e.g., at the ear and worn on the body) as required by the FCC for each model. The highest SAR value for this model phone when tested for use at the ear is **0.396W/Kg** and when worn on the body, as described in this user guide, is **0.132W/Kg** (Body-worn measurements differ among phone models, depending upon available accessories and FCC requirements). The maximum scaled SAR in hotspot mode is **0.136W/Kg**. While there may be differences between the SAR levels of various phones and at various positions, they all meet the government requirement for safe exposure. The FCC has granted an Equipment Authorization for this model phone with all reported SAR levels evaluated as in compliance with the FCC RF exposure guidelines. SAR information on this model phone is on file with the FCC and can be found under the Display Grant section of <http://www.fcc.gov/oet/fccid> after searching on FCC ID:2APL8Z2 Additional information on Specific Absorption Rates (SAR) can be found on the Cellular Telecommunications Industry Association (CTIA) web-site at <http://www.wow-com.com>. \* In the United States and Canada, the SAR limit for mobile phones used by the public is 1.6 watts/kg (W/kg) averaged over one gram of tissue. The standard incorporates a substantial margin of safety to give additional protection for the public and to account for any variations in measurements.

### **Body-worn Operation**

This device was tested for typical body-worn operations. To comply with RF exposure requirements, a minimum separation distance of 10mm must be maintained between the user's body and the handset, including the antenna. Third-party belt-clips, holsters, and similar accessories used by this device should not contain any metallic components. Body-worn accessories that do not meet these requirements may not comply with RF exposure requirements and should be avoided. Use only the supplied or an approved