

# 562NSTT-OEM

## Smoke Alarm w/ Heat Detection Sensor

### Product Introduction

This wireless photoelectric smoke alarm and heat detector (product) continually monitor operational status and provide a visual trouble condition if they drift out of the sensitivity range or fail internal diagnostics. This product meets NFPA 72 field sensitivity testing requirements without the need for external meters. The alarm sensitivity level can be determined at the product. Another feature is built-in drift compensation that allows the product to adjust sensitivity automatically as it becomes dirty over time. The drift compensation feature dramatically increases the time between cleanings, as well as reducing the chance of a nuisance alarm. Additional diagnostic information is activated by applying a magnet near the detector's integral reed switch. This initiates a self-diagnostic routine and provides visual indication of sensitivity level, or if service is required. The product is powered by long life 3V Lithium batteries providing power to both the sensor and wireless transmitter.

This wireless product works in conjunction with your wireless Control Panel, providing a local indication.

### About This Guide

This User Guide describes how to install, the operation and maintenance of this product. The User Guide is organized as you intent to use this product with step by step instructions.

Keep this document in a handy location and refer to it when you have questions about this product and its functions and features. Reading this guide is the only way to learn how to use your product wisely and to know how to react in the event of an alarm.

## 1. General Information

Congratulations on purchasing your Smoke Alarm with Heat detection. The product is designed to be used with a Control Panel as part of the Fire and Life Safety signaling device. This product has an optical sensor capable of detecting smoke particles in the event of fire. It also contains an integrated heat sensor that is triggered if a room experiences a sharp rise in temperature in the event of fire.

### Parts List

One Smoke Alarm  
Two CR123A lithium batteries  
Mounting Plate  
Mounting Screws and Anchors  
User Guide

### NFPA Guidelines

#### NFPA 72, 2-1.4.2.1 Total (Complete) Coverage

If required, total coverage shall include all rooms, halls, storage areas, basements, attics, lofts, spaces above suspended ceilings, and other subdivisions and accessible spaces; and the inside of all closets, elevator shafts, enclosed stairways, dumbwaiter shafts, and chutes. Inaccessible areas shall not be required to be protected by alarms. (For exceptions, see NFPA 72.)

#### NFPA 72, 2-1.4.2.2 Partial Coverage

If required, partial detection systems shall be provided in all common areas and work spaces, such as corridors, lobbies, storage rooms, equipment rooms, and other tenantless spaces in those environments suitable for proper alarm operation in accordance with this code.

#### NFPA 72, 2-1.4.2.3 Selective Coverage

Where codes, standards, laws, or authorities having jurisdiction require the protection of selected areas only, the specified areas shall be protected in accordance with this code.

#### NFPA 72, 2-1.4.2.4 Supplementary (Non required) Coverage

Where installed, detection that is not required by an applicable law, code, or standard, whether total (complete), partial, or selective coverage, shall conform to the requirements of this code. (For exceptions, refer to NFPA 72 Chapter 2 Spacing Requirements.)

#### NFPA 72, 2-1.4.3

Where non-required detection devices are installed for a specific hazard, additional non-required detection devices shall not be required to be installed throughout an entire room or building.

#### NFPA 72, 2-2 Heat-Sensing Fire Alarms

Heat-sensing fire alarms shall be installed in all areas where required by the NFPA codes and standards or by the authority having jurisdiction.

#### NFPA 72, 8-1.4.1.3.2 Detection in New Apartment Buildings

Approved, single-station smoke alarms shall be installed in accordance with 7-6.2.10 of NFPA 101 outside every sleeping area in the immediate vicinity of the bedrooms and on all levels of the dwelling unit including basements. (101: 18-3.4.4.2) (For exceptions, refer to this section of NFPA 72.)

#### NFPA 72, 8-1.4.1.4.2 Detection in Existing Apartment

Buildings Approved, single-station smoke alarms shall be installed in accordance with 7-6.2.10 of NFPA 101 outside every sleeping area in the immediate vicinity of the bedrooms and on all levels of the dwelling unit including basements. (101: 19-3.4.4.1) (For exceptions, refer to this section of NFPA 72.)

## 2. Mounting Guideline

This product is a member of a reliable, high-quality product family using the latest technology available. Review the information in this section to ensure you get the most out of the product. The information in this User Guide is in accordance with NFPA 72 and/or CAN/ULC-S524, depending on country of installation.

### Pre-installation Considerations

Install the smoke alarm in accordance with the National Fire Protection Association's (NFPA) Standard 72, Chapters 2 and 8. Depending on the application, you may need to reference other chapters of NFPA 72 or NFPA 101.

### Choosing an Installation Location

When choosing an installation location, consider:

- Use of structure and type of construction
- Contents you want to protect and their burning characteristics
- Human occupancy
- Total area to be monitored
- Ceiling height and surface condition
- Air movement and vent locations
- Obstructions
- Deflections

After considering these factors, choose a location:

- Where the temperature range is between 40° and 100° F (4.4° and 37.8° C).
- Where the humidity is between 0 and 90% non-condensing.

- Away from ventilation sources that can prevent smoke from reaching the smoke alarm.
- That is at least 5 feet (1.5 m) from bathrooms.

When placing the product on a ceiling, mount it in the center of the room or hallway, at least 4 inches (10cm) away from any walls or partitions.

When mounting the product on a wall, place it so the top is 4 to 12 inches (10 to 31cm) below the ceiling.

In rooms with sloped, peaked, or gabled ceilings, place smoke alarms 3 feet (.9 m) down or away from the highest point of the ceiling.

If mounting to suspended ceiling tile, secure the tile with the appropriate fastener to prevent tile removal.

Smoke Alarms are not to be used with alarm guards unless the combination has been evaluated and found suitable for that purpose.

Note: A smoke alarm does not provide warnings for fires resulting from explosions, smoking in bed, or other furniture; ignition of flammable liquids, vapors and gasses; and children playing with matches or lighters.

#### Locations to Avoid

- Areas where normal ambient temperature exceeds 100° F (37.8° C).
- Dirty, dusty, insect infested areas.
- In or near areas with combustion particles (kitchens, garages, furnaces, hot-water heaters, gas space heaters).
- On the ceiling in rooms next to kitchens, where there is no transom between the kitchen and such rooms.
- Damp or humid areas, or near bathrooms with showers.
- Near fresh-air inlets or returns or very drafty areas.
- Near heating/air conditioning vents, fans, and fresh air intakes, which can drive smoke away from the smoke alarm.
- In dead-air spaces at the top of peaked ceilings or in corners where walls and ceiling meet. Dead air can prevent smoke from reaching a smoke alarm/ alarm.
- Within 10 feet (3 m) of fluorescent light fixtures.
- Not suitable for outdoor use.

#### WARNING! LIMITATIONS OF SMOKE ALARMS

Wireless smoke alarms are very reliable, but may not work under all conditions. No fire alarm provides total protection of life or property. Smoke alarms are not a substitute for life insurance.

#### Smoke Alarms require a source of power to work.

This smoke alarm will not operate and the alarm will not sound if batteries are dead or not installed properly.

**Smoke Alarms may not be heard.** A sound sleeper or someone who has taken drugs or alcohol may not awaken if the alarm is installed outside a bedroom. Closed or partially closed doors and distance can block sound. This alarm is not designed for the hearing impaired.

**Smoke Alarms may not always activate and provide warning early enough.** Smoke alarms only activate when enough smoke reaches the alarm. If a fire starts in a chimney, wall, roof, on the other side of closed doors, or on a different level of the property, enough smoke may not reach the alarm for it to alarm.

Smoke Alarms are a significant help in reducing loss, injury and even death. However, no matter how good a detection device is, nothing works perfectly under every circumstance and we must warn you that you cannot expect a smoke alarm to ensure that you will never suffer any damage or injury.

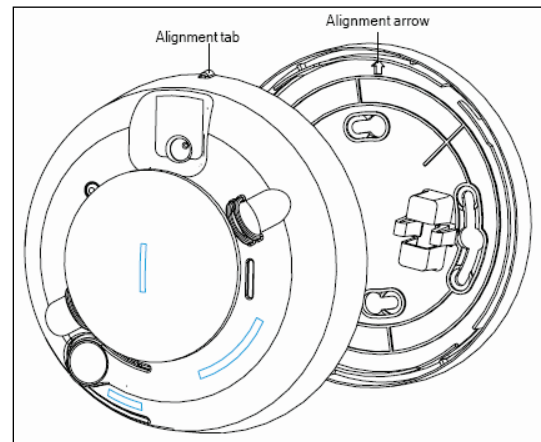
Current studies have shown smoke alarms may not awaken all sleeping individuals. It is the responsibility of individuals in the household that are capable of assisting others to provide assistance to those who may not be awakened by the alarm sound, or to those who may be incapable of safely evacuating the area unassisted.

### 3. Mounting the Sensor

Note: Add the product to the Control Panel before physically mounting the smoke alarm in the desired location.

- Disconnect alarm-notification appliances, service-release devices, and extinguishing systems. Test communications between the control panel and smoke alarm before permanently mounting the smoke alarm as follows:
  - Hold the smoke alarm where you plan to install it.
  - Press the smoke alarm test button for 8-to-10 seconds. The smoke alarm sends a signal to the control panel.
  - At the control panel, verify the signal was received and RF signal strength is adequate. If no signal is received or the RF signal is low, relocate the smoke alarm and retest.
- Using two supplied screws and anchors, mount the base.
- Attach the smoke alarm to the mounting base as follows:
  - Line up the raised alignment tab on the lip of the smoke alarm with the arrow on the mounting base.
  - Insert the smoke alarm into the base and turn clockwise about 15 degrees until it snaps into place.

Note: The product cannot be attached to the mounting base if no batteries are installed.



- Test communications between the control panel and smoke alarm again:
  - Press the Test button on the alarm for 8-to-10 seconds. The smoke alarm sends a signal to the control panel.
  - Verify that the signal at the control panel was received.
- Test the smoke alarm, see Section 7.
- The control panel alarm and all auxiliary functions should be verified for a complete test of the system.

## 4. Basic Operations

This product is equipped with an intuitive normal mode operation.

### Normal Mode Operation

- In normal operation, the Status LED flashes once every 8 seconds.
- In alarm mode, the Status LED is ON – Red Color.
- In trouble or maintenance mode, the Status LED is OFF.
- In battery replacement mode, the product turns OFF the Status LED and chirps every 45 seconds until the batteries are replaced.

Note: the modes can be viewed from the Control Panel.

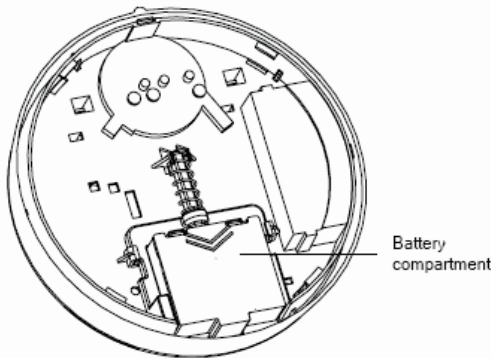
### Silence the Alarm

Press the Test/Silence button to silence the sounder during an alarm. After a few minutes, the sounder and alarm resume if smoke is still present.

## 5. Installing / Replacing Battery

This product comes with two battery preinstalled. When you need to replace the battery, use the following procedure.

- Slide the battery compartment cover away from the smoke alarm to unsnap it and lift it off.
- Observing proper polarity, insert two 3V lithium batteries into the smoke alarm battery compartment and replace the battery compartment cover.
- Remove the red plastic dust cover from the smoke alarm. The smoke alarm ships with a dust cover for protection on construction sites with dusty environments.



Using a different battery can affect the detector operation detrimentally. Constant exposures to high or low humidity may reduce battery life.

### Replacing Batteries

Use only 3V lithium CR123A batteries, as listed on the battery compartment cover.

- Remove the smoke alarm from the mounting base (see "Mounting Base Instructions" on page 7).
- Slide the battery compartment cover away from the smoke alarm to unsnap it and lift it off (see the figure on page 3).
- Remove and dispose of the batteries appropriately.
- Observe correct polarity and insert two new 3V lithium batteries into the battery compartment and replace the cover.

Note: Use only new batteries when replacing old batteries. Do not replace with batteries that were used previously.

- Reattach the smoke alarm to the mounting base and test the system.

## 6. Adding to the Control Panel

Each product is programmed with a unique ID when manufactured. The unique ID is enrolled into the control panel at the time of installation, allowing the detector to communicate with that specific control panel.

- Log in to the Settings app with an Installer code.
- In the Settings menu, tap Sensors & Zones > Add a Sensor/Zone.
- Place the smoke alarm in Search mode and prepare it to be added to the control panel (refer to the installation documentation for your sensors). Available sensors meet the following requirements:
  - Defaulted.
  - Not currently paired with another control panel device.
  - Currently in Search mode.
- At the Locating Wireless Sensors screen, tap Next. A Done button appears on the screen and the control panel searches for sensors that are available to be added. As sensors are found, a grayed icon appears for that sensor.
- Fault each found sensor to pair it to the control panel. The icon for each sensor is undarkened as it is faulted and the control panel beeps. The sensor is paired to the control panel.
- When all the sensors are found and paired, tap Stop. Any located sensors that were not paired are released by the control panel and can be added later. The Wireless Sensors Located screen shows the number of wireless sensors found and paired.
- Tap Next. The Configure Wireless Sensors screen shows icons of the sensors that were found and paired.
- Touch each sensor icon to configure the corresponding product. The Add Sensor/Zone Modify screen appears.
- To change the Smoke Icon (if multiple options are available) and the 24-Hour Fire zone function, tap the currently selected value.
- Tap Next. The Add Sensor/Zone Modify screen appears.
- To modify a text field on the control panel, tap the field, use the onscreen keyboard to enter your changes, and tap Done to save your changes.
- When all sensors are configured properly, tap Next in the Configure Wireless Sensors screen.
- If all of the sensors have not been configured, the Modify screen appears for each sensor to let you review its details. Change the details as needed or tap Next to cycle through all the sensors. The sensors are marked as configured.

## 7. Testing the Product

This product may be tested during install or at anytime. It is recommended the product be tested in place annually.

- Use *Smoke! in a can*® and follow the directions on the can.
- Hold a smoldering punk or cotton wick close to the unit and gently direct the smoke into the smoke entry openings for 20 seconds or until an alarm is indicated.

The LED should stay on, the sounder should emit a temporal 3 pattern, and an alarm should be indicated at the control panel. Be sure to extinguish the smoke source after testing!

### Running the RF Communication Test

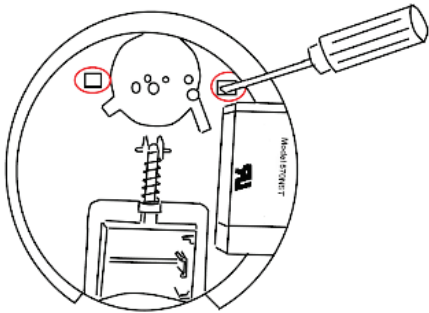
This section provides general guidelines for testing the product with the control panel. For complete testing details, refer to the specific control panel documentation.

- Be sure the product is normal operation.
- Set the control panel to sensor test mode to prevent an alarm signal from being sent to the central-monitoring station if you have a monitored system.
- To generate a test alarm, press and hold Test/Silence button for 4 seconds. An alarm message is sent to the control panel. To generate a tamper alarm, remove the product from the mounting plate. A tamper alarm message is sent to the control panel.
- The control panel beeps and shows the number of RF packets received.
- At the panel, exit sensor test mode.

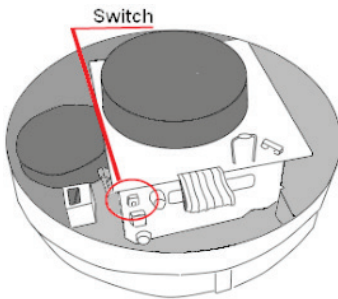
### 8. Defaulting the Detector

This step should only be performed by a qualified service technician.

- Remove the product from the mounting plate.
- Remove the two batteries.
- Remove the product's top cover by releasing the plastic clips starting with the one in the battery well.



- Press the enrollment switch in the RF circuit inside the product and hold until you replace the batteries.



- Replace the batteries while still pressing the enrollment switch then release the switch. The RF Module LED flashes three times to signal the detector is not paired with a control panel.
- Remove the batteries and install the top cover.

### 9. Viewing Zone Event History

To view event history:

- A. Tap the Security widget on the Home screen.
- B. Tap the History tab. The Zone Event History shows the event history.

### 10. Disabling Zones

The system can bypass a zone, so the zone is not monitored when the system is armed. This is useful when a sensor, such as a smoke alarm, is being repaired. You can only change the Bypass state of a zone when the system is disarmed.

The system continues to log the activity of bypassed zones in the Event History (see "View Zone Event History," above).

To bypass a zone:

- A. With the system disarmed, tap the Security app on the Home screen.
- B. Tap the Turn Zone Off button for the smoke alarm. The Turn Zone Off button changes to Turn Zone On.
- C. When the system is disarmed, the Security Status header shows that some zones have been bypassed.

### 11. Deleting the Product from the Control Panel

Deleting a sensor from the premises removes it from being monitored by the customer's system. This is not the same as disabling (bypassing) a sensor. You should delete a sensor only:

- If the product is being removed from the premises
- To reset the product to factory default settings by deleting the product and re-adding it immediately.

To delete a product from the system:

- A. Contact Customer Care to obtain the Premise Passphrase for the current customer account.
- B. Perform steps A through D in Step 6, "Adding to the Control Panel."
- C. When the Technician Settings menu appears, select Sensors & Zones > Delete a Sensor/Zone. The Premise Passphrase keyboard appears.
- D. Enter the Premise Passphrase and click Done. The currently installed sensors/security zones appear.
- E. Tap the zone you want to delete and follow the instructions provided by the Control Panel to delete the sensor and security zone from the current system.

### 12. Maintenance

This product is design for a long service life far beyond 10-years. Even though the control panel indicates when to service this product, several annual and random/as required checks are recommended.

- Annual - Smoke Alarm Test
- Random - visual check for LED flashing every 8 seconds
  - Sensitivity Test
  - Wireless Signal Strength

The control panel indications are Trouble, Clean Me and Low Battery.

- Trouble - the product has an internal fault, which requires technical service.

Clean Me - the product sensitivity is out of range and requires chamber cleaning. This may occur due to dust build up or bug intrusion.

Low Battery - batteries are low and must be replaced to maintain proper operation.

### Smoke Alarm Test

Test the smoke alarm in place annually using Smoke! in a can®, a canned aerosol simulated smoke and follow the directions on the can.

### Sensitivity Test

This product is equipped with an internal diagnostic checking function. The diagnostic indication via flashing LED counts, provide an overall product operational status. After the LED flashes, if the sensitivity is within limits and all other tests pass, the unit goes into alarm mode and resets after 7 seconds. If the sensitivity is not within limits, or an unserviceable hardware fault has been detected, the LED is OFF until the product is serviced. To place the product in diagnostic mode:

- A. Press the Test button on the smoke alarm for 4 seconds. When the test starts, the smoke alarm LED flashes 1 to 9 times.
- B. Count the LED flashes and see the table below to determine the status of the smoke alarm sensitivity and any action to take.

Flashes	Meaning	Steps to Take
1	Unserviceable hardware fault	Reset smoke alarm and rerun the sensitivity test. If error persists, replace smoke alarm.
2 – 3	Smoke alarm is becoming insensitive	Clean smoke alarm, reset it, and rerun the sensitivity test. If error persists, replace smoke alarm.
4 – 7	Smoke alarm is within normal sensitivity range.	None
8 - 9	Smoke alarm is becoming too sensitive.	Verify smoke chamber is snapped down securely. Clean smoke alarm and replace the smoke chamber.

### Wireless Signal Strength

After adding the smoke alarm to the control panel and installing this product, test the signal strength between the control panel and its added sensors/security zones:

- A. Be sure steps A through D in Section 6, "Adding to the Control Panel" have been performed.
- B. When the Technician Settings menu appears, select Sensors & Zones > Sensor Diagnostics.
- C. When the currently installed sensors/ security zones appear, tap the zone you want to test for connectivity and follow the instructions from the control panel.

The Sensor Diagnostic for <Security Zone name> appears as the system detects the current signal strength between the selected sensor and the control panel.

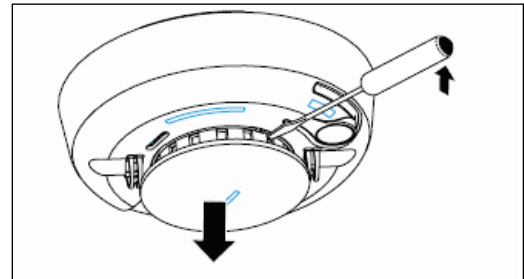
### Trouble

Refer to Section 13 for trouble shooting guidance.

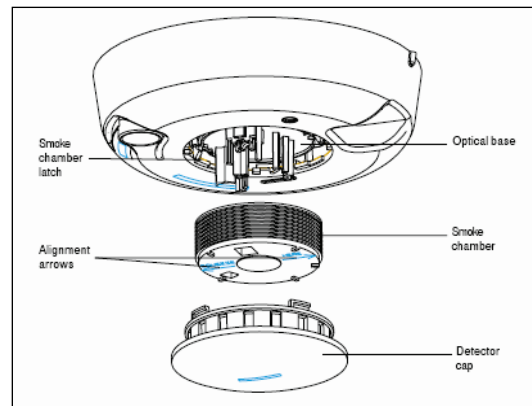
### Clean Me

Clean the smoke alarm cover with a dry or damp (water) cloth as needed to keep it free from dust and dirt. When necessary, use the following procedure to clean the interior of the smoke alarm and replace the smoke chamber.

- A. Notify the Central Monitoring Station that the smoke alarm is being tested. Be sure the system is in Test mode with the Central Monitoring Station.
- B. Remove the smoke alarm from its mounting base.
- C. Remove batteries.
- D. Slide a flat-blade screwdriver in the alarm cap slot. Gently push the handle down to pry the cap up and off.



- E. Squeeze the smoke chamber where indicated by the alignment arrows and pull it up and away from the smoke alarm and discard. See the following figure.



- F. Blow out or use a soft-bristled brush to remove dust and dirt from the smoke chamber base.
- G. Line up the new smoke chamber with the optical base by aligning the arrows on the smoke chamber to the latches on the optical base and snap down into place.
- H. Replace the alarm cap by lining up the cap with the smoke alarm. Then insert the cap into the smoke alarm and turn clockwise approximately 15 degrees. The cap snaps firmly into place when secure.
- I. Insert the batteries into the smoke alarm using the proper polarity, and replace the battery compartment cover.
- J. Reattach the smoke alarm to its mounting base (see "Error! Reference source not found." on this page).
- K. Test the smoke alarm sensitivity and contact the Central Monitoring Station to place the system back online (remove from Test mode).
- L. Verify all auxiliary functions for a complete test of the system.

### Low Battery

Replace the batteries per Section 5 - Installing / Replacing Battery.

### 13. Troubleshooting

#### Detector does not power up properly or reports low battery

Be sure the battery is fully seated within the battery compartment and the polarity is correct.  
Check the battery voltage (3.0 VDC nominal).

#### Control Panel does not respond

Use a wireless RF Sniffer to confirm that the product is sending messages for activation.  
Be sure the detector is enrolled into the control panel properly.  
Be sure you are using a compatible control panel.

#### Tamper condition does not restore

Be sure the product is installed properly onto the mounting plate and the mounting plate has a magnet.  
Be sure there are no trouble indications at the detector.  
Be sure you are using a compatible control panel.

#### If a tamper alarm occurs

Be sure you are using a compatible control panel.  
Be sure the control panel is in sensor test mode during sensor testing.

#### Alarm/open condition does not restore

Be sure the smoke or heat has cleared at the product.  
Be sure you are using a compatible control panel.

### 14. Specifications

Compatible panels	-
Power	two CR123 battery
Battery type	3.0 VDC lithium Panasonic® CR123A, Sanyo® 123A
Standby Current	35 µA (typically)
Battery life	5 years (typically)
Sensor	Photoelectric
Sensitivity	2.2% +/- 1.3% / ft.
Drift Compensation Adj.	0.5% / ft. max.
Heat Detection - Fixed	135°F ± 5°F (57.2°C ± 2.8°C)
Heat Rate-of-Rise	15°F/min > 105°F (8.3°C/min > 40.6°C)
Audible alarm	85 dBa @ 10' (3M) temporal 3
Low Battery Beep	1 every 45 seconds.
RF Wireless Frequency	2.4 GHz
Weight w/battery	0.20 lbs / 0.09 kg
Dimensions	5.6" x 2.4" (14.2cm x 6.1cm)
Storage temperature	-4 to 140°F (-20 to 60°C)
Operating environment	40 to 100°F (4.4 to 37.8°C)
Relative Humidity	0 to 95% non-condensing

### 15. Regulatory Information

Manufacturer: UTC Fire & Security

#### WEEE Directive

2002/96/EC (WEEE directive): Products marked with this symbol cannot be disposed of as unsorted municipal waste in the European Union. For proper recycling, return this product to your local supplier upon the purchase of equivalent new equipment, or dispose of it at designated collection points. For more information see: [www.recyclethis.info](http://www.recyclethis.info).



#### RoHS Directive

2002/95/EC RoHS Compliant. Hereby, UTC Fire & Security declares that this product does not contain lead, mercury, cadmium, hexavalent chromium, polybrominated biphenyls (PBB) or polybrominated diphenyl ethers (PBDE) in more than the percentage specified by EU directive 2002/95/EC, except exemptions stated in EU directive 2002/95/EC annex.

#### UL Rating

ANSI/UL 217 Recognized, ANSI/UL 268 Recognized, C-UL-US, CSFM



Means of Conformity

We declare under our sole responsibility that this product is in conformity with Directive 93/68/EEC (Marking) and Directive 89/336/EEC (EMC) based on test results using (non)-harmonized standards in accordance with the Directives mentioned.

#### FCC Compliance

FCC ID: QPY-5XXNTT-Z  
IC: 8303B-5XXNTT-Z

The device complies with part 15 of the FCC Rules as well as Industry Canada Rules and Regulations license-exempt RSS standard(s). Operation is subject to the following two conditions: (1) This device may not cause harmful interference, and (2) this device must accept any interference received, including interference that may cause undesired operation.

#### Conformité Réglementaire

Ce dispositif est conforme à la réglementation de la IC et (Partie 15) de la FCC. Son fonctionnement est soumis à deux conditions : (1) ce dispositif ne doit pas causer d'interférences nuisibles, et (2) ce dispositif doit accepter toute interférence reçue, y compris les interférences pouvant entraîner des conditions de fonctionnement indésirables.



**WARNING:** Changes to Section 15 – Regulatory Information is strictly prohibited. Any changes or modification made to the product without the permission of the manufacturer could void the user's authority to use this product.

### 16. Product Information

#### Fire Prevention and Escape

The purpose of an early warning smoke alarm is to detect the presence of fire in its early stages and sound an alarm giving the occupant(s) time to exit the premises safely.

#### Avoid Fire Hazards

No detection device can protect life in all situations. Therefore, safeguards should be taken to avoid potentially dangerous situations as follows:

- **Do not** smoke in bed.
- **Do not** leave children home alone.
- **Never** clean with flammable liquids such as gasoline.
- Properly store materials. Use general good housekeeping techniques to keep your home neat and tidy. A cluttered basement, attic, or other storage area is an open invitation to fire.

- Use combustible materials and electrical appliances carefully and only for their intended uses. Do not overload electrical outlets
- **Do not** store explosive and/or fast burning materials in your home.
- Even after proper precautions have been taken, fires can start. **Be prepared.**

### In Case of Fire

In the event of a fire:

- Leave immediately. Don't stop to pack or search for valuables.
- In heavy smoke, hold your breath and stay low, crawl if necessary. The clearest air is usually near the floor.
- If you have to go through a closed door, carefully feel the door and door knob to see if undue heat is present. If they seem cool, brace your foot against the bottom of the door with your hip against the door and one hand against the top edge. Open it slightly. If a rush of hot air is felt, slam the door quickly and latch it. Unvented fire tends to build up considerable pressure. Be sure all members of the household realize and understand this danger.
- Use your neighbor's phone or a street fire alarm box to call the fire department. The job of extinguishing the fire should be left to the professionals.

### Be Prepared

Practice the following steps to prepare you and your family in the event of a fire:

- Perform fire drills regularly. Use them to assure recognition of an alarm signal.
- Draw a floor plan and show two exits from each room. It is important that children be instructed carefully, because they tend to hide in times of crisis.
- Establish one meeting place outside the home. Insist that everyone meet there during an alarm. This will eliminate the tragedy of someone reentering the house for a missing member who is actually safe.
- If you have children and/or physically challenged people residing in your household, use window decals to help emergency personnel identify the sleeping quarters of these individuals.



### WARNING

Smoke Alarms CANNOT provide warnings for fires resulting from explosions, smoking in bed or other furniture, ignition of flammable liquids, vapors and gases, children playing with matches or lighters.

### Limited Warranty

Edwards is a brand of UTC Fire & Security. The manufacturer warrants this product (except batteries) to be free from defects in material and workmanship under conditions of normal use for a term of 3 years from the date of manufacture.

During the warranty period, if a UTC Fire & Security product or any of its components becomes defective, it will be repaired or replaced without charge.

Out-of-warranty units will be repaired at the discretion of the manufacturer or, if not, a card will be forwarded to the customer suggesting a replacement unit and the cost of that unit.

This warranty does not apply to units which have been subject to abuse, misuse, negligence or accident, or to which any modifications, alterations or repairs have been made or attempted.

This warranty is extended only to the original purchaser of the smoke alarm and may be enforced only by such person. During the warranty period, if the alarm or any warranted components thereof becomes defective, it will be replaced or repaired without charge at the manufacturer's discretion if returned in accordance with the following instructions:

Obtain a Return Authorization Number by calling the number below, then carefully pack it in a well padded and insulated carton and return, postal charges prepaid to:

This product is manufactured by Edwards, A UTC Fire and Security Company, 8985 Town Center Parkway, Bradenton FL 34202.

Return units to: UTC – Climate, Controls & Security  
325 N Main St  
Pittsfield, ME 04967  
Phone: 1-207-487-3104

A note should be included advising the nature of the malfunction. Care must be exercised in the proper packing of alarms returned under this warranty as UTC Fire & Security will not be responsible for warranty repairs to equipment damaged because of improper packing.

The above warranty is in lieu of all other express warranties, and implied warranties of merchantability and fitness for a particular purpose are limited in duration for a period of THREE years from the date of manufacture. Under no circumstances shall manufacturer be liable to the purchaser or any other person for incidental or consequential damages of any nature, including without limitation damages for personal injury or damages to property, and however occasioned, whether alleged as resulting from breach of warranty by manufacturer, the negligence of manufacturer or otherwise. Manufacturer's liability will in no event exceed the purchase price of the product. Some states do not allow limitations on how long an implied warranty lasts, or the exclusion or limitation of incidental or consequential damages, so the above limitations and exclusions may not apply to you. Unless a longer period is required by applicable law, any action against manufacturer in connection with this smoke alarm must be commenced within one year after the cause of action has occurred.

No agent, employee or representative of the Manufacturer nor any other person is authorized to modify this warranty in any respect. Repair or replacement as stated above is the exclusive remedy of the purchase hereunder. This warranty gives you specific legal rights and you also have other rights which vary from state to state.

End of document