

562NSTT-OEM-ATT01

Smoke Alarm with Heat Detection Sensor

Product Introduction

This wireless photoelectric smoke alarm and heat detector (product) continually monitors operational status and provides a visual trouble condition if it drifts out of the sensitivity range or fail internal diagnostics. This product meets National Fire Protection Association (NFPA) 72 field sensitivity testing requirements without the need for external meters. The alarm sensitivity level can be determined at the product. Another feature is built-in drift compensation that allows the product to adjust sensitivity automatically as it becomes dirty over time. The drift compensation feature dramatically increases the time between cleanings, and reduces the chance of a nuisance alarm. Additional diagnostic information is activated by applying a magnet near the detector's integral reed switch. This initiates a self-diagnostic routine and provides visual indication of sensitivity level, or if service is required. The product is powered by long-life 3V Lithium batteries providing power to both the sensor and wireless transmitter.

This wireless product works in conjunction with your wireless Control Panel, providing a local indication.

About This Guide

This User Guide describes how to install, operate, and maintain this product. The User Guide is organized as you are intended to use this product, following the step-by-step instructions.

Keep this document in a handy location and refer to it when you have questions about this product and its functions and features. Reading this guide is the only way to learn how to use your product wisely and to know how to react in the event of an alarm.

1. General Information

Congratulations on purchasing your Smoke Alarm with Heat Detection. The product is designed to be used with a Control Panel as part of the Fire and Life Safety signaling device. This product has an optical sensor capable of detecting smoke particles in the event of fire. It also contains an integrated heat sensor that is triggered if a room experiences a sharp rise in temperature in the event of fire.

Parts List

One Smoke Alarm
Two CR123A lithium batteries
Mounting Plate
Mounting Screws and Anchors
User Guide

NFPA Guidelines

NFPA 72, 17.5.3.1 Total (Complete) Coverage

Where required, total coverage shall include all rooms, halls, storage areas, basements, attics, lofts, spaces above suspended ceilings, and other subdivisions and accessible spaces, as well as the inside of all closets, elevator shafts, enclosed stairways, dumbwaiter shafts, and chutes.

NFPA 72, 17.5.3.2 Partial or Selective Coverage

Where codes, standards, laws, or authorities having jurisdiction require the protection of selected areas only, the specified areas shall be protected in accordance with this Code.

NFPA 72, 17.5.3.3 Non-required Coverage

Where installed, detection that is not required by an applicable law, code, or standard, whether total (complete), partial, or selective coverage, shall meet all of the requirements of this Code, with the exception of the prescriptive spacing criteria of Chapter 17.

NFPA 72, 17.6 Heat-Sensing Fire Alarms

Heat-sensing fire alarms shall be installed in all areas where required by the NFPA codes and standards or by the authority having jurisdiction.

NFPA 72, 29.5.1.1 Required Detection for Single- and Multiple-Station Smoke Alarms

Approved, single-station smoke alarms shall be installed as follows:

- (1) In all sleeping rooms (applies to several occupancies including: one- and two-family dwellings; lodging or rooming houses; hotels, motels, and dormitories; apartment buildings; residential board and care facilities; and day-care homes) and guest rooms (applies in the context of hotel and dormitory occupancies)
- (2) Outside of each separate dwelling unit (applies to one- and two-family dwellings and dwelling units of apartment buildings, including condominiums) sleeping area, within 21 ft (6.4 m) of any door to a sleeping room, with the distance measured along a path of travel
- (3) On every level of a dwelling unit, including basements
- (4) On every level of a residential board and care occupancy (small facility), including basements and excluding crawl spaces and unfinished attics
- (5) In the living area(s) of a guest suite (an accommodation with two or more contiguous rooms comprising a compartment, with or without doors between such rooms, that provides living, sleeping, sanitary, and storage facilities)
- (6) In the living area(s) (any normally occupiable space in a residential occupancy, other than sleeping rooms or rooms that are intended for combination sleeping/living, bathrooms, toilet compartments, kitchens, closets, halls, storage or utility spaces, and similar areas) of a residential board and care occupancy (small facility)

2. Mounting Guideline

This product is a member of a reliable, high-quality product family using the latest technology available. Review the information in this section to ensure you get the most out of the product. The information in this User Guide is in accordance with NFPA 72.

Pre-installation Considerations

Install the smoke alarm in accordance with NFPA Standard 72, Chapters 17 and 29. Depending on the application, you may need to reference other chapters of NFPA 72 or NFPA 101.

Choosing an Installation Location

When choosing an installation location, consider:

- Use of structure and type of construction
- Contents you want to protect and their burning characteristics
- Human occupancy
- Total area to be monitored
- Ceiling height and surface condition
- Air movement and vent locations
- Obstructions
- Deflections

After considering these factors, choose a location:

- Where the temperature and humidity are within the product temperature range.
- Away from ventilation sources that can prevent smoke from reaching the smoke alarm.
- 'Smoke alarms and smoke detectors shall not be installed within a 36 in. (910 mm) horizontal path from a door to a bathroom containing a shower or tub unless listed for installation in close proximity to such locations.'

The product shall be located on the ceiling or, if on a sidewall, between the ceiling and 12 in. (300 mm) down from the ceiling to the top of the detector.

In rooms with sloped, or peaked ceilings, place smoke alarms 3 feet (910 mm) down or away from the highest point of the ceiling.

If mounting to suspended ceiling tile, secure the tile with the appropriate fastener to prevent tile removal.

Smoke Alarms are not to be used with alarm guards unless the combination has been evaluated and found suitable for that purpose.

Note: A smoke alarm does not provide warnings for fires resulting from explosions, smoking in bed, or other furniture; ignition of flammable liquids, vapors, and gasses; and children playing with matches or lighters.

Locations to Avoid

- Areas where normal ambient temperature exceeds products operating temperature range.
- Dirty, dusty, insect infested areas.
- In or near areas with combustion particles (kitchens, garages, furnaces, hot-water heaters, gas space heaters).
- On the ceiling in rooms next to kitchens, where there is no transom between the kitchen and such rooms.
- Damp or humid areas, or near bathrooms with showers.
- Near fresh-air inlets or returns or very drafty areas.
- Near heating/air conditioning vents, fans, and fresh air intakes, which can drive smoke away from the smoke alarm.
- In dead-air spaces at the top of peaked ceilings or in corners where walls and ceiling meet. Dead air can prevent smoke from reaching a smoke alarm/alarm.
- Within 10 feet (3 m) of fluorescent light fixtures.
- Not suitable for outdoor use.



WARNING! LIMITATIONS OF SMOKE ALARMS

Wireless smoke alarms are very reliable, but may not work under all conditions. No fire alarm provides total protection of life or property.

Smoke Alarms require a source of power to work.

This smoke alarm will not operate and the alarm will not sound if batteries are dead or not installed properly.

Smoke Alarms may not be heard. A sound sleeper or someone who has taken drugs or alcohol may not awaken if the alarm is installed outside a bedroom. Closed or partially closed doors and distance can block sound. This alarm is not designed for the hearing impaired.

Smoke Alarms may not always activate and provide warning early enough. Smoke alarms only activate when enough smoke reaches the

alarm. If a fire starts in a chimney, wall, roof, on the other side of closed doors, or on a different level of the property, enough smoke may not reach the alarm for it to alarm.

Smoke Alarms are a significant help in reducing loss, injury and even death. However, no matter how good a detection device is, nothing works perfectly under every circumstance and we must warn you that you cannot expect a smoke alarm to ensure that you will never suffer any damage or injury.

Current studies have shown smoke alarms may not awaken all sleeping individuals. It is the responsibility of individuals in the household that are capable of assisting others to provide assistance to those who may not be awakened by the alarm sound, or to those who may be incapable of safely evacuating the area unassisted.

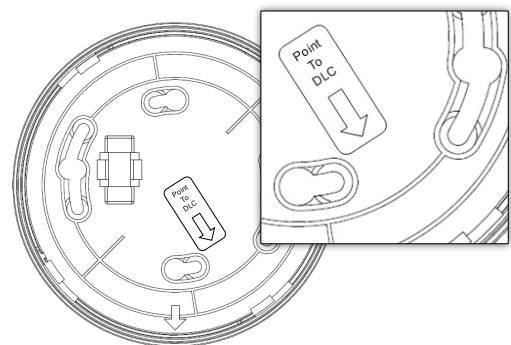


WARNING The product should be installed in a location that must maintain a minimum distance of 7.87 inches (20 cm) between the product and a person.

3. Mounting the Sensor

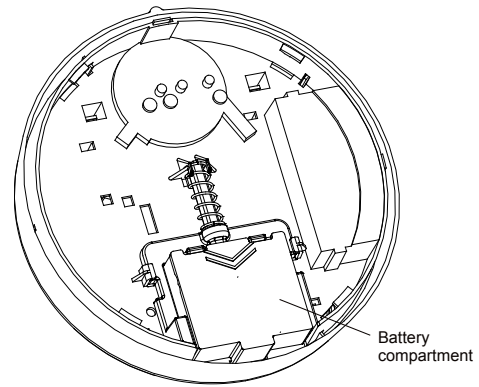
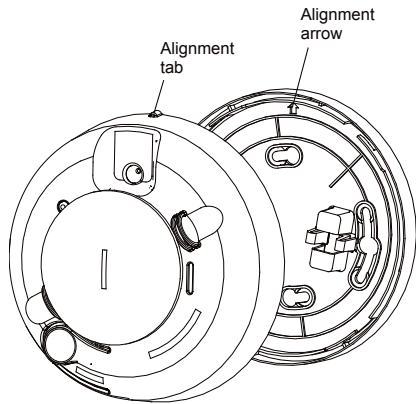
Note: Add the product to the Control Panel before physically mounting the smoke alarm in the desired location.

- Disconnect alarm-notification appliances, service-release devices, and extinguishing systems. Test communications between the control panel and smoke alarm before permanently mounting the smoke alarm as follows:
 - Hold the smoke alarm where you plan to install it.
 - Press the smoke alarm test button for 8-to-10 seconds. The smoke alarm sends a signal to the control panel.
 - At the control panel, verify the signal was received and RF signal strength is adequate. If no signal is received or the RF signal is low, relocate the smoke alarm and retest.
- Using two supplied screws and anchors, mount the base with this arrow pointing towards the wireless Control Panel.



- Attach the smoke alarm to the mounting base as follows:
 - Line up the raised alignment tab on the lip of the smoke alarm with the arrow on the mounting base.
 - Insert the smoke alarm into the base and turn clockwise about 15 degrees until it snaps into place.

Note: The product cannot be attached to the mounting base if no batteries are installed.



- D. Test communications between the control panel and smoke alarm again:
 - Press the Test button on the alarm for 8-to-10 seconds. The smoke alarm sends a signal to the control panel.
 - Verify that the signal at the control panel was received as Acceptable, Good or Best level. See Section 6 for further details.
- E. Test the smoke alarm, see Section 7.
- F. The control panel alarm and all auxiliary functions should be verified for a complete test of the system.

4. Basic Operations

This product is equipped with an intuitive normal mode operation.

Normal Mode Operation

- In normal operation, the Status LED flashes once every 8 seconds.
- In alarm mode, the Status LED is ON – Red Color.
- In trouble or maintenance mode, the Status LED is OFF.
- In battery replacement mode, the product turns OFF the Status LED and chirps every 45 seconds until the batteries are replaced.

Note: The modes can be viewed from the Control Panel.

Silence the Alarm

Press the Test/Silence button to silence the sounder during an alarm. After a few minutes, the sounder and alarm resume if smoke is still present.

5. Installing / Replacing Battery

This product comes with two batteries preinstalled. When you need to replace the battery, use the following procedure.

- A. Slide the battery compartment cover away from the smoke alarm to unsnap it and lift it off.
- B. Observing proper polarity, insert two 3V lithium batteries into the smoke alarm battery compartment and replace the battery compartment cover.
- C. Remove the red plastic dust cover from the smoke alarm. The smoke alarm ships with a dust cover for protection on construction sites with dusty environments.

Using a different battery can affect the detector operation detrimentally. Constant exposures to high or low humidity may reduce battery life.

Replacing Batteries

Use only 3V lithium batteries, as listed on the battery compartment cover.

- A. Remove the smoke alarm from the mounting base (see "Mounting Base Instructions" on page 2).
- B. Slide the battery compartment cover away from the smoke alarm to unsnap it and lift it off (see the figure on page 3).
- C. Remove and dispose of the batteries appropriately.
- D. Observe correct polarity and insert two new 3V lithium batteries into the battery compartment and replace the cover.

Note: Use only new batteries when replacing old batteries. Do not replace with batteries that were used previously.

- E. Reattach the smoke alarm to the mounting base and test the system.

6. Adding to the Control Panel

Each product is programmed with a unique ID when manufactured. The unique ID is enrolled into the control panel at the time of installation, allowing the detector to communicate with that specific control panel.

- A. Set the Digital Life system in Discovery mode using the Digital Life installation tools.
- B. Press and hold the smoke alarm learn button for 2 seconds.
 - The learn LED will slowly blink while the device is being discovered by the system. This process may take as long as 60 seconds.
 - If the device is successfully discovered, the learn LED will turn solid for 15 seconds.
 - If the device is not discovered, the learn LED will blink fast for 15 seconds.
- C. If desired, edit the sensor's name and/or location in the Digital Life system.
- D. If the DLC has a signal strength of Low or Weak for this device, then install a repeater.

7. Testing the Product

This product may be tested during install or at anytime. It is recommended the product be tested in place annually.

- A. Use **Smoke! in a can®**, a canned aerosol simulated smoke, and follow the directions on the can.
- B. Hold a smoldering punk or cotton wick close to the unit and gently direct the smoke into the smoke entry openings for 20 seconds or until an alarm is indicated.

The LED should stay on, the sounder should emit a temporal 3 pattern, and an alarm should be indicated at the control panel. Be sure to extinguish the smoke source after testing!

Running the RF Communication Test

This section provides general guidelines for testing the product with the control panel. For complete testing details, refer to the specific control panel documentation.

- o Be sure the product is normal operation.
- o Using the Digital Life Direct (DLD) web tool, select the smoke alarm.
- o In the signal strength selection, click the enable button.
- o The signal strength test will run for 60 seconds.
- o Once the test has completed, the ping results will show the signal strength of all links (DLC to smoke, DLC to repeater, repeater to smoke).
- o If the DLC has a signal strength of Low or Weak for this device, then install a repeater.

8. Maintenance

This product is designed for a long service life far beyond 10-years. Even though the control panel indicates when to service this product, several annual and random/as required checks are recommended.

- Annual - Smoke Alarm Test
- Random - Visual check for LED flashing every 8 seconds
 - Sensitivity Test
 - Wireless Signal Strength

The control panel indications are Trouble, Clean Me, and Low Battery.

- Trouble - the product has an internal fault, which requires technical service.
- Clean Me - the product sensitivity is out of range and requires chamber cleaning. This may occur due to dust build up or bug intrusion.
- Low Battery - batteries are low and must be replaced to maintain proper operation.

Smoke Alarm Test

Test the smoke alarm in place annually using **Smoke! in a can®** and follow the directions on the can.

Sensitivity Test

This product is equipped with an internal diagnostic checking function. The diagnostic indication uses flashing LED counts to provide an overall product operational status. After the LED flashes, if the sensitivity is within limits and all other tests pass, the unit goes into alarm mode and resets after 7 seconds. If the sensitivity is not within limits, or an unserviceable hardware fault has been detected, the LED is OFF until the product is serviced. To place the product in diagnostic mode:

- A. Press the Test button on the smoke alarm for 4 seconds. When the test starts, the smoke alarm LED flashes 1 to 9 times.
- B. Count the LED flashes and see the table below to determine the status of the smoke alarm sensitivity and any action to take.

| Flashes | Meaning | Steps to Take |
|---------|---|--|
| 1 | Unserviceable hardware fault | Reset smoke alarm and rerun the sensitivity test. If error persists, replace smoke alarm. |
| 2 – 3 | Smoke alarm is becoming insensitive | Clean smoke alarm, reset it, and rerun the sensitivity test. If error persists, replace smoke alarm. |
| 4 – 7 | Smoke alarm is within normal sensitivity range. | None |
| 8 - 9 | Smoke alarm is becoming too sensitive. | Verify smoke chamber is snapped down securely. Clean smoke alarm and replace the smoke chamber. |

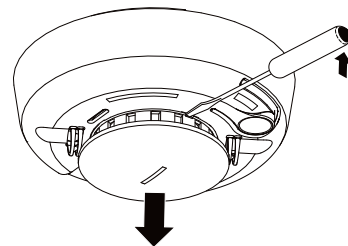
Trouble

Refer to Section 9 for troubleshooting guidance.

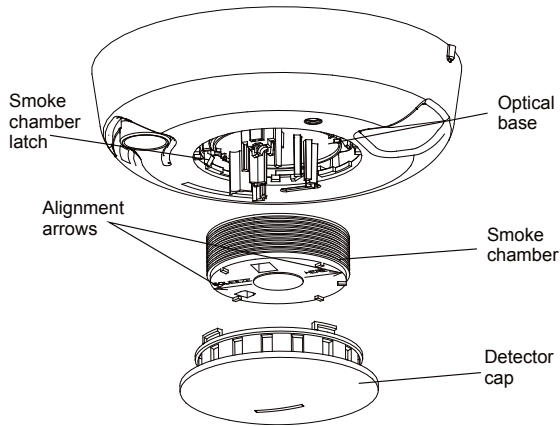
Clean Me

Clean the smoke alarm cover with a dry or damp (water) cloth as needed to keep it free from dust and dirt. When necessary, use the following procedure to clean the interior of the smoke alarm and replace the smoke chamber.

- A. Notify the Central Monitoring Station that the smoke alarm is being tested. Be sure the system is in Test mode with the Central Monitoring Station.
- B. Remove the smoke alarm from its mounting base.
- C. Remove batteries.
- D. Slide a flat-blade screwdriver in the alarm cap slot. Gently push the handle down to pry the cap up and off.



- E. Squeeze the smoke chamber where indicated by the alignment arrows and pull it up and away from the smoke alarm and discard. See the following figure.



- F. Blow out or use a soft-bristled brush to remove dust and dirt from the smoke chamber base.
- G. Line up the new smoke chamber with the optical base by aligning the arrows on the smoke chamber to the latches on the optical base and snap down into place.
- H. Replace the alarm cap by lining up the cap with the smoke alarm. Then insert the cap into the smoke alarm and turn clockwise approximately 15 degrees. The cap snaps firmly into place when secure.
- I. Insert the batteries into the smoke alarm using the proper polarity, and replace the battery compartment cover.
- J. Reattach the smoke alarm to its mounting base (see "Mounting the Sensor").
- K. Test the smoke alarm sensitivity and contact the Central Monitoring Station to place the system back online (remove from Test mode).
- L. Verify all auxiliary functions for a complete test of the system.

Low Battery

Replace the batteries per Section 5 - Installing / Replacing Battery.

9. Troubleshooting

Detector does not power up properly or reports low battery

Be sure the battery is fully seated within the battery compartment and the polarity is correct.
Check the battery voltage (3.0 VDC nominal).

Control Panel does not respond

Use a wireless RF Sniffer to confirm that the product is sending messages for activation.
Be sure the detector is enrolled into the control panel properly.
Be sure you are using a compatible control panel.

Tamper condition does not restore

Be sure the product is installed properly onto the mounting plate and the mounting plate has a magnet.
Be sure there are no trouble indications at the detector.
Be sure you are using a compatible control panel.

If a tamper alarm occurs

Be sure you are using a compatible control panel.
Be sure the control panel is in sensor test mode during sensor testing.

Alarm/open condition does not restore

Be sure the smoke or heat has cleared at the product.
Be sure you are using a compatible control panel.

10. Specifications

| | |
|-------------------------|---|
| Compatible panels | DLC-100 |
| RF Wireless Frequency | 915 MHz (NA) |
| RF Distance – LOS | See Section 6. |
| Power | Two CR123 batteries |
| Battery type | 3.0 VDC lithium Panasonic® CR123A, Duracell DL123A |
| Standby Current | 35 µA (typically) |
| Battery life | 5 years (typically) |
| Sensor | Photoelectric |
| Sensitivity | 2.2% +/- 1.3% / ft. |
| Drift Compensation Adj. | 0.5% / ft. max. |
| Heat Detection - Fixed | 135°F ± 5°F (57.2°C ± 2.8°C) |
| Heat Rate-of-Rise | 15°F/min > 105°F (8.3°C/min > 40.6°C) |
| Audible alarm | 85 dBA @ 10' (3M) temporal 3 |
| Low Battery Beep | 1 every 45 seconds. |
| Weight w/batteries | 0.20 lbs / 0.09 kg |
| Dimensions | 5.6" x 2.4" (14.2cm x 6.1cm) |
| Storage temperature | -4 to 140°F (-20 to 60°C) |
| Operating environment | 32 to 100°F (0 to 38°C) |
| Relative Humidity | 0 to 95% non-condensing |

11. Regulatory Information – pending agency approvals.

Manufacturer: Edwards, A Division of Walter Kidde Portable Equipment, Inc. (Edwards)

RoHs Directive

2011/65/EC RoHS Compliant. Hereby, Edwards declares that this product does not contain lead, mercury, cadmium, hexavalent chromium, polybrominated biphenyls (PBB) or polybrominated diphenyl ethers (PBDE) in more than the percentage specified by EU directive 2011/65/EC, except exemptions stated in EU directive 2011/65/EC annex.

Agency Rating

ANSI/UL 268, CSFM

FCC Compliance

FCC ID: QPY-SA915FFH
IC: 8303B-SA915FFH

The device complies with part 15 of the FCC Rules as well as Industry Canada Rules and Regulations license-exempt RSS standard(s). Operation is subject to the following two conditions: (1) This device may not cause harmful interference, and (2) this device must accept any interference received, including interference that may cause undesired operation.

Conformité Réglementaire

Ce dispositif est conforme à la réglementation de la IC et (Partie 15) de la FCC. Son fonctionnement est soumis à deux conditions : (1) ce dispositif ne doit pas causer d'interférences nuisibles, et (2) ce dispositif doit accepter toute interférence reçue, y compris les interférences pouvant entraîner des conditions de fonctionnement indésirables.



WARNING Changes to Section 11 – Regulatory Information is strictly prohibited. Any changes or modification made to the product without the permission of the manufacturer could void the user's authority to use this product.

12. Product Information

Fire Prevention and Escape

The purpose of an early warning smoke alarm is to detect the presence of fire in its early stages and sound an alarm giving the occupant(s) time to exit the premises safely.

Avoid Fire Hazards

No detection device can protect life in all situations. Therefore, safeguards should be taken to avoid potentially dangerous situations as follows:

- **Do not** smoke in bed.
- **Do not** leave children home alone.
- **Never** clean with flammable liquids such as gasoline.
- Properly store materials. Use general good housekeeping techniques to keep your home neat and tidy. A cluttered basement, attic, or other storage area is an open invitation to fire.
- Use combustible materials and electrical appliances carefully and only for their intended uses. Do not overload electrical outlets
- **Do not** store explosive and/or fast burning materials in your home.
- Even after proper precautions have been taken, fires can start. **Be prepared.**

In Case of Fire

In the event of a fire:

- Leave immediately. Don't stop to pack or search for valuables.
- In heavy smoke, hold your breath and stay low, crawl if necessary. The clearest air is usually near the floor.
- If you have to go through a closed door, carefully feel the door and door knob to see if undue heat is present. If they seem cool, brace your foot against the bottom of the door with your hip against the door and one hand against the top edge. Open it slightly. If a rush of hot air is felt, slam the door quickly and latch it. Unvented fire tends to build up considerable pressure. Be sure all members of the household realize and understand this danger.
- Use your neighbor's phone or a street fire alarm box to call the fire department. The job of extinguishing the fire should be left to trained professionals.

Be Prepared

Practice the following steps to prepare you and your family in the event of a fire:

- Perform fire drills regularly. Use them to assure recognition of an alarm signal.
- Draw a floor plan and show two exits from each room. It is important that children be instructed carefully, because they tend to hide in times of crisis.

- Establish one meeting place outside the home. Insist that everyone meet there during an alarm. This will eliminate the possibility of someone re-entering the house for a missing member who is actually safe.
- If you have children, elderly or anyone requiring additional assistance residing in your household, use window decals to help emergency personnel identify the sleeping quarters of these individuals.



WARNING Smoke Alarms CANNOT provide warnings for fires resulting from explosions, smoking in bed or other furniture, ignition of flammable liquids, vapors and gases, or children playing with matches or lighters.

Limited Warranty

AT&T Digital Life Complete Protection - AT&T Digital Life Complete Protection protects the Digital Life Equipment ("Equipment") that you bought from AT&T.

Complete Protection Period - Complete Protection begins on the date Your Digital Life Equipment is installed and continues for as long as you have the monthly service and are in good standing.

What Is Covered - AT&T will repair or replace Equipment that fails to operate as a result of defects in workmanship and/or materials including electrical failure caused by a direct result of a power surge. The Equipment must be purchased from AT&T or from an AT&T authorized location. Equipment means the Digital Life equipment you purchased from AT&T that connects and is made a part of the AT&T Digital Life system. Equipment will be replaced with those of like kind and quality, and may be new or remanufactured. In most instances, AT&T, who will pay shipping costs, will require you to return your defective Equipment. Complete Protection does not change your original equipment manufacturer's warranty which remains in effect.

For all product returns, including warranty repair/replacements, non-warranty repairs, advance replacements and credit returns call AT&T at 1-855-288-2727.

Return units to: AT&T
13500 Independence Pkwy.
Fort Worth, TX. 76117

This product is manufactured by Edwards, A Division of Walter Kidde Portable Equipment, Inc., 8985 Town Center Parkway, Bradenton FL 34202.

A note should be included advising the nature of the malfunction. Care must be exercised in the proper packing of alarms returned under this warranty as AT&T will not be responsible for warranty repairs to equipment damaged because of improper packing.

No agent, employee or representative of the Manufacturer nor any other person is authorized to modify this warranty in any respect. Repair or replacement as stated above is the exclusive remedy of the purchase hereunder. This warranty gives you specific legal rights and you also have other rights which vary from state to state.

End of document