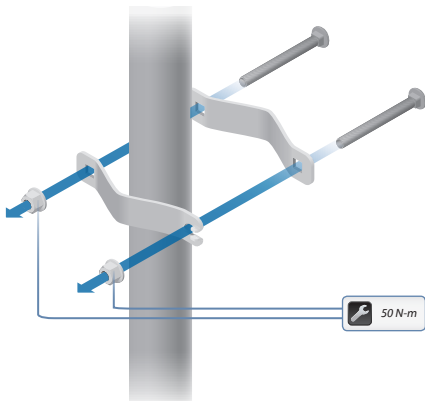


10. Attach the *Stabilizer Brackets* to the pole just beneath the area where the *PowerBeam* will be attached.



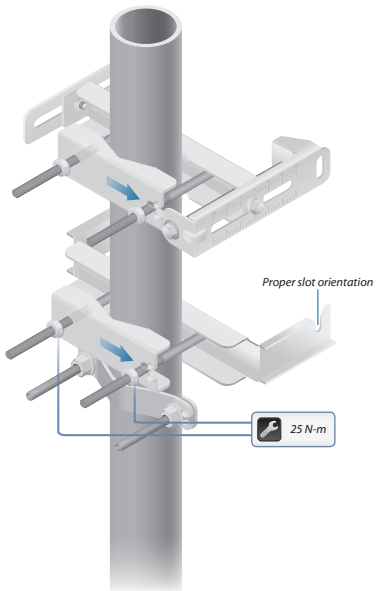
**Note:** The pole-bracket assembly can accommodate a  $\varnothing 38 - 101$  mm pole.

- Place one *Stabilizer Bracket* on each side of the pole.
- Insert the two *M10x100 Bolts* into the *Stabilizer Brackets*.
- Secure each bolt with one *Serrated Flange Nut*.

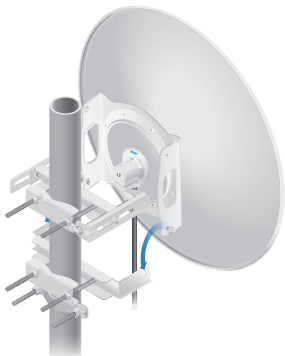


11. Attach the pole-bracket assembly to the pole:

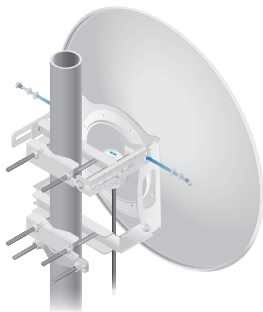
- a. Slide the slot of each *Pole Clamp* over the corresponding *M8x150 Carriage Bolt*.
- b. Tighten the serrated flange nuts of the bolts to secure the pole-bracket assembly to the pole.



12. Lift the *Dish Reflector* and align the two lower *Hex Head Bolts* with the slots on the *Lower Pole Bracket*. Seat the bolts in the slots.



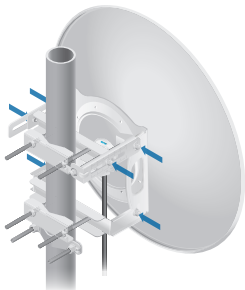
13. Attach each arm of the *Upper Pole Bracket* to the *Mounting Bracket* using a *Hex Head Bolt*, *Lock Washer*, and *Flat Washer*.



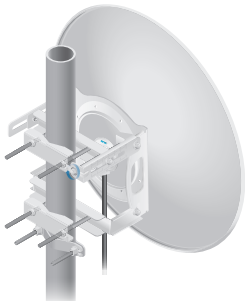
14. Before adjusting the tilt angle, ensure that the six *Hex Head Bolts* are loose enough to allow movement.



**IMPORTANT:** If you cannot spin the washers freely by hand, then loosen the *Hex Head Bolts* until you can.



15. To adjust the tilt angle, turn the screw head of the elevation rod until the desired tilt is reached.



16. Lock the alignment by tightening all six *Flange Bolts* to 25 N-m.

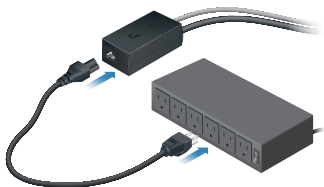
17. Connect the other end of the Ethernet cable from the PowerBeam to the Ethernet port labeled **POE** on the Gigabit PoE Adapter.



18. Connect an Ethernet cable from your LAN or computer to the Ethernet port labeled **LAN** on the adapter.



19. Connect the *Power Cord* to the power port on the adapter. Connect the other end of the *Power Cord* to a power outlet.



640-00147-04

## Mounting the PoE Adapter (Optional)

1. Slide the *PoE Mounting Bracket* down to remove it from the *Gigabit PoE Adapter*.



2. Place the *PoE Mounting Bracket* at the desired location and mark the two holes. Pre-drill the holes if necessary, and then secure the bracket using two fasteners (not included).



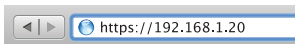
3. Align the slots of the *Gigabit PoE Adapter* with the tabs of the *PoE Mounting Bracket*, and then slide the adapter down.



## Accessing airOS

Verify connectivity in the airOS Configuration Interface.

1. Make sure that your host system is connected via Ethernet to the PowerBeam.
2. Configure the Ethernet adapter on your host system with a static IP address on the 192.168.1.x subnet.
3. Launch your web browser and type **https://192.168.1.20** in the address field. Press **enter** (PC) or **return** (Mac).



4. The login screen will appear. Enter **ubnt** in the *Username* and *Password* fields. Select your *Country* and *Language*. You must agree to the *Terms of Use* to use the product. Click **Login**.

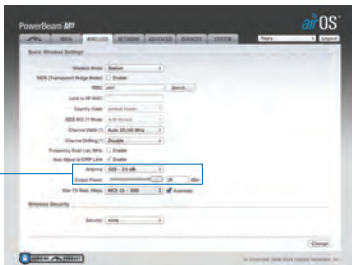


**Note:** U.S. product versions are locked to the U.S. Country Code to ensure compliance with FCC regulations.

The airOS Configuration Interface will appear, allowing you to customize your settings as needed. For details, refer to the User Guide available at [documentation.ubnt.com/airmax](https://documentation.ubnt.com/airmax)

## Installer Compliance Responsibility

Devices must be professionally installed and it is the professional installer's responsibility to make sure the device is operated within local country regulatory requirements.



Since Ubiquiti Networks equipment can be paired with a variety of antennas and cables, the *Antenna* and *Output Power* fields are provided to the professional installer to assist in meeting regulatory requirements.



## Specifications

| PowerBeam PBE-M5-620   |   |
|------------------------|---|
| Dimensions             | 650 x 650 x 386 mm (25.6 x 25.6 x 15.2")                      |
| Weight                 | 6.4 kg (14.11 lb)   |
| Operating Frequency    | Worldwide: 5150 - 5875 MHz<br>USA: 5150-5250, 5725 - 5850 MHz |
| Gain                   | 29 dBi  |
| Networking Interface   | (1) 10/100/1000 Ethernet Port                                 |
| Enclosure              | Outdoor UV Stabilized Plastic                                 |
| Max. Power Consumption | 8.5W  |
| Power Supply           | 24V, 0.5A Gigabit PoE Supply (Included)                       |
| Power Method           | Passive PoE (Pairs 4, 5+; 7, 8 Return)                        |
| Wind Survivability     | 200 km/h (125 mph)  |
| Wind Loading           | 872 N @200 km/h (196 lbf @125 mph)                            |
| Certifications         | CE, FCC, IC   |
| Mounting               | Pole Mounting Kit Included                                    |
| Operating Temperature  | -40 to 70° C (-40 to 158° F)                                  |
| Operating Humidity     | 5 to 95% Noncondensing  |
| Shock and Vibrations   | ETSI300-019-1.4   |