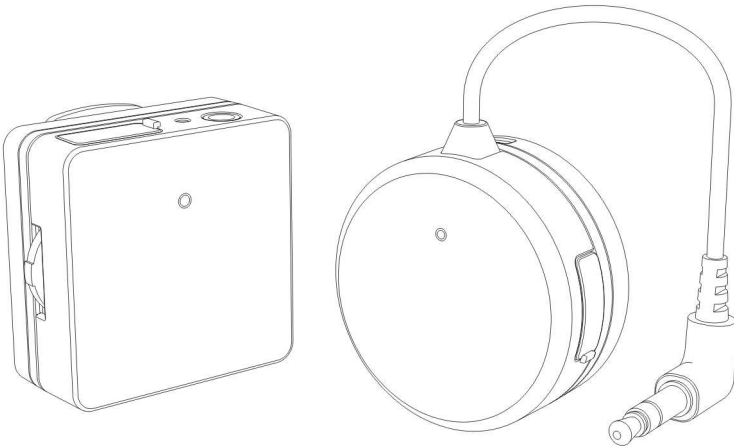


**BH500**

**Portable Wireless Stereo**

**Music Bluetooth Transmitter & Receiver**



**User's Manual**

## INTRODUCTION

Designed for your own convenience, the *Bluetooth®* Stereo Transmitter and Receiver combines the stylish design and reliable technology in the ideal minimized units. This tiny Round-shaped *Bluetooth®* Transmitter can be connected to any music player such as a CD player, MP3 player iPod, TV, HiFi and even handheld game console through 3.5mm stereo plug for stereo streaming. The Square-shaped Receiver, which is designed in a cubic shape, serves to receive audio signals from the Transmitter, or to receive audio signals from your own Bluetooth® music player.

## FEATURES

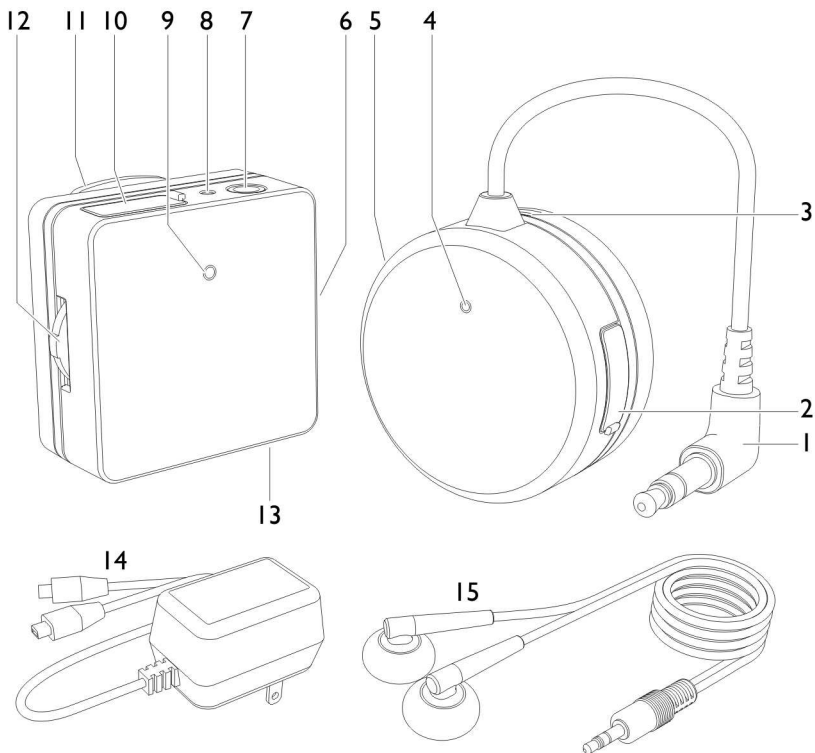
### BLUETOOTH TRANSMITTER :


- Designed for indoor or outdoor use.
- Light in weight, easy to carry with minimal design.
- Can be attached on virtually any surface by supplied Velcro tape.
- Easy to use with any Bluetooth-enabled devices.
- Transmitter connects to most audio devices such as iPods, Hi-Fi or TV via 3.5mm audio jack to enjoy wireless stereo listening.

### BLUETOOTH RECEIVER:

- Designed for indoor or outdoor use for music and phone communication.
- Small in size with high portability.
- Can be clamped on clothing easily.
- Multi-functional control lever for Play, Pause, Fast Forward, Fast Backward\*.
- Supplied charging adapter that enables charging of Transmitter and Receiver simultaneously via Y-shape cable.

## COMPONENT IDENTIFICATION



1. ' Audio In 'Plug
2. Transmitter Charging Jack
3. Lanyard Ring
4. Transmitter LED Indicator
5. Transmitter Power/Pair Button
6. Receiver Volume
7. Earphone Jack
8. Microphone For Mobile Phone (with Bluetooth Technology.) Communication
9. Receiver LED Indicator
10. Receiver Charging Jack
11. Clip with Lanyard Ring
12. Fast Backward / Play / Pause / Fast Forward
13. Receiver Power/Pair Button/()

14. Y-Shape Charging Adapter

15. Earphone

## **INITIAL CHARGING**

Before using the product for the first time, connect the Transmitter and Receiver to USB AC/DC adaptor for charging process. While the charging process begins, the LED Indicator on the Transmitter and Receiver will light up in Green. It takes around 2-3 hours to charge both Transmitter and Receiver for the initial time. After fully charged, the light will turn off.

## **INITIAL PAIRING**

1. Connect the Transmitter to your Audio Source by the 3.5mm Audio Jack
2. Connect the Earphone to your Receiver at the Earphone Jack.
3. Press and hold the Power/Pair Button of the Transmitter for about 5 seconds to switch on the Transmitter, the LED Indicator blinks **slowly** in color Blue, which means the Transmitter is in Pairing Mode.
4. Press and hold the Power/Pair Button of the Receiver for about 5 seconds to switch on the Receiver, the LED Indicator glows in color Green, then blinks **rapidly** in color Blue, which means the Receiver is in Pairing Mode.
5. The Receiver will automatically pair with the Transmitter, and then receives audio signal from the Transmitter.
6. To switch off the Transmitter, press and hold the Power/Pair Button for 3 seconds, the LED Indicator blinks in color Green momentarily, the Transmitter will be switched off automatically.
7. To switch off the Receiver, press and hold the Power/Pair Button for 3 seconds, the LED Indicator blinks in color Green momentarily, the Receiver will be switched off automatically.

### **NOTE:**

During the Pairing mode, if no Pairing is achieved between the Transmitter and Receiver, the Transmitter will be switched off automatically in 2 minutes, and the Receiver will be switched off automatically in 10 minutes.

## OPERATION

### A. Use Bluetooth Transmitter And Receiver With Audio Device Which Does Not Have Bluetooth Technology.

1. Connect the Transmitter to your Audio Source by the 3.5mm Audio Jack
2. Connect the Earphone to your Receiver at the Earphone Jack.
3. Press and hold the Power/Pair Button of the Transmitter for about 3 seconds to switch on the Transmitter, the LED Indicator blinks **slowly** in color Blue.
4. Press and hold the Power/Pair Button of the Receiver for about 3 seconds to switch on the Receiver, the LED Indicator glows in color Green, then blinks **slowly** in color Blue.
5. Play music from your Music Player, adjust Volume on both the Player and Receiver.
6. To switch off the Transmitter, press and hold the Power/Pair Button for 3 seconds, the LED Indicator blinks in color Green, the Transmitter will be switched off automatically.
7. To switch off the Receiver, press and hold the Power/Pair Button for 3 seconds, the LED Indicator glows in color Green, then blinks **rapidly** in color Blue, the Receiver will be switched off automatically.

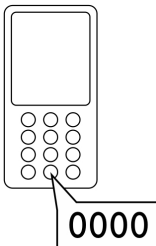
### B. Use Bluetooth Receiver With Other Audio Source Which Has Bluetooth Technology.

1. Switch on the Receiver to Pairing Mode by pressing and holding the Power/Pair Button for about 5 seconds, until the the LED Indicator glows in color Green, then blinks **rapidly** in color Blue.
2. In your own Music Player, turn on the Bluetooth Capability, and switch it to Searching Mode to pair with Receiver.
3. When Pincode is required to be set, use '0000'. Name of the Receiver will be shown as **BH502**.
4. Pairing between Receiver and your Music Player is done.
5. Play music from your Music Player, adjust Volume on both the Player and Receiver.
6. FF / Play / Pause / FB can be controlled by side Control Wheel on the Receiver.

## C. Use Bluetooth Receiver With Mobile Phone Which Has Bluetooth Technology

### (a) Audio Streaming:

1. Switch on the Receiver to Pairing Mode by pressing and holding the Power/Pair Button for about 5 seconds, until the LED Indicator glows in color Green, then blinks **rapidly** in color Blue.
2. Use your phone menu to search for *Bluetooth*® devices, and select "BH502" (BH502 is this Bluetooth receiver identity number)
3. When prompted and request for passkey, enter 0000.



4. The Pairing LED (blue) on the receiver will start flash slowly when both devices were paired successfully.
5. Connect the earphone to the receiver.
6. Plays the music with your cellphone and you can start enjoy the music.

### (b) Hand Free

1. Once your cellphone was paired to the receiver, you can pick up an incoming call with the receiver while listening to music.
2. If there is an incoming call, you will hear a ring tone from the headset.
3. Press the (📞) button to pick up the call, and the music will pause simultaneously.
4. Press the (📞) button again to end up the call, and resume the music playback.

## SPECIFICATIONS

- Bluetooth V2.1 + EDR (compliant V1.1, V1.2 & V2.0) Class II.
- Rechargeable battery on Transmitter and Receiver.
- Up to 10 Meters operating distance.
- Up to 7 hours of working time\*\*.

\*Remote control on Receiver to audio source device if the source supports Bluetooth AVRCP in addition.

\*\*Actual working time will vary according to the working environment.

This device complies with Part 15 of the FCC Rules. Operation of this device is subject to the following two conditions: (1) This device may not cause harmful interference, and (2) this device must accept any interference received, including interference that may cause undesired operation.

NOTE: This equipment has been tested and found to comply with the limits for a Class B digital device, pursuant to part 15 of the FCC Rules. These limits are designed to provide reasonable protection against harmful interference in a residential installation. This equipment generates, uses and can radiate radio frequency energy and, if not installed and used in accordance with the instructions, may cause harmful interference to radio communications. However, there is no guarantee that interference will not occur in a particular installation. If this equipment does cause harmful interference to radio or television reception, which can be determined by turning the equipment off and on, the user is encouraged to try to correct the interference by one or more of the following measures:

- Reorient or relocate the receiving antenna.
- Increase the separation between the equipment and receiver.
- Connect the equipment into an outlet on a circuit different from that to which the receiver is connected.
- Consult the dealer or an experienced radio/TV technician for help.

### WARNING:

Modification of this device to receive cellular radio-telephone service signals is prohibited under FCC rules and Federal Law.

Changes or modifications to this unit not expressly approved by the party responsible for compliance could void the user's authority to operate the equipment.

~End~