

DH900

**2.4GHz DIGITAL
WIRELESS CHIN HEADSET**



User Manual

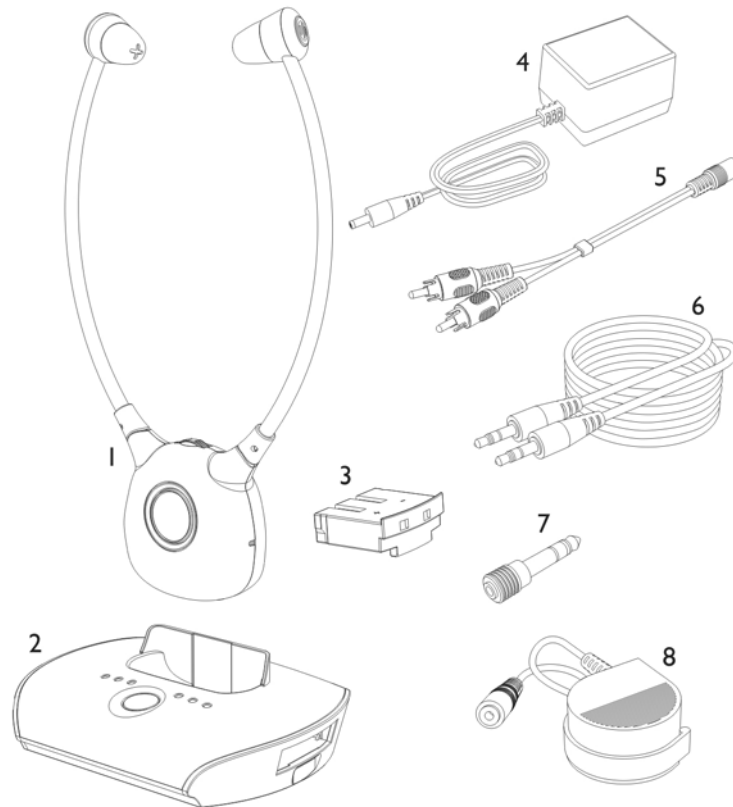
INTRODUCTION

This 2.4GHz DIGITAL WIRELESS CHIN HEADSET uses latest digital wireless technology, and enables to improve the hearing aid capability that may required by the elderly people to enjoy crystal sound stereo music and TV sound anywhere inside your home. Simply connect the transmitter to a desired audio source: DVD player, CD player, TV set, Hi-Fi system, or iPod. Without complicated wiring and installation, the system enables you to enjoy thrilling, lifelike sound in minutes.

FEATURES

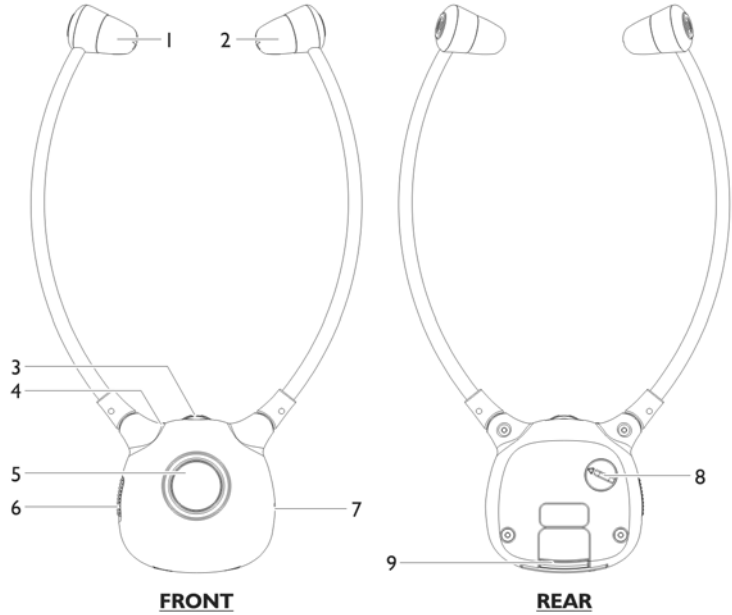
1. 2.4GHz Digital Hopping System Technology
2. Docking Charge Mechanism
3. RF Transmission Auto Off (when without audio signal)
4. Music Muting for Verbal Communications
5. Speed Charging Mechanism
6. Spare Battery Charging Design
7. Microphone Adapter for sound pick up from audio source.
8. Adjustment of Sound Balance
9. Adjustment of Treble/Tone Clarity

COMPONENT PART LIST



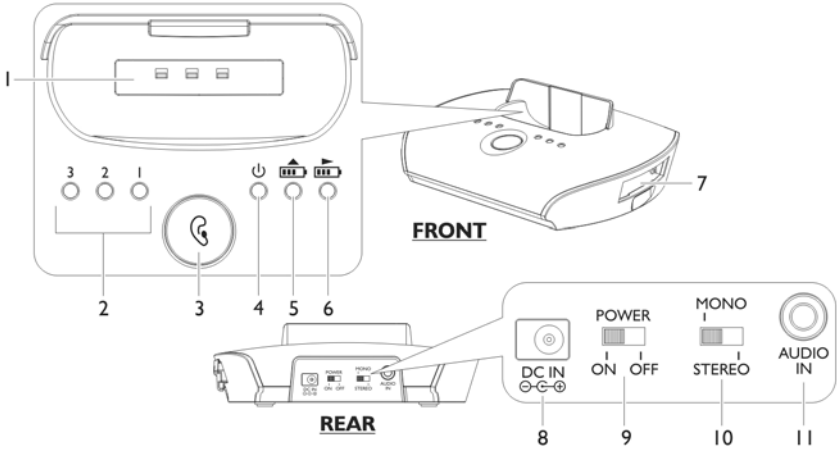
1. Headset Receiver
2. Transmitter
3. Polymer Lithium Rechargeable Battery x 2 pieces
4. AC/DC Adapter
5. RCA Adapter Cable
6. Audio Cable (both ends with 3.5 mm stereo plug)
7. 6.3 mm to 3.5 mm Adapter Plug
8. External Microphone

Function Identification: Headset Receiver



- 1. Right Adjustable Earbud
- 2. Left Adjustable Earbud
- 3. Volume Control
- 4. LED Indicator of Power/Signal
- 5. Mute Button for Verbal Communications
- 6. Power On/Off Switch
- 7. Microphone
- 8. Sound Balance Control (Left/Middle/Right)
- 9. Battery

Function Identification: Transmitter

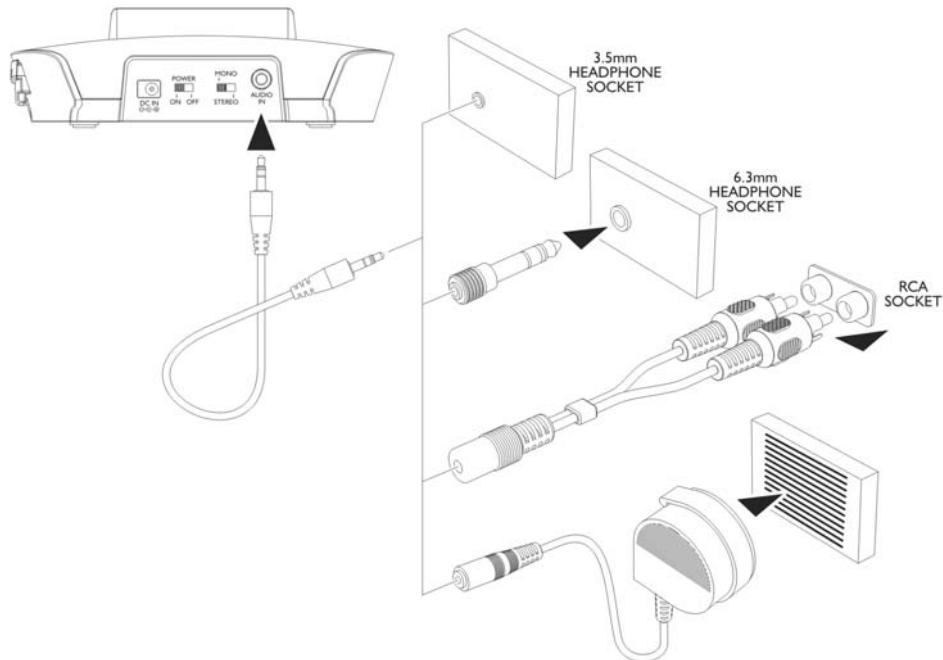


1. Charging Cradle
2. LED Indicator of Tone Clarity
3. Tone Clarity Button
4. LED Indicator of Power/Signal
5. LED Charging Indicator for Main Battery (attached to Headset Receiver)
6. LED Charging Indicator for Spare Battery
7. Spare Charging Slot
8. DC In
9. Power ON/OFF
10. Mono/Stereo Switch
11. 3.5mm Audio In Socket

INSTALLATION

TRANSMITTER

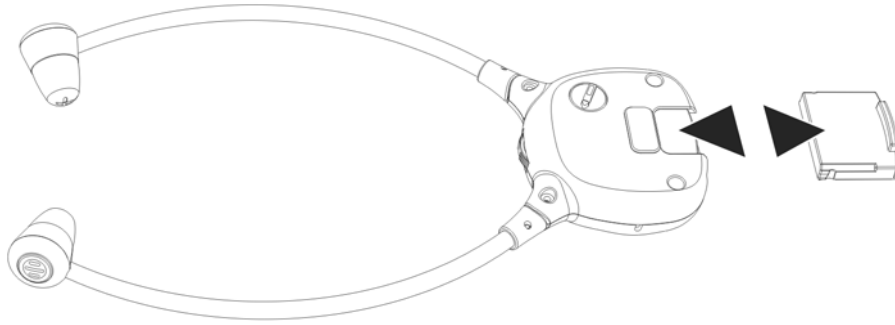
1. Connect the Power Adapter to the DC IN input Socket located on the transmitter rear panel.
2. Connect the Power Adapter provided to an Electrical Outlet.
3. RCA Adapter Cable, Audio Cable, 6.3 mm to 3.5 mm Adapter Plug, External Microphone and are provided for various type of connection to your Audio Source (e.g. TV set, Hi-Fi system, MP3 or iPod).
4. Behind the Transmitter, select the Power ON/OFF Switch to ON position.



The Green Power Indicator LED will blink as soon as you have connected the Power Adapter to the Electrical Outlet, When the Audio Signal is detected from the Audio Source, and the Green LED Indicator will glow constantly.

HEADSET RECEIVER

1. Insert a battery into the Headset Receiver with correct Polarity.



OPERATION

1. Switch on the Audio Source (TV set or audio component) that the Transmitter is connected to. The Green LED Indicator will glow constantly.
2. Select the On/Off Switch in the Headset Receiver to ON position, then the Green Signal LED Indicator glows.
3. Adjust the Volume for desired sound level, then place it on the head.
4. The signal Green LED Indicator on the headphone will blink slowly with "Beep" in every minute when the battery level is low. Recharge the battery.

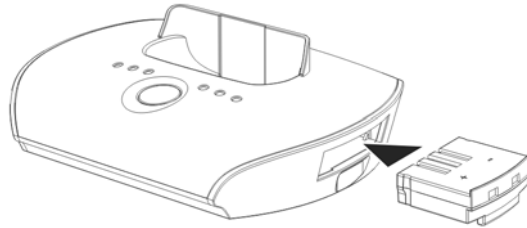
NOTE:

Make sure the batteries provided in the packing, is fully charged before first use. Charge the battery for about 3 hours before first use.

RF Transmission of the Transmitter will automatically switch OFF in approximately 5 minutes if there is no Audio Signal, or the Signal that it receives from the Audio Source is too weak for proper reception. However, if the Signal returns to an acceptable level, the Transmitter will automatically switch ON again.

CHARGING THE BATTERIES

1. Select the On/Off Switch in the Headset Receiver to OFF position.
2. Place the Headphone Receiver on the Transmitter, make sure the Charge Contact touches the Charge Pins on the Transmitter.
3. The Charging process starts automatically. LED Indicator of Main Battery then glows in Red constantly. It will glow in Green about **2** hours after the battery is fully charged.
4. A spare battery is provided for sustained enjoyment. Simply insert it into the Transmitter for Charging. LED Indicator of Spare Battery will then glow in Red constantly. It will glow in Green about **2** hours after it is fully charged.



WARNING:

Never attempt to recharge conventional dry cells.

Batteries (battery pack or batteries installed) shall not be exposed to excessive heat such as sunshine, fire or the like

Never use another type of battery or non-rechargeable batteries to replace the rechargeable batteries supplied.

When the headphones are not in use, move the switch to the OFF position to avoid damaging the batteries.

The batteries must always be fully charged before first use. An initial **3** hours charge is required to guarantee an acceptable service life for the rechargeable batteries. Always ensure that the Headphone Receiver is switched to OFF position while the batteries are charging.

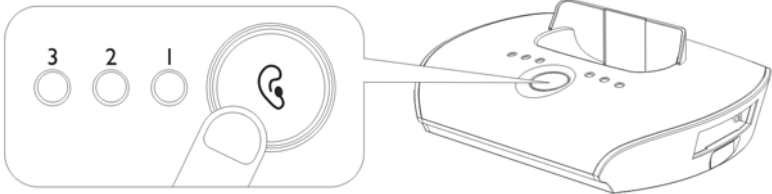
Excessive sound pressure from earphones and headphones can cause hearing loss.

IMPORTANT:

This unit should be operated with rechargeable batteries only. When replacing the batteries or when disposing of the unit, always comply with applicable laws relating to the disposal of batteries. Please place them in a proper disposal container to ensure that they are eliminated safely and in an environmentally friendly way.

TONE CLARITY

When necessary, Tone Clarity to Headset Receiver can be adjusted on the Transmitter, from orange LED of 1, 2 and 3. Simply press the Tone Clarity Button to select and match to your level of hearing aid capability.



The Tone Speech Intelligibility can be enhanced individually on the transmitter with the following settings.

Setting	Orange LED Indicator	Effect
Default		No Adjustment
1		Enhances Treble and Bass
2		Enhances Treble only
3		Enhances Bass only

TECHNICAL SPECIFICATIONS

Transmission mode	: Digital Hopping System
Carrier frequency	: 2.4GHz ISM BAND I
Operating voltage	: Transmitter : 5V 550mA Receiver : 3.7 V, 350 mA Lithium Polymer Battery
Frequency response	: 30 Hz – 20 KHz
Distortion	: <0.5%
Signal-to-noise ratio	: >75 dB
Range	: Up to 25 meters (open area)

TROUBLESHOOTING

NO SOUND

- Ensure that the mains adapter is pushed fully into the power outlet and that its cable is properly connected to the DC IN connector on the transmitter.
- Ensure that the Headset Receiver Power ON/OFF switch is switched to ON.
- The charge level of Battery inside Headset Receiver may be too low. Recharge the battery or replace them with fully charged batteries.
- Ensure that the TV set, Hi-Fi system or audio component is switched ON and set to a channel that broadcasts an audio signal.
- Use the Volume Control on the Headset Receiver to increase the sound level.
- The connected audio/video equipment may not be in playback mode. Start playback on by the equipment.
- The Headset Receiver output level is set too low. Adjust the volume to a suitable level.

DISTORTION

- The charge level of Battery inside Headset Receiver may be too low. Recharge the battery or replace them with fully charged batteries.
- The Headset Receiver may be too far away from the Transmitter. Move closer to it.
- The Audio Signal input level is too low. Increase the volume from the audio source.