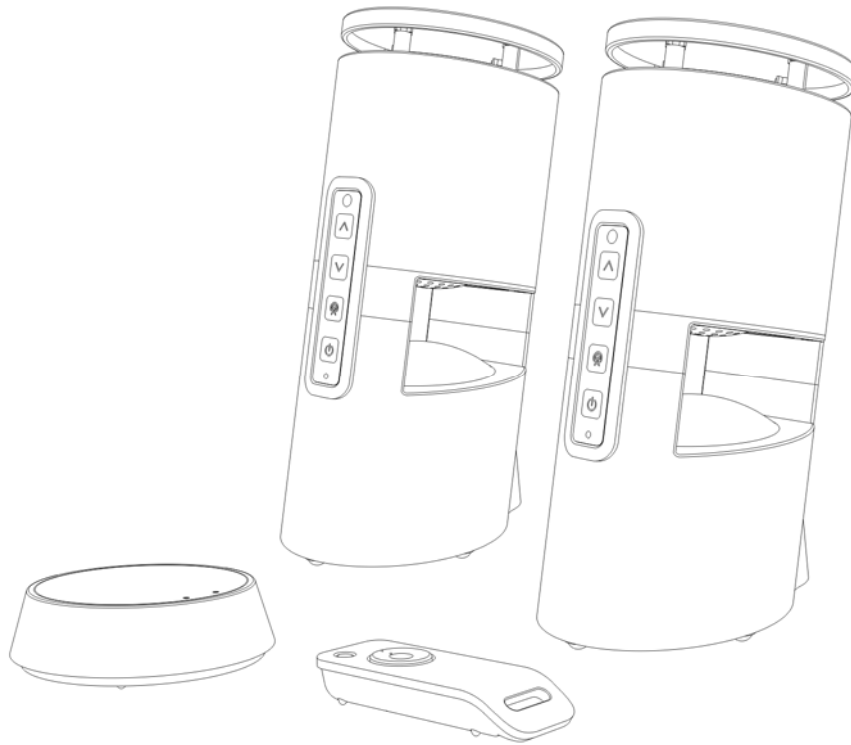


SP4590
Wireless Stereo 900MHz
Speaker System



User's Manual
Please read before using the equipment

INTRODUCTION

This 900 MHz stereo wireless speaker system uses latest wireless technology that enables you to enjoy music and TV sound anywhere inside or outside your home. You can simply connect the system to any audio source such as Radio, TV, VCR, Hi-Fi and iPod/CD/MP3/VCD/DVD player. Without complicated wiring and installation with your Audio/Video equipments and rear channel amplifier, the system enables you to enjoy thrilling, lifelike sound stereo in minutes.

FEATURES

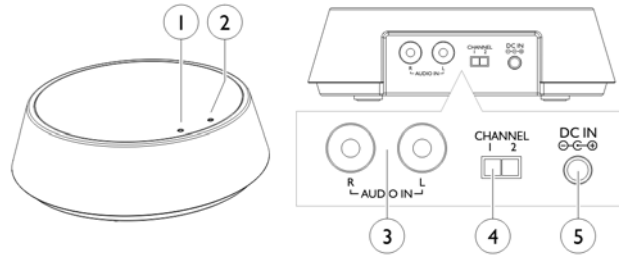
- Automatic Phases Lock Loop (PLL) scanning system on speaker receivers
- Phase Lock Loop (PLL) transmission system on transmitter
- 863 MHz RF technology panel-like speaker systems.
- RF technology lets you roam freely throughout your house.
- Operating distance up to 150 feet
- No line of sight limitation.
- Virtually interference free stereo quality.
- ALC and auto ON/OFF control.
- Auto tuning function.
- Stereo (L and R) and Mono Selection
- Remote Control

PACKAGE INCLUDES

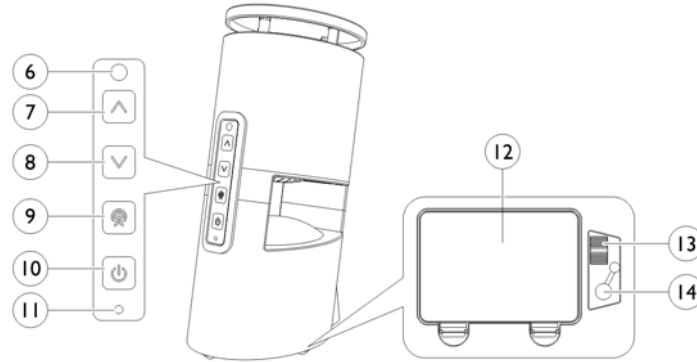
- 1 x Transmitter
- 1 x AC/DC 8V 200mA Power Adaptor for Transmitter
- 2 x Speakers
- 2 x AC/DC 9V 1.2A Power Adaptor for Speakers
- 1 x 1.5M Long Audio Cable
- 1 x Short "Y-Cord" RCA Adapter Cable.

COMPONENT IDENTIFICATION

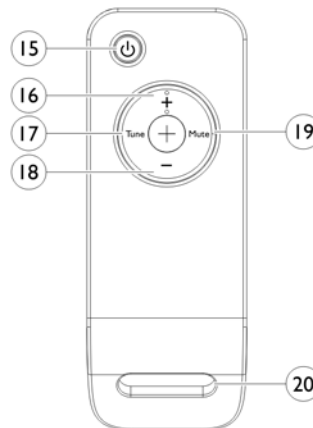
TRANSMITTER



SPEAKER RECEIVERS



REMOTE CONTROL

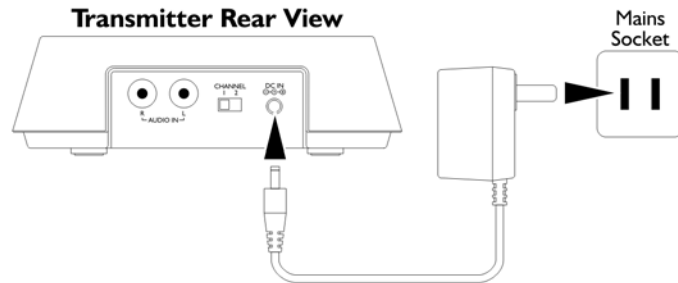


1. Power LED Indicator
2. Signal LED Indicator
3. Audio In
4. Channel Selector
5. DC In For Transmitter
6. InfraRed Receiver
7. Volume Up
8. Volume Down
9. Tune
10. Power On/Off
11. Power/Signal LED Indicator
12. Battery Compartment
13. Left / Mono / Right
14. DC In For Speaker
15. Power On/Off
16. Volume Up
17. Tune
18. Volume Down
19. Mute
20. Lanyard Ring

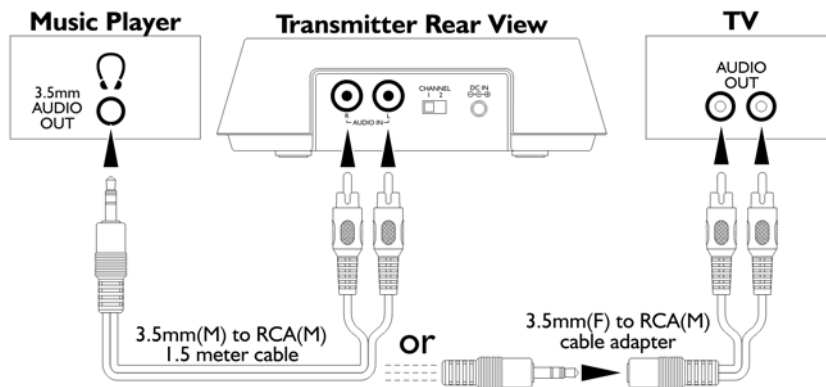
INSTALLATION

TRANSMITTER

1. Plug the supplied 8V AC/DC power adaptor in the DC jack located on the rear of the transmitter.
2. Connect the supplied 8V AC/DC power adaptor to an electrical wall outlet. The Power LED then glows.



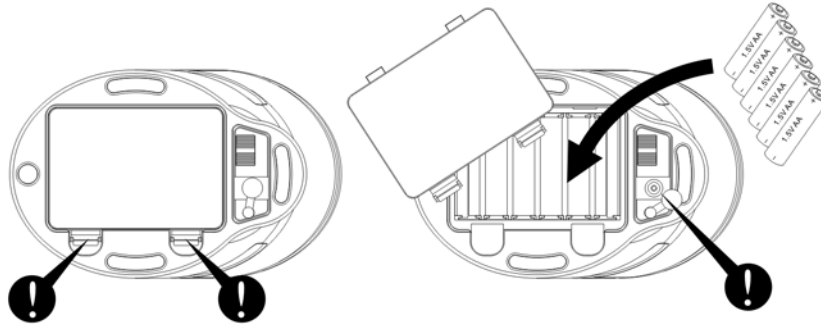
3. The transmitter can be connected to audio output jack of TV, Monitor, VCR, Radio, CD, MP3/iPod, VCD or DVD players with the cables provided.



Having finished the above simple wiring, Signal LED glows when the transmitter detects audio input signal played from the source.

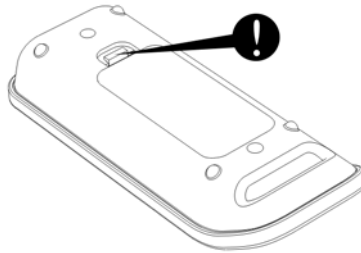
SPEAKER RECEIVERS

1. Remove the door of the battery compartment.
2. Insert 6 pieces of 'AA' size ALKALINE batteries into the battery compartment with correct polarity under the speakers, then replace the door of battery compartment, **or** connect the provided AC/DC 9V Adaptor to the DC input jack under the speakers, then plug it to the wall AC outlet.



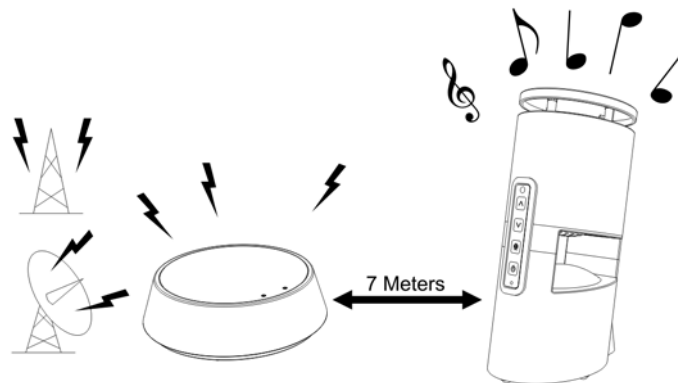
REMOTE CONTROL

1. Remove the door of the battery compartment.
2. Insert 2 x AAA 1.5V batteries(not included) into the compartment.



OPERATION

1. Turn on the audio source to which the transmitter is connected with. The Signal LED on transmitter will light up.
2. Select a channel of the transmitter for best performance in your location.
3. Select the L/M/R (Left/Mono/Right) selector under the speakers, one to L (Left) and the other to R (Right) for the best stereo reception. In case the audio device only provides Mono audio signal, select to M (Mono) for the best mono reception.
4. Press the "POWER" button on the speaker to turn on the speaker. Press the "TUNE" button to get the best tuning reception in the speakers. When the button is pressed, frequency tuning starts automatically and it stops when a signal is detected.
5. Volume can be adjusted up from the speaker by pressing " ^ " button or down by pressing the button " v ", or by pressing " + " or " - " on the remote control, to the desired listening level.
6. Tuning
 - a) Keep a distance of 7 meters between speaker and transmitter, and then press the button " TUNE " button for best tuning reception.
 - b). Once the frequency is jammed, select another channel on the transmitter, then press " TUNE " button again.
7. Switching Off
 - a) For protection of the transmitter and power saving, the transmitter will cut off automatically if there is no/weak operation input signal from audio source for 4 minutes. In other words, if the signal comes back, the transmitter will work again automatically.
 - b) Press the "POWER" button to turn off the speaker and the LED light goes off.



NOTE :

You should now be able to place the speakers freely from room to room without disruption. If disruption should occur (signal breaks up), press the "TUNE" button under the speakers to maximize best reception.

If you hear interference from other components, switch the channel control of transmitter, and then move the speakers to other free location. You can re-adjust the tuning control by moving it among channels of the transmitter, then pressing "TUNE" button of the speakers for best reception.

When transmitting / receiving over long distances, the signal from the system will become weaker.

TROUBLE SHOOTING**NO SOUND**

- Ensure the AC adaptor is fully inserted into the AC outlet and the power connection input on the transmitter.
- Ensure the speaker is switch ON.
- Speaker's battery capacity is too low, replace with new batteries or connect the AC adaptors to the speakers.
- Ensure the TV or audio component is ON.
- The connected audio / video equipment is not playing. Start playing the equipment.
- The volume of speaker is too low, adjust the volume to an appropriate level.

DISTORTED

- Press the "TUNE" button under the speakers until the frequency between the transmitter and speakers are matched.
- Change the position of the channel selector on the transmitter. You must then press the "TUNE" button on the speakers.
- Battery capacity is too low. Replace with the new battery.
- Ensure the volume level of speakers is adjusted properly.
- The speaker is too far away from transmitter, move them closer.
- The input level of the audio signal is too low. Turn up the volume of the audio source equipment.

TECHNICAL SPECIFICATIONS

Transmission Mode	: UHF stereo
Carrier Frequency	: 900 MHz
Operation Voltage	: Transmitter, AC/DC 8V 200mA Power Adaptor Speaker, AC/DC 9V 1.2A Power Adaptor, or 6 X 'AA' size Alkaline Batteries (not included) Remote Control, 2 x AAA battery (not included)
Frequency Response	: 40Hz – 12KHz
Distortion	: 1.5%
S/N Ratio	: 65dB
Channel Separation	: 30dB
Operation Distance	: Up to 150 feet (open area)
Output Power	: 2 x 4W (RMS)

WARNING : Batteries (battery pack or batteries installed) shall not be exposed to excessive heat such as sunshine, fire or the like.

FCC STATEMENT:

FCC Caution: Any changes or modifications not expressly approved by the party responsible for compliance could void the user's authority to operate this equipment.

This device complies with Part 15 of the FCC Rules. Operation is subject to the following two conditions: (1) This device may not cause harmful interference, and (2) this device must accept any interference received, including interference that may cause undesired operation.

IC STATEMENT:

Any changes or modifications not expressly approved by the party responsible for compliance could void the user's authority to operate this equipment.

This device complies with RSS 210 of Industry Canada.

**"Operation is subject to the following two conditions: (1) this device may not cause interference,
and (2)**

**this device must accept any interference, including interference that may cause undesired
operation of the device."**

This Class B digital apparatus complies with Canadian ICES-003."

**This device and its antenna(s) must not be co-located or operating in conjunction with any
other antenna or transmitter.**