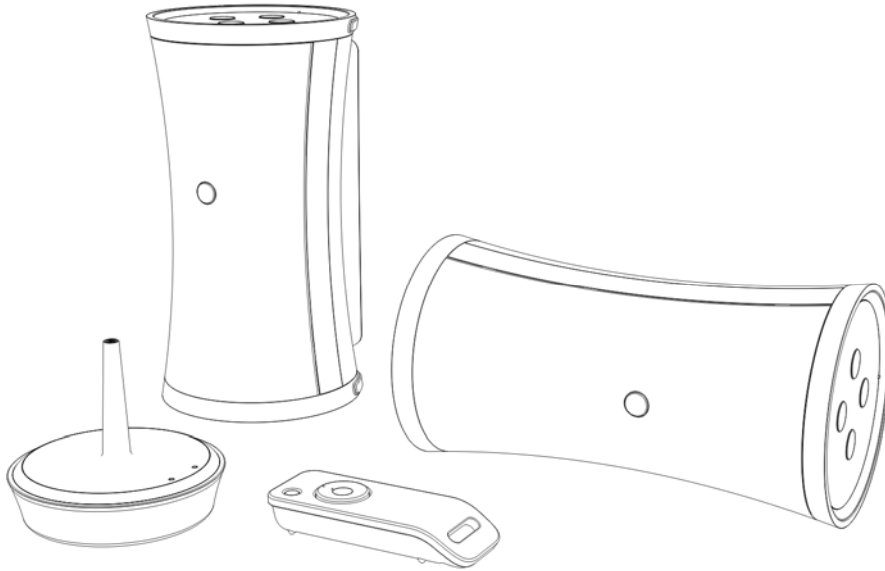


SP4790A

900MHz Wireless Speaker



User's Manual

Please read before using the equipment

INTRODUCTION

This 900 MHz stereo wireless speaker system uses latest wireless technology that enables you to enjoy music and TV sound anywhere inside or outside your home. You can simply connect the system to any audio source such as Radio, TV, VCR, Hi-Fi and iPod/CD/MP3/VCD/DVD player. Without complicated wiring and installation with your Audio/Video equipments and rear channel amplifier, the system enables you to enjoy thrilling, lifelike sound stereo in minutes.

FEATURES

- Phase Lock Loop (PLL) transmission system on product.
- 900 MHz RF technology stereo speaker systems.
- RF technology lets you roam freely throughout your house.
- Vertical and Horizontal Positioning
- Operating distance up to 50 Meters
- No line of sight limitation.
- Virtually interference free stereo quality.
- Wall-Mountable
- ALC and auto ON/OFF control.
- Auto tuning function.
- Stereo (L and R) and Mono Selection
- Remote Control is provided

PACKAGE INCLUDES

1 x Transmitter

1 x AC/DC 8V 200mA Power Adaptor for Transmitter

2 x Speakers

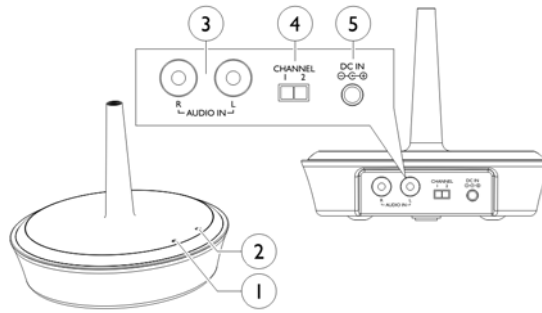
2 x AC/DC 9V 1.2A Power Adaptor for Speakers

1 x 1.5M Long Audio Cable

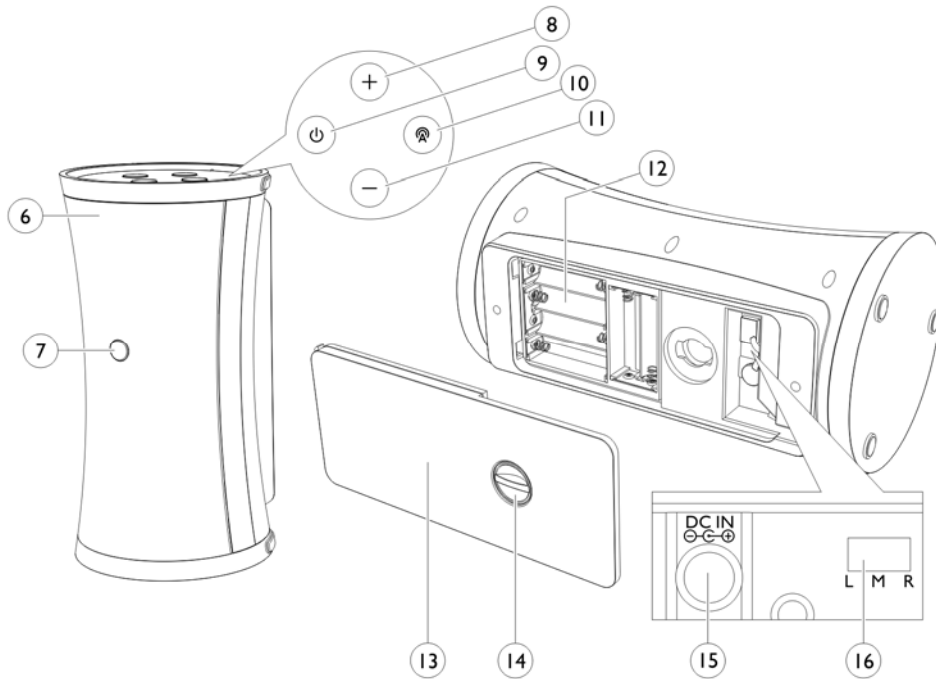
1 x Short "Y-Cord" RCA Adaptor Cable.

COMPONENT IDENTIFICATION

TRANSMITTER

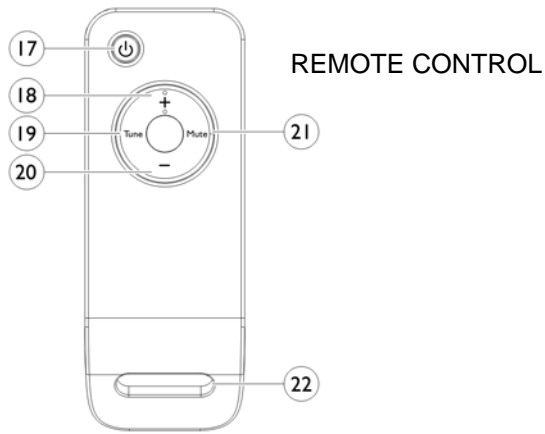


SPEAKER RECEIVERS



1. Power LED Indicator
2. Signal LED Indicator
3. Audio In
4. Channel Selector
5. DC In For Transmitter
6. Speaker Grill and Power/Signal LED Indicator
7. Infrared Receiver
8. Volume Up

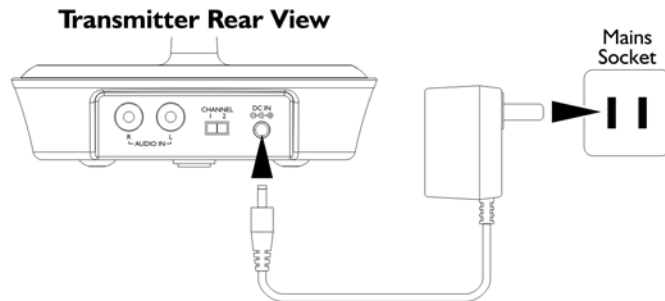
9. Power On/Off
10. Tune
11. Volume Down
12. Battery Compartment
13. Battery Door
14. Door Lock
15. DC In For Speaker
16. Left/Mono/Right Selection
17. Power On/Off
18. Volume Up
19. Tune
20. Volume Down
21. Mute
22. Lanyard Ring



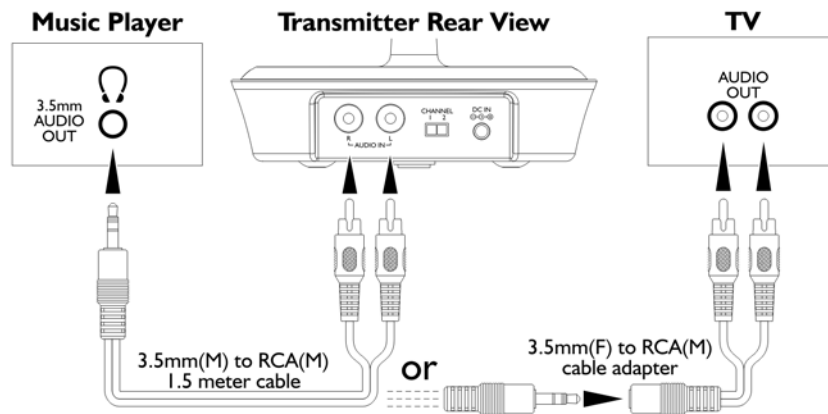
INSTALLATION

TRANSMITTER

1. Plug the supplied 8V AC/DC power adaptor in the DC jack located on the rear of the transmitter.
2. Connect the supplied 8V AC/DC power adaptor to an electrical wall outlet. The Power LED then glows.



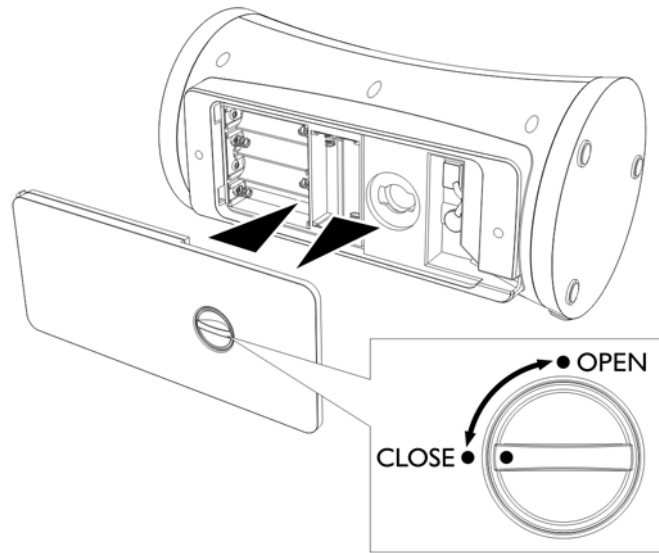
3. The transmitter can be connected to audio output jack of TV, Monitor, VCR, Radio, CD, MP3/iPod, VCD or DVD players with the cables provided.



Having finished the above simple wiring, Signal LED glows when the transmitter detects audio input signal played from the source.

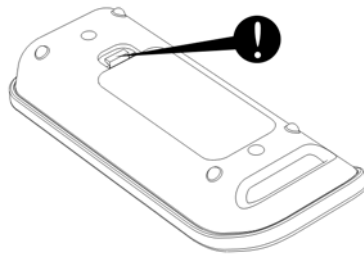
SPEAKER RECEIVERS

1. Remove the door of the battery compartment.
2. Insert 6 pieces of 'AA' size ALKALINE batteries (not included) into the battery compartment with correct polarity under the speakers, then replace the door of battery compartment, **or** connect the provided AC/DC 9V Adaptor to the DC input jack under the speakers, then plug it to the wall AC outlet.



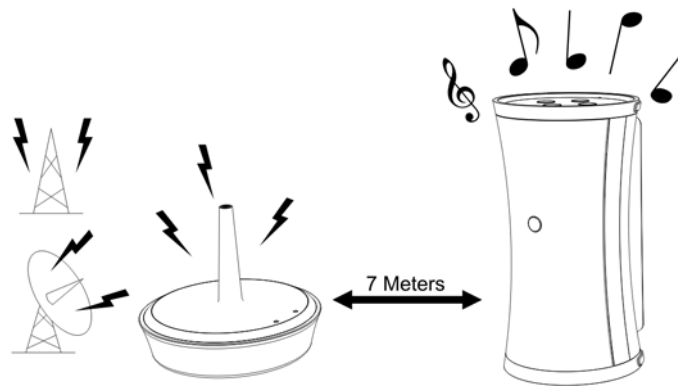
REMOTE CONTROL

1. Remove the door of the battery compartment.
2. Insert 2 x AAA 1.5V batteries (not included) into the compartment.



OPERATION

1. Turn on the audio source to which the transmitter is connected with. The Signal LED on transmitter will light up.
2. Select a channel of the transmitter for best performance in your location.
3. Select the L/M/R (Left/Mono/Right) selector under the speakers, one to L (Left) and the other to R (Right) for the best stereo reception. In case the audio device only provides Mono audio signal, select to M (Mono) for the best mono reception.
4. Press the "POWER" button on the speaker to turn on the speaker. Press the "TUNE" button to get the best tuning reception in the speakers. When the button is pressed, frequency tuning starts automatically and it stops when a signal is detected.
5. Volume can be adjusted up from the speaker by pressing " ^ " button or down by pressing the button " v ", or by pressing " + " or " - " on the remote control, to the desired listening level.
6. Tuning
 - a) Keep a distance of 7 meters between speaker and transmitter, and then press the button " TUNE " button for best tuning reception.
 - b). Once the frequency is jammed, select another channel on the transmitter, then press " TUNE " button again.
7. Switching Off
 - a) For protection of the transmitter and power saving, the transmitter will cut off automatically if there is no/weak operation input signal from audio source for 4 minutes. In other words, if the signal comes back, the transmitter will work again automatically.
 - b) Press the "POWER" button to turn off the speaker and the LED light goes off.



NOTE :

You should now be able to place the speakers freely from room to room without disruption. If disruption should occur (signal breaks up), press the "TUNE" button under the speakers to maximize best reception.

If you hear interference from other components, switch the channel control of transmitter, and then move the speakers to other free location. You can re-adjust the tuning control by moving it among channels of the transmitter, then pressing "TUNE" button of the speakers for best reception.

When transmitting / receiving over long distances, the signal from the system will become weaker.

TROUBLE SHOOTING**NO SOUND**

- Ensure the AC adaptor is fully inserted into the AC outlet and the power connection input on the transmitter.
- Ensure the speaker is switch ON.
- Speaker's battery capacity is too low, replace with new batteries or connect the AC adaptors to the speakers.
- Ensure the TV or audio component is ON.
- The connected audio / video equipment is not playing. Start playing the equipment.
- The volume of speaker is too low, adjust the volume to an appropriate level.

DISTORTED

- Press the "TUNE" button under the speakers until the frequency between the transmitter and speakers are matched.
- Change the position of the channel selector on the transmitter. You must then press the "TUNE" button on the speakers.
- Battery capacity is too low. Replace with the new battery.
- Ensure the volume level of speakers is adjusted properly.
- The speaker is too far away from transmitter, move them closer.
- The input level of the audio signal is too low. Turn up the volume of the audio source equipment.

TECHNICAL SPECIFICATIONS

Transmission Mode	: UHF stereo
Carrier Frequency	: 900 MHz
Operation Voltage	: Transmitter, AC/DC 8V 200mA Power Adaptor Speaker, AC/DC 9V 1.2A Power Adaptor, or 6 X 'AA' size Alkaline Batteries (not included) Remote Control, 2 x AAA battery (not included)
Frequency Response	: 40Hz – 12KHz
Distortion	: 1.5%
S/N Ratio	: 65dB
Channel Separation	: 30dB
Operation Distance	: Up to 50 meters (open area)
Output Power	: 2 x 4W (RMS)

WARNING:

- 1. Batteries (battery pack or batteries installed) shall not be exposed to excessive heat such as sunshine, fire or the like.**
- 2. This product shall not be exposed to dripping or splashing and that no objects filled with liquids, such as vases, shall be placed on the product.**
- 3. Where the mains plug is used as the disconnect device for the product, the disconnect device shall remain readily operable.**