

TWO LINE 39213 USER MANUAL 1999.11.06  
FCC INFORMATION

-CHK -  
B: 5250  
H: 4480

## FCC Regulations

This equipment has been tested and complies with the limits for a Class B digital device, pursuant to part 15 of the FCC rules. These limits are intended to provide reasonable protection against such interference in a residential installation. This equipment generates, uses, and can radiate radio frequency energy and if not installed and used in accordance with the instructions, may cause harmful interference to radio communications. However, there is no guarantee that interference will not occur in a particular installation. If this equipment does cause harmful interference to radio or television reception, which can be determined by turning the equipment off and on, the user is encouraged to try to correct the interference by one or more of the following measures.

- . Reorient or relocate the receiving antenna.
- . Increase the separation between the equipment and receiver.
- . Connect the equipment into an outlet on an electrical circuit different from that to which the receiver is connected.
- . Consult the dealer or an experienced radio/TV technician.

Upon request from your telephone company, you must provide the FCC registration number and the Ringer Equivalence Number (REN) found on the bottom of your 39213.

A FCC compliant telephone cord and modular plug are provided with this equipment. This equipment is designed to be connected to the telephone network or premises wiring using a compatible modular jack, which is Part 68 compliant.

Changes or modifications not expressly approved in writing by Unical Enterprises, Inc. may void the user's authority to operate this equipment.

Some cordless phones operate at frequencies that may cause interference to nearby TVs and VCRs; to minimize or prevent such interference, the base of the cordless phone should not be placed near or on top of a TV or VCR; and, if interference is experienced, moving the cordless telephone farther away from the TV or VCR will often reduce or eliminate the interference.

## Telephone Company Procedures

The goal of the telephone company is to provide you with the best service it can. In order to do this, it may occasionally have to make changes in its equipment, operations, or procedures. If these changes might affect your service or the operation of your equipment, the telephone company will give you notice in writing to allow you to make any changes necessary to maintain uninterrupted service. If you have any questions about your telephone line, such as how many pieces of equipment you can connect to it, the telephone company will provide this information upon request.

In certain circumstances, it may be necessary for the telephone company to request information from you about the equipment which you have connected to your telephone line. Upon request of the telephone company, you must provide the FCC registration number and the Ringer Equivalence Number (REN) of the equipment which is connected to your line.

Both of these numbers are listed on the equipment label on the bottom of your 39213.

In most (but not all) areas, the sum of the RENs of all devices connected to one line should not exceed 5. To be certain of the number of devices you may connect to your line as determined by the REN, you should contact your local telephone company.

Note: This equipment is hearing aid-compatible (HAC).

## Type of Service

Your cordless telephone is designed for use on standard device telephone lines. The phone connects to the telephone line with a standard jack called the USOC-R111C. Connection to telephone company-provided coin service (central office implemented systems) is prohibited. Connection to party line service is subject to State tariffs.

## If Problems Arise

If any of your telephone equipment is not operating properly, you should immediately remove it from your telephone line, as it may cause harm to the telephone network. If the telephone company notes a problem, they may temporarily stop service. When practical, they will notify you before this disconnection. If advance notice is not feasible, you will be notified as soon as possible. When you are notified, you will be given the opportunity to correct the problem and will be informed of your right to file a complaint with the FCC.

In the event repairs are ever needed on your cordless telephone, they should be done by an authorized representative of

For information, contact



## Industry Canada(IC)regulations

This Class B digital apparatus meets all requirements of the Canadian Interference-Causing Equipment Regulations.

Cet appareil numérique de la classe B respecte toutes les exigences du Règlement sur le matériel brouilleur du Canada.

Notice: The Canadian Department of Communications label identifies certified equipment. This certification means the equipment meets certain telecommunications network Protective, operational and safety requirements. The Department does not guarantee the equipment will operate to the customer's satisfaction.

Before installing this equipment users should ensure that it is permissible to be connected to the facilities of the local telecommunications company. The equipment must also be installed using an acceptable method of connection. Sometimes, the company's inside wiring associated with a single line individual service may be extended with a certified connector assembly (telephone extension cord). The customer should be aware that compliance with these conditions may not prevent degradation of service in some situations.

Repairs to certified equipment should be made by an authorized Canadian maintenance Facility by the supplier. Any equipment malfunctions or repairs or alterations made by The user to the equipment may give the telecommunications company cause to request the user to disconnect the equipment.

Users should ensure, for their own protection, that the electrical ground connections of the power utility, telephone lines and internal metallic water pipe system, if present, are connected. The precaution may be particularly important in rural areas.

Caution: Users should not attempt to make such connections themselves, but should contact the appropriate electric inspection authority or electrician.

The Load Number assigned to each terminal device denotes the percentage of the total load to be connected a telephone loop, which is used by the device to prevent overloading. The termination on a loop may consist of any combination of devices subject to the requirement that the total of the load numbers of all the devices does not exceed 100.

## SPECIFICATION

### . General

Operation mode: FM  
MSK 1.6Kbps

### Operating frequency

902.125MHz - 903.975MHz 40 channels  
926.125MHz - 927.975MHz 40 channels

### . Base unit

Power source :DC 9V 300mA power source

**K BELL**

### . Handset

Power source: Rechargeable battery

MEMORY DIALING: 16 DIGITS 10 LOCATIONS



REDIALING: 22 DIGITS

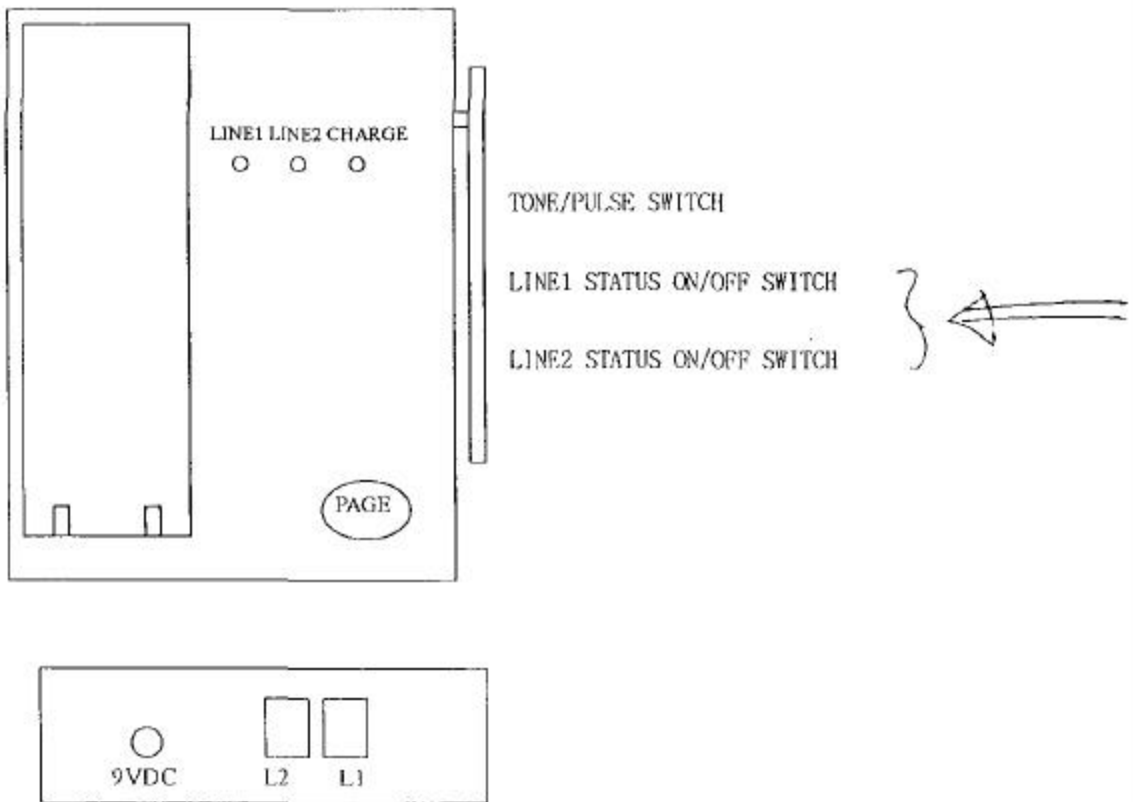
LOW BATTERY BEEP INTERVAL : 1 MIN

## LOCATING KEYS, LIGHTS, AND SWITCH

### On THE BASE

1. PAGE Key is homing-system for finding the handset.  
If you press the PAGE key once, the handset sends a ringing cycle for 30 seconds.
2. LINE1 LIGHT comes on whenever LINE 1 is used.
3. LINE2 LIGHT comes on whenever LINE 2 is used.
4. CHARGE LIGHT
5. PULSE/TONE SWITCH allows you to select the appropriate dialing service.  
TONE for tone-dialing or PULSE for rotary service.

K BELL



6. LINE STATUS ON/OFF SWITCHs allow you to select line status function enable or disable.

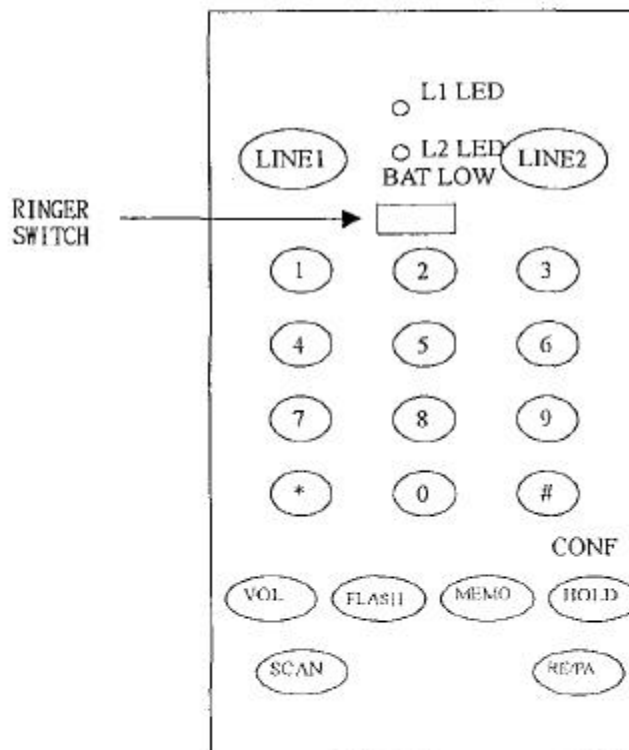
## On THE HANDSET

### Keys

- 1.LINE1 key - Turns the LINE1 on or off so you can dial or talk.
- 2.LINE2 key - Turns the LINE2 on or off so you can dial or talk.
- 3.SCAN Key - Allow you to change channels for clearer reception.
- 4.Dialing keys - Control manual dialing.
- 5.RE/PA key - Redials your last outbound call or inserts a pause.
- 6.MEMO key - Allow you to store frequently dialed numbers and to dial directly from the speed dialing list.
- 7.FLASH key - Allow you to switch between a call
- 8.HOLD/CONF key - Allows you to hold the line when talk mode.  
And also allows you to conference talk
- 9.Volume key - Allows you to adjust the handset volume to either normal or high.

### Switches

- 1.Ringer Switch - Turn the ringer on or off.
- 2.HEADSET Jack - Allows you to add a headset to the handset( not included)



**K BELL**

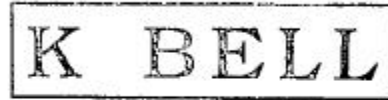
## SETTING UP YOUR PHONE

STEP 1. Choose a Central Location for the Base Unit

STEP 2. Plug in line cables.

STEP 3. Plug in the Adapter.

STEP 4. Put the Battery into the Handset



STEP 5. Charge the handset

Before you use the phone for the first time, You need to charge the battery at least 14 hours.

Place the handset in the base of the phone. The Charge light on the base then Comes on. You need to charge your handset whenever 2 beeps on handset.

## USING YOUR PHONE

You can make calls many different ways with this system.

### DIALING

1. Press LINE key (LINE1 or LINE2) on the handset  
Selected LINE indicate led will be light. (☞ see APPENDIX )
2. Use the number pad to dial the phone number.
3. Listen for a connection.
4. Press LINE key to end your call.

### ANSWERING ON RING

When any line is ringing, and if the handset is on BASE, just lift the handset.  
So you can talk to ringing line.

### MEMORY DIALING

1. Press LINE key (LINE1 or LINE2) on the handset
2. Press MEMO
3. Press LOCATION number(1- 0).

### REDIALING



1. Press LINE key (LINE1 or LINE2) on the handset
2. Press RE/PA immediately.

### HOLD the line (see APPENDIX)

On using one line, If another line is ringing, you can hold the using line.  
And Press calling line button, and then talk.

example) LINE1 INUSE --> RINGING on LINE 2 --> Press HOLD/CONF(LINE1 HOLD)  
--> Press LINE2 (FOR TALKING to LINE2)

If finished on LINE2, Press LINE1.

(LINE2 is disconnected, and you can talk to LINE1)

### CONFERENCE

You can make a conference talk through two line.

Press LINE1 --> DIAL and LINK --> Press HOLD/CONF --> Press LINE2  
--> DIAL and LINK --> Press HOLD/CONF

If you want to finish, put the handset on the base unit.

Or return to LINE 1(LINE 2) talk mode by pressing LINE1(LINE2) key, and then quit by pressing LINE1(LINE2) key again. (see APPENDIX)

### USING FLASH

To access your custom calling service, like Calling Waiting, while you are on the phone, press FLASH.

#### USING PAUSE

If you want to add a 4-second pause, press RE/PA between dials.

#### FINDING CLEARER RECEPTION

Your system automatically selects 1 of 40 channels at the beginning of the call for the best reception. If you are experiencing interference, you can either move closer to the base, or Press SCAN on the handset until you find better reception.

#### REACHING MAXIMUM RANGE

The handset and base communicate up to a certain maximum range. The distance can be affected by weather, power lines, or even other cordless telephone.

The system beeps whenever you are on the phone and the handset moves out of range from the base. If you do not move back within range in 28 seconds, you lose your connection.

#### LINE STATUS CHECK

If another branched telephone is using, the branched LINE LED will be flashed. (a short time light every 1 second)

This function will be operated when Each line status switch is on position.



#### MEMORY REGISTRATION

You can store up to 10 speed dial numbers in memory.

Conform THE BASE UNIT BE TURNED ON.

MEMO -> TEL. NUMBER (16 DIGITS) -> MEMO -> LOCATION (1-0)

#### LINE STATUS FUNCTION REGISTRATION using HANDSET

You can also select the function for line status by using handset as below.

But if the line status switch on the base unit is off position, the function will not operate.

1. The Unit is on standby mode.
2. Hits the FLASH key on standby mode.
3. Hits \* and 1 key to make the line1 status enable .  
Hits \* and 2 key to make the line2 status enable .  
Hits \* and 3 key to make both of the line1 and line2 status enable.  
Hits # and 1 key to make the line2 status disable .  
Hits # and 2 key to make the line2 status disable .  
Hits # and 3 key to make both of the line1 and line2 status disable.

U 2076

REGISTRATION STATUS 08-15-02



APPENDIX: TWO-LINE OPERATION TABLE

1. KEY OPERATION

A. LINE1 KEY OPERATION

Line2 Status \ Line1 status	ON HOOK (LINE OFF)	Hold	TALK MODE
ON HOOK (LINE OFF)	Line1 TALK MODE Line2 ON HOOK	Line1 TALK MODE Line2 hold	Line1 TALK MODE Line2 ON HOOK
Hold	Line1 TALK MODE Line2 ON HOOK	Line1 TALK MODE Line2 hold	Line1 TALK MODE Line2 ON HOOK
TALK MODE	Line1 ON HOOK Line2 ON HOOK	Line1 ON HOOK Ringing to line2	Line1 TALK MODE Line2 ON HOOK

For example, On condition of line 1 and line 2 is hold mode, if user hit the line1 key, the status of the unit is changed as line1 is talk mode and line2 is hold mode.

B. LINE2 KEY OPERATION

Line2 status \ Line1 status	ON HOOK	Hold	TALK MODE
ON HOOK	Line1 ON HOOK Line2 TALK MODE	Line2 TALK MODE Line1 ON HOOK	Line2 ON HOOK Line1 ON HOOK
Hold	Line2 TALK MODE Line1 hold	Line2 TALK MODE Line1 hold	Line2 TALK MODE Ringing to line1
TALK MODE	Line1 ON HOOK Line2 TALK MODE	Line1 ON HOOK Line2 TALK MODE	Line2 TALK MODE Line1 ON HOOK

**K BELL**

C. HOLD/CONF KEY OPERATION

Line2 status \ Line1 status	ON HOOK	Hold	TALK MODE
ON HOOK	Not change	Line2 TALK MODE Line1 ON HOOK	Line2 hold Line1 ON HOOK
Hold	Line1 TALK MODE Line2 ON HOOK	Line1 TALK MODE Line2 TALK MODE (Conference)	Line1 TALK MODE Line2 TALK MODE (Conference)
TALK MODE	Line1 hold Line2 ON HOOK	Line1 TALK MODE Line2 TALK MODE (Conference)	Line1 hold Line2 hold

## 2. LED OPERATION

	L1 led	L2 led
Ring on each line(handset)	0.25/0.25 blink(line1)	0.25/0.25 blink(line2)
Ring on each line(base)	Fast blink & 0.25/0.25	Fast blink & 0.25/0.25
Line1 TALK MODE	On	
Line2 TALK MODE		on
Line1 hold	0.5/0.5 blink	
Line2 hold		0.5/0.5 blink
Conference	On	on
Paging(base)	0.25/0.25 blink	
Calling(handset)	0.25/0.25 blink	0.25/0.25 blink
Memory registration	0.5/0.5 blink	0.5/0.5 blink
Line1 is occupied by other Branched phone	100ms on every 1sec when the line1 status switch is on .	
Line2 is occupied by other Branched phone		100ms on every 1sec when the line2 status switch is on .
Battery low(standby )		2-blink every 3sec
Battery low(line2 inuse)		2-blink every 3sec

**K BELL**

**Note :**

From the delay of Line Status on Base, The following operation is done within delaying Time between Base and Handset.

During the conversation, the line status is not operated on handset by branched phone.  
(Reason: During the conversation, The handset does not have the data conversation from base)