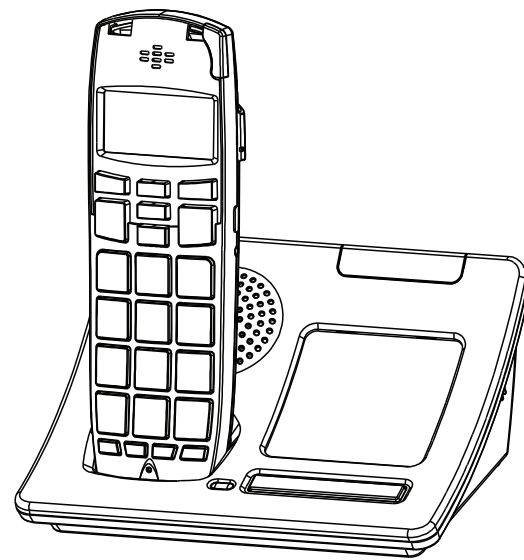


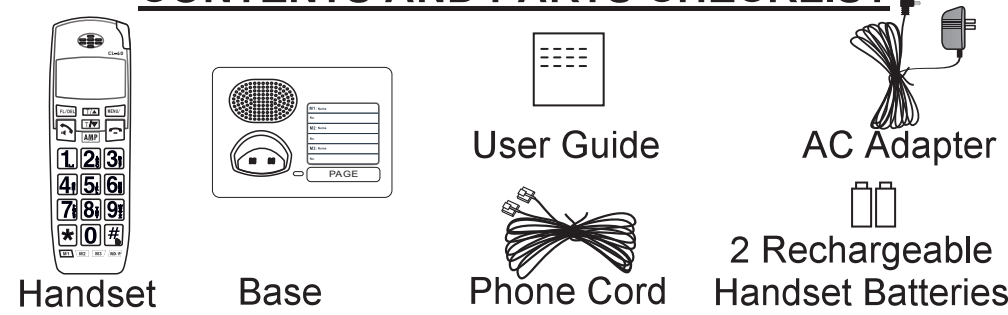
**Quick Guide**  
**Model CL-60**

Amplified DECT Telephone with Talking CID & Talk-Back Feature

Serene Innovations, Inc.  
14615 Carmenita Rd.  
Norwalk, CA 90650  
Tel: 562 407 5400



**CONTENTS AND PARTS CHECKLIST**



**INSTALLATION DIAGRAM**

1. Install rechargeable batteries in handset (included) and base (batteries not included) as shown.
2. Connect AC adapter and phone cord to the base as shown.
3. Charge the handset in the base for 24 hours (or over night) before initial use.

**Answering an incoming call**

1. Press button when phone rings. (Press to engage speakerphone if need).
2. Press button to end the call.

**Making a Call**

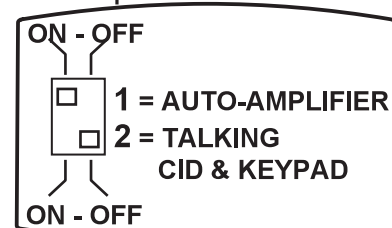
1. Enter phone number and confirm on display.
2. Press button to go on-line and dial. (Press to engage speakerphone if need).
3. Press button to end the call.

**AMP Function, Volume & Tone Controls**

1. During a call, Press button to toggle amplify function. **Caution:** When it is On (illuminated), an extra level of amplification is added to the receiver volume.
2. Press Volume buttons (on the side) to adjust the volume level (VL1 to VL5).
3. While is ON, press buttons to select a tone setting (T1 to T4) for best voice clarity.

**Automatic AMP & Talking Function Switches**

1. Open battery compartment cover to expose two small slide switches.
2. Set Switch 1 to ON if you want to be ON every time.
3. Set Switch 2 to ON for talking CID and talking keypad.



(Note: Both switch functions can be altered by changes made in "HS SETTINGS" sub-menu and vice-versa)

**Programming One-Touch Memories**

1. While off-line, enter phone number and confirm.
2. Press and hold (or M1, M2) for 5 seconds to save.

**Dial from a One-Touch Memory**

1. While off-line, press to confirm number.
2. Press to go on-line and dial.
3. Press to end the call.

**Outgoing Call List**

1. While off-line, press first to see the last call made.
2. Press or to review the last ten calls made.
3. To dial the number on display, just press . (To copy to Phone-Book, press and then scroll to sub-menu option. Press to confirm.)
4. Press to end the call or exit to off-line.

**Incoming Call List**

- (Must subscribe to phone company CID service)
1. While off-line, press first to view the latest CID info.
  2. Press or to scroll the incoming call list.
  3. To dial the number on display, just press . (To copy to Phone-Book, press and then scroll to sub-menu option. Press to confirm).
  4. Press to end a call or return to off-line.

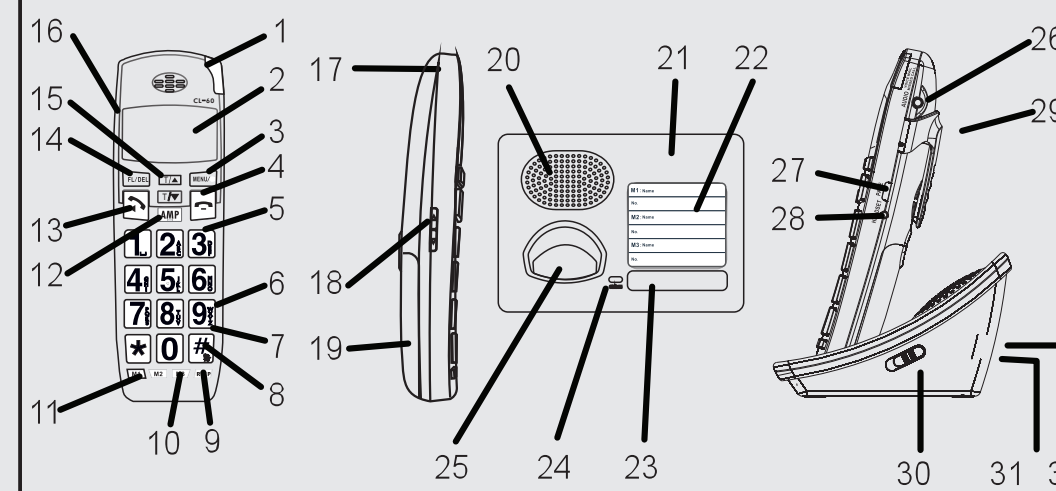
**Create Phone-Book Entries**

1. While off-line, press and then to scroll to "Phone Book".
2. Press to confirm.
3. Press to scroll to "NEW ENTRY".
4. Press to confirm. Screen displays "NAME ?".
5. Type in name and then press to save.
6. Screen displays "NUMBER ?".
7. Type in number and press to save.
8. Screen displays "MELODY 1" and sounds a melody.
9. Press to save. Screen displays "NEW ENTRY".
10. Press to end, or go to Step 4 for another entry.

**Trouble Shooting**

- Q1: Base Charging Indicator is not on when handset is placed on the base.  
Ans: Move the handset slightly to improve contact.
- Q2: No CID information on an incoming call.  
Ans: Check your subscription with your phone company.
- Q3: No Dial tone.  
Ans: Check AC adapter and phone cord connection. Make sure you're not too far from the base. If this is a new handset, you must register it to the base before using.
- Q4: No display on handset.  
Ans: Verify battery is OK; make sure the handset is not power-off.
- Q5: Handset does not ring.  
Ans: Verify battery is OK; verify handset is not powered off; verify "Do-Not-Disturb" is not active.
- Q6: Why is the red flasher always blinking?  
Ans: This indicates you have voice mail waiting in your provider's voice mail server. Or, you have missed a call; reviewing incoming call list clears this indicator.
- Q7: Static noise on the line.  
Ans: Your phone may be located near a touch lamp, microwave, or other appliance,

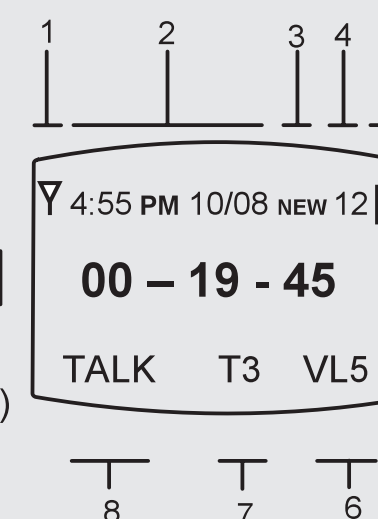
**FEATURE LIST AND OVERVIEW**



1. In-Use / Ring Flasher / Voice mail / Missed Call indicator
2. LCD display
3. button: Press to access menu or sub-menu option; during a call, press to mute / un-mute the microphone.
4. button: Press to end a call or return to idle mode.
5. Keypad
6. Auto-Amplifier Switch: Enables automatic function.
7. Talking CID/ Talking Keypad Switch: (6 & 7 are in battery compartment).
8. button: Hold it for 5 sec. enables "Do-Not-Disturb".
9. button: Redial / Pause key.
10. buttons: One-touch memory
11. button: One-touch M. that activates speakerphone.
12. (Amplify) button with indicator: Press to engage extra handset receiver amplification.
13. button: Press to make or answer a call. During a call, press to engage speakerphone.
14. (Flash / Delete) button: press to activate call waiting, or to delete a character entry.
15. and buttons: Press to change tone control, to scroll menu options.
16. Speaker
17. Hole for lanyard (not included).
18. VOLUME Up/Down (side)
19. Battery Compartment Cover
20. Base Ringer
21. Base Flasher / In-Use Indicator
22. One-Touch Memory Directory Label
23. Page Button: Press to page all registered handsets.
24. Charge Indicator
25. Cradle
26. Audio Jack: For receiver audio output.
27. Page button: Press to intercom or transfer a call.
28. Headset Jack: For cordless phone headset.
29. Belt Clip
30. Base Ringer Volume Control
31. AC Adapter Jack (rear): For connection to power
32. Phone JACK (rear): For connection to phone line

**Handset Display Screen Icons**

1. Antenna strength
2. Time & Date
3. New calls; turn off after all new calls are reviewed
4. # of new calls not yet review; (# of old calls if "NEW" is off)
5. Battery strength indicator (3 bar= max; no bar=min)
6. Volume level - VL1 to VL5
7. Tone setting - T1 to T4 (effective when AMPLIFY is on)
8. TALK (or SPEAKER)
9. Call timer (HH:MM:SS)



**Register A New Handset**

1. Press and hold button on base for 5 seconds so it goes into Registration mode (confirm by a double beep & flashing LED).
2. Press and hold on handset to register (5 sec).
3. Wait for a confirmation tone.

**No Ringing on Incoming Calls (Do-Not-Disturb)**

1. While off-line, press and hold for about 5 seconds to enable. Display will alternate between "NON DISTURB" and "HS #". Handset will not ring.
2. For handset to ring again, press and hold for 5 seconds to turn off "NON DISTURB".

**Power Down A handset**

1. While off-line, hold for 5 seconds to power down.
2. To power up, press and hold for 5 seconds.
3. Wait for a confirmation tone before using. This indicates handshaking has been established with base.

**Reset Handset to Factory Default**

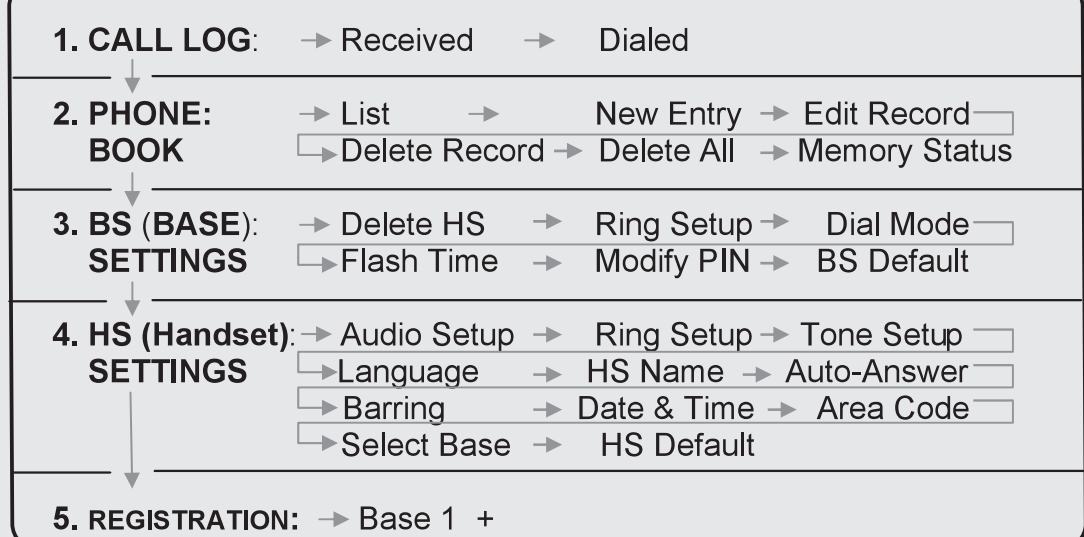
(Phone-book entries are not affected by reset)

1. While off-line, press to enter menu mode.
2. Press 2-times to see "HS SETTINGS". Press to select. Display shows "AUDIO SETUP". Press to find "HS DEFAULT".
3. Press to confirm and display asks for "PIN ?".
4. Enter default PIN "0000" and press to confirm.
5. Wait for a confirmation tone and then press to exit.

**Swapping Handset Batteries with Base Batteries:**

Handset and base batteries are inter-changeable. In the event that handset batteries are running low, it is acceptable to swap the handset batteries with two from the base. This eliminates the handset re-charge time.  
*Note: A fully charged handset battery can provide 8 hrs of talk time (80 hrs standby). Base batteries can provide ~4 hrs of backup. After a temporary power outage, it may take 1 to 2 minutes for the handset to self re-register with base.*

**Menu Flow Chart**



**Navigate The Main Menu & Sub-Menu:**

1. While off-line, press to enter main menu; Screen shows "CALL LOG".
2. Press or to scroll thru all menu options.
3. Press to select a menu option to change.
4. Press or to scroll sub-menu options; press to select a sub-menu option; press & to scroll if necessary.
5. Press to select an option or confirm a change.
6. If necessary, press to return to a previous menu level.
7. When finish, press to exit to off-line.