

Uniden | A World Without Wires®

UNIDEN
CORDLESS
PHONES



EXP4540 EXP4541

OWNER'S MANUAL



Introduction

Uniden 2.4GHz cordless phones are designed and engineered to exacting standards for reliability, long life, and outstanding performance.

NOTE: Illustrations in this manual are used for explanation purposes. Some illustrations in this manual may differ from the actual unit. The color of your cordless phone may vary.

Features

- 2.4 GHz Extended Range Technology
- AutoTalk™
- Pulse/Tone Dialing
- 20 Channel Autoscan
- Last Number Redial
- 10-Number Memory Dialing
- AutoStandby™
- Earpiece Volume Control
- Hearing Aid Compatible
- Find Handset Locator

The cordless phone features **AutoTalk™** and **AutoStandby™**. **AutoTalk™** allows you to answer a call by just removing the handset from the base so you don't have to waste time pushing buttons. **AutoStandby™** allows you to hang up by simply returning the handset to the base.

The **UltraClear Plus™** true compander circuitry virtually eliminates background noise. This innovative technology, together with 20 different channels, provides you with the best possible reception during all your conversations.

To protect you against misbilled calls which could result from your phone being activated by other equipment, the cordless phone has **Random Code™** digital security which automatically selects one of approx. 262,000 digital security codes for the handset and base. Also, the **AutoSecure™** feature electronically locks your phone when the handset is charging in the base.

If you have any trouble with your phone, call our Customer Hotline at 1- 800-297-1023, Mon-Fri 7 am to 7 pm, Sat/Sun 9 am to 5 pm, CST. (Phone support is closed on holidays.)

For more information on Uniden products and accessories, be sure to visit our web site: www.uniden.com

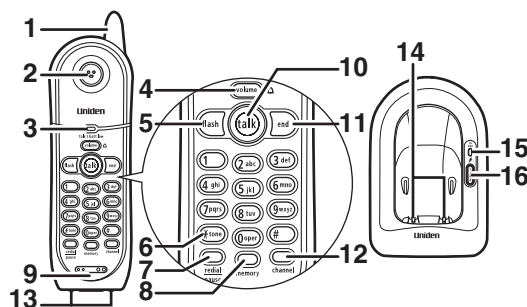


Uniden® is a registered trademark of Uniden America Corporation.

AutoTalk, **AutoStandby**, **UltraClear Plus**, **Random Code** and **AutoSecure** are trademarks of Uniden America Corporation.



Controls and Functions



1. Handset antenna
2. Handset earpiece
3. **talk/batt low** LED - indicates when phone is in use or the battery is low
4. **[volume/Δ]** - sets the ringer tone and earpiece volume
5. **[flash]** - accesses call waiting (if available)
6. **[%/tone]** - temporarily switches to tone dialing when in pulse dial mode
7. **[redial/pause]** - redials the last number / adds a 2-second pause in a memory dialing sequence.
8. **[memory]** - enters or recalls numbers in stored in memory
9. Handset microphone and ringer speaker
10. **[talk]** - answers or places calls
11. **[end]** - hangs up a phone call / mutes the ringing tone temporarily
12. **[channel]** - selects another channel for clearer reception
13. Handset charging contacts
14. Base charging contacts
15. **in use** LED
16. **[find]** - locates the handset



Included with Your Phone

- Base Unit • Handset • AC Adapter • Rechargeable Battery • Telephone Cord
- This owner's manual

Replacement adapters, batteries and other parts may be purchased by calling the Customer Hotline at 1-800-297-1023, Mon-Fri 7 am to 7 pm, Sat/Sun 9 am to 5 pm, CST. (Phone support is closed on holidays.)

Terminology

Throughout this manual, terms such as Standby and Talk are used. Below is the terminology explanation.

- **Talk** - The handset is off the base and **[talk]** has been pressed, enabling a dial tone.
- **Standby** - The handset may be sitting on the base charging or out of the base cradle, but is NOT in use. **[talk]** has not been pressed and there is no dial tone.

Accessibility

Uniden provides a customer service hotline for accessibility questions. If you have a disability and need customer service assistance or if you have any questions about how Uniden's products accommodate persons with disabilities, please call the accessibility voice/TTY line:

1-800-874-9314

A representative is available to talk to you M-F, 8:00 am to 5:00 pm, CST. After hours, you can leave a message, and we will call you back. Information is also available on our web site, www.uniden.com, under the "Accessibility" link.

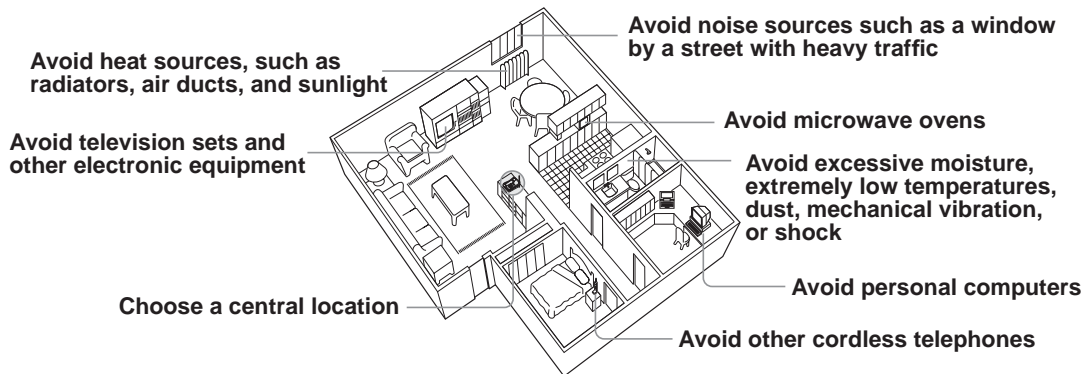
Installing the Phone

Do the following steps:

- Choose the best location
- Install the rechargeable battery pack into the handset
- Connect the base unit and charge the handset
- Mount the base unit on a wall
- Choose the dialing mode

A. Choose the best location

When choosing a location for your new phone, here are some important guidelines you should consider:



- The location should be close to both a phone jack and a continuous power outlet (one which is not connected to a switch).
- The base and handset should be kept away from sources of electrical noise such as motors and fluorescent lighting.
- The base can be placed on a desk, tabletop, or mounted on a standard wall plate. For better reception, place the base as high as possible.
- The base should be placed in an open area for optimum range and reception.

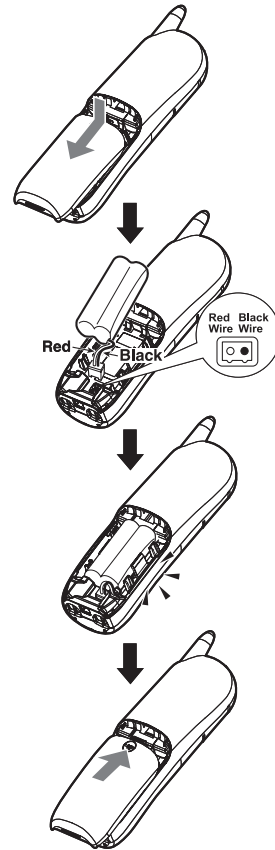
B. Install the rechargeable battery pack into the handset

The handset is powered by a rechargeable battery pack. The battery recharges automatically when the handset is placed in the base unit.

NOTE: If your home has specially wired alarm equipment connected to the telephone line, be sure that installing the system does not disable your alarm equipment. If you have questions about what will disable your alarm equipment, contact your telephone company or a qualified installer.

- 1) Press down on the handset battery case cover (use the finger indentation for a better grip) and slide the cover downward to remove.
- 2) Plug the battery pack connector (red & black wires) into the jack inside the battery compartment (the connector notches fit into the grooves of the jack only one way). Match the wire colors to the polarity label in the battery compartment, connect the battery and listen for a click to insure connection.
- 3) Fit the battery pack into the battery compartment.
- 4) Before replacing the battery cover, pull on the battery wires slightly. If the connection is secure, the jack will stay in place. Then place the battery case cover back on the handset by sliding it upwards until it clicks into place.

NOTE: For optimum performance, use only the Uniden Battery (BT- 1007) supplied with your phone.



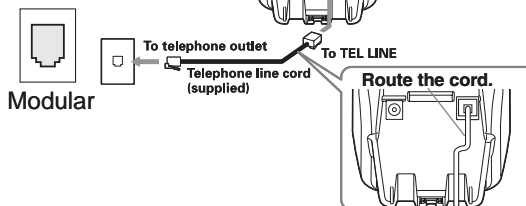
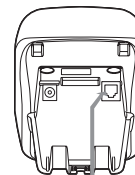
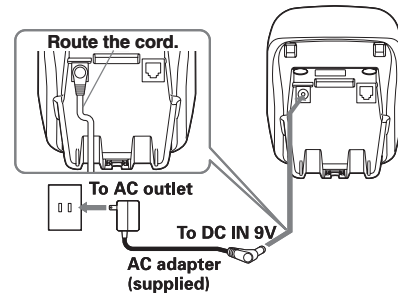
C. Connect the base unit and charge the handset

- 1) Connect the AC adapter to the DC IN 9V jack and a standard 120V AC wall outlet.
- 2) Set the base unit on a desk or tabletop, and place the handset in the base unit with the keypad facing forward.
- 3) Make sure the **in use** LED illuminates. If the LED does not illuminate, check to see that the AC adapter is plugged in and the handset makes good contact with the base charging contacts.

NOTICE: Do not place the power cord where it creates a trip hazard or where it could become chafed and create a fire or electrical hazard.

NOTE:

- Use only the supplied AD-0001 AC adapter. Do not use any other AC adapter.
 - Connect the AC adapter to a continuous power supply.
 - Place the base unit close to the AC outlet to avoid long extension cords.
- 4) Charge your handset at least 15-20 hours before plugging the phone line.
 - 5) Once the handset battery pack is fully charged, connect the telephone line cord to the **TEL LINE** jack and a telephone outlet. If your telephone outlet isn't modular, contact your telephone company for assistance.



Talk and Standby Times

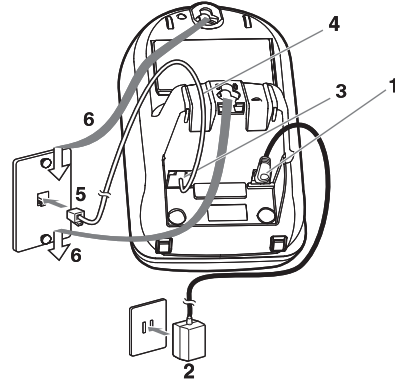
With average use, your handset battery provides approximately 6 hours of talk time and approximately 7 days of standby time. When your handset is not being used and is left off of their charging cradle, the battery will gradually discharge. You can achieve optimum battery life and performance by returning the handset to the charging cradle after each use. If the handset is left off of the charging cradle, the actual talk time duration will be reduced respective to the amount of time the handset is off of the charging cradle.

D. Mount the base unit on a wall

Standard wall plate mounting

This phone can be mounted on any standard wall plate.

- 1) Plug the AC adapter to the **DC IN 9V** jack.
- 2) Plug the AC adapter into a standard 120V AC wall outlet.
- 3) Plug the telephone line cord into the **TEL LINE** jack.
- 4) Route the telephone line cord through the groove as shown.
- 5) Plug the telephone line cord into the telephone outlet.
- 6) Align the mounting slots on the base with the mounting posts on the wall. Then push in and down until the phone is firmly seated.

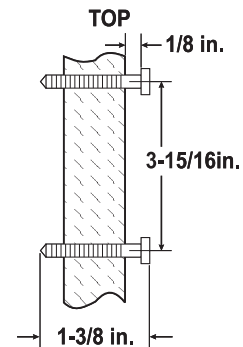


Direct wall mounting

If you don't have a standard wall plate, you can mount your phone directly to the wall.

Before doing this, consider the following:

- Avoid electrical cables, pipes, or other items behind the mounting location that could cause a hazard when inserting screws into the wall.
 - Try to mount your phone within 5 feet of a working phone jack to avoid excessive cord lengths.
 - Make sure the wall material is capable of supporting the weight of the base and handset.
 - Use #10 screws (minimum length of 1-3/8 inches) with anchoring devices suitable for the wall material where the base unit will be placed.
- 1) Insert two mounting screws into the wall, (with their appropriate anchoring device), 3-15/16 inches apart. Allow about 1/8 of an inch between the wall and screw heads for mounting the phone.
 - 2) Refer to steps 1 through 5 above to mount the telephone.



E. Choose the dialing mode

Most phone systems use tone dialing. However, some phone systems (such as in rural areas) still use pulse dialing. Your Uniden phone supports both tone and pulse dialing. The default setting is tone dialing. If your phone system uses pulse dialing, follow the steps below to change the dialing mode:

- 1) In standby, press and hold **[flash]** until you hear a confirmation tone.
 - 2) Press **[#]** to set your phone for pulse dialing. You will hear a confirmation tone.
- If you need to reset your phone to tone dialing, press and hold **[flash]** until you hear the confirmation tone. Then press **[#/tone]** to restore the tone setting.

NOTE:

- **Make sure your battery pack is fully charged before choosing the dial mode.**
- **If you are not sure of your dialing system, make a trial call. If the call connects, leave the setting at tone dialing. Otherwise, set for pulse dialing.**

Using Your Phone

Making and Receiving Calls

Making a call

- 1) Pick up the handset from the base.
- 2) Press **[talk]**. The **talk/batt low** LED flashes and turns on.
- 3) Listen for the dial tone.
- 4) Dial the number.

Receiving a call

If the handset is in the base, simply remove the handset from the base. AutoTalk will automatically answer the call.

If the handset is off the base, press **[talk]**, any number key, **[*/tone]**, or **[#]**.

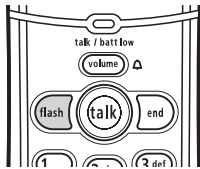
Hanging up

Press **[end]** or return the handset to the base.

Redialing the last dialed number

- 1) Pick up the handset from the base.
- 2) Press **[talk]**. The **talk/batt low** LED flashes and turns on.
- 3) Listen for the dial tone.
- 4) Press **[redial/pause]**.

Flash and Call Waiting



If you subscribe to Call Waiting service through your telephone company and a call waiting tone sounds while you are on a call, press **[flash]** to accept the waiting call. There is a short pause, and you will hear the new caller. To return to the original caller, press **[flash]** again.

Adjusting the Ringer Tone

When the phone is in standby, press **[volume/Δ]** to switch between the two ringer tones. The last ringer tone heard will be selected as the phone's ring tone setting.

Temporarily Mute Ringer

If the handset is off the base, simply press **[end]** to temporarily mute the incoming ring for that particular call. The ringer will sound with the next incoming call.

Adjusting the Earpiece volume

The handset earpiece volume settings can only be adjusted during a call. To adjust, press **[volume/Δ]** to scroll through the three volume levels and select the one that works best for you. When you hang up, the phone keeps the volume setting.

Traveling Out-of-Range

During a call, as you begin to move your handset too far from your base unit, noise increases.

If you pass the range limits of the base, your call will terminate within one minute.

Selecting a Different Channel

If you encounter interference while using your phone, you can manually change the phone's channel for clear operation. During a call, press **[channel]** to change the channel. The **talk/batt low** LED flashes, indicating the phone is changing to another channel. For more information on interference, refer to "Radio Interference" on page 10.

Find Handset

To locate the handset, press **[find]** on the base. The handset will beep for 60 seconds. The beeping will stop when any handset key is pressed, when it is returned to the base, or when **[find]** is pressed. The handset will also stop beeping automatically when an incoming call is received.

Low Battery Alert

When the battery pack is very low and needs to be charged, the phone is programmed to eliminate functions in order to save power. If the phone is not in use, the **talk/batt low** LED flashes when the battery pack is low.

If the phone is in use, the **talk/batt low** LED flashes and the handset beeps. Complete your conversation as quickly as possible and return the handset to the base for charging.

NOTE:

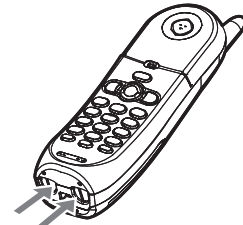
- Even when the battery pack is not being used, it will gradually discharge over a long period of time. For optimum performance, be sure to return the handset to the base unit after each telephone call.
- Dial mode setting, last number dialed and numbers stored in memory locations are retained for up to one minute while you replace the battery pack.

Cleaning the battery charging contacts

To maintain a good charge, clean the charging contacts on the handset once a month.

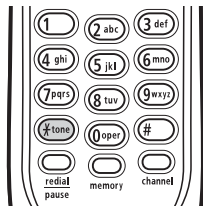
To clean, dampen a cloth with plain water and gently rub the cloth over the charging contacts until all visible dirt is removed. Dry the contacts thoroughly before returning the handset to the base.

Caution: Do not use paint thinner, benzene, alcohol, or other chemical products. Doing so may discolor the surface of the telephone and damage the finish.



Contacts

Tone Dialing Switch-over



If your telephone company requires pulse dialing, you can temporarily switch over to tone dialing after the call connects. This feature is useful when you need tone dialing to use any automated menu systems, such as telephone bank tellers, telephone prescription refills, customer support menus, etc.

If your phone is set to pulse dialing mode, make your call normally. Once your call connects, press **[*/tone]**. Any digits you enter from then on will be sent as tone dialing. When this particular call ends, the phone automatically returns to pulse dialing mode.

Using the Speed Dial Memory

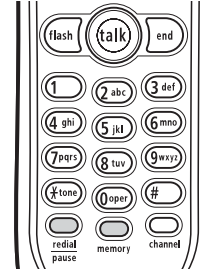
Storing Numbers in Speed Dial Memory

Your cordless phone can store up to ten numbers (up to 20 digits each) in the speed dial memory. To store number in memory:

- 1) When the phone is in standby, press **[memory]**. The **talk/batt low** LED flashes.
- 2) Use the keypad to enter the phone number.
(To enter a 2-second pause between numbers, press **[redial/pause]**. Each pause counts as a digit.)
- 3) Press **[memory]** again.
- 4) Select the speed dial location where you would like to store the number (**[0]** to **[9]**). You will hear a confirmation tone indicating that the number has been stored.

NOTE:

- **Storing a number to a speed dial location will overwrite the any previously stored number without warning.**
- **When storing numbers into memory and the handset is idle (i.e., no key is pressed) for more than 30 seconds, it will beep rapidly, and then the phone will return to standby.**



Dialing a Stored Number

- 1) When the phone is in standby, press **[talk]**, and listen for a dial tone.
- 2) Press **[memory]** and enter the speed dial entry (**[0]** – **[9]**) that has the stored number you want to dial. (If you enter a digit that does not contain a stored number, the handset will beep rapidly, and the phone will not dial.)

Chain Dialing

The speed dial memory is not limited to phone numbers. You can store any number (up to 20 digits) that you need to enter once your call connects. This is referred to as Chain Dialing. An example is a frequently refilled prescription number. Store your pharmacy phone number in one speed dial and your most frequently refilled prescription number as another speed dial. To use, once you ring your pharmacy's automated prescription line, simply press **[memory]** and the speed dial number where you stored your account number.

Erasing a Stored Number from Memory

- 1) With the phone in standby, press **[memory]** twice.
- 2) Press the number of the speed dial entry. A tone indicates that the stored number is erased from memory.

Changing the Digital Security Code

The digital security code is an identification code used to connect the handset and the base unit. Normally, setting the code is not necessary.

The first time you charge your handset, the security code is automatically set. In the rare situation that you suspect another cordless telephone is using the same security code, you can change the code.

- 1) Pick up the handset from the base unit. Press and hold **[find]** on the base.
- 2) While holding **[find]**, place the handset in the base unit. Leave the handset in the base for more than three seconds. A new random security code is set.

NOTE: If the handset battery pack is completely discharged or the battery pack is removed, the digital security code will be lost. If this happens, a new security code is set automatically next time the battery pack is charged.

Operational Frequency

Frequency 924.516925 – 926.704425 MHz
2,405.155942 – 2,411.718441 MHz

Troubleshooting

If your cordless telephone is not performing to your expectations, please try these simple steps first. If these steps do not solve your problem, please call our Customer Hotline at 1-800-297-1023. (Mon - Fri 7 am to 7 pm, Sat/Sun 9 am to 5 pm, CST. Phone support is closed on holidays.)

NOTE: Do not attempt to service this unit yourself. Servicing must be performed by qualified personnel.

Symptom	Suggestion
The in use LED won't illuminate when the handset is placed in the base.	<ul style="list-style-type: none"> • Make sure the AC adapter is plugged into the base and a wall outlet. • Make sure the handset is properly seated in the base. • Make sure that the charging contacts on the handset are clean.
The audio sounds weak and/or scratchy.	<ul style="list-style-type: none"> • Move the handset and/or base away from metal objects or appliances and try again. • Press [channel] to help eliminate background noise. • Check both ends of the telephone line cord.
Can't make or receive calls.	<ul style="list-style-type: none"> • Make sure the AC adapter is plugged into the base and a wall outlet. • Disconnect the AC adapter for a few minutes. Then reconnect it. • Change the digital security code. (see page 7.) • Make sure that the handset is not too far from the base. • Check the dialing mode used by your telephone company.
The handset doesn't ring or receive a page.	<ul style="list-style-type: none"> • The battery pack may be weak. Charge the battery for 15-20 hours. • The handset may be too far away from the base. • Move the base away from appliances or metal objects. • Change the digital security code. (see page 7.)
Severe noise interference	<ul style="list-style-type: none"> • Keep the handset away from microwave ovens, computers, remote control toys, wireless microphones, alarm systems, intercoms, room monitors, fluorescent lights, and electrical appliances. • Move the base to another location or turn off the source of interference.

Liquid Damage

Moisture and liquid can damage your cordless phone. In case of accidental submersion, please follow these steps.

Case	Action
If the handset or base is exposed to moisture or liquid, but it only affects the exterior plastic housing.	Wipe off the liquid, and use as normal.
If moisture or liquid has entered the plastic housing (i.e. liquid can be heard in the phone or liquid has entered the handset battery compartment or vent openings on the base).	<p>Handset:</p> <ol style="list-style-type: none"> 1. Remove the battery cover and leave it off for ventilation. 2. Remove the battery pack by disconnecting. 3. Leave the battery cover off and the battery pack disconnected for at least 3 days. 4. Once the handset is completely dry, reconnect the battery pack and the battery cover. 5. Recharge the handset's battery pack for 20 hours before using again. <p>Base:</p> <ol style="list-style-type: none"> 1. Disconnect the AC adapter from the base unit, cutting off electrical power. 2. Disconnect the telephone cord from the base unit. 3. Let dry for at least 3 days. <p>IMPORTANT: You must unplug the telephone line while recharging the battery pack to avoid charge interruption.</p> <p>CAUTION: DO NOT use a microwave oven to speed up the drying process. This will cause permanent damage to the handset, base and the microwave oven. After following these steps, if your cordless telephone does not work, please call our Customer Service Hotline at 1-800-297-1023.</p>

Precautions!

Before you read anything else, please observe the following:

Warning!

Uniden America Corporation DOES NOT represent this unit to be waterproof. To reduce the risk of fire, electrical shock, or damage to the unit, DO NOT expose this unit to rain or moisture.

Rechargeable Nickel-Cadmium Battery Warning

- This equipment contains a rechargeable nickel-cadmium battery.
- Cadmium is a chemical known to the State of California to cause cancer.
- The rechargeable nickel-cadmium battery contained in this equipment may explode if disposed of in a fire.
- **Do not** short-circuit the battery.
- Do not charge the rechargeable nickel-cadmium battery used in this equipment in any charger other than the one designed to charge this battery as specified in the owner's manual. Using another charger may damage the battery or cause the battery to explode.

Rechargeable Nickel-Cadmium Batteries Must Be Recycled or Disposed of Properly



- Uniden voluntarily participates in an RBRC® industry program to collect and recycle nickel-cadmium batteries at the end of their useful life, when taken out of service within the United States. The RBRC® program provides a convenient alternative to placing used nickel-cadmium batteries into the trash or municipal waste stream, which is illegal in some areas.
- Through the RBRC® program, Uniden makes it easy for you to drop off the used battery at local retailers of replacement nickel-cadmium batteries. You may also contact your local recycling center for information on where to return the used battery. Please call 1-800-8-BATTERY for information on Ni-Cd battery recycling in your area. Uniden's involvement in this program is part of its commitment to protecting our environment and conserving natural resources.
- RBRC® is a registered trademark of the Rechargeable Battery Recycling Corporation.



The exclamation point within an equilateral triangle is intended to alert the user to the presence of important operating and maintenance (servicing) instructions in the literature accompanying the appliance.

Uniden works to reduce lead content in our PVC coated cords in our product and accessories.

Warning!

The cords on this products and/or accessories contain lead, a chemical known to the State of California to cause birth defects or other reproductive harm. **Wash hands after handling.**

Important Safety Instructions

When using your telephone equipment, basic safety precautions should always be followed to reduce the risk of fire, electric shock and injury to persons, including the following:

1. Do not use this product near water, for example, near a bath tub, wash bowl, kitchen sink or laundry tub, in a wet basement or near a swimming pool.
2. Avoid using a telephone (other than a cordless type) during an electrical storm. There may be a remote risk of electric shock from lightning.
3. Do not use the telephone to report a gas leak in the vicinity of the leak.
4. Use only the power cord and batteries indicated in this manual. Do not dispose of batteries in a fire. They may explode. Check with local codes for possible battery disposal instructions.
5. Do not disassemble any component of this product.

SAVE THESE INSTRUCTIONS

CAUTION

Risk of explosion if battery is replaced by an incorrect type. Dispose of used batteries according to the instructions. Do not open or mutilate the battery, and disconnect the battery before shipping this product.

The FCC Wants You To Know

This equipment complies with Part 68 of the FCC rules and the requirements adopted by the ACTA. On the bottom of this equipment is a label that contains, among other information, a product identifier in the format US:AAEQ##TXXXX. If requested, this number must be provided to the telephone company. An applicable Universal Service Order Codes (USOC) certification for the jacks used in this equipment is provided (i.e., RJ11C) in the packaging with each piece of approved terminal equipment.

A plug and jack used to connect this equipment to the premises wiring and telephone network must comply with the applicable FCC Part 68 rules and requirements adopted by the ACTA. A compliant telephone cord and modular plug is provided with this product. It is designed to be connected to a compatible modular jack that is also compliant. See installation instructions for details.

The REN is used to determine the number of devices that may be connected to a telephone line. Excessive RENs on a telephone line may result in the devices not ringing in response to an incoming call. In most but not all areas, the sum of RENs should not exceed five (5.0). To be certain of the number of devices that may be connected to a line, as determined by the total RENs, contact the local telephone company. For products approved after July 23, 2001, the REN for this product is part of the product identifier that has the format US:AAEQ##TXXXX. The digits represented by ## are the REN without a decimal point (e.g., 03 is a REN of 0.3). For earlier products, the REN is separately shown on the label.

If this equipment causes harm to the telephone network, the telephone company will notify you in advance that temporary discontinuance of service may be required. But if advance notice isn't practical, the telephone company will notify the customer as soon as possible. Also, you will be advised of your right to file a complaint with the FCC if you believe it is necessary.

The telephone company may make changes in its facilities, equipment, operations or procedures that could affect the operation of the equipment. If this happens the telephone company will provide advance notice in order for you to make necessary modifications to maintain uninterrupted service.

Please follow instructions for repairing, if any (e.g. battery replacement section); otherwise do not substitute or repair any parts of the device except as specified in this manual. Connection to party line service is subject to state tariffs. Contact the state public utility commission, public service commission or corporation commission for information. This equipment is hearing aid compatible.

Should you experience trouble with this equipment, please contact Uniden customer service at 800-297-1023. If the equipment is causing harm to the telephone network, the telephone company may request that you disconnect the equipment until the problem is resolved.

NOTICE: According to telephone company reports, AC electrical surges, typically resulting from lightning strikes, are very destructive to telephone equipment connected to AC power sources. To minimize damage from these types of surges, a surge arrestor is recommended.

Changes or modifications to this product not expressly approved by Uniden, or operation of this product in any way other than as detailed by the owner's manual, could void your authority to operate this product.

This device complies with part 15 of the FCC rules. Operation is subject to the following two conditions: (1) This device may not cause harmful interference, and (2) This device must accept any interference received, including interference that may cause undesired operation. Privacy of communications, may not be ensured when using this phone.

To ensure the safety of users, the FCC has established criteria for the amount of radio frequency energy various products may produce depending on their intended usage. This product has been tested and found to comply with the FCC's exposure criteria. For body worn operation, the FCC RF exposure guidelines were also met when used with the Uniden accessories supplied or designed for this product. Use of other accessories may not ensure compliance with FCC RF exposure guidelines and should be avoided.



Radio Interference

Radio interference may occasionally cause buzzing and humming in your cordless handset, or clicking noises in the base. This interference is caused by external sources such as TV, refrigerator, vacuum cleaner, fluorescent lighting, or electrical storm. Your unit is NOT DEFECTIVE. If these noises continue and are too distracting, please check around your home to see what appliances may be causing the problem. In addition, we recommend that the base not be plugged into a circuit that also powers a major appliance because of the potential for interference. Be certain that the antenna on the unit is fully extended when needed. In the unlikely event that you consistently hear other voices or distracting transmissions on your phone, you may be receiving radio signals from another cordless telephone or other source of interference. If you cannot eliminate this type of interference, you need to change to a different channel.

Finally, it should be noted that some cordless telephones operate at frequencies that may cause interference to nearby TVs and VCRs. To minimize or prevent such interference, the base of the cordless telephone should not be placed near or on top of a TV or VCR. If interference is experienced, moving the cordless telephone farther away from the TV or VCR will often reduce or eliminate the interference.

Cordless Telephone Privacy

Cordless telephones are radio devices. Communications between the handset and base of your cordless telephone are accomplished by means of radio waves which are broadcast over the open airways. Because of the inherent physical properties of radio waves, your communications can be received by radio receiving devices other than your own cordless telephone unit. Consequently, any communications using your cordless telephone may not be private.

I.C. Notice

TERMINAL EQUIPMENT

Notice: This equipment meets the applicable Industry Canada Terminal Equipment Technical Specifications.

This is confirmed by the registration number. The abbreviation, IC, before the registration number signifies that registration was performed based on a Declaration of Conformity indicating that Industry Canada technical specifications were met. It does not imply that Industry Canada approved the equipment.

Notice: The Ringer Equivalence Number (REN) for this terminal equipment is marked on the equipment itself. The REN assigned to each terminal equipment provides an indication of the maximum number of terminals allowed to be connected to a telephone interface. The termination on an interface may consist of any combination of devices subject only to the requirement that the sum of the Ringer Equivalence Numbers of all the devices does not exceed five.

RADIO EQUIPMENT

The term "IC:" before the radio certification number only signifies that Industry Canada technical specifications were met. Operation is subject to the following two conditions: (1) this device may not cause interference, and (2) this device must accept any interference, including interference that may cause undesired operation of the device. "Privacy of communications may not be ensured when using this telephone".

One Year Limited Warranty

Important: Evidence of original purchase is required for warranty service.

WARRANTOR: UNIDEN AMERICA CORPORATION ("Uniden")

ELEMENTS OF WARRANTY: Uniden warrants, for one year, to the original retail owner, this Uniden Product to be free from defects in materials and craftsmanship with only the limitations or exclusions set out below.

WARRANTY DURATION: This warranty to the original user shall terminate and be of no further effect 12 months after the date of original retail sale. The warranty is invalid if the Product is (A) damaged or not maintained as reasonable or necessary, (B) modified, altered, or used as part of any conversion kits, subassemblies, or any configurations not sold by Uniden, (C) improperly installed, (D) serviced or repaired by someone other than an authorized Uniden service center for a defect or malfunction covered by this warranty, (E) used in any conjunction with equipment or parts or as part of any system not manufactured by Uniden, or (F) installed or programmed by anyone other than as detailed by the owner's manual for this product.

STATEMENT OF REMEDY: In the event that the product does not conform to this warranty at any time while this warranty is in effect, warrantor will either, at its option, repair or replace the defective unit and return it to you without charge for parts, service, or any other cost (except shipping and handling) incurred by warrantor or its representatives in connection with the performance of this warranty. Warrantor, at its option, may replace the unit with a new or refurbished unit. THE LIMITED WARRANTY SET FORTH ABOVE IS THE SOLE AND ENTIRE WARRANTY PERTAINING TO THE PRODUCT AND IS IN LIEU OF AND EXCLUDES ALL OTHER WARRANTIES OF ANY NATURE WHATSOEVER, WHETHER EXPRESS, IMPLIED OR ARISING BY OPERATION OF LAW, INCLUDING, BUT NOT LIMITED TO ANY IMPLIED WARRANTIES OF MERCHANTABILITY OR FITNESS FOR A PARTICULAR PURPOSE. THIS WARRANTY DOES NOT COVER OR PROVIDE FOR THE REIMBURSEMENT OR PAYMENT OF INCIDENTAL OR CONSEQUENTIAL DAMAGES. Some states do not allow this exclusion or limitation of incidental or consequential damages so the above limitation or exclusion may not apply to you.

LEGAL REMEDIES: This warranty gives you specific legal rights, and you may also have other rights which vary from state to state. This warranty is void outside the United States of America and Canada.

PROCEDURE FOR OBTAINING PERFORMANCE OF WARRANTY: If, after following the instructions in the owner's manual you are certain that the Product is defective, pack the Product carefully (preferably in its original packaging). Disconnect the battery from the Product and separately secure the battery in its own separate packaging within the shipping carton. The Product should include all parts and accessories originally packaged with the Product. Include evidence of original purchase and a note describing the defect that has caused you to return it. The Product should be shipped freight prepaid, by traceable means, to warrantor at:

Uniden America Service
4700 Amon Carter Blvd. Fort Worth, TX 76155



VISIT
WWW.UNIDEN.COM
TO REGISTER YOUR
PRODUCT

© 2007 Uniden America Corporation, Fort Worth, Texas. Contains additional foreign articles. Printed in China.

Having Trouble or Need a Part?

Our customer care specialists are here to help you! Visit our website at www.uniden.com or call our Customer Hotline at 1-800-297-1023, Mon-Fri, 7 a.m. to 7 p.m. or Sat/Sun, 9 a.m. to 5 p.m. CST. (Phone support is closed on holidays.)

May be covered under one or more of the following U.S. patents:

4,797,916	5,426,690	5,434,905	5,491,745	5,493,605	5,533,010
5,574,727	5,581,598	5,650,790	5,660,269	5,661,780	5,663,981
5,671,248	5,696,471	5,717,312	5,732,355	5,754,407	5,758,289
5,768,345	5,787,356	5,794,152	5,801,466	5,825,161	5,864,619
5,893,034	5,912,968	5,915,227	5,929,598	5,930,720	5,960,358
5,987,330	6,044,281	6,070,082	6,125,277	6,253,088	6,314,278
6,418,209	6,618,015	6,671,315	6,714,630	6,782,098	6,788,920
6,788,953	6,839,550	6,889,184	6,901,271	6,907,094	6,914,940
6,953,118	7,023,176				

Other patents pending.

UPZZ01094BZ(0)