

# Uniden®

## *Bearcat*® **980 SSB**

### Owner's Manual



Printed in Vietnam  
U01UT563ZZZ(0)

# CONTENTS

<b>SAFETY NOTICE .....</b>	<b>4</b>
<b>UNPACKING .....</b>	<b>4</b>
<b>DESCRIPTION .....</b>	<b>5</b>
<b>EMERGENCY OPERATION .....</b>	<b>5</b>
<b>CONTROLS AND FUNCTIONS .....</b>	<b>6</b>
<b>INSTALLATION.....</b>	<b>9</b>
<b>MOBILE INSTALLATION .....</b>	<b>9</b>
<i>Mobile Antenna.....</i>	<i>9</i>
<i>Connecting the Power Cords .....</i>	<i>9</i>
<i>Ground Information .....</i>	<i>10</i>
<b>INSTALL 6-PIN TO 4-PIN ADAPTER .....</b>	<b>10</b>
<b>MARINE INSTALLATION .....</b>	<b>10</b>
<b>USING YOUR BEARCAT 980 SSB .....</b>	<b>11</b>
<b>CB MODE.....</b>	<b>11</b>
<b>BASIC SETTINGS.....</b>	<b>11</b>
<b>ALL CHANNEL SCAN.....</b>	<b>11</b>
<b>WEATHER MODE (WX MODE) .....</b>	<b>12</b>
<i>Set Weather Alert Mode.....</i>	<i>13</i>
<i>MEMORY Mode.....</i>	<i>13</i>
<i>Save Channels Into Memory.....</i>	<i>13</i>
<i>Scan Channels in Memory .....</i>	<i>13</i>
<i>Listen to Channels in Memory .....</i>	<i>13</i>
<i>Clear Channels from Memory.....</i>	<i>13</i>
<b>MENUS .....</b>	<b>13</b>
<i>Select Display Mode (Day/Night) .....</i>	<i>14</i>
<i>Select Backlight Color.....</i>	<i>14</i>
<i>Set LCD Contrast .....</i>	<i>15</i>
<i>Set Brightness .....</i>	<i>15</i>
<i>Diagnostic Menus .....</i>	<i>15</i>
<i>Battery Check.....</i>	<i>15</i>

<i>Antenna Mismatch Check</i> .....	16
<i>RF Power Check</i> .....	16
<i>EXIT Menu</i> .....	16
<i>S/RF/CAL/SWR Meter</i> .....	17
<i>Calibrate Standing Wave Ratio (SWR)</i> .....	17
<b>PREVENTIVE MAINTENANCE</b> .....	17
<b>MAINTENANCE</b> .....	17
<b>TROUBLESHOOTING</b> .....	18
<b>SERVICING YOUR TRANSCEIVER</b> .....	19
<b>SPECIFICATIONS</b> .....	19
<b>TWO-YEAR EXTENDED WARRANTY</b> .....	21
<b>RADIO CODE DEFINITIONS</b> .....	23

Uniden is a registered trademark of Uniden America Corporation.  
Bearcat is a registered trademark of Uniden America Corporation.



***Features, specifications, and availability of optional accessories are all subject to change without notice..***

## SAFETY NOTICE

The antenna used for this radio must be properly installed and maintained and must provide a separation distance of at least 34 cm (13.4 Inches) from all persons and must not be collocated or operated in conjunction with any other antenna or transmitter. Never transmit if any person is closer than the specified distance to the antenna.

Note that Uniden does not specify or supply any antenna with this transceiver. While a 0 dBi gain antenna is normal for a typical installation, the above limit applies to any antenna with up to 3 dBi gain.

This device complies with Industry Canada licence-exempt RSS standard(s). Operation is subject to the following two conditions: (1) this device may not cause interference, and (2) this device must accept any interference, including interference that may cause undesired operation of the device.

L'appareil est conforme aux normes d'Industrie Canada. Son fonctionnement est soumis aux deux conditions suivantes : (1) Ce dispositif ne doit pas causer d'interférences et (2), il doit pouvoir accepter les interférences, incluant celles pouvant nuire à son fonctionnement normal.

Changes or modifications to this product or use of accessories not expressly approved by Uniden, or operation of this product in any way other than as provided in the Uniden Owner's Manual could void your authority to operate this product.

A complete Owner's Manual in French can be downloaded from <http://www.uniden.com/>.

## UNPACKING

Your Bearcat 980 SSB contains the following:

- Bearcat 980 SSB CB 2-way mobile radio
- Microphone
- Mounting Bracket Kit

- DC Power Cord
- 6-pin to 4-pin microphone adapter
- Owner's Manual
- Part 95 Subpart D (FCC Rules)

If any items are missing or damaged, contact your place of purchase immediately.

## DESCRIPTION

Your Uniden Bearcat 980 SSB represents the highest quality communications device designed for use in the Citizens Band Radio Service. It will operate on any of the 40 AM frequencies authorized by the Federal Communications Commission (FCC).



*The Citizens Band Radio Service is under the jurisdiction of the Federal Communications Commission (FCC). Any adjustments or alterations which would alter the performance of the transceiver's original FCC type acceptance, or which would change the frequency determining method, are strictly prohibited.*

*Replacement or substitution of crystal, transistors, ICs, regulator diodes, or any other part of a unique nature, with parts other than those recommended by Uniden, may cause violations of the technical regulations in Part 95 of the FCC Rules or in violation of type acceptance requirements in Part 2 of the rules.*

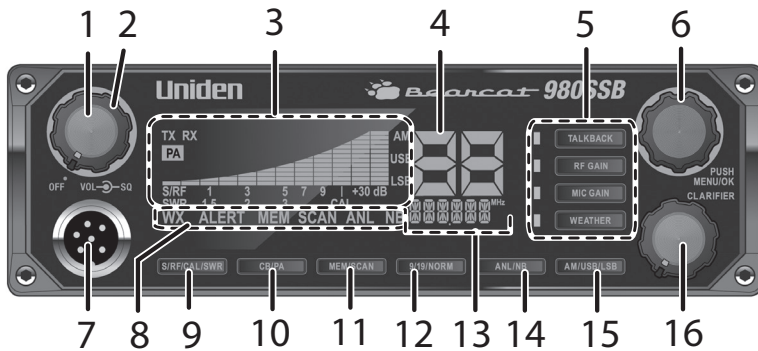
## EMERGENCY OPERATION

1. Press **9/19/NORM** or turn **Channel Selector** knob to Channel 9.
2. Press **PTT** on the microphone and speak clearly.
3. If there is no response, select an active channel and ask that party to relay your emergency broadcast on Channel 9.



*All channels except Channel 9 may be used for normal communication. The FCC reserves Channel 9 for emergencies involving the immediate safety of individuals or protection of property. Use Channel 9 to render assistance to a motorist. This is an FCC rule and applies to all CB radio operators.*

## CONTROLS AND FUNCTIONS



1. **Volume Control** knob with **Power On/Off**. Turn the knob clockwise until it clicks to turn power on. Continue turning the knob clockwise to increase the volume. Turn the **Volume Control** knob counterclockwise to decrease the volume or until it clicks to turn power off.
2. **SQUELCH** knob: Reduces background noise when there is no incoming signal.
3. S/R/F/CAL/SWR Meter: Displays Receive signal strength, RF Power, and SWR reading.
4. Channel Number display.
5. Operation buttons and associated LEDs:
  - **Talkback:** Talkback lets you monitor yourself when transmitting. Press **Talkback** to activate the function (LED = on). With Talkback active, press and hold the **PTT** button and adjust the talkback volume with the **Channel Selector** knob. (Levels 00 - 15). The LED will stay on for 5 seconds after you release the **PTT** button.
  - **RF Gain:** Adjusts receive signal sensitivity. With RF Gain active, press and hold the **PTT** button and adjust the gain levels with the **Channel Selector** knob. (Levels 00 - 05). The LED will stay on for 5 seconds after adjusted.
  - **MIC Gain:** Adjusts microphone gain. Delivers up to 100% modulation. With MIC Gain active, press and hold the **PTT** button and adjust the gain levels with the **Channel Selector**

knob. (Levels 00 - 04). The LED will stay on for 5 seconds after you release the **PTT** button.

- **Weather:** Press to toggle between Weather and CB channels. Turn **Channel Selector** to cycle through the 7 weather channels. (LED off = CB channels; LED on = Weather channels). Press and hold to turn Weather Alert on and off. **ALERT** displays.
6. **Channel Selector/MENU/OK.** Press the inner **MENU/OK** button to select a menu option or other selection. Turn the outer **Channel Selector** knob to:
- Select channels.
  - Select Night or Day Modes. Press **MEM/SCAN** to set up your preferred day and night mode settings.
  - Select menu modes.
  - Change scan resume direction (up or down).
  - Control Talkback volume.
  - Control RF gain.
  - Control Mic gain level.



*All channels except Channel 9 may be used for normal communication. The FCC reserves Channel 9 for emergencies involving the immediate safety of individuals or protection of property. Use Channel 9 to render assistance to a motorist. This is an FCC rule and applies to all CB operators.*

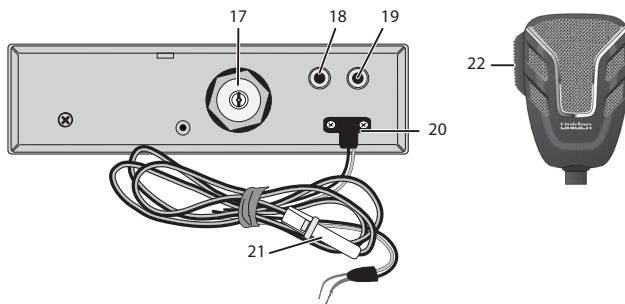
7. Microphone socket.
8. Indicators turn on when the function is turned on.
9. **S/RF/CAL/SWR:** Press to check RF signal strength, calibration, and SWR reading.
10. **CB/PA:** Selects **CB** (Citizens Band) or **PA** (Public Address).



*Do not use the PA function unless an external speaker is connected.*

11. **MEM/SCAN:** Press to start or stop scanning modes [All Channel Scan (see page 11) and Memory Scan (see page 12)]. Press and hold to set or clear channel memory while in Memory mode.
12. **9/19/NORM:** Press to switch between emergency channel 9, channel 19, and standard CB channels.
13. Frequency Display: Displays the MHz of the selected channel. Also

- displays menu options.
14. **ANL/NB:** Provides 3-way control of **ANL** (Automatic Noise Limiter) or **NB** (Noise Blanker) features — ANL on, NB on, or both ANL and NB on or off. **ANL** reduces external noise. **NB** reduces interference from vehicle ignition systems. Press and hold for one second to turn key beep tone on and off.
  15. **AM/USB/LSB:** Three-way switch to select AM, USB or LSB operation.
  16. **Clarifier:** 1.5 kHz. Adjust Receive Frequency without changing the transmitter frequency (Fine and Course adjustment).



17. Antenna socket: Connects antenna to the unit.
18. **PA SP:** Connects optional external 8-ohm, 4-watt speaker for use as a public address system.



*To prevent acoustic feedback, separate the microphone from the speaker when operating the PA at high output levels.*

19. **EXT. SP:** Connects 8Ω 4W speaker to remotely monitor receiver.



*When the external speaker is plugged in, the internal speaker is off.*

20. **POWER** +12 VDC: Connects DC power to transceiver.
21. **FUSE** 6A: Provides circuit protection to transceiver. Inline replaceable.
22. **PTT:** Push-to-Talk. Push microphone button.



# INSTALLATION

## MOBILE INSTALLATION



*Plan the location of the transceiver and microphone bracket before beginning installation.*

1. Select a location that is convenient for operating the radio but does not interfere with the driver or passenger.
2. Install bracket with self-tapping screws provided.
3. Connect the power cords (see below).
4. Attach the microphone bracket to side of the radio or car dash.
5. Attach radio to bracket.

### ***Mobile Antenna***

Because the maximum power output of the transmitter is limited by the FCC, the quality of your antenna is very important. To achieve the maximum transmission distance, Uniden strongly recommends that you install only a high quality antenna. You have just purchased a superior transceiver; don't diminish its performance by installing an inferior antenna.

Only a properly matched antenna system will allow maximum power transfer from the 50-ohm transmission line to the radiating element. Your Uniden dealer is qualified to help you select the proper antenna for your requirements. A whip style antenna may be used for automobile installation.

A short "loaded" whip antenna is easier to install on an automobile, but its efficiency is less than that of a full quarter-wave whip antenna.

### ***Connecting the Power Cords***

Uniden recommends connecting the power lead to the Ignition Switch Accessory Terminal. This way, the transceiver is automatically turned off when the ignition switch is turned off.

As an alternative, the power cord may be connected to an available terminal on the fuse block or to a point in the wiring harness. However, caution must be taken to prevent a short circuit. If in doubt, contact your vehicle dealer for information.

### **Ground Information**

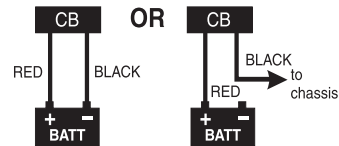


*This transceiver may be installed and used in any 12-volt DC negative ground system vehicle.*

#### **Negative Ground System**

With a negative ground system, the negative (-) battery terminal is usually connected to the vehicle motor block.

Connect the red DC power cord from the transceiver to the positive (+) battery terminal or other convenient point. Then connect the



black power cord to the vehicle chassis or negative (-) battery terminal.

#### **INSTALL 6-PIN TO 4-PIN ADAPTER**

The Bearcat 980 SSB is pre-configured for Uniden's new 6-pin wireless, noise-cancelling technology, available in 2012. Your Bearcat 980 SSB comes with an adapter to connect the radio's 6-pin microphone jack to an aftermarket 4-pin microphone.

1. Insert the 6-pin side of the adapter into the Bearcat 980 SSB 6-pin microphone jack connection.
2. Plug a 4-pin microphone connector into the 4-pin side of the adapter.

#### **MARINE INSTALLATION**

Consult your dealer for information regarding marine installation. It is important to adequately ground the system and to prevent electrolysis between the fittings in the hull and the water.

# USING YOUR BEARCAT 980 SSB

## CB MODE



*Be sure that the power source, antenna, and microphone are properly connected before proceeding.*

## BASIC SETTINGS

1. Turn unit on. Set volume to a comfortable level.
2. Select channel.
3. Set noise limitations as desired (**ANL** or **NB** or both).
4. Adjust Squelch.
  - Turn **SQUELCH** fully clockwise to receive strong signals.
  - Turn **SQUELCH** fully counterclockwise until you hear a hiss. All get through — noise, weak signals, and strong signals.
  - Turn **SQUELCH** back clockwise until the hiss stops. Only clearer signals get through.



*Set **SQUELCH** only when the radio is not receiving a strong signal.*

5. Press **RF Gain** to set RF gain.
6. Press **MIC Gain** then press **PTT** and turn the main control to adjust microphone sensitivity, up to 100% modulation between 0 - 15.
7. Set Backlight color (see page 14).
8. Set LCD Contrast (see page 15).
9. Set Brightness (see page 15).

## ALL CHANNEL SCAN

When All Channel Scan is on, the radio scans channels until it receives a signal. It moves to the next channel if it receives no signal after 3 seconds.

1. Press **MEM/SCAN** twice if in CB mode (once if in MEM mode). **SCAN** displays.
2. The radio begins scanning upward through the channels.
  - To skip the channel the radio has stopped on, turn **Channel**

**Selector** clockwise to move to the next channel or counter-clockwise to move to the previous channel. The radio continues scanning in the selected direction.

- To change to Memory Channel Scan mode, press **MEM/SCAN** while in All Channel Scan mode (see page 10).
3. To exit All Channel Scan mode, press **PTT, 9/19/NORM, WEATHER,** or **CB/PA**.

## WEATHER MODE (WX MODE)

Your radio combines a CB radio with a Weather radio and a Weather Alert system. The Weather Alert system sounds a 7-second signal in the event of severe weather when in CB mode. The Weather radio continually broadcasts weather conditions when you are in Weather mode.

1. Press **WEATHER**. Your radio is now in Weather radio mode.
2. Select 1 of 7 weather channels using **Channel Selector**.



*You cannot change ANL or NB settings while in WX mode. The radio will sound an alert tone.*

## Set Weather Scan Mode

Weather Scan mode allows the radio to move to the next weather channel if no signal is detected after 3 seconds. Set Weather Scan mode to **ON** or **OFF** through the menus.

1. Press **MENU/OK** to activate the menus. **COLOR** displays.
2. Turn the **Channel Selector** knob to cycle through the menu options until **WXSCAN** displays.
3. Press **MENU/OK**. **ON** displays.
4. Press **MENU/OK** to set Weather Scan mode to **ON** or turn the selection knob until **OFF** displays and then press **MENU/OK** to set it. **WXSCAN** displays again.



*If Weather Scan is **ON** when you turn off the radio, it remains **ON**.*

Left at these settings (WX mode, WX Scan), you will hear only weather broadcasts and Weather Alert signals. To use your CB radio normally while monitoring weather alerts, press **WEATHER** again.

### **Set Weather Alert Mode**

Weather Alert mode only operates when you are in CB mode; it does not operate in Weather mode. In CB mode, the radio sounds an alert tone when it detects a 1050Hz tone on a weather channel.

Press and hold **WEATHER** to turn Weather Alert on. **WX ALERT** displays.

### **MEMORY MODE**

You can store channels into memory and then scan only those channels.

#### **Save Channels Into Memory**

1. Tune to a channel in CB mode.
2. Press and hold **MEM/SCAN** until **SAVE** appears (about 2 seconds).
3. Release **MEM/SCAN**.
4. The radio stays on the saved channel.

#### **Scan Channels in Memory**

1. From All Channel Scan mode (see page 11), press **MEM/SCAN** until **MEM** and **SCAN** display; the radio scans memory channels only.
2. Press **MEM/SCAN** again to return to MEMORY mode or the last channel scanned.

#### **Listen to Channels in Memory**

1. Press **MEM/SCAN** until **MEM** displays.
2. Turn the **Channel Selector** knob to hear the channels you saved.

#### **Clear Channels from Memory**

1. In MEM mode, select a channel.
2. Press and hold **MEM/SCAN** until **CLEAR** displays.
3. Release **MEM/SCAN**. The radio plays the next channel in memory.

## MENUS

Access menus by pressing **MENU/OK**. The first menu selection is Day or Night setting. Turn the **Channel Selector** knob to change the Day or Night setting.

Press **MENU/OK** again for:

- Day/Night - display intensity
- COLOR - Backlight color
- CONT - LCD Contrast
- BRIGHT - Brightness
- WXSCAN - Weather Scan mode
- DIAG - Diagnostics
  - Battery Check
  - Antenna Mismatch Check
  - RF Power Check
- Exit

### Select Display Mode (Day/Night)

1. Press **MENU/OK** to access Day or Night selection.
2. Select Day or Night mode setting.
3. Press **MENU/OK** to activate your selection.

### Select Backlight Color

1. Press **MENU/OK** to select Day or Night setting and then press **MENU/OK** again to activate your selection.
2. Press **MENU/OK** to activate the menus. Turn **Channel Selector** until **COLOR** displays.
3. Press **MENU/OK**. Turn **Channel Selector** until **DAY** displays.
4. Press **MENU/OK**. **DAY** blinks.
5. Turn **Channel Selector** to cycle through the available backlight colors or off (none). The selection number for that color displays in that color. The available colors are:

Option No:	Color	Option No:	Color
0	None (Off)	4	Red
1	Blue	5	Magenta

Option No:	Color	Option No:	Color
2	Green	6	Yellow
3	Cyan	7	White

6. Press **MENU/OK** to select a color. *COLOR* displays.
7. Repeat these procedures to set the NIGHT backlight color.

### Set LCD Contrast

1. Press **MENU/OK** to activate the menus. Turn **Channel Selector** until *CONT* displays.
2. Press **MENU/OK**. Turn **Channel Selector** until *DAY* displays.
3. Press **MENU/OK**. *DAY* blinks.
4. Turn **Channel Selector** to cycle through the contrast options.  
(Lowest = 00; Highest = 15)
5. Press **MENU/OK** to select the one you want. *CONT* displays again.
6. Repeat these procedures to set the NIGHT contrast level.

### Set Brightness

1. Press **MENU/OK** to activate the menus. Turn **Channel Selector** until *BRIGHT* displays.
2. Press **MENU/OK**. *DAY* displays.
3. Press **MENU/OK**. *DAY* blinks.
4. Turn **Channel Selector** to cycle through the brightness options.  
(Lowest = 00; Highest = 15)
5. Press **MENU/OK** to select the one you want. *BRIGHT* displays again.
6. Repeat these procedures to set the NIGHT brightness level.

### Diagnostic Menus

1. Press **MENU/OK** to activate the menus.
2. Turn **Channel Selector** until *DIAG* displays.
3. Press **MENU/OK** to enter the *DIAG* level.

From the *DIAG* level, you can check battery power levels, antenna mismatch and RF power levels.

## **Battery Check**

Check the DC power levels if you feel your radio is not performing properly.

1. Once *DIAG* displays, press **MENU/OK**; *VOLT* displays.
2. Press **MENU/OK**; the battery voltage displays for 2 seconds and then the battery voltage condition displays:
  - *PASS* - Voltage is good.
  - *FAILLO* - Voltage is too low.
  - *FAILHI* - Voltage is too high.
3. Press **MENU/OK** to return to the *DIAG* level.

## **Antenna Mismatch Check**

An antenna mismatch indicates that reception quality may be impaired.

1. Once *DIAG* displays, press **MENU/OK**; *VOLT* displays.
2. Turn **Channel Selector** until *ANT* displays.
3. Press **MENU/OK**. *GO PTT* displays.
4. Press and hold **PTT**. The Antenna Mismatch condition, *PASS* or *FAIL*, displays.
5. Release **PTT** and press **MENU/OK** to return to the *DIAG* level.

## **RF Power Check**

RF alerts indicate that the transmission levels are not acceptable.

1. Once *DIAG* displays, press **MENU/OK**; *VOLT* displays.
2. Turn **Channel Selector** until *RF OUT* displays.
3. Press **MENU/OK**. *GO PTT* displays.
4. Press and hold **PTT**. The RF power condition, *PASS* or *FAIL*, displays. (If *FAIL* displays, see the *Troubleshooting* section, page 18.)
5. Release **PTT**; *GO PTT* displays.
6. Press **MENU/OK** to return to the *DIAG* level.

## **EXIT Menu**

Exit the menus from the main menu levels (COLOR, CONT, BRIGHT, WXSCAN, and DIAG). From this level, turn **Channel Selector** until *EXIT*



displays. Press **MENU/OK**. The radio returns to the last operating mode and channel.

## OTHER FEATURES

### ***S/RF/CAL/SWR Meter***

You can check your incoming signal strength and output power as you use your Bearcat 980 SSB. The 12-column LCD display (refer to item number 3 on page 6) displays this data. Press and hold **PTT** on the microphone to see the RF output power levels. Release **PTT** to see incoming signal strength.

### ***Calibrate Standing Wave Ratio (SWR)***

Check and calibrate the SWR to ensure your antenna system is properly tuned.

1. Connect the antenna.
2. Turn **Channel Selector** to set the channel.
3. Press **S/RF/CAL/SWR** until **CAL** displays.
4. Press and hold **PTT**, then rotate the **Channel Selector** until the bar graph meter is at the CAL point.
5. Press **PTT** and note the SWR reading. If the reading is  $> 1.5$ , follow your antenna's instructions to adjust the antenna length. Then, repeat this step.

## PREVENTIVE MAINTENANCE

Every six months:

1. Check the SWR.
2. Be sure all electrical connections are tight.
3. Inspect antenna coaxial cable for wear or breaks in shielding.
4. Be sure all screws and mounting hardware are tight.

## MAINTENANCE

The Bearcat 980 SSB is designed to give you years of trouble-free service. There are no user-serviceable parts inside. It requires no maintenance except replacing the inline fuse in the fuse holder of the DC power cord.

To replace a blown fuse:

1. Press ends of the fuse holder together. Twist to open. Carefully separate the two pieces.
2. Remove the fuse and inspect. If blown, replace with the same type 6-amp fuse.



**Use only the fuse specified for your Bearcat 980 SSB. Failure to do so may void your warranty.**

## TROUBLESHOOTING

In the event of system malfunction, perform the following procedures:

Problem	Suggestion
Unit does not power up	Check power cord connections. Check fuse. Check vehicle electrical system.
No reception	Check microphone connection. Set <b>CB/PA</b> to <b>CB</b> . Check <b>VOLUME</b> and <b>SQUELCH</b> . Check antenna. Check antenna connection. Adjust <b>RF Gain</b> .
Poor Reception	Check <b>VOLUME</b> and <b>SQUELCH</b> . Be sure antenna <b>SWR</b> is normal. Adjust <b>RF Gain</b> .
No Transmission	Set <b>CB/PA</b> switch to <b>CB</b> . Check microphone connection. Adjust <b>MIC Gain</b> .
Low Transmission	Adjust <b>MIC Gain</b> .
Using <b>MEM/SCAN</b> does not access channels in memory	Verify that there are channels saved into memory.
Unit does not work as well as previously.	Turn the power off then back on. The channels will reset.
Battery power check returned <b>FAILLO</b> or <b>FAILHI</b> .	Make sure your power wires have a good connection. Check your battery charge; it needs to be fully charged. Lower voltage will cause a failure. Check your alternator.

Problem	Suggestion
Antenna check returned <i>FAIL</i> .	Make sure your antenna ground is good. Check for damage to the antenna. Check the SWRs at a CB shop. High SWRs will damage the radio.
RF power diagnosis check returned <i>FAIL</i> .	Make sure your antenna ground is good. Check for damage to your antenna. Check the antenna connection on the back of the radio. Be sure it is tight.

If you do not get satisfactory results after performing these checks, call the Uniden Customer Service Center at 1-800-297-1023, 8:00 a.m. to 5:00 p.m. CST, Monday through Friday.

## SERVICING YOUR TRANSCEIVER

Technical information, diagrams, and charts are provided on request. It is the user's responsibility to see that this radio is operating at all times in accordance with the FCC Citizens Radio Service regulations. We highly recommend that you consult a qualified radio/telephone technician for servicing and aligning this CB radio product.



*When ordering parts, be sure to specify the correct model number and serial number of the unit.*

## SPECIFICATIONS

GENERAL	
Channel:	40 AM/USB/LSB
Frequency Range:	CB : 26.965 - 27.405 MHz WX : 162.400 - 162.550 MHz
Emission	Emission AM/USB/LSB
Frequency Control:	PLL Synthesizer
Antenna Impedance:	50 ohms
Power Input:	13.8VDC
Current Drain	
TX:	AM full modulation 2.2A (max.) SSB full power output 4A (max.)

RX:	At no signal: 650 mA
Operating Temperature:	-22°F to 140°F (-30°C to 60°C)
Accessories:	DC Power Cord Noise Cancelling Microphone Microphone Hanger Mounting Bracket
Size (W x D x H):	7.25 in. x 7.5 in. x 2.25 in. (without knobs and jacks) (184.149 mm x 190.50 mm x 57.15 mm)
Weight:	2.2 Pounds
<b>TRANSMITTER</b>	
Output Power:	AM: 4 watts; USB/LSB 12 W PEP SSB
Hum and Noise:	Better than 40 dB
Frequency Tolerance:	±0.002%
Modulation Percentage (Peak):	100%
Spurious Rejection:	-70 dB
Output Impedance:	50 ohm, unbalanced
Unwanted Sideband	-55 db
<b>RECEIVER</b>	
Sensitivity at 10 dB S+N/N:	AM: 0.5 μV; USB/LSB: 0.25 μV
Sensitivity at 500 mW Audio Output:	0.5 μV
Squelch Threshold:	0.5 μV
Antenna Impedance:	50 ohms
Squelch Tight:	1000 μV
Signal Meter S-9:	100 μV
Audio Output Power (max.):	3 watts
Audio Output (10% Distortion):	2.5 watts
Clarifier Range	1.5 kHz
Adjacent Channel Rejection:	60 dB
Image Rejection:	80 dB
Internal Speaker Impedance:	16 ohms
External Speaker Impedance:	8 ohms
<b>PUBLIC ADDRESS</b>	
Output Power at 10% Distortion:	2.5 watts

Specifications shown are typical and subject to change without notice.

## TWO-YEAR EXTENDED WARRANTY

**Important:** Evidence of original purchase is required for warranty service.

**WARRANTOR:** UNIDEN AMERICA CORPORATION (“Uniden”)

**ELEMENTS OF WARRANTY:** Uniden warrants, for two years, to the original retail owner, this Uniden Product to be free from defects in materials and craftsmanship with only the limitations or exclusions set out below.

**WARRANTY DURATION:** This warranty to the original user shall terminate and be of no further effect two years after the date of original retail sale. The warranty is invalid if the Product is (A) damaged or not maintained as reasonable or necessary, (B) modified, altered, or used as part of any conversion kits, subassemblies, or any configurations not sold by Uniden, (C) improperly installed, (D) serviced or repaired by someone other than an authorized Uniden service center for a defect or malfunction covered by this warranty, (E) used in any conjunction with equipment or parts or as part of any system not manufactured by Uniden, or (F) installed or programmed by anyone other than as detailed by the owner's manual for this product.

**STATEMENT OF REMEDY:** In the event that the product does not conform to this warranty at any time while this warranty is in effect, warrantor will either, at its option, repair or replace the defective unit and return it to you without charge for parts, service, or any other cost (except shipping and handling) incurred by warrantor or its representatives in connection with the performance of this warranty. Warrantor, at its option, may replace the unit with a new or refurbished unit. THE LIMITED WARRANTY SET FORTH ABOVE IS THE SOLE AND ENTIRE WARRANTY PERTAINING TO THE PRODUCT AND IS IN LIEU OF AND EXCLUDES ALL OTHER WARRANTIES OF ANY NATURE WHATSOEVER, WHETHER EXPRESS, IMPLIED OR ARISING BY OPERATION OF LAW, INCLUDING, BUT NOT LIMITED TO ANY IMPLIED WARRANTIES OF MERCHANTABILITY OR FITNESS FOR A PARTICULAR PURPOSE. THIS WARRANTY DOES NOT COVER OR PROVIDE FOR THE REIMBURSEMENT OR PAYMENT OF INCIDENTAL OR CONSEQUENTIAL DAMAGES.

Some states do not allow this exclusion or limitation of incidental or consequential damages so the above limitation or exclusion may not apply to you.

**LEGAL REMEDIES:** This warranty gives you specific legal rights, and you may also have other rights which vary from state to state. This warranty is void outside the United States of America.

**PROCEDURE FOR OBTAINING PERFORMANCE OF WARRANTY:** If, after following the instructions in the owner's manual you are certain that the Product is defective, pack the Product carefully (preferably in its original packaging). The Product should include all parts and accessories originally packaged with the Product. Include evidence of original

purchase and a note describing the defect that has caused you to return it. The Product should be shipped freight prepaid, by traceable means, to warrantor at:

Uniden America Service  
743 Henrietta Creek Rd.  
Roanoke, TX 76262

(800) 297-1023, 8 a.m. to 5 p.m., Central, Monday through Friday

## RADIO CODE DEFINITIONS

The following list contains common "10-Codes" used by CB radio operators for faster communication and better understanding.

Code	Meaning	Code	Meaning
10-1	Received poorly	10-34	Trouble at this station
10-2	Receiving well	10-35	Confidential information
10-3	Stop transmitting	10-36	Correct time is
10-4	OK, message received	10-37	Wrecker needed at
10-5	Relay message	10-38	Ambulance needed at
10-6	Busy, stand by	10-39	Your message is delivered
10-7	Out of service, leaving air	10-41	Please turn to channel
10-8	In service, subject to call	10-42	Traffic accident at
10-9	Repeat message	10-43	Traffic tie up at
10-10	Transmission completed, standing by	10-44	I have a message for you
10-11	Talking too rapidly	10-45	All units within range please report
10-12	Visitors present	10-50	Break channel
10-13	Advise Weather/ Road conditions	10-60	What is next message number
10-16	Make pickup at	10-62	Unable to copy, use phone
10-17	Urgent business	10-63	Net directed to
10-18	Anything for us?	10-64	Net clear
10-19	Nothing for you, return to base	10-65	Awaiting your next message/assignment
10-20	My location is	10-67	All units comply
10-21	Call by telephone	10-70	Fire at
10-22	Report in person to	10-71	Proceed with transmission in sequence
10-23	Stand by	10-77	Negative contact

<b>Code</b>	<b>Meaning</b>	<b>Code</b>	<b>Meaning</b>
10-24	Completed last assignment	10-81	Reserve hotel room for
10-25	Can you contact	10-82	Reserve room for
10-26	Disregard last information	10-84	My telephone number is
10-27	I am moving to channel	10-85	My address is
10-28	Identify your station	10-91	Talk closer to microphone
10-29	Time is up for contact	10-93	Check my frequency on this channel
10-30	Does not conform to FCC rules	10-94	Please give me a long count
10-32	I will give you a radio check	10-99	Mission completed, all units secure
10-33	EMERGENCY TRAFFIC	10-200	Police needed at



# CONTENU

AVIS DE SÉCURITÉ.....	2
DÉBALLAGE.....	2
DESCRIPTION .....	3
FONCTIONNEMENT D'URGENCE .....	3
COMMANDES ET FONCTIONS.....	4
INSTALLATION .....	7
INSTALLATION MOBILE .....	7
<i>Antenne mobile</i> .....	7
<i>Branchement des cordons d'alimentation</i> .....	7
<i>Information relative à la mise à la masse</i> .....	8
INSTALLATION DE L'ADAPTATEUR 6 BROCHES À 4 BROCHES .....	8
UTILISER VOTRE RADIO CB BEARCAT 980 SSB.....	9
MODE CB .....	9
RÉGLAGES DE BASE .....	9
BALAYAGE DE TOUS LES CANAUX .....	9
MODE MÉTÉOROLOGIQUE (WX MODE) .....	10
<i>Réglage du mode de balayage des canaux météorologiques</i> .....	10
<i>Réglage du mode d'alerte météorologique</i> .....	11
<i>MODE DE LA MÉMOIRE</i> .....	11
<i>Programmer des canaux en mémoire</i> .....	11
<i>Effectuer un balayage des canaux en mémoire</i> .....	11
<i>Écouter un canal en mémoire</i> .....	12
<i>Effacer les canaux en mémoire</i> .....	12
MENUS.....	12
<i>Sélectionner le mode d'affichage (Day/Night)</i> .....	12
<i>Sélectionner une couleur du rétroéclairage</i> .....	13
<i>Réglage du contraste ACL</i> .....	14
<i>Réglage de la luminosité</i> .....	14
<i>Menus de diagnostic</i> .....	14
<i>Vérification de l'antenne</i> .....	15
<i>Vérification du niveau d'alimentation RF</i> .....	15
<i>Menu quitter</i> .....	15
AUTRES CARACTÉRISTIQUES.....	16
<i>Compteur S/RF/CAL/SWR Meter</i> .....	16
<i>Calibration des ondes stationnaires SWR</i> .....	16
ENTRETIEN PRÉVENTIF .....	16
ENTRETIEN .....	17
DÉPANNAGE .....	17
ENTRETIEN DE L'ÉMETTEUR-RÉCEPTEUR .....	18
SPÉCIFICATIONS .....	19
GARANTIE PROLONGÉE DE DEUX ANS .....	20
DÉFINITIONS DES CODES RADIO .....	22

Uniden est une marque de commerce de Uniden America Corporation.

Bearcat est une marque de commerce de Uniden America Corporation.



***Les caractéristiques, spécifications et disponibilités des accessoires optionnels peuvent changer sans préavis.***

## AVIS DE SÉCURITÉ

L'antenne utilisée conjointement avec cette radio doit être installée convenablement et faire l'objet d'un entretien adéquat; de plus, une distance minimum de 34 cm (13,4 po) doit séparer celle-ci des personnes. L'antenne ne doit pas être installée ni utilisée de concert avec toute autre antenne ou tout autre transmetteur. Ne transmettez pas si des personnes se trouvent à une distance inférieure à celle précisée par les spécifications de l'antenne.

Veuillez noter qu'Uniden ne fournit pas et ne précise pas l'utilisation d'un type d'antenne en particulier avec cet émetteur-récepteur. Bien qu'il soit normal d'installer une antenne avec un gain de 0 dBi pour une installation type, la restriction ci-dessus s'applique à toute antenne dotée d'un gain maximum de 3 dBi.

Cet appareil est conforme la norme d'Industrie Canada exempt de licence RSS (s). Son fonctionnement est soumis aux deux conditions suivantes : (1) cet appareil ne peut pas provoquer d'interférences, et (2) cet appareil doit accepter toute interférence, y compris les interférences qui peuvent causer un mauvais fonctionnement de l'appareil.

Tous les changements apportés à cet appareil, s'ils ne sont pas expressément approuvés par Uniden ou toute utilisation de celui-ci d'une autre manière que celle décrite dans ce guide peut annuler votre autorisation de le faire fonctionner.

## DÉBALLAGE

Déballer la radio CB Bearcat 980 SSB délicatement et vérifiez le contenu avec la liste ci-dessous:

- Radio CB Bearcat 980 SSB
- Microphone
- Trousse de fixation
- Cordon d'alimentation CA
- Adaptateur pour microphone 6 broches à 4 broches
- Guide d'utilisation
- Règlements 95, section D de la FCC

Si un article est manquant ou est endommagé, veuillez contacter le magasin où vous l'avez acheté.

## DESCRIPTION

Votre radio CB Bearcat 980 SSB d'Uniden représente la meilleure qualité de dispositifs de communication des services radio de la bande publique. Il fonctionne sur n'importe quelle des 40 fréquences AM autorisées par la Commission fédérale des communications (FCC).

**!** *Les services radio de la bande publique sont sous la juridiction de la Commission fédérale des communications (FCC). Tout ajustement ou modification qui altérerait la performance originale de l'émetteur-récepteur homologué par la FCC, ou qui changerait la méthode de détermination des fréquences est strictement prohibé.*

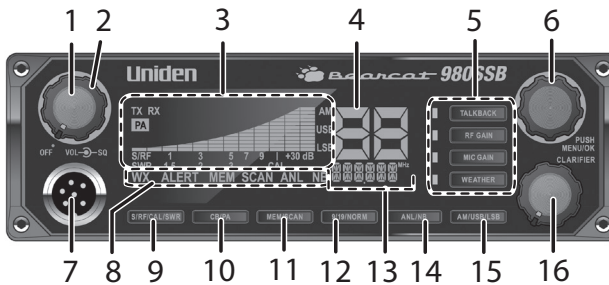
*Le remplacement ou la substitution des cristaux, transistors, circuits intégrés, diodes régulatrices ou toute autre pièce de nature unique par des pièces autres que celles recommandées par Uniden, peut enfreindre la réglementation technique de l'article 95 des règlements de la FCC relativement à l'article 2 traitant des exigences de l'homologation des types.*

## FONCTIONNEMENT D'URGENCE

1. Appuyez sur **9/19/NORM** ou tournez le **Sélecteur des canaux** au canal 9.
2. Appuyez sur le commutateur **PTT** du microphone et parlez clairement.
3. S'il n'y a aucune réponse, sélectionnez un canal actif et demandez à l'autre partie de diffuser votre diffusion d'urgence sur le canal 9.

**NOTE** *Tous les canaux, à l'exception du canal 9, peuvent être utilisés pour la communication normale. Le canal 9 est réservé par la FCC pour les communications d'urgence relatives à la sécurité immédiate des individus ou la protection de la propriété. Le canal 9 peut également être utilisé pour assister un automobiliste. Ceci est un règlement de la FCC et s'applique à tous les opérateurs de radios*

## COMMANDES ET FONCTIONS



1. **Commande de volume** avec mise en/hors fonction **Power On/Off**, tournez le bouton dans le sens horaire afin qu'il clic pour mettre la radio en fonction. Continuez à tourner le bouton dans le sens horaire afin d'augmenter le volume. Tournez la **Commande de volume** dans le sens antihoraire pour diminuer le niveau de volume et jusqu'à ce que la radio se mette hors fonction.
2. Bouton de **SQUELCH** (silencieux) : Réduit le bruit de fond lorsqu'aucun signal entrant n'est présent.
3. S/RF/CAL/SWR Meter (ratio/bruit) : Affiche la puissance du signal envoi/réception et la lecture des ondes stationnaires.
4. Affiche le numéro du canal.
5. Touches de fonctionnement :
  - **Talkback** : Appuyez pour entendre ce que vous transmettez. Appuyez sur **Talkback** pour activer la fonction (le voyant à DEL = allumé). Lorsque la fonction Talkback est activée, maintenez enfoncée **PTT** et régler le volume à l'aide du **Sélecteur des canaux**. (Niveaux 00 - 15). Le voyant à DEL demeurera allumé pendant 5 secondes après le réglage.
  - **MIC Gain** : Permet de régler la sensibilité du microphone. Offre jusqu'à 100 % de modulation. Lorsque la fonction MIC Gain est activée, maintenez enfoncée **PTT** et réglez le gain du microphone en utilisation du **Sélecteur des canaux**. (Niveaux 00 - 04). Le voyant à DEL demeurera allumé pendant 5 secondes après le réglage.
  - **Weather** : Appuyez une fois pour permuter entre les canaux CB et les canaux météo. Tournez le **Sélecteur des canaux** pour

défiler à travers les 10 canaux météo. (Le voyant à DEL éteint = canaux CB; voyant à DEL allumé = canaux météo). Maintenez enfoncé pour mettre l'alerte météorologique en ou hors fonction. **ALERT** apparaîtra.

6. **Sélecteur des canaux/MENU/OK.** Sélectionne les canaux de réception et de transmission. Appuyez sur le bouton pour sélectionner :
  - Permet la sélection des canaux
  - Sélectionnez les modes nuit et jour. Utilisez la touche **MEM/SCAN** afin de régler le mode jour ou nuit
  - Permet la sélection des options du menu
  - Permet de changer la direction du balayage (vers le haut ou le bas)
  - Permet de contrôler le volume de la fonction Talkback
  - Permet de contrôler le gain RF
  - Permet de contrôler le volume de la fonction Mic Gain



*Tous les canaux, à l'exception du canal 9, peuvent être utilisés pour la communication normale. Le canal 9 est réservé par la FCC pour les communications d'urgence relatives à la sécurité immédiate des individus ou la protection de la propriété. Le canal 9 peut également être utilisé pour assister un automobiliste. Ceci est un règlement de la FCC et s'applique à tous les opérateurs de radios CB.*

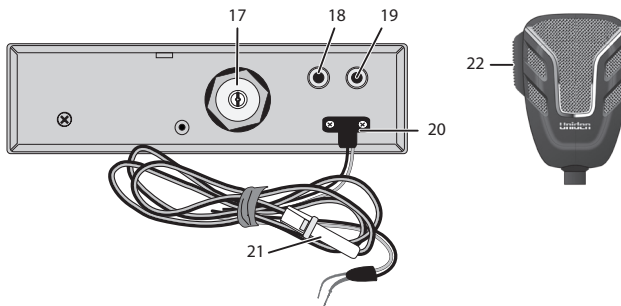
7. Prise pour microphone : 6 pôles.
8. Les voyants s'allument à l'écran ACL lorsque la fonction correspondante est active.
9. **S/RF/CAL/SWR** : Appuyez pour vérifier la puissance du canal, la puissance RF, et la lecture des ondes stationnaires.
10. **CB/PA**: Sélectionnez **CB** (Citizens Band) ou **PA** (Public Address).



*N'utilise pas la fonction PA à moins qu'un haut-parleur externe ne soit branché.*

11. **MEM/SCAN** : Le dernier canal sélectionné ou permet d'effectuer le balayage des canaux (Balayage de tous les canaux et le balayage de la mémoire à la page 11). Maintenez enfoncé pour débiter ou arrêter le mode de balayage.
12. **9/19/NORM** : Appuyez pour commuter entre le canaux d'urgence 9, le canal 19 et les canaux de bande publique.
13. Affichage de la fréquence MHz : Permet d'afficher la fréquence

- MHz du canal sélectionné. Permet également d'afficher les options du menu.
14. **ANL/NB** : Offre un contrôle à trois voies de la fonction **ANL** (réducteur automatique de bruit) — La fonction ANL activée, on NB activée, ou ANL et NB en ou hors fonction. **ANL** réduit le bruit extérieur et **NB** réduit les interférences provenant du système d'ignition de votre véhicule. Maintene enfoncé pendant une seconde afin d'activer ou de désactiver la tonalité des touches.
  15. **AM/USB/LSB** : Commutateur à trois voies permettant de sélectionner le fonctionnement AM, USB ou LSB.
  16. **Clarifier** : 1,5 kHz. Permet de régler les fréquences sans changer la fréquence du transmetteur (réglage fin et rapide).



17. Prise de l'antenne : Permet de brancher l'antenne.
18. **PA SP** : Permet de brancher un haut-parleur externe optionnel de 8 ohms, 4 watts à utiliser lors de la diffusion publique.

**!** Afin d'empêcher la rétroaction, éloignez le microphone du haut-parleur lorsque vous utilisez la diffusion publique PA à des niveaux puissants.

19. **EXT. SP** : Permet de brancher un haut-parleur externe de 8  $\Omega$ , 4 watts pour effectuer le monitoring du récepteur.

**!** Lorsque le haut-parleur externe est branché, le haut-parleur interne sera hors fonction.

20. **POWER** +12 V CC : Permet de brancher l'alimentation CC à la radio CB.
21. **FUSIBLE** 6A : Offre une protection du circuit du transmetteur. Le fusible est remplaçable.

## 22. **PTT**: Bouton microphone "Push-to-Talk".

### **INSTALLATION**

#### **INSTALLATION MOBILE**



*Déterminez l'endroit où vous planifiez installer l'émetteur-récepteur et le microphone avant de débiter l'installation.*

1. Sélectionnez l'endroit le plus pratique pour le fonctionnement de la radio, tout en vous assurant qu'elle n'interférera pas avec le chauffeur ou le passager.
2. Installez le support de fixation à l'aide des vis autotaraudeuse incluses.
3. Branchez les fils (voir ci-dessous).
4. Fixez le support du microphone au côté de la radio ou au tableau de bord de l'automobile.
5. Fixez la radio au support.

#### **Antenne mobile**

Comme la puissance maximum de sortie de l'émetteur-récepteur est déterminée par la FCC, la qualité de votre antenne est très importante. Afin d'obtenir la meilleure distance de transmission, Uniden recommande fortement d'installer une antenne de qualité. Si vous avez acheté un émetteur-récepteur de qualité supérieure, ne diminuez pas la performance en installant une antenne de qualité inférieure.

Seul un système d'antenne bien jumelé procurera un transfert de puissance maximum depuis la ligne de transmission de 50 ohms jusqu'à l'élément rayonnant. Votre marchand Uniden est qualifié pour vous aider à choisir la meilleure antenne pour vos besoins. Une antenne fouet peut être utilisée pour les installations automobiles.

Une antenne fouet courte "chargée" peut être plus facile à installer dans une automobile, mais son efficacité est moindre qu'une antenne fouet quart d'onde pleine grandeur.

#### **Branchement des cordons d'alimentation**

Uniden recommande de brancher le câble d'alimentation à la borne du commutateur d'allumage auxiliaire. De cette façon, l'émetteur-

récepteur est mis hors tension automatiquement lorsque vous arrêtez le commutateur d'allumage.

Comme solution de rechange, vous pouvez raccorder le cordon d'alimentation à une borne disponible sur la boîte à fusibles ou à un point du câblage. Toutefois, vous devez faire attention de ne pas causer de court-circuit. Dans le doute, communiquez avec votre concessionnaire automobile pour plus de renseignements à ce sujet.

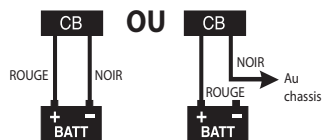
### **Information relative à la mise à la masse**



*Cet émetteur-récepteur peut être installé dans n'importe quel véhicule doté d'un système de mise à la masse de 12 volts CC négatif ou positif.*

#### **Système de mise à la masse négatif**

Avec un système de mise à la masse négatif, la borne négative (-) est normalement branchée au bloc-moteur du véhicule.



Branchez le cordon d'alimentation CC rouge de l'émetteur-récepteur à la borne positive (+) ou autre point prative. Ensuite, branchez le cordon d'alimentation noir au châssis du véhicule ou la borne négative (-) de la batterie.

### **INSTALLATION DE L'ADAPTATEUR 6 BROCHES À 4 BROCHES**

Le Bearcat 980 SSB est préconfiguré avec la nouvelle technologie sans fil à 6 broches d'Uniden, disponible en 2012. Votre Bearcat 980 SSB est doté d'un adaptateur afin de brancher le microphone de 6 broches de la radio à un microphone standard de 4 broches.

1. Insérez l'extrémité à 6 broches de l'adaptateur dans la prise à 6 broches du Bearcat 980 SSB.
2. Branchez un connecteur à 4 broches d'un microphone au côté à 4 broches de l'adaptateur.

### **INSTALLATION MARITIME**

Consultez votre marchand pour plus de détails en rapport avec l'installation maritime. Il est important d'effectuer la mise à la terre



adéquate du système et d'empêcher l'électrolyse entre les raccords de la coque et l'eau.

## UTILISER VOTRE RADIO CB BEARCAT 980 SSB

### MODE CB



*Assurez-vous que la source d'alimentation, l'antenne et le microphone sont branchés correctement avant de continuer.*

### RÉGLAGES DE BASE

1. Mettez l'appareil en fonction. Réglez le volume à un niveau confortable.
2. Sélectionnez un canal.
3. Réglez les limites des interférences, tel que désiré (**ANL/NB**).
4. Ajuster le fonction de suppression du bruit de fond.
  - Tournez le bouton **SQUELCH** dans le sens horaire, de manière à ce qu'uniquement les signaux puissants soient transmis.
  - Tournez le bouton **SQUELCH** complètement dans le sens antihoraire jusqu'à ce vous entendiez un sifflement. Tout passe - les interférences, les signaux faibles et les signaux puissants.
  - Tournez le bouton **SQUELCH** dans le sens horaire jusqu'à ce que le sifflement cesse. Uniquement les signaux clairs passeront.



*Réglez le bouton **SQUELCH** uniquement lorsque la radio ne reçoit pas de signaux puissants.*

5. Tournez le bouton **RF Gain** pour régler la sensibilité RF.
6. Appuyez sur **MIC Gain** puis appuyez sur **PTT** pour activer la commande principale et régler la sensibilité du microphone jusqu'à 100 % de la modulation entre 0-15.
7. Réglez la couleur du rétroéclairage (voir la page 13).
8. Réglez le niveau de contraste de l'écran ACL (voir la page 14).
9. Réglez la luminosité (voir la page 14).

### BALAYAGE DE TOUS LES CANAUX

Lorsque la fonction de balage de tous les canaux est activée, la radio effectuera le balayage de tous les canaux, jusqu'à ce qu'un signal soit

entendu. Elle se déplacera au canal suivant si aucun signal n'est reçu après 3 secondes.

1. Appuyez deux fois sur **MEM/SCAN** si vous êtes en mode CB (une fois si vous êtes en mode MEM). **SCAN** apparaîtra à l'affichage.
2. La radio commence le balayage vers le haut à travers les canaux.
  - Pour sauter le canal sur lequel la radio s'est arrêtée, tournez le **Sélecteur des canaux** dans le sens horaire pour vous déplacer au canal suivant ou dans le sens antihoraire pour vous déplacer au canal précédent.
  - Pour changer le mode de balayage, appuyez sur **MEM/SCAN** lorsqu'en mode de balayage de tous les canaux (voir la page 9).
3. Pour quitter le mode de balayage de tous les canaux, appuyez sur **PTT, 9/19/NORM, WEATHER, ou CB/PA**.

### MODE MÉTÉOROLOGIQUE (WX MODE)

La radio comprend un émetteur-récepteur de la bande publique, une radio météo et un système d'alerte météorologique. La radio météo diffuse les conditions météorologiques en continu. Le système d'alerte météorologique émet un signal de 7 secondes en cas de conditions météorologiques sévères.

1. Appuyez sur **WEATHER**. Votre radio est maintenant en mode météorologique.
2. Sélectionnez can des sept canaux météorologique à l'aide du **Sélecteur des canaux**.



*Vous ne pouvez changer les réglages ANL ou NB en mode WX. La radio émettra une tonalité d'alerte.*

### Réglage du mode de balayage des canaux météorologiques

Le mode de balayage des canaux météorologiques permet à la radio de se déplacer au prochain canal météorologique si aucun signal n'est détecté après 3 secondes. Vous pouvez activer **ON** ou désactiver **OFF** le mode de balayage météorologique.

1. Appuyez sur **MENU/OK** pour activer les menus. **COLOR** apparaîtra.
2. Tournez le **Sélecteur des canaux** pour défiler à travers les options jusqu'à ce que **LUXSCAN** apparaisse.

3. Appuyez sur **MENU/OK**. **ON** apparaîtra.
4. Appuyez sur **MENU/OK** pour activer ou désactiver le balayage des canaux météorologiques, jusqu'à ce que **ON** apparaisse et appuyez sur **MENU/OK** pour confirmer le réglage. **LWXSCAN** apparaîtra à nouveau.



*Si le balayage des canaux météorologiques est activé **ON** lorsque la radio mise hors fonction, cette fonction demeurera activée **ON**.*

Si vous laissez la radio à ces réglages (mode WX, WX Scan), vous n'entendrez que les diffusions météorologiques et les signaux d'alertes météorologiques. Pour utiliser votre radio CB normalement pendant la surveillance météorologique, appuyez de nouveau sur **WEATHER**.

### **Réglage du mode d'alerte météorologique**

Le mode d'alerte météorologique ne fonctionne qu'en mode CD; il ne fonctionne pas en mode météorologique. En mode CB, la radio émettra une tonalité d'alerte lorsqu'elle détectera une tonalité de 1,024 Hz sur un canal météorologique.

Maintenez la touche **WEATHER** enfoncée pour activer la fonction d'alertes météorologiques. **WX ALERT** s'allumera.

## **MODE DE LA MÉMOIRE**

Vous pouvez sélectionner les canaux à entrer en mémoire afin d'effectuer le balayage de ces canaux seulement.

### **Programmer des canaux en mémoire**

1. En mode CB, syntonisez un canal.
2. Maintenez **MEM/SCAN** enfoncé, jusqu'à ce que **SAVE** apparaisse (environ 2 secondes).
3. Relâchez la touche **MEM/SCAN**.
4. La radio demeurera sur le canal sauvegardé.

### **Effectuer un balayage des canaux en mémoire**

1. En mode de balayage de tous les canaux, appuyez sur **MEM/SCAN** jusqu'à ce que **MEM** et **SCAN** apparaisse; la radio effectuera le balayage des canaux en mémoire seulement.

2. Appuyez de nouveau sur **MEM/SCAN** pour activer le mode MEMORY ou le dernier canal balayé.

### **Écouter un canal en mémoire**

1. Appuyez sur **MEM/SCAN** jusqu'à ce que **MEM** apparaisse.
2. Tournez le **Sélecteur des canaux** et vous entendrez uniquement les canaux en mémoire.

### **Effacer les canaux en mémoire**

1. En mode MEMORY, sélectionnez un canal.
2. Maintenez la touche **MEM/SCAN** enfoncée, jusqu'à ce que **CLEAR** apparaisse.
3. Relâchez la touche **MEM/SCAN**. Le prochain canal en mémoire sera entendu.

## **MENUS**

Accédez aux menus en appuyant sur **MENU/OK**. Le premier menu, le menu DAY & NIGHT (nuit et jour) apparaîtra. Tournez le **Sélecteur des canaux** pour changer le menu JOUR et NUIT :

Appuyez sur **MENU/OK** pour :

- DAY/NIGHT - permet de régler l'intensité de l'affichage
- COLOR - Couleur du rétroéclairage
- CONT - Contraste ACL
- BRIGHT - Luminosité
- WXSCAN - Mode de balayage des canaux
- DIAG - Diagnostic
  - Vérification de la pile
  - Antenne mal adaptée
  - Vérification de l'alimentation RF
- Exit (quitter)

### **Sélectionner le mode d'affichage (Day/Night)**

1. Appuyez sur **MENU/OK** pour accéder au menu Day (jour) ou Night (nuit).
2. Sélectionnez le mode Day (jour) ou Night (nuit).

3. Appuyez sur **MENU/OK** pour activer votre sélection.

### **Sélectionner une couleur du rétroéclairage**

1. Appuyez sur **MENU/OK** pour sélectionner Day (jour) ou Night (nuit) et appuyez de nouveau sur **MENU/OK** pour activer votre sélection.
2. Tournez le **Sélecteur des canaux** jusqu'à ce que **COLOR** apparaisse.
3. Appuyez sur **MENU/OK**. Tournez le **Sélecteur des canaux** jusqu'à ce que **DAY** apparaisse.
4. Appuyez sur **MENU/OK**. **DAY** clignotera.
5. Tournez le **Sélecteur des canaux** pour défiler à travers les options de rétroéclairage disponibles ou la mise hors fonction (aucune). Le chiffre correspondant aux couleurs, sont affichées comme suit :

No option :	Couleur	No option :	Couleur
0	Aucune (Off)	4	Rouge
1	Bleu	5	Magenta
2	Vert	6	Jaune
3	Cyan	7	Blanc

6. Appuyez sur **MENU/OK** pour sélectionner cette couleur. **COLOR** apparaîtra.
7. Répétez cette procédure pour le rétroéclairage de la NUIT.

### **Réglage du contraste ACL**

1. Appuyez sur **MENU/OK** pour activer les menus. Tournez le **Sélecteur des canaux** jusqu'à ce que **CONT** apparaisse.
2. Appuyez sur **MENU/OK**. Tournez **Sélecteur des canaux** jusqu'à ce que **DAY** apparaisse.
3. Appuyez sur **MENU/OK**. **DAY** clignotera.
4. Tournez le **Sélecteur des canaux** pour défiler à travers les options du contraste. (Le plus faible = 00; le plus puissant = 15)
5. Appuyez sur **MENU/OK** pour sélectionner le niveau désiré. **CONT** apparaîtra à nouveau.
6. Répétez ces étapes pour régler le niveau de contraste de la NUIT.

### **Réglage de la luminosité**

1. Appuyez sur **MENU/OK** pour activer les menus. Tournez le **Sélecteur des canaux** jusqu'à ce que **BRIGHT** apparaisse.
2. Appuyez sur **MENU/OK**. **DAY** apparaîtra.
3. Appuyez sur **MENU/OK**. **DAY** clignotera.
4. Tournez le **Sélecteur des canaux** pour défier à travers les options de luminosité. (Le plus faible = 00; le plus puissant = 15)
5. Appuyez sur **MENU/OK** pour sélectionner le niveau de luminosité désiré. **BRIGHT** apparaîtra à nouveau.
6. Répétez ces étapes pour régler le niveau de luminosité de la NUIT.

### **Menus de diagnostique**

1. Appuyez sur **MENU/OK** pour activer les menus.
2. Tournez le **Sélecteur des canaux** jusqu'à ce que **DIAG** apparaisse.
3. Appuyez sur **MENU/OK** pour accéder au niveau **DIAG**.

Au menu **DIAG**, vous pouvez vérifier le niveau des piles, les niveaux de puissance RF et si l'antenne est mal adaptée.

### **Vérification des piles**

Vérifiez le niveau d'alimentation CC si vous croyez que votre radio ne fonctionne pas correctement.

1. Lorsque *DIAG* apparaît, appuyez sur **MENU/OK**; *VOLT* apparaîtra.
2. Appuyez sur **MENU/OK**; le niveau de tension des piles apparaîtra pendant 2 secondes et le niveau des piles apparaîtra comme suit :
  - *PASS* - La tension est bonne.
  - *FAILLO* - La tension est trop faible.
  - *FAILHI* - La tension est trop faible.
3. Appuyez sur **MENU/OK** pour retourner au niveau *DIAG*.

### **Vérification de l'antenne**

Une indication d'antenne mal adaptée signifie que la qualité pourrait être affectée.

1. Lorsque *DIAG* apparaît, appuyez sur **MENU/OK**; *VOLT* apparaîtra.
2. Tournez le **Sélecteur des canaux** jusqu'à ce que *ANT* apparaisse.
3. Appuyez sur **MENU/OK**. *GO PTT* apparaîtra.
4. Maintenez **PTT** enfoncé. Les options d'antenne mal adaptée suivantes, *PASS* ou *FAIL*, apparaîtront.
5. Relâchez la touche **PTT** et appuyez sur **MENU/OK** pour retourner au niveau *DIAG*.

### **Vérification du niveau d'alimentation RF**

Les alertes RF indiquent que le niveau de transmission n'est pas acceptable.

1. Lorsque *DIAG* apparaît, appuyez sur **MENU/OK**; *VOLT* apparaîtra.
2. Tournez le **Sélecteur des canaux** jusqu'à ce que *RF OUT* apparaîtra.
3. Appuyez sur **MENU/OK**. *GO PTT* apparaîtra.
4. Maintenez enfoncé **PTT**. Le niveau RF, *PASS* ou *FAIL*, apparaîtra. (Si *FAIL* apparaît, consultez la section Dépannage de la page 17.)
5. Relâchez **PTT**; *GO PTT* apparaîtra.
6. Appuyez sur **MENU/OK** pour retourner au niveau *DIAG*.

### **Menu quitter**

Pour quitter les menus à partir du premier niveaux de menus (*COULEUR*, *CONT*, *BRIGHT*, *WXSCAN* et *DIAG*). À ce niveau, tournez le **Sélecteur des canaux** jusqu'à ce que *EXIT* apparaisse. Appuyez sur **MENU/OK**. La radio retournera au dernier mode de fonctionnement.

## AUTRES CARACTÉRISTIQUES

### **Compteur S/RF/CAL/SWR Meter**

Vous pouvez vérifier la force du signal entrant et sortant pendant l'utilisation de la radio Bearcat 980 SSB. L'écran ACL à 12 colonnes (consultez l'article 3 de la page 4) affichera ces données. Maintenez le bouton **PTT** du microphone enfoncé pour afficher le niveau de puissance de sortie. Relâchez le bouton **PTT** pour connaître le niveau de puissance du signal entrant.

### **Calibration des ondes stationnaires SWR**

Vérifiez la calibration des ondes stationnaires SWR afin de vous assurer d'utiliser le niveau de puissance adéquat.

1. Appuyez sur **S/RF/CAL/SWR** jusqu'à ce que **CAL**.
2. Appuyez et maintenez enfoncée la touche **PTT**, et tournez le **Sélecteur des canaux** jusqu'à ce que la barre se trouve au point **CAL**.
3. Appuyez sur **S/RF/CAL/SWR** jusqu'à ce que l'écran ACL affiche **SWR**.
4. Appuyez sur la touche **PTT** et prenez en note la lecture SWR. Si la lecture est  $> 1.5$ , vérifiez les instructions relatives à l'antenne afin de régler la longueur de l'antenne. Ensuite, répétez cette étape.

## ENTRETIEN PRÉVENTIF

Tous les six mois :

1. Vérifiez le ratio d'ondes stationnaires (SWR).
2. Assurez-vous que toutes les connexions électriques sont serrées.
3. Inspectez le câble coaxial de l'antenne pour l'usure ou les bris dans la gaine.
4. Assurez-vous que toutes les vis et la quincaillerie de fixation sont serrées.



## ENTRETIEN

La radio Bearcat 980 SSB est conçue pour vous offrir des années d'utilisation sans problème. Aucune pièce ne pouvant être réparée par l'utilisateur ne se trouve à l'intérieur. À l'exception du fusible et du cordon d'alimentation CA, aucun entretien n'est nécessaire.

Pour remplacer un fusible :

1. Appuyez sur les extrémités du capuchon. Dévissez pour l'ouvrir. Séparez délicatement les deux parties.
2. Retirez le fusible et inspectez-le. S'il est brûlé, remplacez-le avec un fusible de 6 ampères de même type.



**Utilisez un fusible spécifié pour votre radio Bearcat 980 SSB. Sinon, la garantie sera annulée.**

## DÉPANNAGE

Si le système ne fonctionne pas correctement, veuillez procéder aux suggestions ci-dessous :

<b>Problème</b>	<b>Suggestion</b>
L'unité ne se met pas en fonction	<ul style="list-style-type: none"><li>• Vérifiez la connexion du cordon d'alimentation.</li><li>• Vérifiez le fusible.</li><li>• Vérifiez le système électrique du véhicule.</li></ul>
Aucune réception	<ul style="list-style-type: none"><li>• Vérifiez la connexion du microphone.</li><li>• Réglez <b>CB/PA</b> à <b>CB</b>.</li><li>• Vérifiez le <b>VOLUME</b> et la fonction <b>SQUELCH</b>.</li><li>• Vérifiez l'antenne.</li><li>• Vérifiez le raccord de l'antenne.</li><li>• Réglez la fonction <b>RF Gain</b>.</li></ul>
Réception faible	<ul style="list-style-type: none"><li>• Vérifiez le <b>VOLUME</b> et la fonction <b>SQUELCH</b>.</li><li>• Assurez-vous que le signal <b>SWR</b> est normal.</li><li>• Réglez la fonction <b>RF Gain</b>.</li></ul>
Aucune transmission	<ul style="list-style-type: none"><li>• Réglez le commutateur <b>CB/PA</b> à <b>CB</b>.</li><li>• Vérifiez la connexion du microphone.</li><li>• Réglez la fonction <b>MIC Gain</b>.</li></ul>
Transmission faible	<ul style="list-style-type: none"><li>• Réglez la fonction <b>MIC Gain</b>.</li></ul>

<b>Problème</b>	<b>Suggestion</b>
L'utilisation de la touche <b>MEM/SCAN</b> ne permet pas d'accéder aux canaux en mémoire	<ul style="list-style-type: none"> <li>• Vérifiez que des canaux sont sauvegardés en mémoire.</li> </ul>
L'unité ne fonctionne pas aussi bien qu'au paravant.	<ul style="list-style-type: none"> <li>• Mettez l'appareil hors fonction et en fonction. Les canaux seront réinitialisés.</li> </ul>
La vérification de la puissance des piles affiche <i>FAILLO</i> ou <i>FAILHI</i> .	<ul style="list-style-type: none"> <li>• Assurez-vous que les fils soient bien branchés.</li> <li>• Assurez-vous que le bloc-piles se recharge; celui-ci doit être pleinement chargé. Une charge faible pourrait afficher un problème.</li> <li>• Vérifiez votre alternateur.</li> </ul>
La vérification de l'antenne affiche <i>FAIL</i> .	<ul style="list-style-type: none"> <li>• Assurez-vous que l'antenne est correctement mise à la terre.</li> <li>• Vérifiez si l'antenne est endommagée.</li> <li>• Faites vérifier la puissance du signal SWR au centre de service pour radio CB. Un signal SWR élevé pourrait endommager la radio.</li> </ul>
Le diagnostic que la puissance RF affiche <i>FAIL</i> .	<ul style="list-style-type: none"> <li>• Assurez-vous que la mise à la terre de l'antenne est effectuée correctement.</li> <li>• Vérifiez si l'antenne est endommagée.</li> <li>• Vérifiez si la connexion de l'antenne à l'arrière de la radio est effectuée correctement.</li> </ul>

Si vous n'êtes pas satisfait des résultats après avoir procédé aux vérifications suivantes, communiquez avec le Département du soutien à la clientèle d'Uniden au 1-800-297-1023, 8:00 à 17:00, heure centrale, du lundi au vendredi.

## ENTRETIEN DE L'ÉMETTEUR-RÉCEPTEUR

L'information technique, les diagrammes et les tableaux sont offerts sur demande. Il est de la responsabilité de l'utilisateur de s'assurer que la radio fonctionne selon les normes établies par les règlements des bandes publiques de la FCC. Nous vous recommandons fortement de consulter un technicien radio/téléphone qualifié pour l'entretien de cette radio CB.

**NOTE** *Lorsque vous commandez des pièces, assurez-vous de spécifier le numéro de modèle et le numéro de série de l'appareil.*

# SPÉCIFICATIONS

## GÉNÉRAL

Canaux :	40 AM/USB/LSB
Gamme de fréquences :	CB : 26.965 - 27.405 MHz WX : 162.400 - 162.550 MHz
Émissions	Émissions AM/USB/LSB
Contrôle de fréquences :	Système à boucle d'avertissement en phase "PLL"
Impédance de l'antenne :	50 ohms
Tension à l'entrée :	13,8 V CC
Courant absorbé	
TX :	Modulation AM 2,2 A (max.) SSB puissance de sortie maximale 4 A (max.)
RX :	À aucun signal : 650 mA
Température de fonctionnement :	-22° F à 140° F (-30° C à 60° C)
Accessoires :	Cordon d'alimentation CC Microphone Support pour microphone Support de fixation
Dimensions (L x P x H) :	7,25 po x 7,25 po x 2,25 po (sans les boutons et les prises) (184,15 mm x 190,5 mm x 57,15 mm)
Poids :	2,2 lb

## TRANSMETTEUR

Puissance à la sortie :	AM : 4 watts; USB/LSB 12 watts PEP SSB
Niveaux de ronflement et bruits :	Meilleur que 40 dB
Tolérance de fréquence :	$\pm 0,002\%$
Pourcentage de modulation (crête) :	100 %
Rejet des fréquences parasites :	-70 dB
Impédance à la sortie :	50 ohms, non balancés
Bande latérale indésirable :	- 55 dB

## RÉCEPTEUR

Sensibilité à 10 dB R+S/B:	AM : 0,5 $\mu$ V; USB/LSB : 0,250 $\mu$ V
----------------------------	---

Sortie audio sensibilité à 500 mW :	0,5 $\mu$ V
Seuil de blocage réception :	0,5 $\mu$ V
Impédance de l'antenne :	50 ohms
Suppression serrée :	1000 $\mu$ V
Compteur S-9:	100 $\mu$ V
Puissance de sortie audio (max.):	3 watts
Sortie audio (10 % dist.) :	2,5 watts
Portée du clarificateur :	1,0 kHz
Sélectivité dans un canal adjacent :	60 dB
Réjection d'image :	80 dB
Impédance du haut-parleur interne:	16 ohms
Impédance du haut-parleur externe:	8 ohms

#### DIFFUSION PUBLIQUE

Puissance de sortie à 10 % de distorsion :	2,5 watts
--	-----------

*Les spécifications indiquées peuvent changer sans préavis.*

## GARANTIE PROLONGÉE DE DEUX ANS

**Important :** Tout service sous garantie requière une preuve de l'achat original.

**LE RÉPONDANT DE LA GARANTIE :** LA CORPORATION UNIDEN AMERICA (ci-après 'UNIDEN').

**ÉLÉMENTS DE LA GARANTIE :** Pendant une période de deux (2) ans, Uniden garantit à l'acheteur original que cet appareil d'Uniden sera libre de tout défaut de pièces et de main-d'oeuvre, selon les restrictions et exclusions décrites ci-dessous.

**DURÉE DE LA GARANTIE :** Cette garantie, qui ne s'applique qu'à l'acheteur original, se terminera et ne sera donc plus en effet 24 mois après la date de l'achat original dans un magasin au détail. Cette garantie sera nulle si l'appareil est (A) endommagé ou n'a pas été maintenu en bon état suite à un entretien raisonnable ou nécessaire, (B) modifié, altéré ou utilisé en tant que composante d'un ensemble de conversion, d'assemblages secondaires ou toute autre configuration qui n'est pas vendue par Uniden, (C) mal installé, (D) réparé ou entretenu par toute autre entité qu'un centre de service autorisé par Uniden pour n'importe quel problème ou défaillance couvert par cette garantie, (E) utilisé conjointement avec des équipements, pièces ou en tant que composante d'un système qui ne soit pas fabriqué par Uniden, ou (F) installé ou programmé par d'autres personnes que celles mentionnées dans le guide d'utilisation de cet appareil.

**ÉNONCÉ DES RECOURS :** Au cas où cet appareil ne serait pas conforme à la garantie, et ce, en tout temps pendant la période de cette garantie, le répondant s'engage à réparer le défaut et à vous retourner l'appareil sans frais de pièces ni de main-d'oeuvre, ni d'autres frais (à l'exception des frais de port et de manutention) encourus par le répondant ou l'un de ses représentants relativement à l'exécution de cette garantie. Le répondant pourra, à sa seule discrétion, remplacer l'appareil par un appareil neuf ou remis à neuf. LA GARANTIE LIMITÉE DÉCRITE CI-HAUT CONSTITUE LA SEULE ET ENTIÈRE GARANTIE SE RAPPORTANT À L'APPAREIL ET REMPLACE ET EXCLUT TOUTE AUTRE GARANTIE DE QUELQUE NATURE QUE CE SOIT, QU'ELLE SOIT FORMELLE, TACITE OU SURVENANT SUITE À L'IMPLANTATION D'UNE LOI, INCLUANT, MAIS SANS S'Y LIMITER, TOUTES LES GARANTIES TACITES EN QUALITÉ LOYALE ET MARCHANDE OU LES APTITUDES À UN BUT PARTICULIER. CETTE GARANTIE NE COUVRE PAS NI NE PRÉVOIT PAS DE PROVISION POUR LE REMBOURSEMENT NI LE PAIEMENT DES DOMMAGES-INTÉRÊTS DIRECTS OU INDIRECTS. Certaines provinces ou certains États ne permettent pas d'exclusions ni de restrictions pour les dommages-intérêts directs ou indirects et les restrictions ou exclusions décrites ci-dessus peuvent ne pas s'appliquer à vous.

**RECOURS LÉGAUX :** Cette garantie vous donne des droits légaux spécifiques et vous pouvez avoir d'autres droits variant de province en province. Cette garantie devient nulle à l'extérieur des États-Unis et du Canada.

**MARCHE À SUIVRE POUR HONORER LA GARANTIE :** Si, après avoir suivi les directives du guide d'utilisation, vous êtes persuadé(e) que votre appareil est défectueux, emballez-le soigneusement (dans son emballage original, si possible). Joignez-y votre preuve d'achat et une note décrivant le problème. Expédiez l'appareil, port payé, par l'entremise d'un service postal certifié et assuré ou d'un courrier qui vous permettra de retrouver ultérieurement l'envoi, au répondant de la garantie, à l'adresse suivante :

**Uniden America Service**

Uniden America Service  
743 Henrietta Creek Rd.  
Roanoke, TX 76262

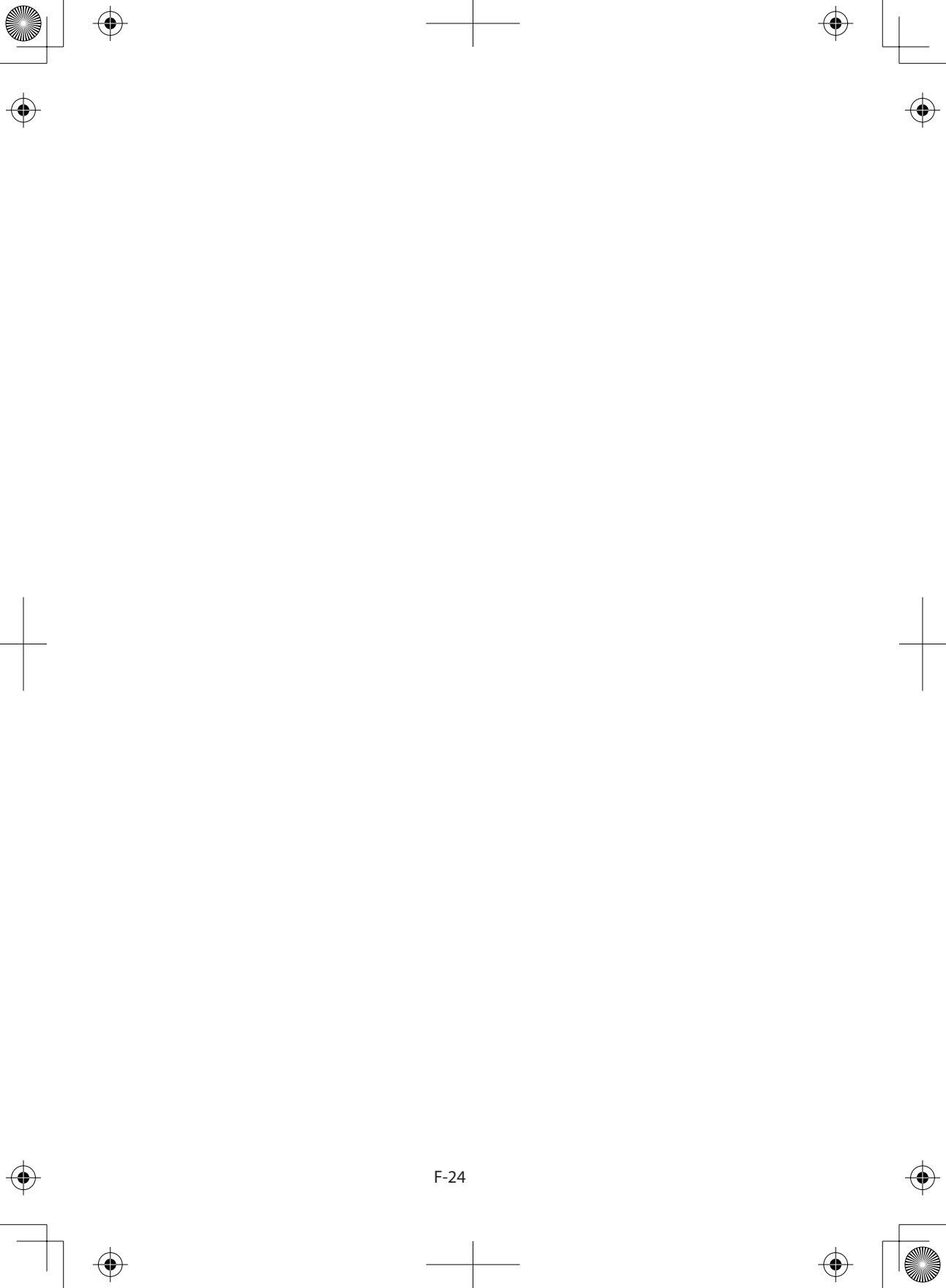
800-297-1023, 8:00 à 17:00, heure centrale du lundi au vendredi

## DÉFINITIONS DES CODES RADIO

La liste suivante comporte les codes "10" les plus fréquemment utilisés par les opérateurs de radio CB afin de communiquer plus rapidement et de manière plus efficace.

Code	Signification	Code	Signification
10-3	Arrêter de transmettre	10-36	L'heure exacte
10-4	Oui, message reçu	10-37	Remorqueuse demandée à...
10-5	Me faire un relais	10-38	Ambulance demandée à...
10-6	Occupé, SVP attendre	10-39	Votre message est fait
10-7	Je quitte les ondes	10-41	Nouveau canal. Syntonisez le canal...
10-8	En opération	10-42	Accident de la circulation à...
10-9	Répétez votre message	10-43	Circulation immobilisée à...
10-10	Terminé... Je reste à l'écoute	10-44	J'ai un message pour vous...
10-11	Vous parles trop vite	10-45	Toutes les unités à l'écoute, prière de vous annoncer.
10-12	Avons visiteurs présents	10-50	Laissez-moi transmettre
10-13	Conditions routes/ température	10-60	Donnez le numéro du message suivant.
10-16	Prenez livraison à...	10-62	Réception impossible. Faire un appel téléphonique
10-17	Affaire urgente	10-63	Réseau dirigé vers...
10-18	Quelque chose pour moi?	10-64	Réseau libre
10-19	Rien pour vous... Revenez à la base ou à la station	10-65	Attends message suivant (ou mission)
10-20	Je suis à...	10-67	Toutes les unités se conforment.
10-21	Appel téléphonique ou autre (mais non radio)	10-70	Incendie à...
10-22	Venez en personne à...	10-71	Vos émissions à la suite
10-23	Restez à l'écoute	10-77	Contact négatif
10-24	Dernière mission terminée	10-81	Réserver une chambre d'hôtel à...
10-25	Pouvez-vous communiquer avec...	10-82	Réserver une chambre pour...

<b>Code</b>	<b>Signification</b>	<b>Code</b>	<b>Signification</b>
10-26	Annulez le dernier message	10-84	Mon numéro de téléphone est...
10-27	Je passe au canal	10-85	Mon adresse est...
10-28	Donnez l'indicatif d'appel	10-91	Parlez plus près du microphone
10-29	Période d'émission terminée	10-93	Vérifiez ma fréquence sur ce canal
10-30	N'est pas conforme aux règlements de la FCC (Industrie Canada)	10-94	Donnez-moi un long compte
10-32	Rapport signal/modulation	10-99	Mission achevée. Toutes les unités en bon état
10-33	URGENCE À CETTE STATION	10-200	Police demandée à...



F-24