

NFC Reader



Thank you for purchasing the NFC Reader series products. This EMV compliant NFC Reader is a passenger interface device primarily to provide secure contactless payment services utilizing Near Field Communication (NFC) technology. This device is also intended to provide contactless interface for passengers to utilize non-payment applications as listed in Features section of this manual. The NFC Reader communicates with a host computer or terminal using a standard USB interface.

FEATURES

Communicate with Near Field Communications (NFC) standard cards(passive), and NFC-enabled electronic mobile devices (active, i.e. smart phones, tablets) for electronic payments and data exchange.

Supports ISO 14443 type A & B standard

Supports ISO/IEC 18092 (peer to peer/NFCIP-1)

Supports American Express ExpressPay, Discover DPAS, MasterCard PayPass, Visa payWave, JCB and China Union Pay Quickpass

USB 2.0 Interface

AGENCY APPROVAL

Specifications for FCC Class B, CE Class B



NOTE: This equipment has been tested and found to comply with the limits for a Class B digital device, pursuant to part 15 of the FCC Rules. These limits are designed to provide reasonable protection against harmful interference in a residential installation.

This equipment generates, uses and can radiate radio frequency energy and, if not installed and used in accordance with the instructions, may cause harmful interference to radio communications. However, there is no guarantee that interference will not occur in a particular installation. If this equipment does cause harmful interference to radio or television reception, which can be determined by turning the equipment off and on, the user is encouraged to try to correct the interference by one or more of the following measures:

- Reorient or relocate the receiving antenna.
- Increase the separation between the equipment and receiver.
- Connect the equipment into an outlet on a circuit different from that to which the receiver is connected.
- Consult the dealer or an experienced radio/ TV technician for help.

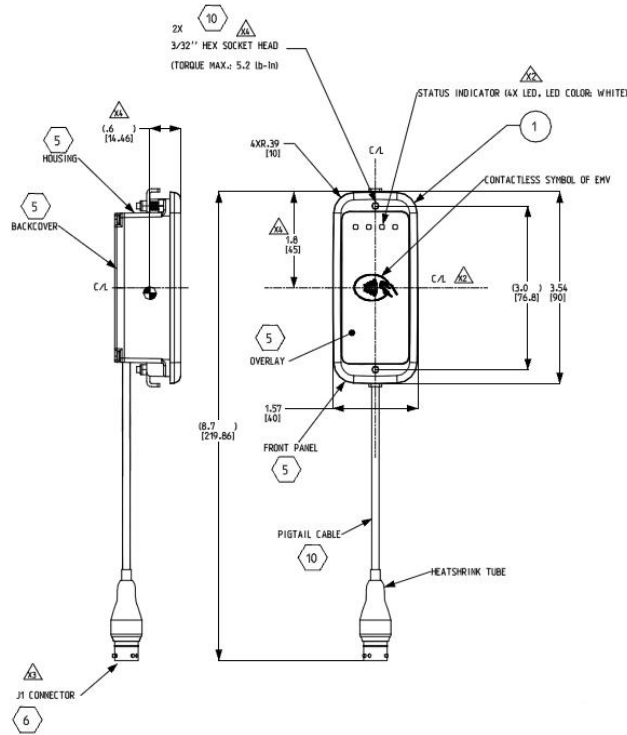
You are cautioned that any change or modifications to the equipment not expressly approve by the party responsible for compliance could void your authority to operate such equipment.

This device complies with part 15 of the FCC Rules. Operation is subject to the following two conditions:

(1) This device may not cause harmful interference, and (2) this device must accept any interference received, including interference that may cause undesired operation

SPECIFICATIONS

Communication	Compatible with USB 2.0 specification
Power Requirements	5VDC
Power Consumption	60mA in standby mode; 250mA in max rated load
Operating Temperature	-20 to 70 °C
Operating Humidity	20 to 85% (non condensing)
Dimensions	3.54 in [90mm] x 1.57 in [40mm] x 1.22 in [31mm]



PIN ASSIGNMENT

REF DES	PIN NO.	SIGNAL DESCRIPTION
J1	1	NFC USB DATA HI
	2	NFC USB DATA LO
	3	NFC USB POWER
	4	NFC USB POWER RETURN
	5	NOT USED
	BACKSHELL	NFC USB CABLE SHIELD

Warnings: