

Modification History

Date	Revision	Editor	Comment
0.1	2014/10/15		

Wi-Fi module Specification

Product Name	Wi-Fi module	
Model Number	Home Extender Family	
Host interface	Wifi, Fast Ethernet ,USB, I2c,SPI,UART	
Wireless LAN	Band	2.4G ISM
	Channels	USA and Canada: ch1~ch11
	Standard	82.11 n 20HT
	TX power(high gain)	802.11n:17~19dbm
	RX sensitivity	802.11n:-61dbm
	Antenna gain	5dbi
Wire LAN	Fast Ethernet(10/100M) x2	
Led indicator	Wireless x1, Ethernet x2, power x1	
Input power	DC5V/2.1A	
Power consumption	<15W	
Temperature Range	Operating Temp:-10~60°C Storage Temp:-10~65°C	
Humidity	Operation Humidity: 10~90% Non-condensing	
PCB Dimension	70x57.66mm	
Regulatory compliance	FCC	

Detail description

1 Description

802.11n 20HT Wi-Fi Board, High Power High Gain

2 System

CPU : 580 MHz MIPS® 24K™ CPU core / MT7620A

Flash : 16MB

DDR2 : 64MB

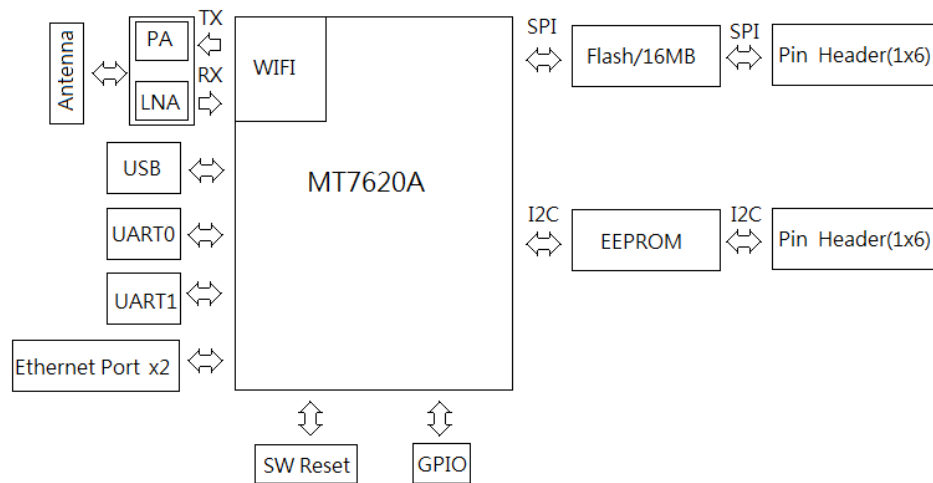
RTC : NO

RF : 1T1R,802.11n 20HT,High power

Ethernet : 10/100Mbps Fast ethernet

3 Function

3.0 Function Block



3.1 Wi-Fi spec

Compliance IEEE802.11n 20HT

3.2 Ethernet

Compliance IEEE802.3u

3.4 USB

Support USB2.0 host

3.5 I2c

Support standard speed (100kbps)

3.6 SPI

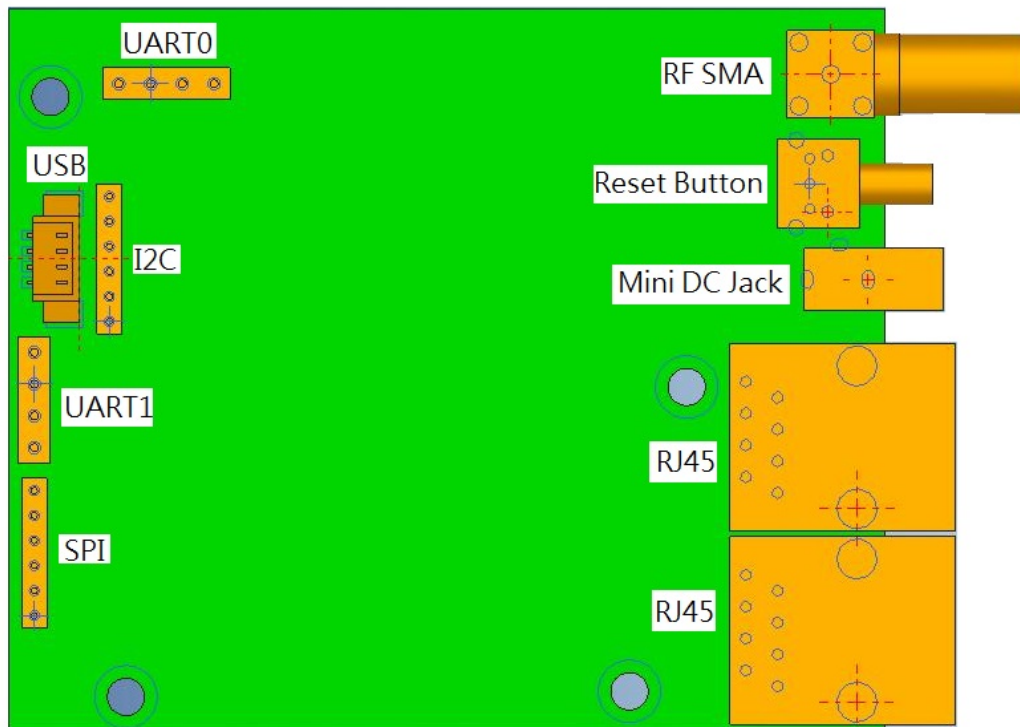
3.7 UART

Compatible with RS232

4 HW interface

Interface	Connector	MT7620A	
		Function	Pin
Wi-Fi	SMA	N/A	N/A
Ethernet port 0	RJ45	MDI_TN_P0 MDI_TP_P0 MDI_RN_P0 MDI_RP_P0	U17 U16 T15 U15
Ethernet port 4	RJ45	MDI_RP_P0 MDI_TP_P4 MDI_RN_P4 MDI_RN_P4	M17 M16 N17 N16
USB	Mini USB	UPHY0_PADM UPHY0_PADP	C16 C17
UART0	Pin header 1x4	TXD RXD	R12 P12
UART1	Pin header 1x4	TXD2 RXD2	P13 P14
I2C	Pin header 1x6	I2C_SCLK I2C_SD	U14 T14
SPI	Pin header 1x6	SPI_CS0 SPI_CLK SPI_MOSI SPI_MISO SPI_CS1	C7 D8 A8 C8 C9
Reset Button	Tack switch	ND_D0	P8
Power Jack	Mini DC Jack	N/A	N/A
GPIO	Test point	ND_D3 ND_D4	U10 T9

5 PCB Placement



Warning:

This device must be professionally installed. The intended use is generally not for the general public. It is generally for industry/commercial use. Installers must be provided with antenna installation instructions and transmitter operating conditions for satisfying RF exposure compliance.

IMPORTANT NOTE:

This module is intended for OEM integrator. The OEM integrator is still responsible for the FCC compliance requirement of the end product which integrates this module.

USERS MANUAL OF THE END PRODUCT:

In the users manual of the end product, the end user has to also be informed that any changes or modifications not expressly approved by the manufacturer could void the user's authority to operate this equipment. If the size of the end product is smaller

than 8x10cm, then additional FCC part 15.19 statement is required to be available in the users manual: This device complies with Part 15 of FCC rules. Operation is subject to the following two conditions: (1) this device may not cause harmful interference and (2) this device must accept any interference received, including interference that may cause undesired operation.

LABEL OF THE END PRODUCT:

The final end product must be labeled in a visible area with the following " Contains TX FCC ID: TFJHE7620. If the size of the end product is larger than 8x10cm, then the following FCC part 15.19 statement has to also be available on the label: This device complies with Part 15 of FCC rules. Operation is subject to the following two conditions: (1) this device may not cause harmful interference and (2) this device must accept any interference received, including interference that may cause undesired operation.