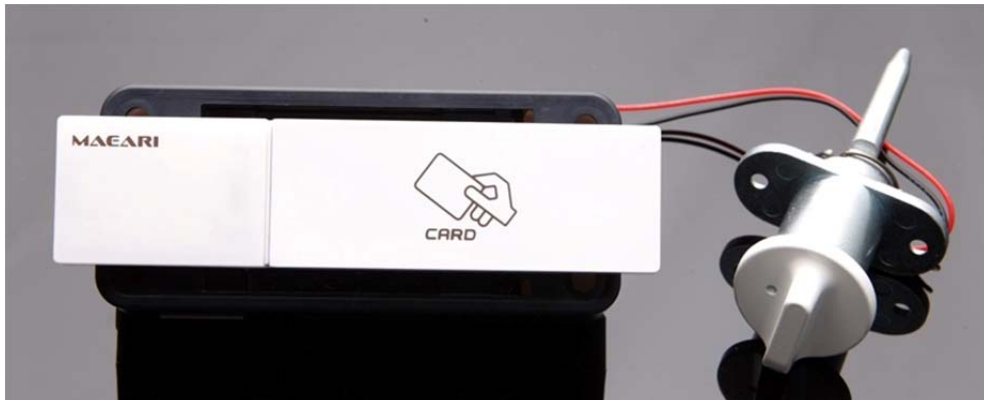


MAEARI

Model No. ML22HRH, ML22HRV
ML32HRH, ML32HRV



UNILOCK

2013. 12

RFID Type Front



Drawer Cylinder



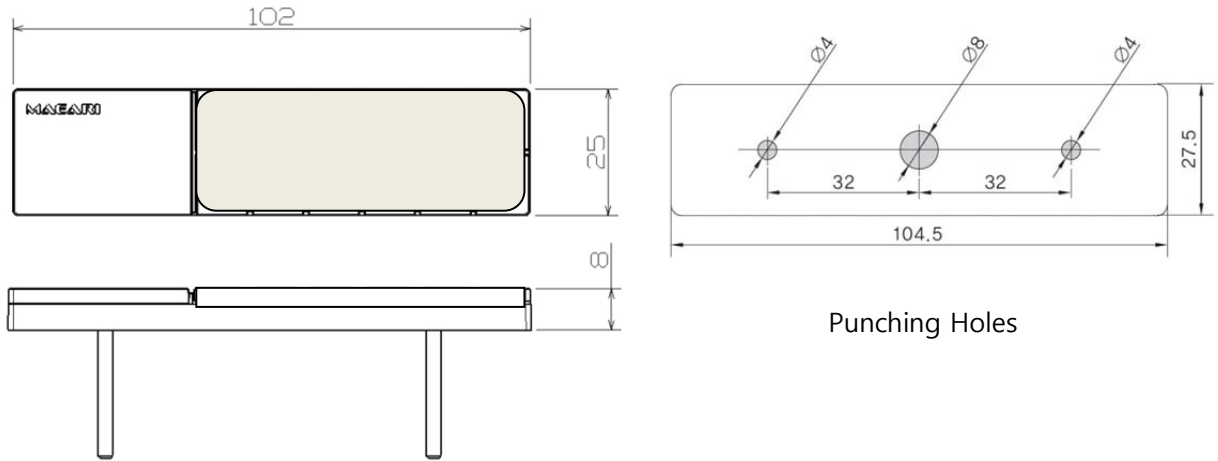
Cam Cylinder



Specifications	
RFID 13.56 MHz Mifare	Materials & Environments
Master 1	Front: ABS Plastic
User 1	Lock Cylinder: Zinc casting
External Battery Pack (Option)	Working temperature: -15~55 °C
Using 3 AAA Alkaline batteries	Working humidity: 0~90 % RH
Usable up to 1 year (10 times/day)	USB Port for debugging program

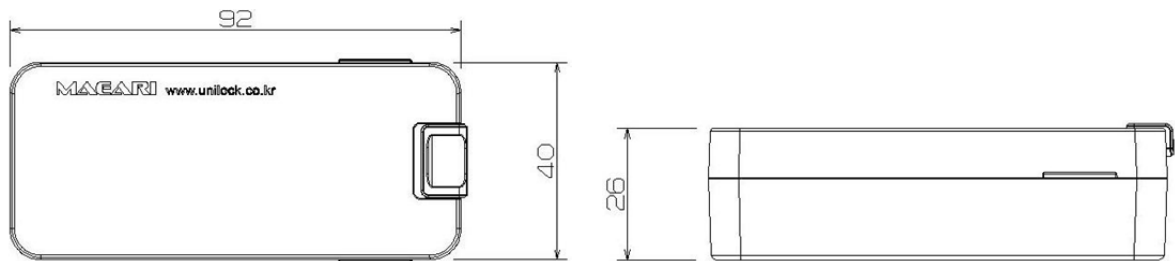
Sizes (mm)

RF Front

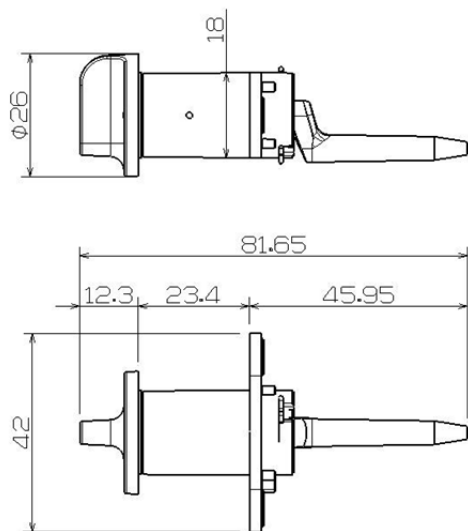


Punching Holes

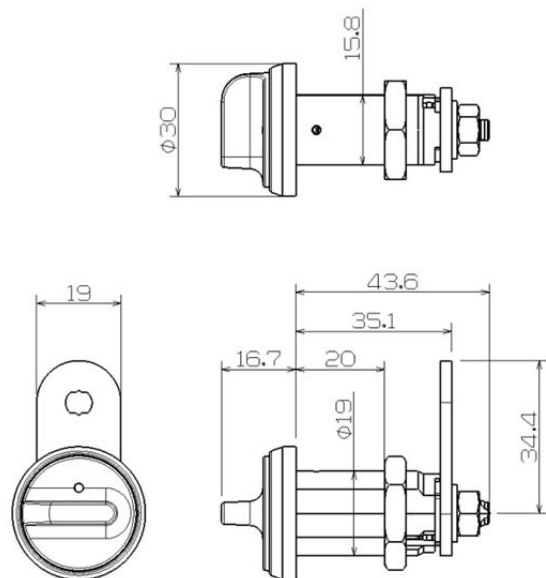
Battery Pack



Multi-Drawer Cylinder



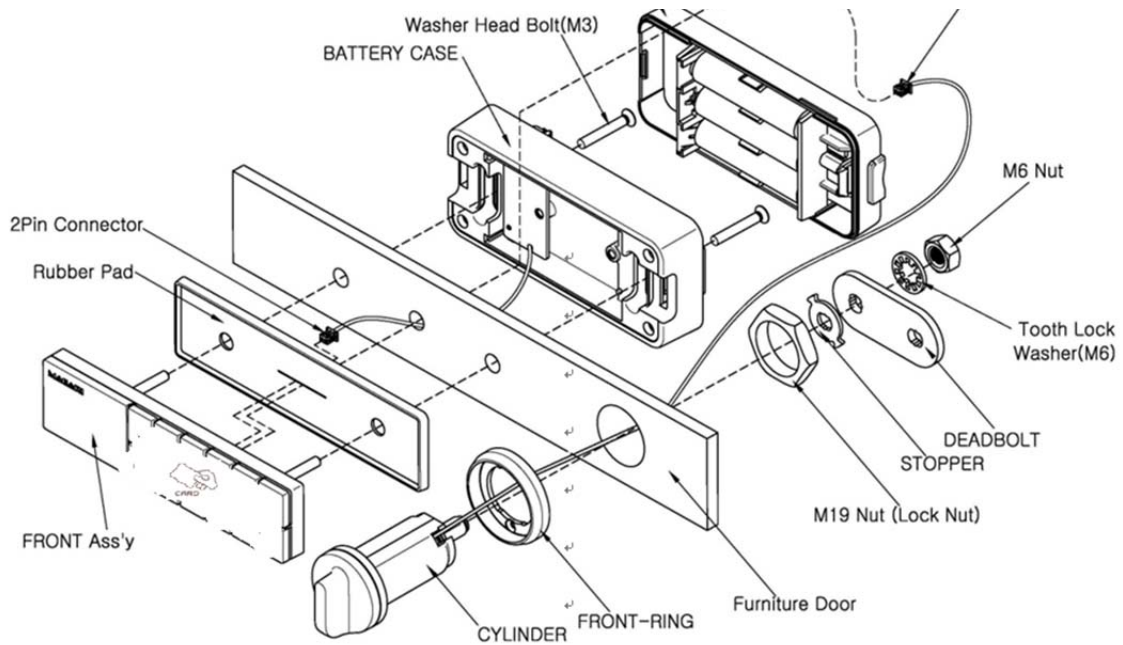
Cam Cylinder



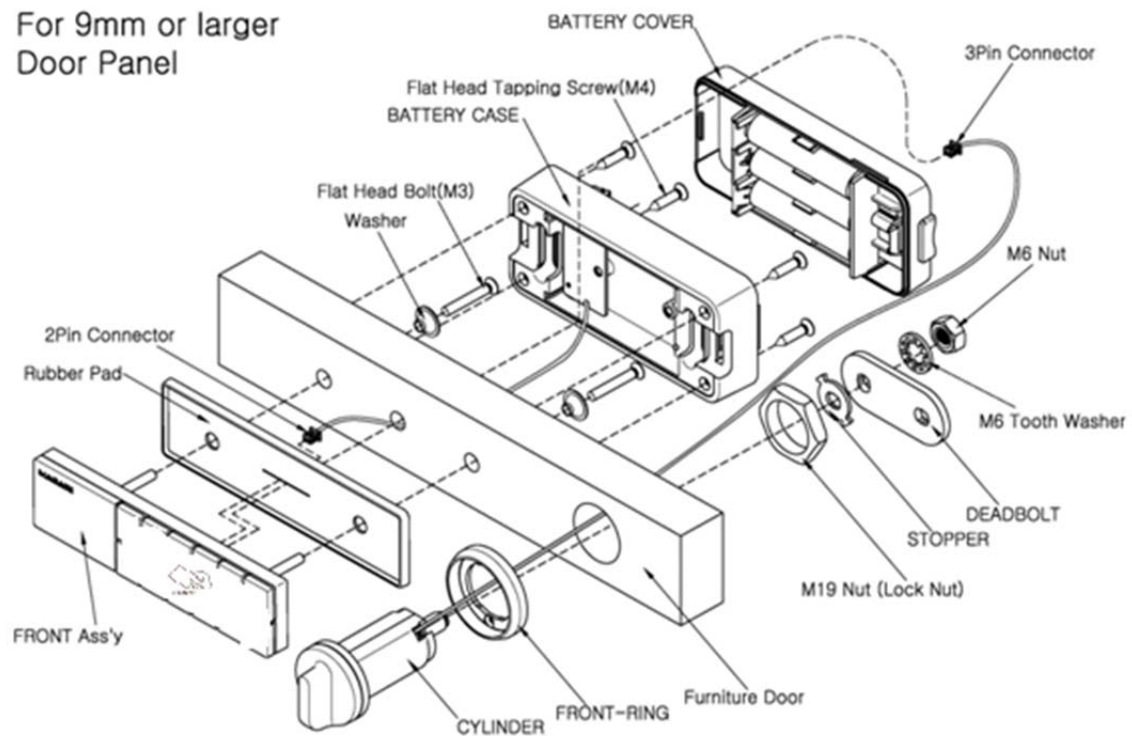
Install Drawings

ML32HRH (Cam lock + Battery Pack). For furniture door thickness 8 mm or less.

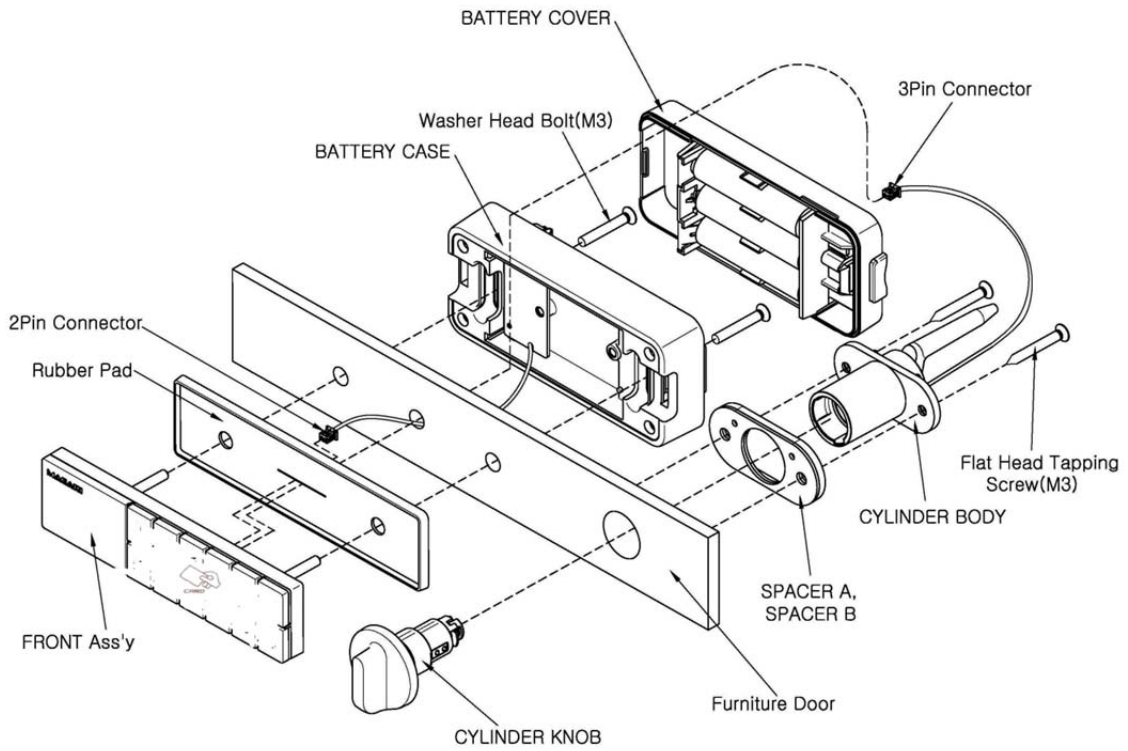
ML32HRH (Cam Lock + Battery Pack). For furniture door thickness 9 mm or larger.



For 9mm or larger Door Panel

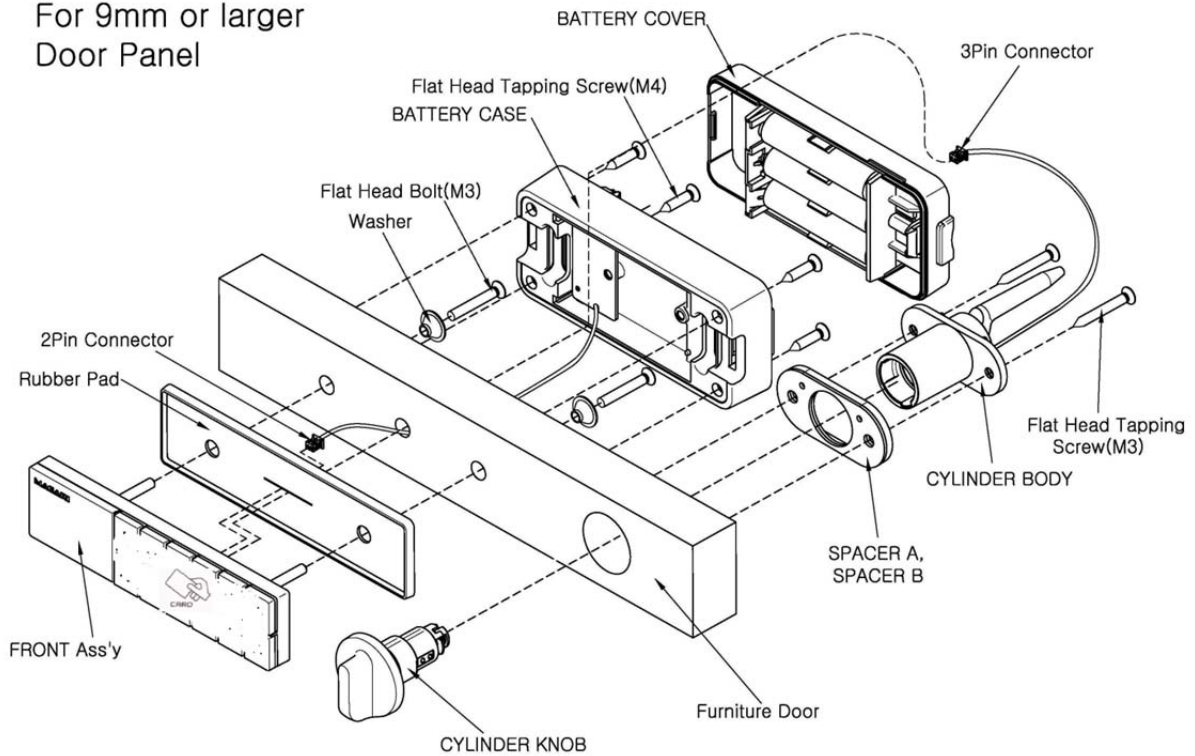


ML22HRH (Drawer Lock + Battery Pack). For furniture door thickness 8 mm or less.



ML22HRH (Drawer Lock + Battery Pack). For furniture door thickness 9 mm or larger.

For 9mm or larger
Door Panel

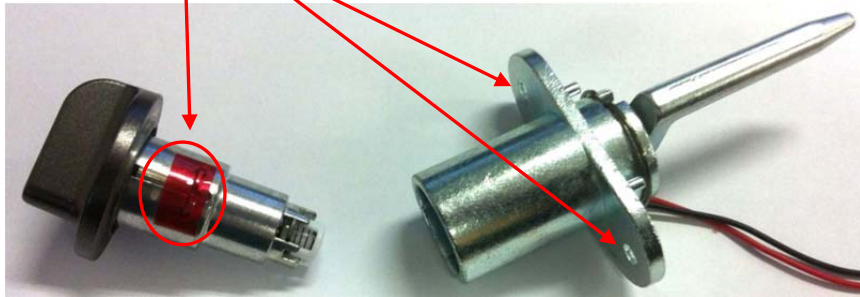


Precautions

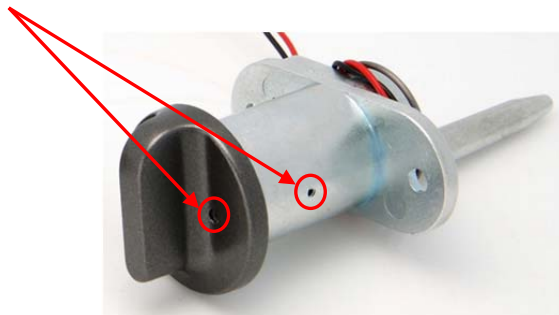
- Before using Maeari (for both of Cam lock and Drawer lock)
 - a. Connect battery wire first. (Battery Pack)
 - b. Connect cylinder wire.



- Before using Maeari multi- drawer lock.
 - a. Check the locking position of your desk drawer, up or down.
 - b. Install the cylinder into the drawer panel and confirm it works okay. (See page 5)
 - c. Check the locking position of the side locking bar of the drawer, up or down.
 - d. **Remove the RED tape on the cylinder knob if you sure it works okay.**
 - e. Assemble the cylinder knob and cylinder body securely.
 - * **Once you assemble the cylinder after remove the Red tape, there is no way to disassemble it. Be careful please!**
 - ** Need to use **spacers** between drawer and cylinder body if the thickness of the drawer panel is less than 23mm. Max thickness of the drawer front is 23mm.

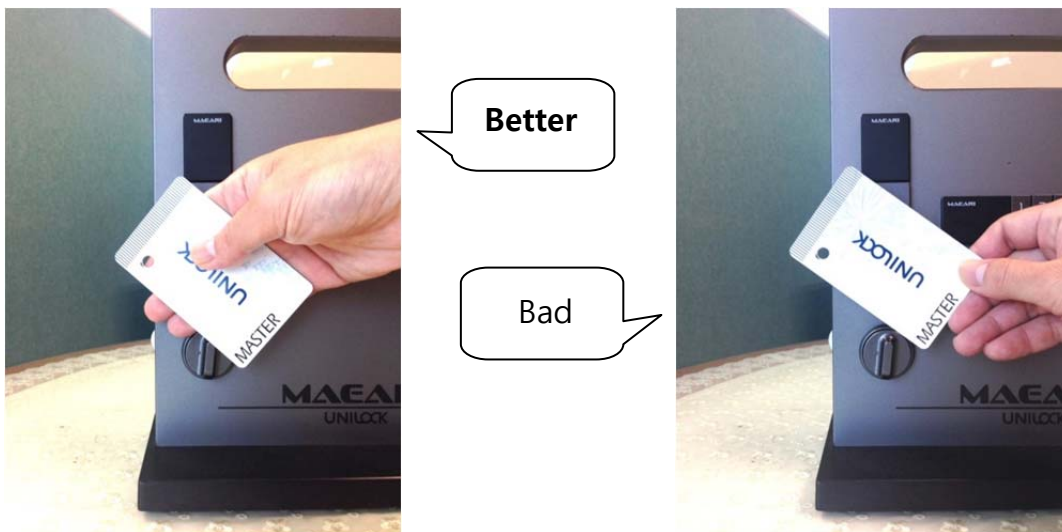


- Aligning 2 holes for proper installation of cylinder knob and cylinder body.

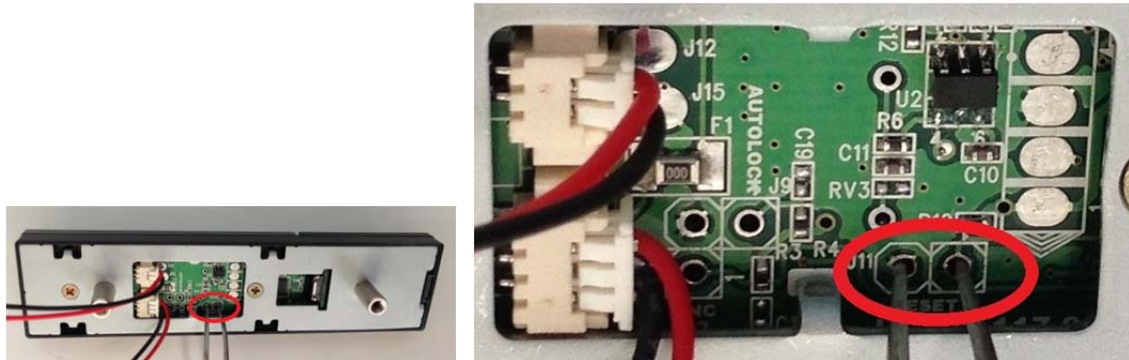


Instructions

- **RFID Type: 13.56 MHz, ISO-14443A Compatible**
 - **No RFID card is registered at the factory.**
- 1. Register a Master card**
 - Tap an RFID card for registering a Master card.
 - Melody “do-re-mi” and “green” LED blinks 5 times if registered.
 - 2. Register a User card**
 - Tap the Master card and tap an extra card within 8 seconds for registering a User card.
 - Melody “do-re-mi” and “green” LED blinks 5 times if registered.
 - 3. Change the Master card**
 - Tap the Master card and stay for 8 seconds.
 - After beep 3 times, tap an extra card for changing the Master card.
 - Melody “do-re-mi” and “green” LED blinks 5 times if changed.
 - 4. Melody On/Off**
 - Tap the Master card and stay for 4 seconds.
 - There will be 5 beeps and the melody toggled on and off.
- **For better detecting RF card on RF type Maeari - Touch with Hand!**
 - Maeari is getting into the **sleep mode** for saving battery life. **Touch the RF card with hand** just like left picture. Hand wakes up Maeari and detects RF card almost at the same time.



Reset Memory (Clear Memory)

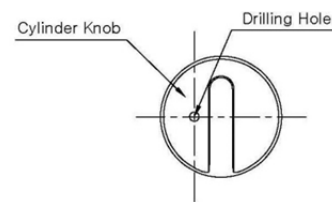


1. Coupling the “RESET” soldering points with a sharp tweezers or similar tool and tap any RF card for resetting.
 - Beep 1 time and green LED and red LED blinking if the reset is done.
2. Register a Master card and a User card again.

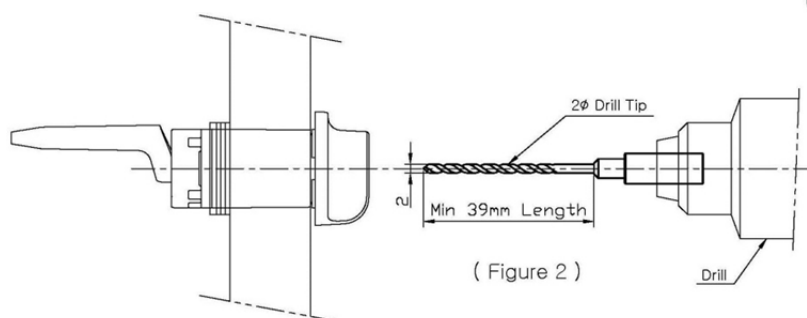
Emergency Opening

- There is an emergency “Break for Opening” if the lock does not work at all even tried to use Micro USB power. These processes are exactly same for both of Drawer Cylinder and Cam Cylinder

1. Drilling a hole at the point of Cylinder Knob at right angle by use of 2 ϕ drill tip for 5mm depth. (Figure 1 and 2)
(Customized drill tips are sold separately)

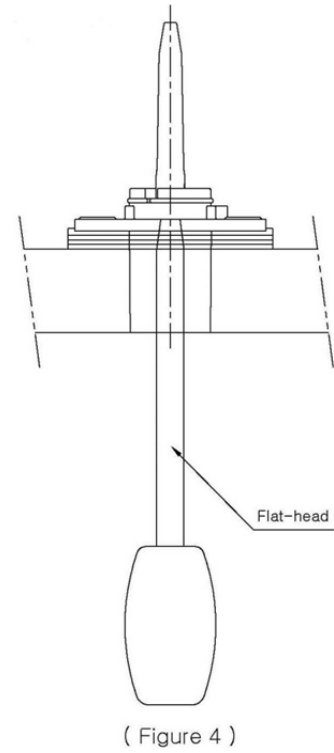
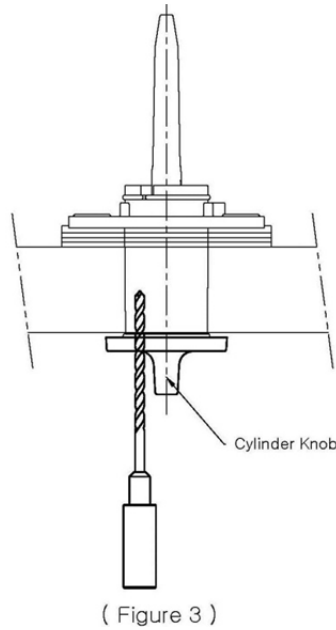


(Figure 1)



(Figure 2)

2. Push in the drill tip into the end of the hole.
Press the drill tip slightly and pull out the Cylinder Knob. (Figure 3)
3. Push in flat-head screwdriver into the back Cylinder and turn to opening direction.
(Figure 4)
4. Return the broken Knob part to Unilock or our dealer for replacing



FCC Information to User

This equipment has been tested and found to comply with the limits for a Class B digital device, pursuant to Part 15 of the FCC Rules. These limits are designed to provide reasonable protection against harmful interference in a residential installation. This equipment generates, uses and can radiate radio frequency energy and, if not installed and used in accordance with the instructions, may cause harmful interference to radio communications. However, there is no guarantee that interference will not occur in a particular installation. If this equipment does cause harmful interference to radio or television reception, which can be determined by turning the equipment off and on, the user is encouraged to try to correct the interference by one of the following measures:

- Reorient or relocate the receiving antenna.
- Increase the separation between the equipment and receiver.
- Connect the equipment into an outlet on a circuit different from that to which the receiver is connected.
- Consult the dealer or an experienced radio/TV technician for help.

Caution

Modifications not expressly approved by the party responsible for compliance could void the user's authority to operate the equipment.

FCC Compliance Information : This device complies with Part 15 of the FCC Rules. Operation is subject to the following two conditions: (1) This device may not cause harmful interference, and (2) this device must accept any interference received, including interference that may cause undesired operation

IMPORTANT NOTE:

FCC RF Radiation Exposure Statement:

This equipment complies with FCC RF radiation exposure limits set forth for an uncontrolled environment. This equipment should be installed and operated with a minimum distance of 20 centimeters between the radiator and your body. This transmitter must not be co-located or operating in conjunction with any other antenna or transmitter.

IMPORTANT Safety Instruction:

CAUTION

To reduce the risk of electric shock, do not remove the top cover (or the rear section).
No user serviceable parts inside, refer servicing to qualified personnel.



This symbol, wherever it appears, alerts you to the presence of uninsulated dangerous voltage inside the enclosure-voltage that may be sufficient to constitute a risk of shock.



This symbol, wherever it appears, alerts you to the important operating and maintenance instructions in the accompanying literature. Please read the manual.

- 1) Read these instructions.
- 2) Keep these instructions.
- 3) Heed all warnings.
- 4) Follow all instructions.
- 5) Do not use this equipment near water.
- 6) Do not using near any heat sources such as radiators, heat resisters, stove, or other equipment that produce heat.

CAUTION
RISK OF EXPLOSION IF BATTERY IS REPLACED
BY AN INCORRECT TYPE.
DISPOSE OF USED BATTERIES ACCORDING
TO THE INSTRUCTIONS

CONTACT INFORMATION

Manufacturer Address : 1409 Mega Bldg., SK n Techno Park, 190-1 Sangdaewon-dong,
Jungwon-gu, Seongnam, Gyeonggi-do, South Korea

To locate in-country Unilock Co., Ltd. distributors of the ML32HRH,
please refer to the Unilock Co., Ltd. Website <http://www.unilock.co.kr/>
These distributor(s) represent local contacts for this product.

CORPORATE HEADQUARTERS:

Unilock Co., Ltd.

1409 Mega Bldg., SK n Techno Park, 190-1 Sangdaewon-dong, Jungwon-
gu, Seongnam, Gyeonggi-do, South Korea

Tel: +82-31-776-3525

Fax: +82-31-776-3526

Web: <http://www.unilock.co.kr/>

EUROPEAN UNION “DECLARATION OF CONFORMITY”

DECLARATION OF CONFORMITY

Unilock Co., Ltd.

1409 Mega Bldg., SK n Techno Park, 190-1 Sangdaewon-dong, Jungwon-gu, Seongnam,
Gyeonggi-do, South Korea

declare under our sole responsibility that the product(s)

DIGITAL FURNITURE LOCK – ML32HRH

to which this declaration relate(s) is in conformance with the following standards:

EN 60950-1:2006/A11:2009/A1:2010/A12:2011/A2:2013

EN 301 489-1 V1.9.2:2011

EN 301 489-3 V1.6.1:2013

EN 300 330-1 V1.7.1:2010

EN 300 330-2 V1.5.1:2010

following the provisions of the 1999/5/EC Directives.

[END]