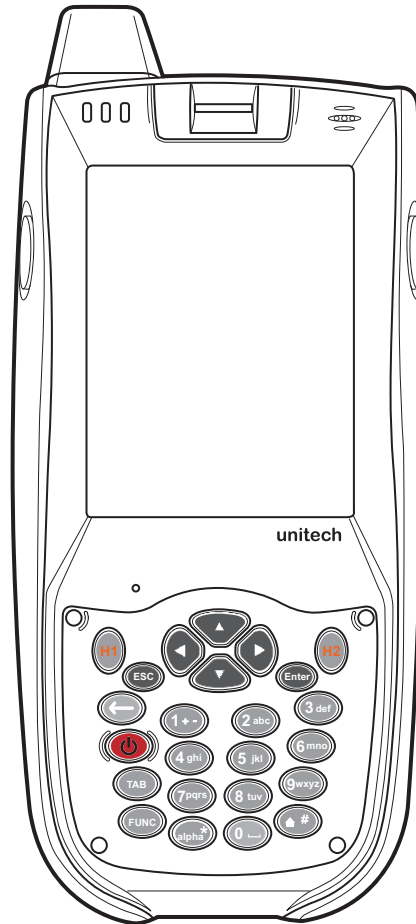


PA968 Rugged Mobile Computer



User's Manual

About This Manual

This manual explains how to install, operate and maintain the PA968 Rugged Mobile Computer.

No part of this publication may be reproduced or used in any form, or by any electrical or mechanical means, without permission in writing from the manufacturer. This includes electronic or mechanical means, such as photocopying, recording, or information storage and retrieval systems. The material in this manual is subject to change without notice.

© Copyright 2009 unitech Electronics Co., Ltd. All rights reserved.

unitech global website address: <http://www.unitech-adc.com>

Bluetooth is a registered trademark of Bluetooth SIG.



Microsoft, Windows and ActiveSync are either registered trademarks or trademarks of Microsoft Corporation. Other product names mentioned in this manual may be trademarks or registered trademarks of their respective companies and are hereby acknowledged.



unitech is a member of Oracle Embedded Software Licensing Program.

Regulatory Compliance Statements



FCC Warning Statement

This equipment has been tested and found to comply with the limits for a Class B digital device, pursuant to part 15 of the FCC rules. These limits are designed to provide reasonable protection against harmful interference in a residential installation.

This equipment generates, uses and can radiate radio frequency energy and, if not installed and used in accordance with the instructions, may cause harmful interference to radio communications. However, there is no guarantee that interference will not occur in a particular installation.

If this equipment does cause harmful interference to radio or television reception, which can be determined by turning the equipment off and on, the user is encouraged to try to correct the interference by one or more of the following measures:

- Reorient or relocate the receiving antenna.
- Increase the separation between the equipment and receiver.
- Connect the equipment into an outlet on a circuit different from that to which the receiver is connected.
- Consult the dealer or an experienced radio/TV technician for help.

1. This Transmitter must not be co-located or operating in conjunction with any other antenna or transmitter.
2. This equipment complies with FCC RF radiation exposure limits set forth for an uncontrolled environment. To maintain compliance with FCC RF exposure compliance requirements, avoid direct contact to the transmitting antenna during transmitting.
3. Any changes or modifications (including the antennas) made to this device that are not expressly approved by the manufacturer may void the user's authority to operate the equipment.

RF Radiation Exposure Statement:

For body worn operation, this phone has been tested and meets FCC RF exposure guidelines when used with an accessory that contains no metal and that positions the handset a minimum of 1.5 cm from the body. Use of other accessories may not ensure compliance with FCC RF exposure guidelines.

Canadian Compliance Statement

This Class B Digital apparatus meets all requirements of the Canadian Interference-Causing Equipment Regulations.

Cet appareil numérique de la classe B respecte les exigences du Règlement sur le matériel brouilleur du Canada.

European Conformity Statement

Declaration of Conformity with Regard to the R&TTE 1999/5/EC and EMC 89/336/ EEC directives.

Battery Notices

This unit is equipped with a battery pack and backup battery. Both batteries will discharge after an extended period of not being used. When both batteries are discharged, recharge the unit for 16 hours in order to fully charge the main battery and backup battery. If the main battery is removed, the backup battery ensures the data on SDRAM is safe for up to 8 hours. To prevent data loss, do not leave the mobile computer uncharged with the main battery removed for an extended period.

Battery Charge Notice

It is important to consider the environment temperature whenever you are charging the Lithium-Ion battery pack. The process is most efficient at normal room temperature or slightly cooler. It is essential that you charge batteries within the stated range of 10°C to 40°C. Charging batteries outside of the specified range could damage the batteries and shorten.

Storage and Safety Notice

Although charged Lithium-Ion batteries may be left unused for several months, their capacity may be depleted due to build up of internal resistance. If this happens they will require recharging prior to use. Lithium-Ion batteries may be stored at temperatures between -20°C to 60°C , however they may be depleted more rapidly at the high end of this range. It is recommended to store batteries within normal room temperature.

Table of Contents

Preface

About This Manual	i
Regulatory Compliance Statements	i
FCC Warning Statement	i
Canadian Compliance Statement	ii
European Conformity Statement	ii
Battery Notices	ii
Battery Charge Notice	ii
Storage and Safety Notice	iii

Chapter 1

Getting Started	1
Introducing the PA968	1
Features	2
Package Contents	3
A Tour of the PA968	4
Front View	4
Back View	5
Setting up the PA968	6
Installing the Battery	6
Charging the Battery	8
<i>Charging the battery with USB charging cable</i>	8
<i>Charging the battery with the cradle</i>	8
<i>Checking the LED status</i>	9
<i>Checking the Battery Status</i>	9
Connecting the terminal to a host (PC/ Notebook)	9
Turning the terminal on for the first time	10
Powering On	10
<i>Calibrating the screen</i>	10

Chapter 2

Using the Hardware	12
Using the SD/MMC Memory Card	12
Inserting a Storage Card	12
Removing a Storage Card	12
Using the SIM Card	13
Inserting the SIM card	13
Using the Camera	14
Using the Fingerprint Reader	14
Using the Barcode Laser Scanner	16

Chapter 3

Getting Connected	18
-------------------	----

Establishing Device-PC Connection	18
Installing Microsoft ActiveSync	18
Connecting the Device to Your Computer	19
Using ActiveSync to Exchange Files	20
Bluetooth Connection	21
GPRS Connection	24
WiFi Connection	26
Using the Summit Utilities.....	28
Admin Login.....	28
Scan Available AP	28
Commit and Activate	29
Chapter 4	
Barcode Scanner Programs	31
Scanner Setting	31
Scan2Key	31
Barcode Symbologies.....	32
Barcode Symbologies 2D	33
Chapter 5	
Advanced Settings	34
Performing a Hardware Reset	34
Performing a Warm Boot	34
Performing a Cold Boot	34
Method 1: From WinCE	35
Method 2: From Hardware.....	35
Appendix	
System Specification	36



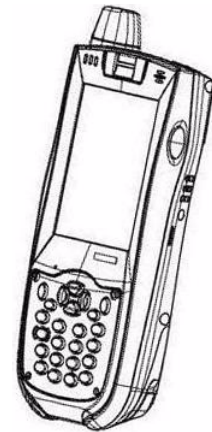
Getting Started

Introducing the PA968

Thank you for purchasing the PA968 Rugged Mobile Computer.

Your PA968 was designed for users who need a compact and durable mobile computer for data collection and real time transactions.

The PA968 is a rugged, compact and lightweight palm-size mobile computer using Windows CE 5.0 operating system, and incorporating an integral bar code scanning device, advanced fingerprint reader, high-resolution digital camera, color LCD with touchscreen, keypad, and wireless and GPRS communication capability. It provides users with a standard Windows-based environment for customizing and operating the device.



To reduce TCO, the PA968 is sealed to meet IP65 standards and has undergone multiple drop tests to prevent downtime.

Features

Powerful system

- Microsoft Windows CE 5.0 operating system
- Intel PXA270 processor with speed of up to 520 MHz

System memory

- 128 MB SDRAM
- 320 MB Flash ROM

Display

- 3.5" TFT LCD panel with touch-sensitive screen
- 240 x 320 resolution
- Supports display rotation
- Polycarbon LCD protection foil (Pre-installed)

Barcode scanner

- Built-in Symbol SE-950 Scan Engine

Communication

- USB 1.1 Client/ Host
- Bluetooth 2.0 EDR (supports Bluetooth Printer, Bluetooth Modem, Bluetooth ActiveSync)
- UMTS WCDMA/HSDPA 850/1900/2100MHz
- 3.5G Five bands GSM/GPRS 850/900/1800/1900Mhz, UMTS WCDMA/HSDPA 850/1900/2100Mhz, GPRS Edge
- Integrated WPAN/WLAN/WWAN
- Built-in GPS

Audio

- MIC
- Speaker
- Headset connector
- Receiver

Picture Capture

- Built-in 2.0M Pixel camera
- 1/4-inch CMOS sensor

Fingerprint Reader

- Resolution 500 DPI
- 256 gray scale
- Fingerprint image
- Live finger verification

Expansion slot

- SD memory slot, supports up to 2G

Wireless connectivity

- 802.11b/g
- Bluetooth
- GPRS

Battery life

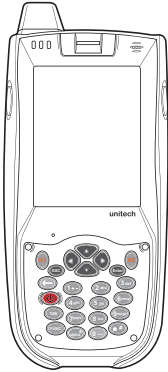

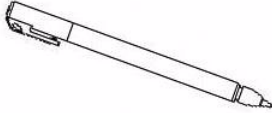
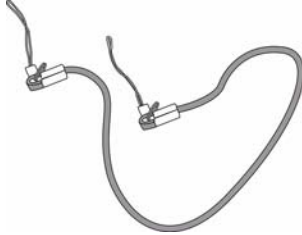

- Standby above 24 hours
- With BT, GPS, GPRS simultaneously on: above 4 hours
- Charging time: 4 hours
- Embedded backup battery cell

User-friendly interface

- Special keys to launch particular applications and display the on-screen keyboard
- Keys for barcode scanning

Package Contents

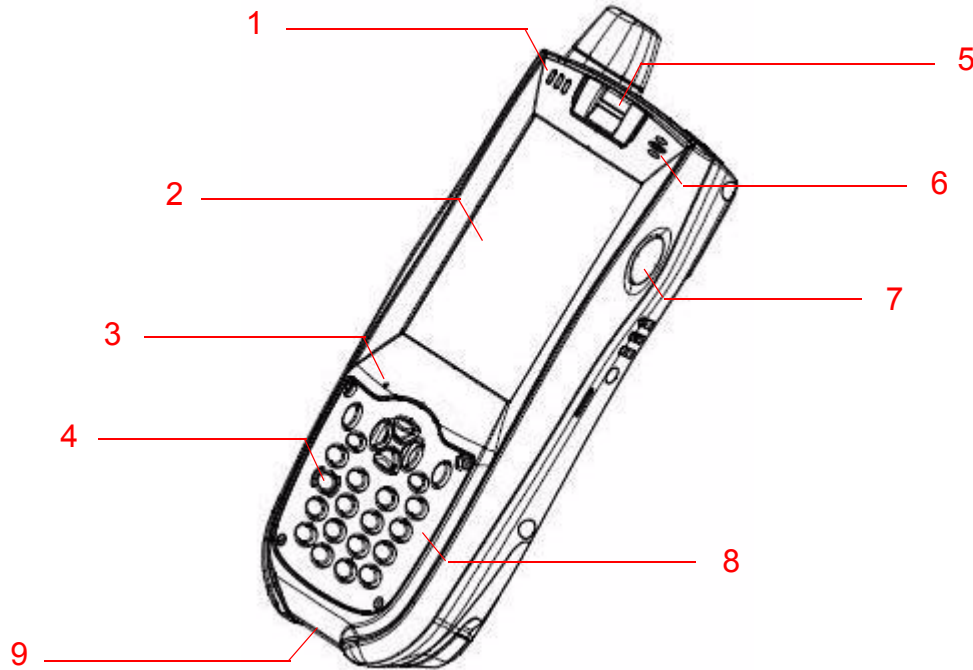
After opening the box, ensure the following accessories for the PA968 are present:

	
PA968	Battery Pack
	
Stylus	Elastic Stylus String
	
CD-ROM	

A Tour of the PA968

The following sections describe the main components and features of the PA968.

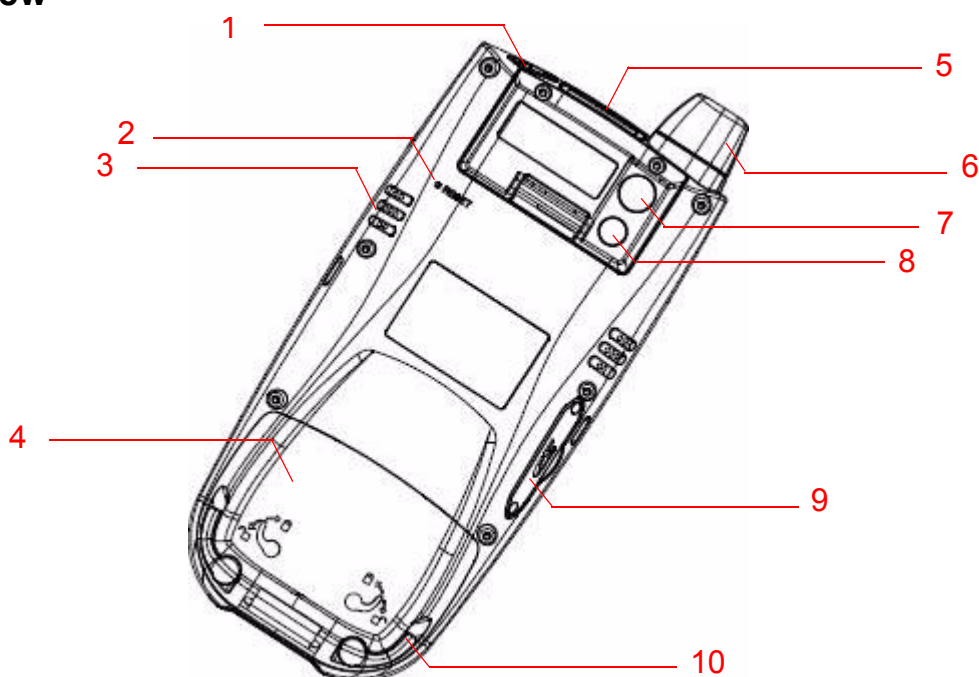
Front View



No.	Component	Description
1.	Status indicator	Indicates the terminal operating statuses. LED indicators from left to right: - GPRS/GPS Communication - Engine reading - Power charging
2.	LCD touch screen	Displays the applications and data stored on your device. It is touch-sensitive and responds to the stylus or finger.
3.	Microphone	Inputs audio into your device when recording the voice notes.
4.	Power button	If the device is off, press this button to turn it on. Alternatively, when the unit is on, this key must be pressed and held down for about three seconds in order to turn the device off.
5.	Fingerprint reader	Place the finger on the scanner for fingerprint reading.
6.	Receiver	Enables you to hear GSM voice from PA968.
7.	Scanner trigger button	Press to activate the barcode laser scanner.
8.	Keypad	Keypad interface for controlling the PA968.

9.	Universal connector	<p>Connects your device to a USB charging/communication cable. This USB cable connects to the computer's USB port and accepts the 12V AC adapter to provide power to the PA968.</p> <p>The unit can simultaneously recharge and perform an Activesync operation. You can also use it to connect peripheral hardware, such as a docking station, to your device.</p> <p>This port can also support USB/RS232 hosting for devices such as a USB/RS232 scanner, keyboard, or USB memory key.</p>
----	---------------------	---

Back View



No.	Component	Description
1.	Earphone jack	Port to plug in the headset connector. Use in noisy environments.
2.	Reset button	Press the end of the stylus into the button to reset your device.
3.	Speaker	Enables you to hear audio from PA968.
4.	Battery compartment	Houses the removable and rechargeable 7.4 V, 1850 mAh battery pack.
5.	Barcode scanner window	Scan barcodes where the laser pass through.
6.	Antenna	GSM antenna.
7.	Digital camera lens	Captures quality images.
8.	LED Flash light	Lights up images for camera.
9.	Memory card slot	Accommodates SD memory card.
10.	Battery compartment tab	Opens the battery compartment.

Setting up the PA968

This section explains how to install and charge the battery, how to check battery status, how to turn on the terminal, and how to calibrate the screen.

Installing the Battery

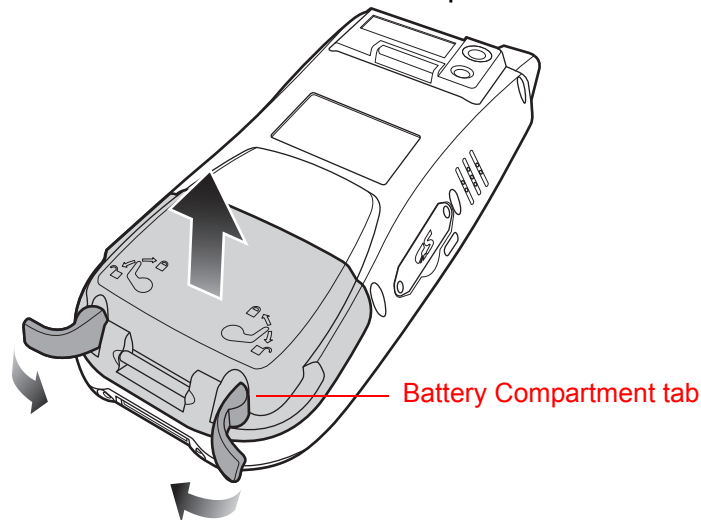
WARNING! There is a risk of fire and burns if the battery pack is handled improperly. DO NOT disassemble, crush, puncture, short external contacts, or dispose the battery pack in fire or water. DO NOT attempt to open or service the battery pack. Dispose of used batteries according to local recycling guidelines in your area.

A backup battery cell is embedded into your device to prevent data loss when the removable battery pack is removed or completely discharged. This backup battery will keep the data and system setting for up to 8 hour if the main battery is removed.

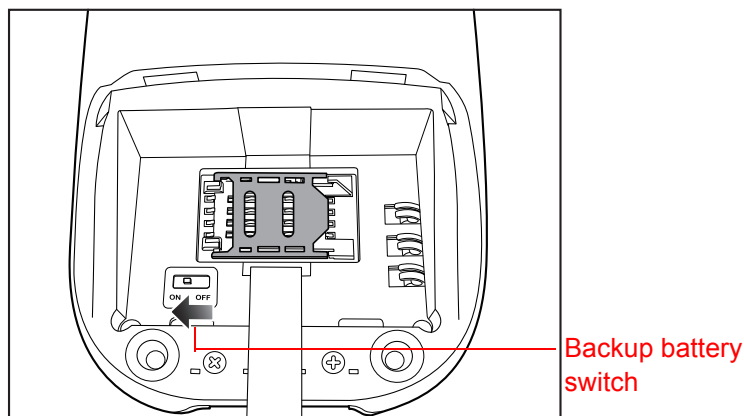
NOTE: To enable the internal battery cell to provide backup power supply, charge your device with the main battery pack for at least 16 hours.

NOTE: To power on the device properly, make sure replacing the battery compartment cover after installing the battery.

1. Open the battery compartment cover by sliding the tabs on both sides in the direction of the arrows shown and lift the cover up.

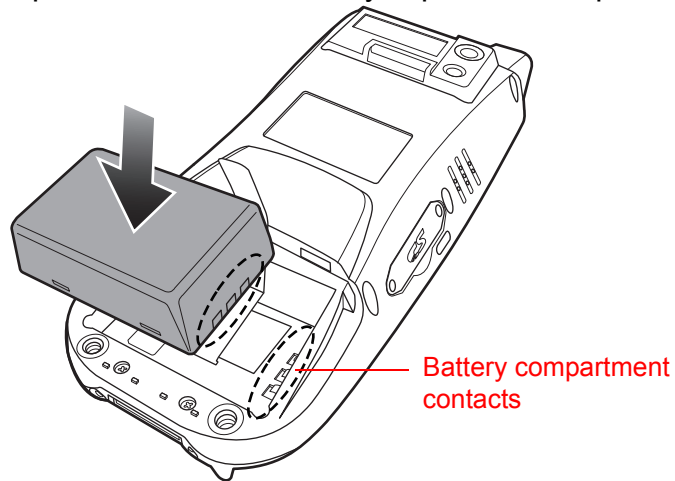


2. Turn the backup battery switch on.

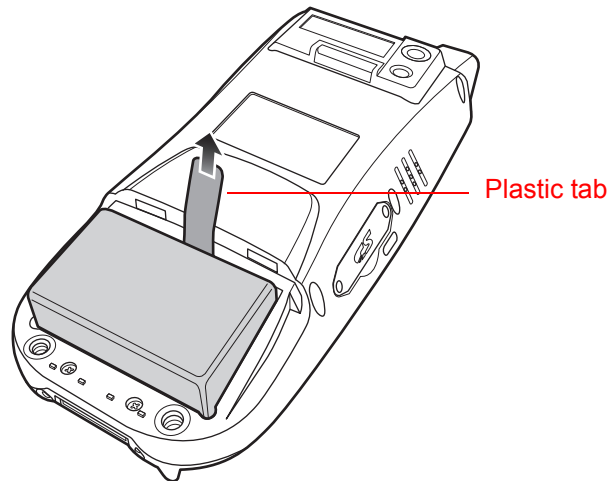


Chapter 1 Getting Started

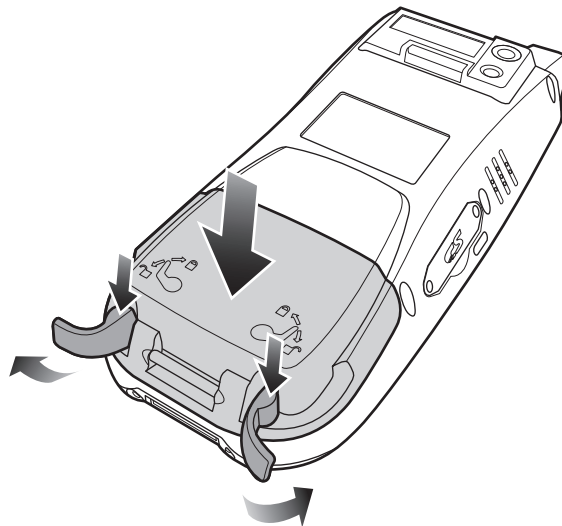
3. Position the battery pack, making sure the battery contacts are aligned with the contacts in the compartment and the battery is placed on top of the plastic tab.



4. Slide the battery pack while simultaneously pulling the plastic tab until the battery clicks into place.



5. Replace the battery compartment cover, push down the tabs and slide them back into place as shown.



NOTE: Make sure the battery compartment cover is securely closed, or you may be unable to turn the terminal on.

Charging the Battery

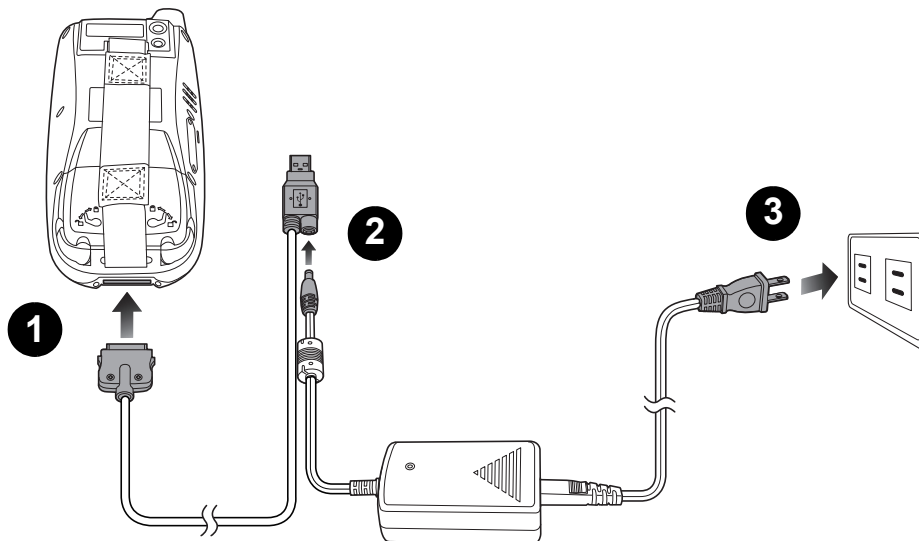
Before using the terminal for the first time, you need to charge it for about 16 hours. After that, you can charge the terminal for 4 hours to recharge the battery to full capacity. Charge the terminal using the USB charging cable or the docking station.

CAUTION! Operating the terminal for the first time without the AC adapter, and without fully charging the backup battery may result in loss of data stored in RAM memory. When the main battery is removed, the backup battery retains RAM data in memory for 8 hours. Please charge the battery for the period to avoid data loss in RAM memory.

NOTE: Turn the backup battery switch on before charging the battery. Data you entered may not be properly stored until the built-in backup battery has been fully charged.

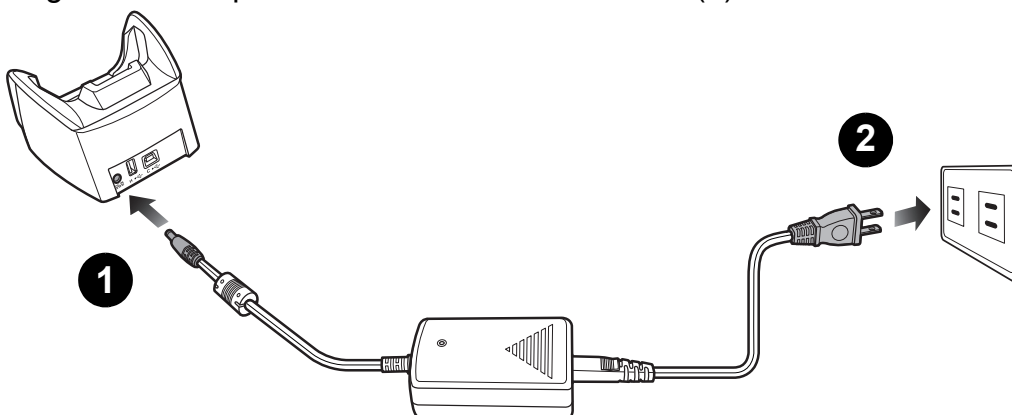
Charging the battery with USB charging cable

1. Press and hold the release button on both sides of the USB charging cable and connect it to PA968 (1).
2. Plug the AC adapter cable into the power jack of the USB charging cable (2).
3. Plug the AC adapter cord into an electrical outlet (3).

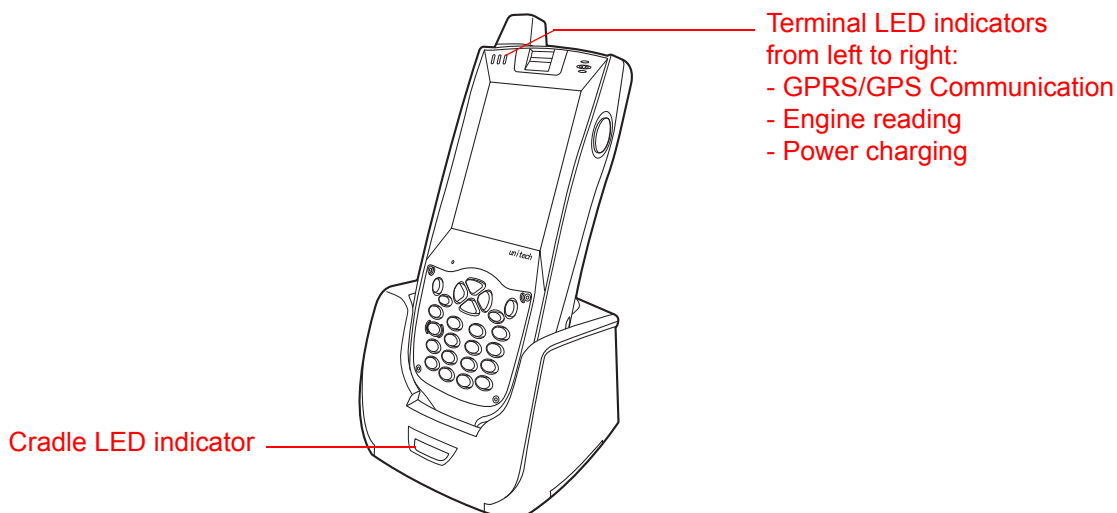


Charging the battery with the cradle

1. Plug the AC adapter cable into the power jack of the cradle (1).
2. Plug the AC adapter cord into an electrical outlet (2).



- Slide the terminal into the cradle until it clicks into place.



- The connection is secure when the bottom edge of the terminal is aligned with the cradle, and the LED indicator on the terminal lights up red.

Checking the LED status

	LED	Light	Description
Terminal	GPRS/GPS Communication	Flashing Red	GPRS/GPS power is on
		Flashing Green	Communicating
	Engine reading	Solid Red	Reading
		Solid Green	Decoded
	Power charging	Solid Red	Charging
		Solid Green	Fully charged
Cradle	Power charging	Solid Green	Power is on
	Communication	Flashing Green	Data synchronization is active

Checking the Battery Status

If the battery level becomes low in the course of normal use, a status icon appears on the device screen indicating low or very low battery status. In both cases, perform an Activesync operation to back up your data, then recharge your device as soon as possible.

CAUTION! Once the device is shut down, you should recharge the device within 48 hours. Otherwise you will lose all data including files stored in the RAM memory.

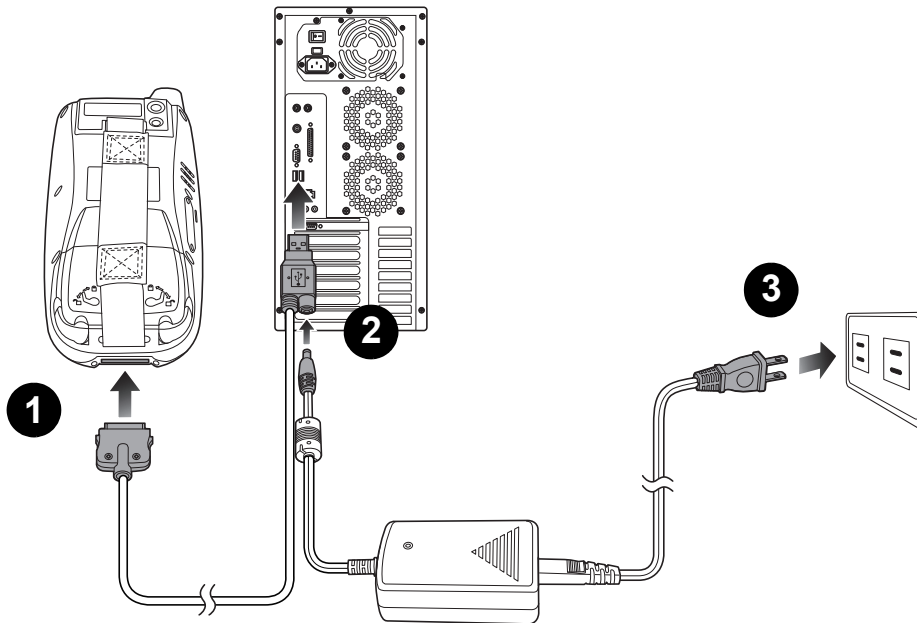
Connecting the terminal to a host (PC/ Notebook)

Use the USB charging cable to connect the PA968 to a PC/ Notebook in order to use with Activesync.

NOTE: To avoid low battery situation while synchronizing, you should connect the power supply.

- Press and hold the release button on both sides of the USB charging cable and connect it to PA968 (1).

2. Connect the USB charging cable to the USB port on a PC/ Notebook and plug the AC adapter cable into the power jack of the USB charging cable (2).
3. Plug the AC adapter cord into an electrical outlet (3).



Turning the terminal on for the first time

After you have initially charged your device for about 16 hours, the terminal is ready to be used. You can now start up your device where you will calibrate the display, learn some basic stylus usage, and set up the system time zone, date and time.

Powering On

1. Turn on your device by pressing the power button on the front panel.

NOTE: The PA968 screen ships with a protective plastic film. You may remove it by peeling from the corner. The screen will be more susceptible to scratching without the film, but will be more readable.

2. The Welcome screen appears for a moment followed by the WINCE screen.

Calibrating the screen

The calibrate screen automatically appears when the terminal is powered on for the first time or after the system is reset.

To calibrate the screen at any time, follow these instructions.

1. Tap **Start** → **Settings**, and then switch to **Control Panel** tab.
2. Tap the **Stylus** icon.
The Stylus Properties window appears.



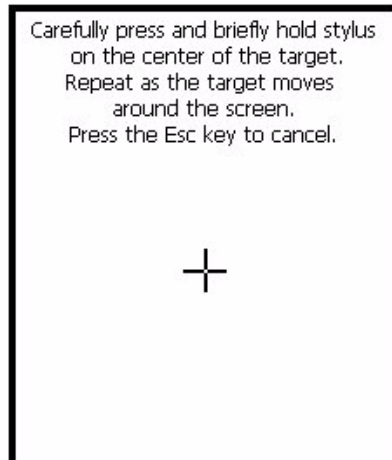
Chapter 1 Getting Started

3. Tap **Recalibrate** to calibrate the screen.
The alignment screen appears.

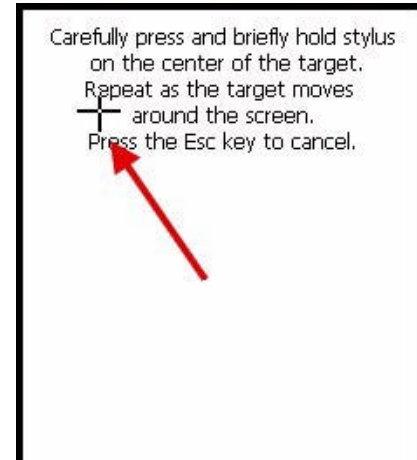
NOTE: Or press Func key and ESC key simultaneously to bring up the alignment screen.



4. Tap the cross hair firmly and accurately.

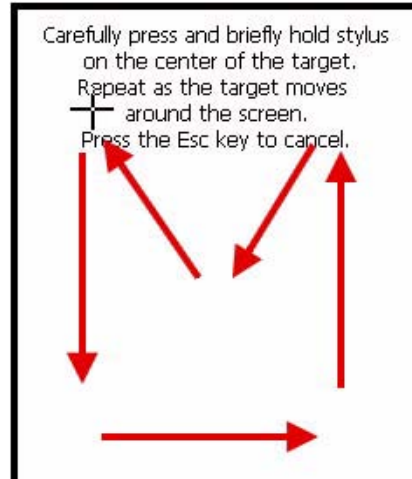


A



B

5. Continue tapping the cross hair until the screen has been calibrated.



6. Press Enter key to accept the new settings.
Press Esc key to keep the old settings.

New calibration settings have been measured.
Press the Enter key to accept the new settings.
Press the Esc key to keep the old settings.

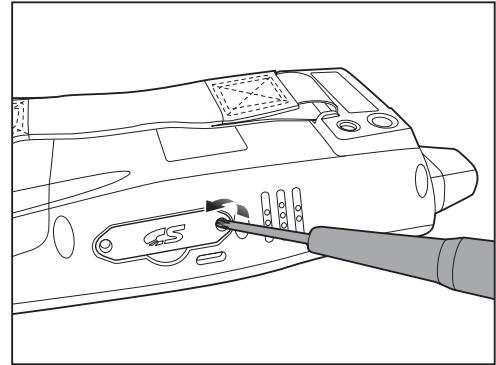
Using the Hardware

Using the SD/MMC Memory Card

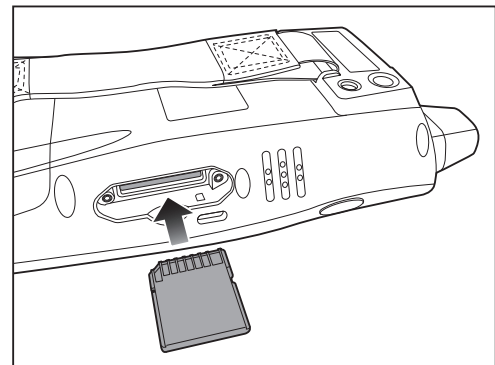
PA968 has an expansion slot compatible with a range of SD and MMC storage cards, which are primarily used to backup or transfer files and data. The slot also support SDIO cards for added connectivity options.

Inserting a Storage Card

1. Remove the two screws from the SD compartment cover and remove the cover.



2. Insert the SD card with the notched corner as shown.



3. Push the card into the slot until you feel the SD card click into place.
4. Screw the SD compartment cover.

Removing a Storage Card

1. Remove the two screws from the SD compartment cover and remove the cover.
2. Press the card in and release. The card pops out.
3. Remove the card from the slot.

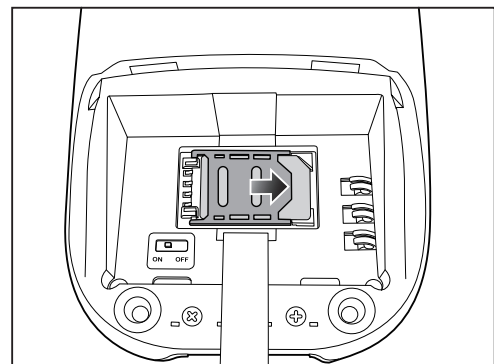
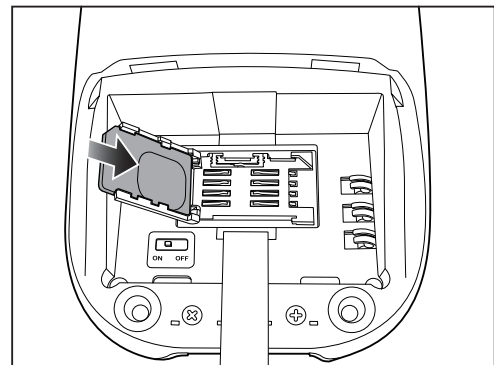
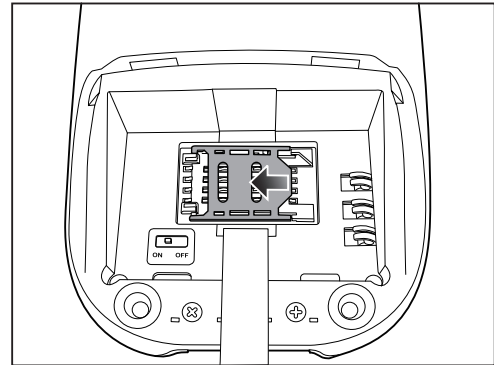
Using the SIM Card

The PA968 has a slot for GPRS SIM card inside the battery compartment.

CAUTION! Before installing the SIM card, please backup your data to prevent data loss because of a low backup battery.

Inserting the SIM card

1. Remove the battery compartment cover and the main battery. See *Installing the Battery* on page 6.
2. Slide the cover of the SIM card slot to the left to release the latch.
3. Lift the cover and insert the SIM card into the cover with notched corner up, contacts down as shown.
4. Put down the cover on the slot, then slide the cover to the right to lock the SIM card.
5. Put the battery back into the battery compartment and replace the battery compartment cover.

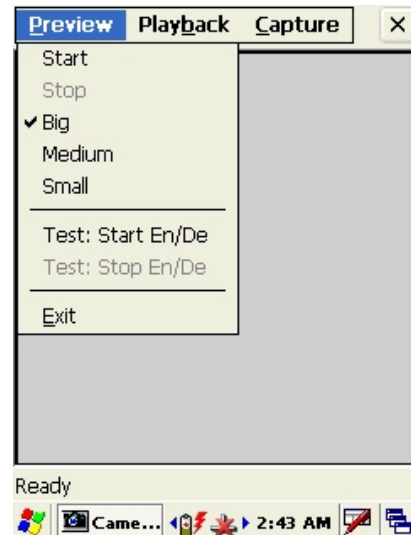


Using the Camera

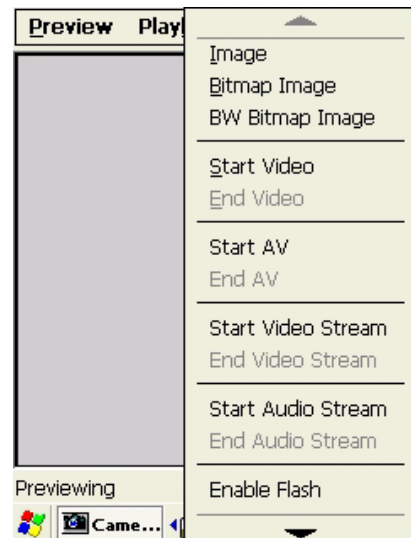
The device has a powerful 2.0-megapixel digital camera to deliver superior image capture performance.

To launch the demo program, follow these instructions.

1. Tap **Start** → **Program** → **Utilities** → **CameraDemo**.
2. Tap **Preview** → **Start** to activate the camera.



3. Tap **Capture** → **Image** to capture an image.



4. Tap **Capture** → **Start Video** to start recording a video.
Tap **Capture** → **End Video** to end the recording.

Using the Fingerprint Reader

PA968 equips a fingerprint reader using advanced biometric finger identification technology.

To launch the demo program, follow these instructions.

1. Tap **Start** → **Program** → **Utilities** → **FingerDemo**.

Chapter 2 Using the Hardware

2. Tap **Snap** to test the fingerprint reader. “Please sweep your finger!” message pops up. Gently sweep the finger inwards on the reader.



3. Tap **Enroll** to enroll a fingerprint. “Please sweep your finger!” message pops up.



4. Gently sweep the finger inwards on the reader five times following on-screen instructions until a pop-up window appears informing you the reading quality. Click OK.

NOTE: Class A represents a high quality of the enrolled fingerprint data, while Class C a low quality.



5. Tap **Match** to carry out identification. “Please sweep your finger!” message pops up.

Gently sweep the finger inwards on the reader following on-screen instructions until a message pops up saying “Matching Success!” or “Matching Fail!”.



Using the Barcode Laser Scanner

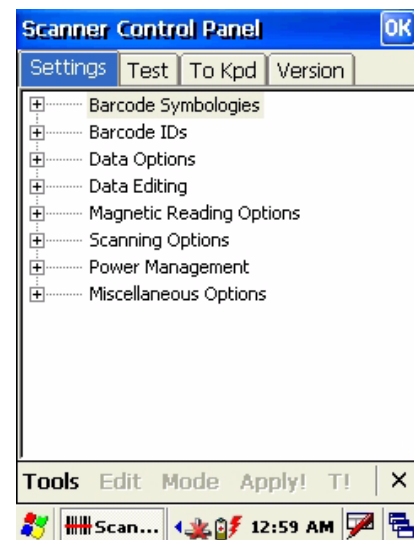
PA968 has an integrated laser scanner which reads all major barcode labels with excellent performance.

NOTE: The reading software must be enabled in order to operate the scanner. This can be a user-loaded application or a pre-loaded utility such as Scanner Settings and Scan2Key.

To launch the Scanner Control Panel, follow these instructions.

1. Tap **Start** → **Settings**, and then switch to **Control Panel** tab.
2. Tap the **Scanner** icon.
The Scanner Control Panel appears.

NOTE: Or press Func key and “7” button simultaneously to bring up the Scanner Control Panel screen.



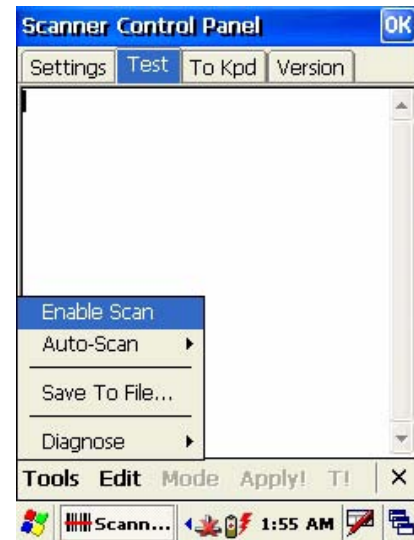
In the Scanner Control Panel screen, you can configure barcode scanner parameters such as enabling or disabling barcode symbologies, setting data transmission options, configuring magnetic and proximity reading options, and setting power management options. See *Barcode Symbologies* on page 32.

To test the barcode laser scanner, follow these instructions.

1. Tap the **Test** tab to activate the demo program.

Chapter 2 Using the Hardware

2. Tap Tools → Enable Scan.
Or tap Tools → Auto-Scan → Start Auto-Scan.
Define the scan interval. Tap Start.

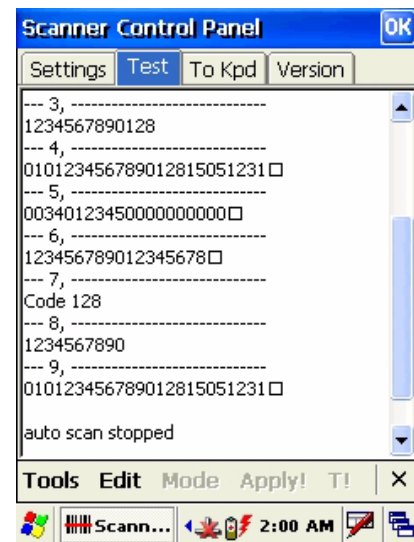


3. Aim the laser scanner at the selected barcode, and press either one of the scanner trigger buttons on the device.

If you enable Auto-Scan, you don't have to press any button. Aim the laser scanner at the selected barcode while the laser emits light at regular intervals.

The scanned barcode data appears on the screen.

4. Tap Tools → Auto-Scan → Stop Auto-Scan.



Getting Connected

The PA968 enables users to link to a host computer using an RS-232, or Bluetooth, WiFi, and GPRS connection for data communication. This chapter provides an overview of PA968 communication options.

Establishing Device-PC Connection

Installing Microsoft ActiveSync

In order to exchange data between your computer and the PA968, Microsoft ActiveSync must be installed on your computer. Use the USB/RS232 charging cable that comes with your device or the docking station to connect the device to your computer.

NOTE: If you have a previous version of the Microsoft ActiveSync installed in your computer, uninstall it first before installing the latest version of Microsoft ActiveSync.

To install Microsoft ActiveSync on your computer:

1. Close any open programs, including those that run at startup, and disable any virus-scanning software.
2. Download the ActiveSync software from the Microsoft ActiveSync Download page at <http://www.microsoft.com/downloads/details.aspx?FamilyID=7269173a-28bf-4cac-a682-58d3233efb4c&DisplayLang=en>.
3. Browse to the location of the downloaded file, and double-click it. The installation wizard begins.
4. Follow the instructions on the screen to install Microsoft ActiveSync.

Connecting the Device to Your Computer

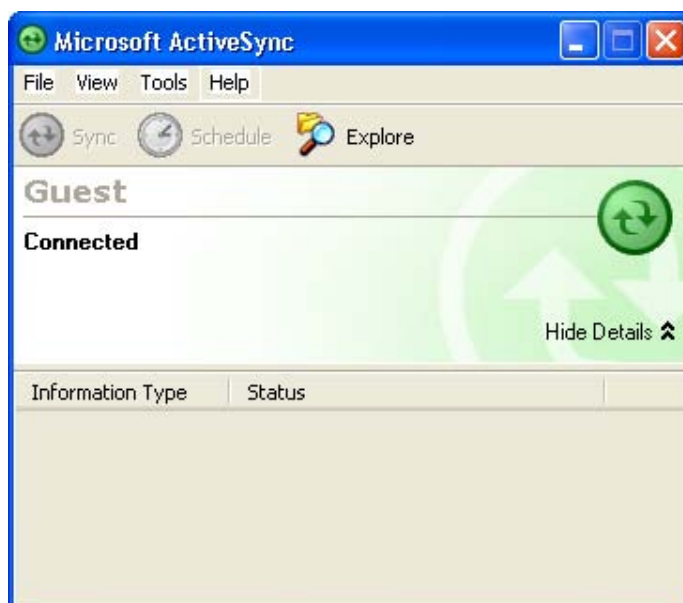
1. After ActiveSync has been installed, connect PA968 to your PC as described in *Connecting the terminal to a host (PC/Notebook) to a PC* on page 10.
2. Turn the PA968 on.
3. ActiveSync starts automatically and configure the USB port to work with the PA968. The New Partnership setup wizard automatically starts.



NOTE: If ActiveSync doesn't start automatically, click **Start** → **Programs** → **Microsoft ActiveSync**.

NOTE: If a message appears indicating that it is unable to detect a connection, click the Cancel button and manually configure the communication settings.

4. Follow the on-screen instructions.
5. When the configuration process is complete, the ActiveSync window appears.



6. Synchronization will be initialized and will take place if you've chosen to synchronize periodically or upon connection.

NOTE: Your computer can create a partnership with multiple PA968s. Also, a PA968 can create a partnership with up to two computers.

Using ActiveSync to Exchange Files

You can use ActiveSync to exchange information from your device your computer and vice versa. Changes you make to the information on one location will not affect the information on the other one. If you want to automatically update information on both your device and computer, synchronize the information instead.

You can copy two types of information to your device: files and Pocket Access Windows CE Store information.

The following procedure only applies to copying files. Refer to the ActiveSync Help on your computer for instructions on how to copy Pocket Access Windows CE Store information.

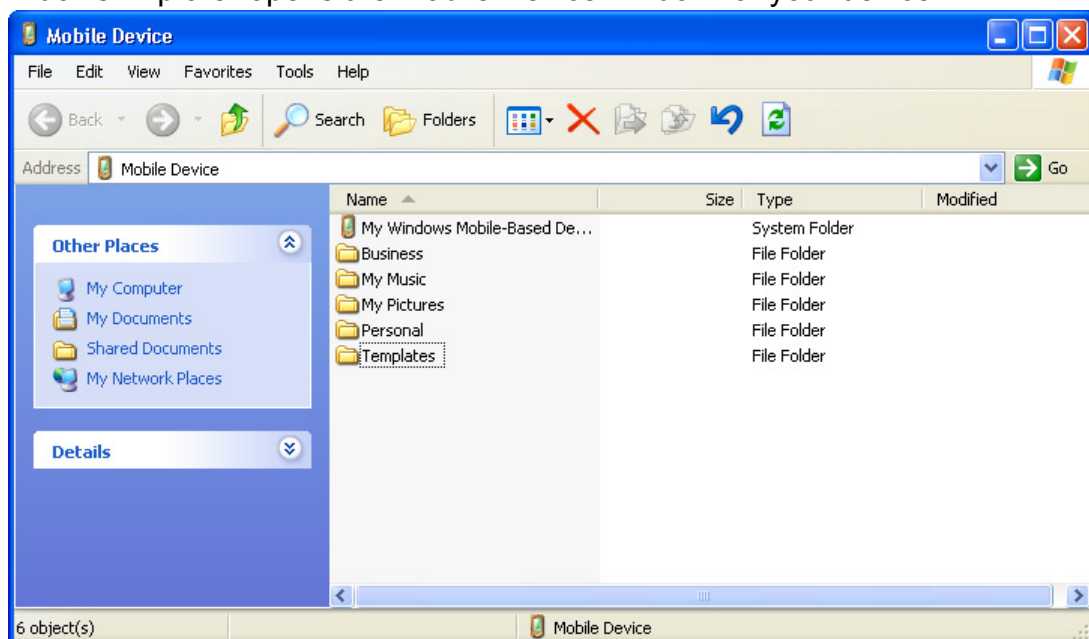
NOTE: Files created on your computer may need to be converted by ActiveSync so that they can be viewed and edited on your device, and vice versa.

To copy files:

1. Connect your device to your computer.
2. In ActiveSync on your computer, click Explore.



Windows Explorer opens the Mobile Device window for your device.



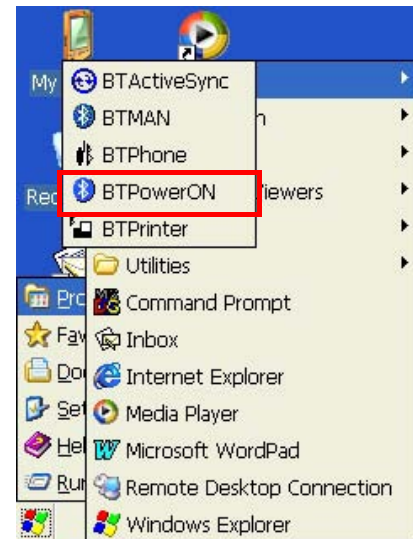
3. Locate the file that you want to copy on your device or computer.
4. Do either one of the following:
 - To copy the file to your device, right-click the file and click **Copy**. Place the cursor in the desired folder for your device, right-click, then click **Paste**.
 - To copy the file to your computer, right-click the file and click **Copy**. Place the cursor in the desired folder for your computer, right click, then click **Paste**.

Bluetooth Connection

Your device is equipped with Bluetooth wireless technology that you can use to synchronize information with a computer equipped with a Bluetooth adapter or access point. Bluetooth wireless technology allows you to communicate with the computer whenever it is within range.

Follow these instructions to set up a Bluetooth connection.

1. Tap **Start** → **Programs** → **Bluetooth** → **BTPowerON**.



2. Check **Bluetooth Module Power on**. Tap OK.



3. Tap **Start** → **Settings** → **Control Panel** → **Bluetooth Device Properties**.



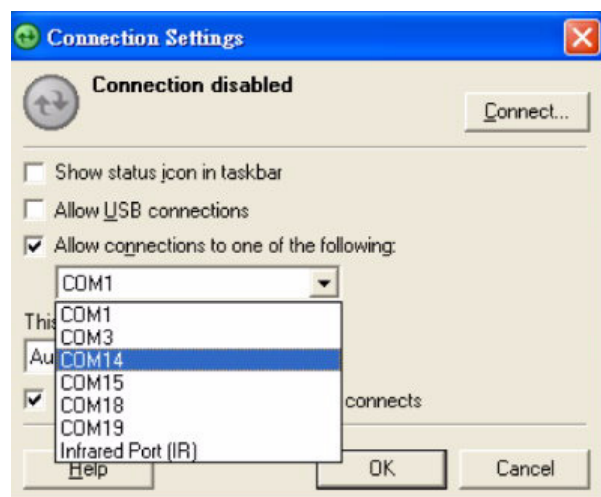
4. Tap **Scan Device**. Select a device you want to connect.

Double tap the desired device and check **Trusted** and then **Active**.



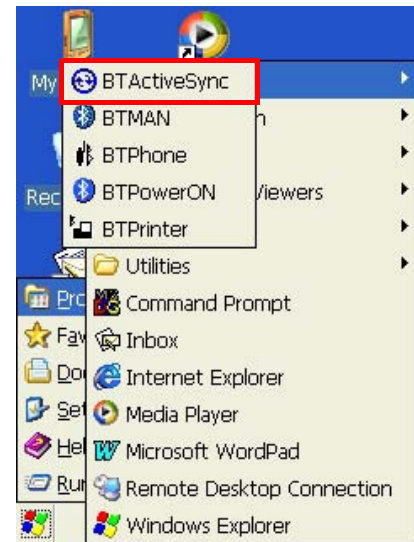
5. On your computer, click **Active-Sync** → **Connection Settings**.

Select your BT COM port and click **OK**.



Chapter 3 Getting Connected

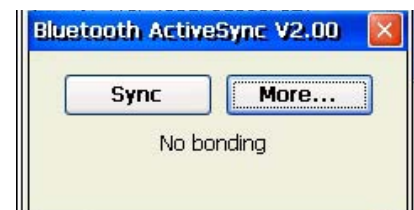
6. On your terminal, tap **Start** → **Programs** → **Bluetooth** → **BTActiveSync**.



7. The BTActiveSync icon appears on the taskbar. Double tap the icon.



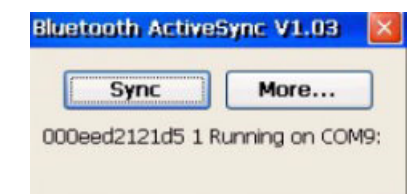
8. Tap **More**.



9. Tap **Inquiry**. Select a device you want to synchronize. Tap **OK**.



10. Tap BTActiveSync icon again. Tap **Sync**. ActiveSync begins.



GPRS Connection

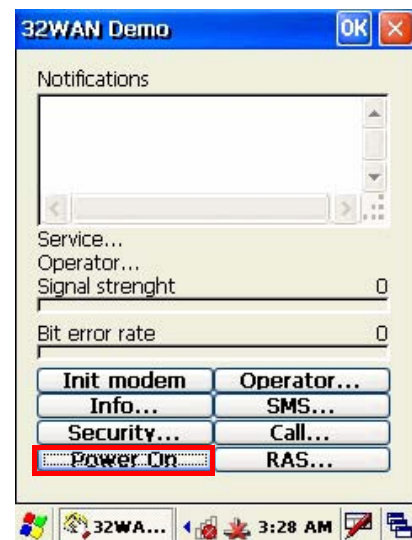
Insert the SIM card in your terminal first. See *Using the SIM Card* on page 13.

NOTE: Please turn off the SIM card lock if your SIM card is password protected.

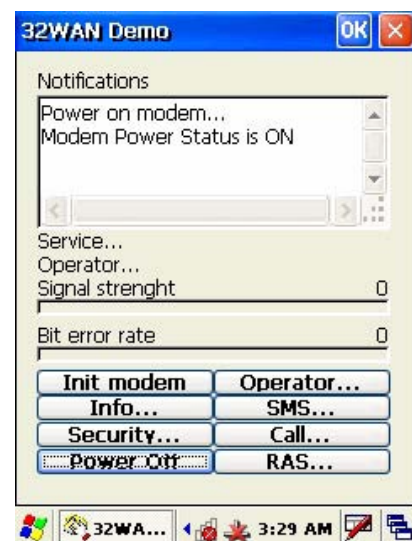
1. Tap **Start** → **Programs** → **GPRS** → **32WANDEMO**.



2. Tap **Power on**.

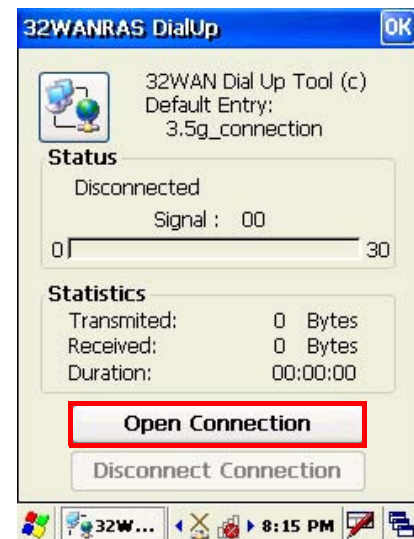


3. The screen displays “Modem Power Status is ON”. Tap **OK**.

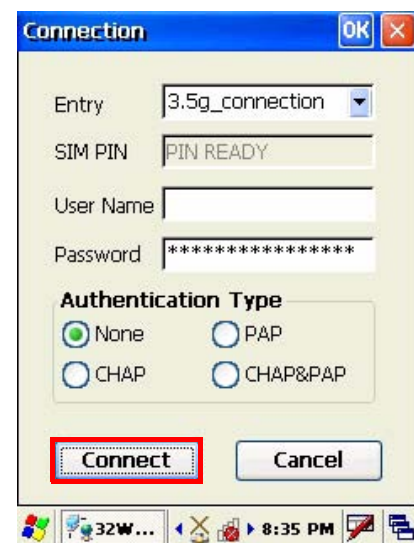


4. Tap **Start** → **Programs** → **GPRS** → **32WANRAS**.

The 32WANRAS DialUp window appears. Tap **Open Connection**.

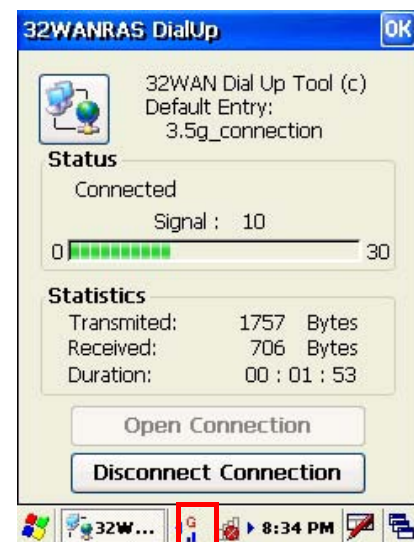


5. The Connection window appears. Tap **Connect**.



6. The GPRS icon on the taskbar indicating the signal strength.

Tap **Disconnect Connection**, you can end the GPRS connection.



WiFi Connection

Unitech terminals come with built-in RF facility. A wireless network can be added either when the network is detected or by manually entering settings information. Before following these instructions, make sure if authentication information is needed.

1. Tap **Start** → **Programs** → **Summit** → **scu**.
The Summit Client Utility window appears.



2. Select **Third Party Config** from the drop down menu of Active Profile.



3. A pop-up window appears “A Power Cycle is required to make settings activate properly.” Tap **OK**, and then tap **OK** to exit the Summit Client Utility.



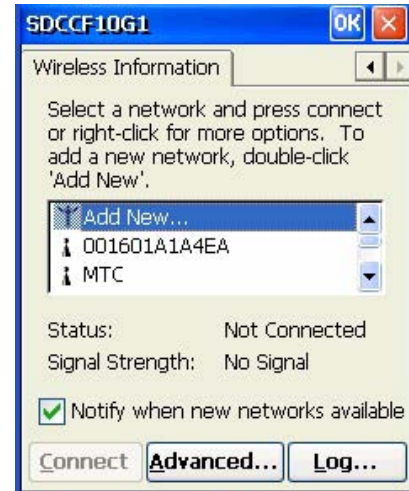
Chapter 3 Getting Connected

4. Tap **Start** → **Programs** → **Utilities** → **Boot-Mode**. Tap **Warm Boot** to warm start the terminal and load the previous settings.

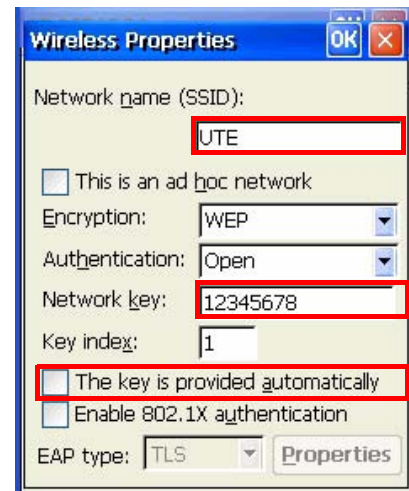


5. The RF setting window pops up once the RF signal is detected.

Tap **Add New** or double tap a preferred network.



6. Enter the Network name (SSID). Uncheck **The key is provided automatically**. Enter the network key. Tap **OK**.



7. The network icon appears on the taskbar when the RF is connected.



Using the Summit Utilities

You can use the Summit Client Utility tool to setup or change the WiFi settings.

Admin Login

1. To login as an administrator, tap **Admin Login**.



2. Enter the Admin Password. (Default password: SUMMIT)



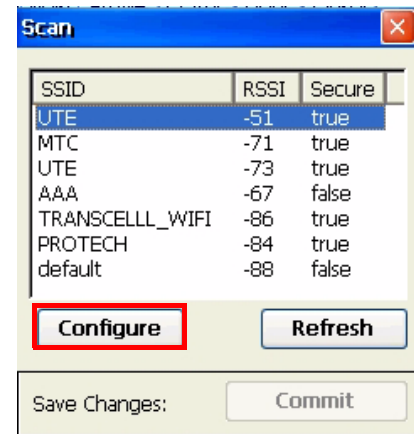
Scan Available AP

1. Under **Profile** tab, tap **Scan** for available AP.



Chapter 3 Getting Connected

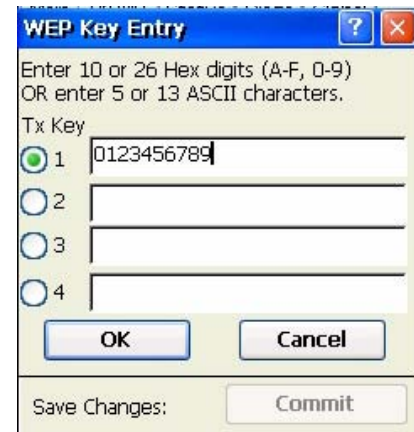
2. You may select a desired AP to create a new profile. Tap **Configure**.



3. Tap **Yes** to create the new profile.



4. Enter the WEP key or network key. Tap **OK**.



Commit and Activate

1. Tap **Commit** to activate the setting.



- Under **Main** tab, select the profile you want to activate.



- A pop-up window appears “A Power Cycle is required to make settings activate properly.” Tap **OK**, and then tap **OK** to exit the Summit Client Utility.
- Tap **Start** → **Programs** → **Utilities** → **Boot-Mode**. Tap **Warm Boot** to warm start the terminal and load the previous settings.
- The Summit icon on the taskbar indicating the AP is connected.

Double tap this icon to bring up Summit Control Utility. Tap **Disable Radio**, you can disconnect the AP.

Under **Status** tab, you can see the IP address, signal strength and quality.



Barcode Scanner Programs

PA968 provides an option for the barcode scanner, allowing you to scan and decode various types of 1D/2D barcodes.

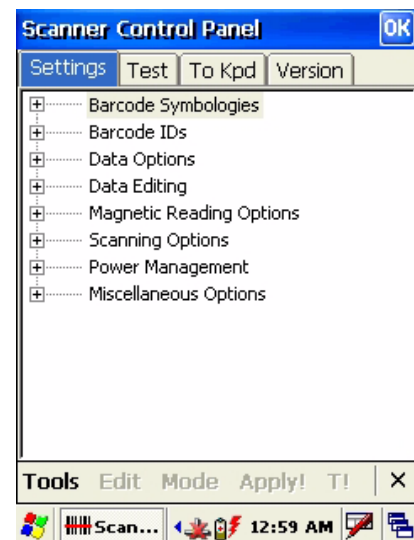
Scanner Setting

When it is necessary for the user to change the default barcode symbology for a different application, the Scanner Control Panel provides the ability to change default symbology, place delimiter characters behind scanned data, and save the settings.

Tap **Start** → **Settings** → **Control Panel** → **Scanner**.

The Scanner Control Panel appears.

NOTE: Press Func key and “7” button.



Scan2Key

The Scan2Key application routes input from a scanner port to a keypad buffer, making all input from the scanner emulate input from the keypad. Using Scan2Key, scanned data will be directed from the scanner port to any waiting (active/focused) text editor such as MS Mobile Word or a text box in an application.

Barcode Symbolologies

Barcode Symbology	Enable/Disable	Check Char/Digit verification	Transmit Check Char/Digit	Others
Australian Post	YES			Send bar width data
British Post	YES			
Canadian Post	YES			
Codabar	YES	YES	YES	Transmit start & stop char, *data length
Code 11	YES	YES		*data length
Code 128 / EAN 128	YES			*data length
Code 39	YES	YES	YES	For ASCII, Transmit start & stop char, Append mode, *data length
Code 93	YES			*data length
Dutch (KIX) Post	YES			
EAN 13	YES		YES	2 digit addenda, 5 digit addenda, Addenda required, Include addenda separator
EAN 8	YES		YES	2 digit addenda, 5 digit addenda, Addenda required, Include addenda separator
IATA 2 of 5	YES			*data length
Interleaved 2 of 5	YES	YES	YES	*data length
ISBT	YES			
Japanese Post	YES			
Korean Post	YES			*data length
Matrix 2 of 5	YES			*data length
MSI	YES		YES	*data length
Planet	YES		YES	
Postnet	YES		YES	
RSS (Databar)	YES			*data length
UPC A	YES		YES	2 digit addenda, 5 digit addenda, Addenda required, Include addenda separator, Send number system
UPC E	YES		YES	2 digit addenda, 5 digit addenda, Addenda required, Include addenda separator, Send number system, Expanded UPC-E
UPC E1	YES		YES	2 digit addenda, 5 digit addenda, Addenda required, Include addenda separator, Send number system, Expanded UPC-E

NOTE: *Value Adjustable Scanner Control Panel Version 5.14

Barcode Symbolologies 2D

Barcode Symbology	Enable/Disable	Check Char/Digit verification	Transmit Check Char/Digit	Others
Aztec	YES			Runes, *data length
Codablock F	YES			*data length
Code 49	YES			*data length
Data Matrix	YES			*data length
EAN-UCC Composite	YES			UPC composite, *data length
MaxiCode	YES			*data length
MicroPDF417	YES			*data length
OCR	YES			OCR mode, OCR direction, Template, Group G, Group H, Check character
PDF-417	YES			*data length
QR Code	YES			
TLC-39 (TCIF Linked Code 39)	YES			

NOTE: *Value Adjustable Scanner Control Panel Version 5.14

Advanced Settings

Performing a Hardware Reset

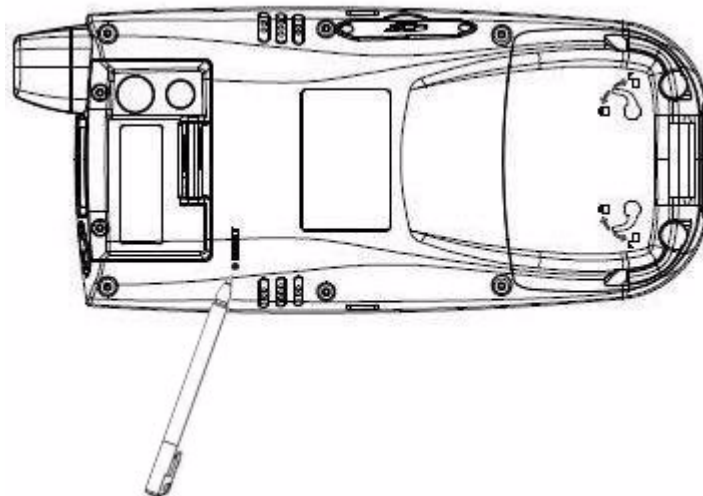
You may have to perform a reset if the device freezes (i.e., the device no longer responds to the buttons or tapping on the screen).

A soft reset allows your device to get a fresh start, similar to rebooting a computer.

This will restart your device and adjust memory allocation. All records and entries are retained after a soft reset. Unsaved data in open programs may be lost.

Performing a Warm Boot

1. Remove the stylus from its holder.
2. Lightly press the tip of the stylus to the reset button located at the rear side of the terminal.



Performing a Cold Boot

A cold boot will erase all data and all programs you have added, and will restore the device to the default factory settings.

Never perform a cold boot unless a warm boot does not correct your problem. When you perform your next ActiveSync operation, you can restore any data that you previously synchronized to your computer or you can restore data that you backed up to a storage card.

Method 1: From WinCE

1. Tap **Start** → **Programs** → **Utilities** → **Boot-mode**.

The BootMode Screen appears.



2. Tap **Cold Boot**.

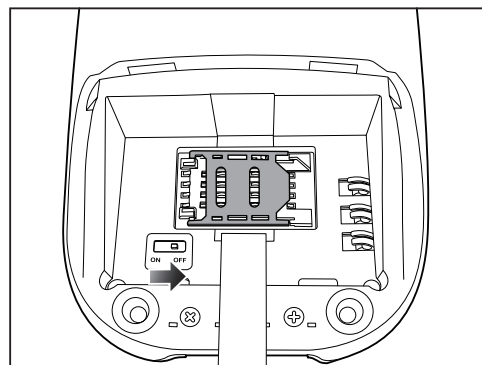
The system is reset and you will lose all data including all files in the RAM memory.



Method 2: From Hardware

1. Remove the battery compartment cover and the main battery. See *Installing the Battery* on page 6.

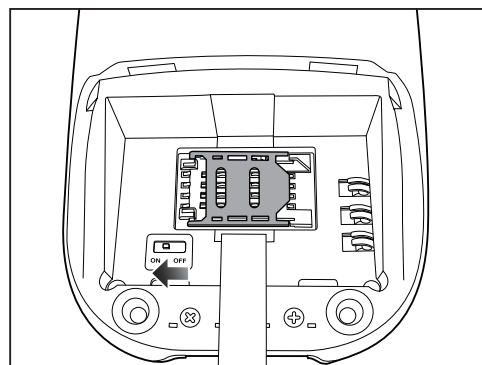
2. Turn the backup battery switch off.



3. Turn the backup battery switch on.

4. Put the battery back into the battery compartment and replace the battery compartment cover.

System will cold boot.



NOTE: When you perform hard reset, the data and time settings will not be retained. Formats, preferences, and other settings are restored to their default factory settings.

System Specification

Processor / Memory	CPU	Intel PXA270, 520MHz
	Memory	SDRAM: 128MB Flash ROM: 320MB
Operation System	WinCE.NET 5.0	
Keypad	24-Key, including numeric key, alpha key and function key, swappable keypads	
Display	240x320 pixel, 3.5" color transfective TFT-LCD with touch screen & backlight	
Communication	USB 1.1 Client/ Host Bluetooth 2.0 EDR IEEE 802.11b/g 3.5G Mobile communication system	
Barcode Scanner	1D Laser scanner engine 2D Imager (optional)	
Fingerprint Reader	Resolution 500dpi, 256 grey scale	
Camera	2.0M Pixel	
Flash Light	4800 candle power	
Indicator	LEDs, Vibrator	
Audio	MIC, speaker, headset connector, receiver	
Video	CIF - 352x240 pixel, 15 pix/sec	
Address Locating	GPS	
Expansion Slot	SDIO memory slot	
Power Source	Main battery	13.69 Watts Li-ion battery pack
	Backup battery	One rechargeable Ni-MH backup battery
Enclosure	Weight	500g with battery
	Dimension	Approximately 199.5mm X 88mm X 43.3mm (Antenna length excluded)
Environmental	Operating temperature	-10 °C ~ 50 °C
	Charging temperature	10 °C ~ 40 °C
	Storage temperature	-20 °C ~ 60 °C
	Relative humidity	5% ~ 95% (non-condensing)
	Drop test to concrete	1.5 Meter
	Environmental sealing	IP65
Models	BT Only	
	WLAN + BT	
	GPRS + BT (for Windows CE 5.0)	
Regulatory Approvals	CE, FCC, BSMI, VCCI, CCC, RoHS Compliance	
Software	Microsoft Visual Studio 2005 Microsoft Windows CE 5.0 SDK (from unitech) Oracle Database Lite Navigator (US, Canada, Europe area)	
Accessories	Desktop USB Cradle USB communication and charging cable AC adaptor (with regional power cord) Vehicle Cradle Battery charger 4 slot Multi-Bay Ethernet Cradle	