

Wireless Temperature Sensor User's Manual

Product Name: **Wireless Temperature Sensor**

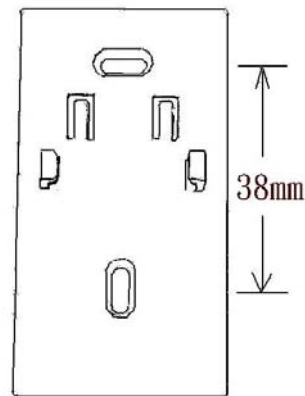
Model No: **WTS-110**

Input Power: **3V DC**

Features Description:

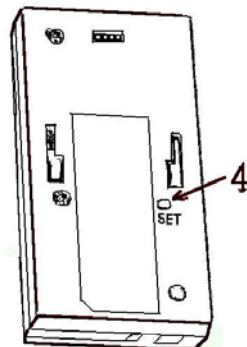
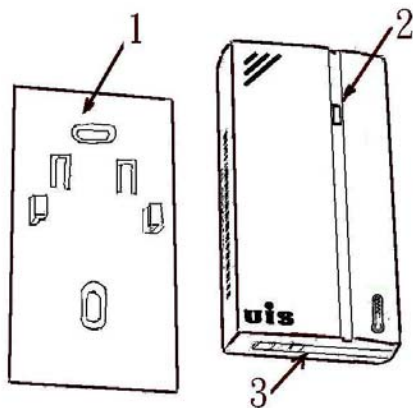
1. Wireless transmission of ambient temperature signals to the repeater, we can see that WTS-110 (Wireless Temperature Sensor) department placed ambient temperature values.
2. Use CR2032 type Li-ion batteries, battery power is insufficient to inform the host will automatically operate a very low power; the battery can be used for more than one and half years.
3. Easy link, when install at the first time to press the set button on the side of product binding with repeater.

Outline Dimensions:



Hole Distance

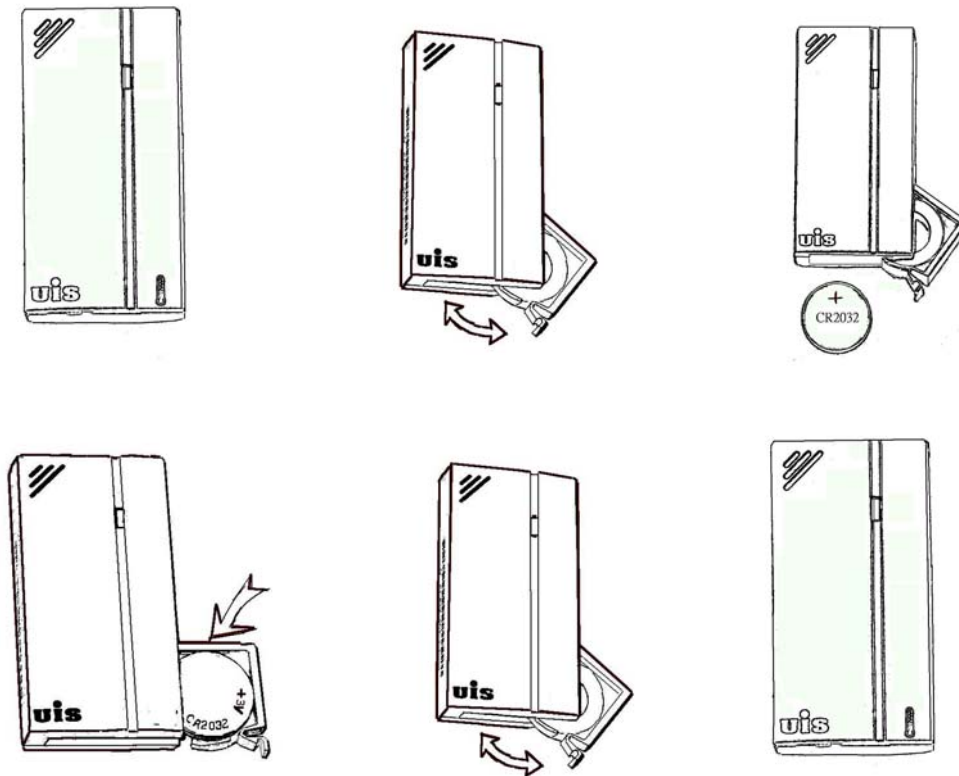
Feature Locator:



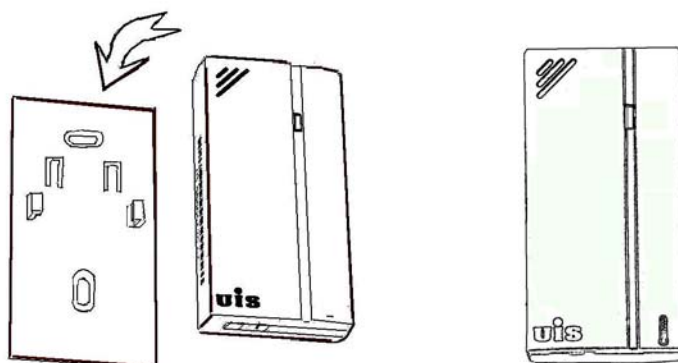
1. Foundation stop plate
2. State of LED window
3. battery holder
4. (SET) Setting button

Installation Hints:

1. Need to WTS-110 (Wireless Temperature Sensor) Foundation stop plate installed on the walls of the room to detect in order to start using.
2. WTS-110 (Wireless Temperature Sensor) Battery installation instructions are as follows maps, Add spin to open the battery holder, and then can be closed.
(Attention: CR2032 Battery Positive side up)

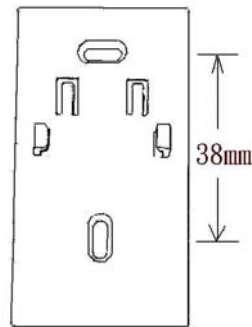


3. WTS-110 (Wireless Temperature Sensor) mounted to the Foundation stop plate described below map, linked to the drop of a good position to.



4. WTS-110 (Wireless Temperature Sensor) by pressing the SET button at the bottom, and then press the WR-110 (wireless repeater) at the bottom of the SET button, Wait for 30 seconds to 1 minute. If LED indicator light flash three times that means linking success. If LED indicator light flash two times that means fail.
5. Join to link with Gateway, please reference user manual of WCC-110 (Wireless console controller).

6. Under the Foundation stop plate can map the location of locking screw holes in order to pay Gum adhesive or screw fixed way, Easy DIY installation of WTS-110(Wireless Temperature Sensor) fixed at any location in the room. .



Hole Distance

Troubleshooting:

- Problem :** When link with WR-110 (Wireless repeater), there is no display of LED indicator light for WTS-110 (Wireless Temperature Sensor) to flash two or three times.

Solution :

 - Need to make sure the battery is good there is electricity, the installation of the battery positive and negative direction is correct.
 - May be not press set button, need to link with repeater again.
 - If the above handles are invalid, please contact with agency.
- Problem :** Unable to link with WR-110 (wireless repeater).

Solution :

 - It needs to confirm the distance between WTS-110 (Wireless Temperature Sensor) and WR-110 (Wireless repeater). Wireless connects in non-camouflage straight line effective range 10 meters. May pull closer between booth's distance tests to have a look first, whether to have the improvement segment condition.

Specification:

Wireless Temperature Sensor	
Model No.	WTS-110
Electrical Specification	
Transmit Frequency	2.4GHz
Modulation	GFSK
Transmit Power	0 dBm
Channel spacing	1 MHz
Channel NO.	81 Channel(2401 ~ 2481Mhz)
Range of operation	10 meters
Operating voltage	3.0V DC
Current (typical)	Working: 14mA Peak Standby: 1 uA Max
Battery Type	CR2032
Battery Quantity (PCS)	1
Sensor Type	NTC THERMISTOR
Sensor Detect Range	-20°C to 60°C
Display Type	Red LED indicator
Operation Interface	Push button switch for setting
Environmental Requirement	
Operating temperature	-20°C to 60°C
Storage temperature	-20°C to 70°C
Humidity	90% RH Max. Non-Condensing
Mechanical Specification	
Dimension (WxHxD, mm)	34x66x15
Weight (No Battery)	23 g
Weight (Include Battery)	26 g

FEDERAL COMMUNICATIONS COMMISSION INTERFERENCE STATEMENT

This equipment has been tested and found to comply with the limits for a Class B digital device, pursuant to Part 15 of the FCC Rules. These limits are designed to provide reasonable protection against harmful interference in a residential installation. This equipment generates, uses and can radiate radio frequency energy and, if not installed and used in accordance with the instructions, may cause harmful interference to radio communications. However, there is no guarantee that interference will not occur in a particular installation. If this equipment does cause harmful interference to radio or television reception, which can be determined by turning the equipment off and on, the user is encouraged to try to correct the interference by one or more of the following measures:

- Reorient or relocate the receiving antenna.
- Increase the separation between the equipment and receiver.
- Connect the equipment into an outlet on a circuit different from that to which the receiver is connected.
- Consult the dealer or an experienced radio/TV technician for help.

CAUTION:

Any changes or modifications not expressly approved by the party responsible for compliance could void the user's authority to operate the equipment.

This device complies with Part 15 of the FCC Rules. Operation is subject to the following two conditions:

- (1) This device may not cause harmful interference and
- (2) This device must accept any interference received, including interference that may cause undesired operation.