

GAS-FIRED HOT WATER BOILERS

PARTS AND OPTIONAL ACCESSORIES



An ISO 9001-2008 Certified Company

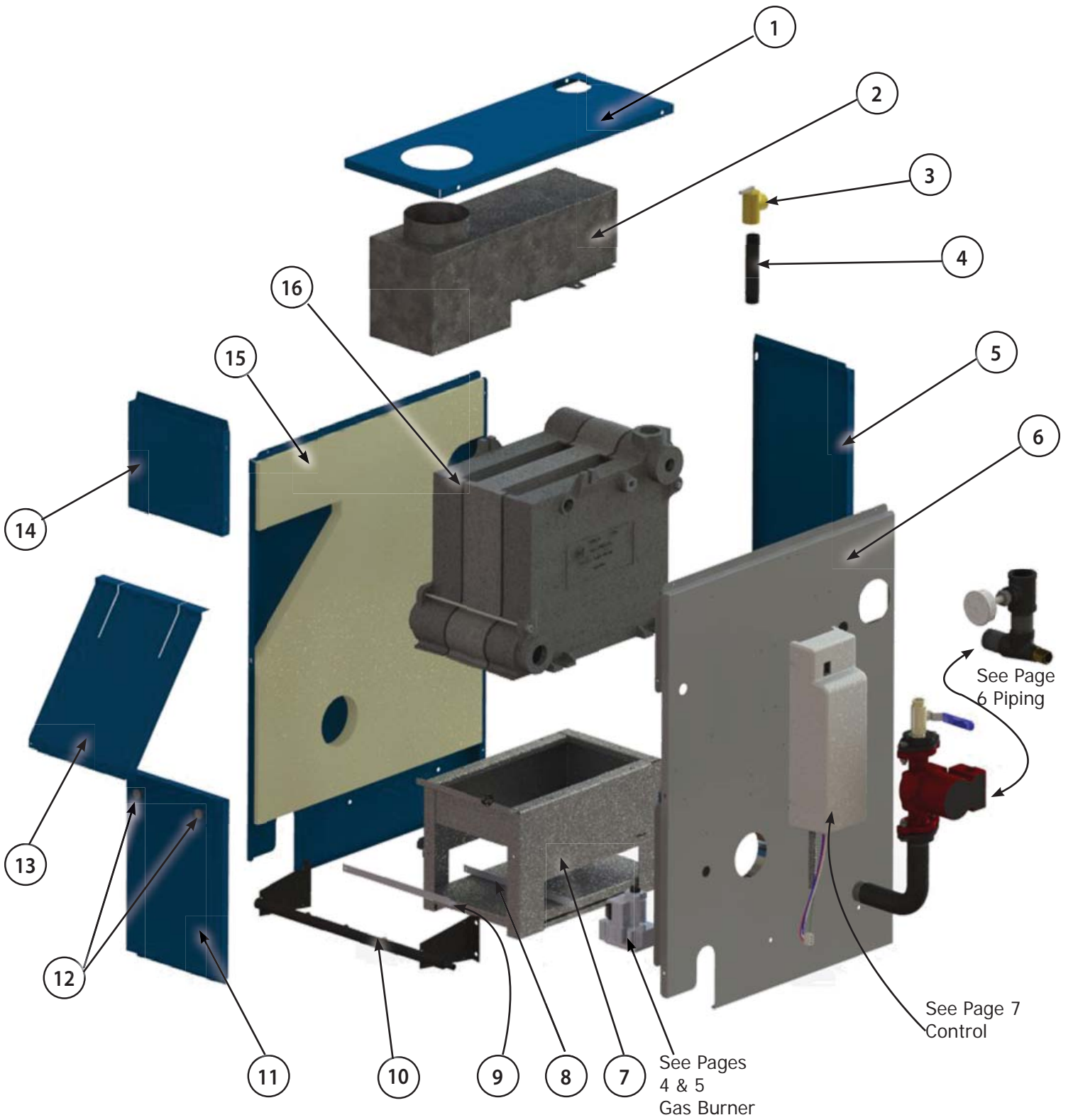
Manufactured by:

ECR International, Inc.

2201 Dwyer Avenue, Utica NY 13501

web site: www.ecrinternational.com

P/N 240009272, Rev. A [03/2012]

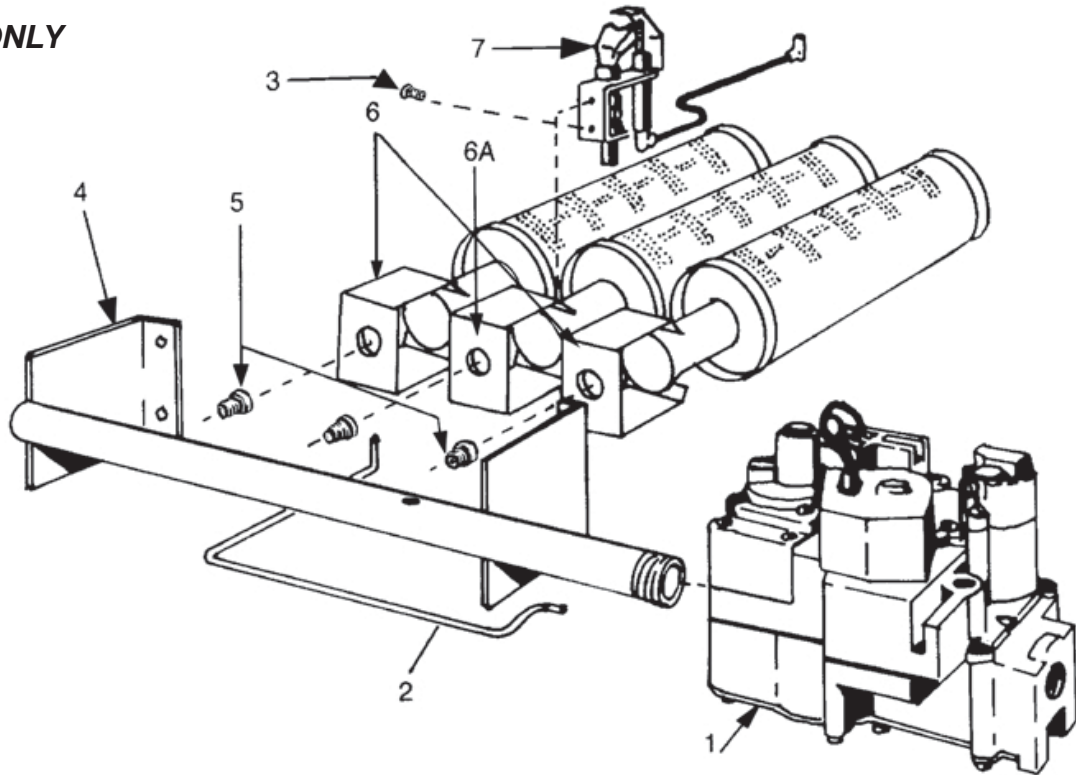


Jacket Assembly

	DESCRIPTION	8	9
		SECTION	SECTION
		Part No.	Part No.
1	Jacket, Top Panel	42500848	42500849
2	Draft Diverter	42500678	42500679
3	3/4" ASME Safety Relief Valve	14622011	
4	3/4" x 6 1/2" Adapter	14607002	
5	Jacket, Back Panel	42500838	42500839
6	Jacket, Right Side Panel	109008574	
7a	Base	42500668	42500669
7b	Base Insulation	14614130	
	- Base Sides (2)	14614118	14614119
	- Base Front	14614128	14614129
	- Base Rear		
8	Base Baffle	42500648	42500649
9	Jacket Tie Bar	42500658	42500659
10	Gas Manifold	See Pages 4 & 5	
11	Jacket, Diverter Panel	42500828	42500829
12	Knob, Service Door (Pair)	13702513	
13	Jacket, Diverter	42500828	42500829
14	Jacket, Front Panel	42500808	42500809
15	Jacket, Left Side Panel	109008736	
16	Block Assembly	41000831	41000931
‡	Jacket Complete	42500878	42500879
‡	Combustible Floor Plate	14614032	
‡	Cerafelt Gasket	14614018	14614018
‡	Vent Damper	240006939	
‡	Base Assembly (7A, 7B, 8)	43300668	43300669
‡ Not illustrated			

REPAIR PARTS

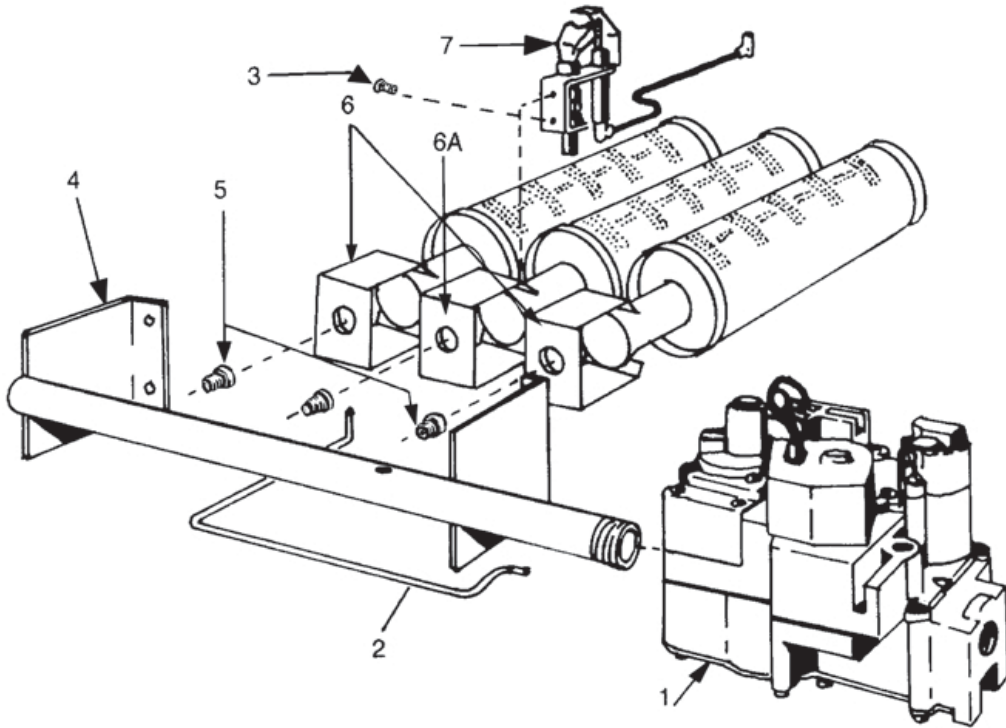
**FOR USE WITH
NATURAL GAS ONLY**



**NOTE: Actual gas valve may look
different than gas valve shown**

NATURAL GAS BURNER & MANIFOLD PARTS			
KEY NO.	DESCRIPTION		
		8 Section	9 Section
1	Gas Valve, Natural Gas	14662058	14662058
2	Pilot Tube	14615006	14615006
3	10-32 x 3/16" Slotted Hex Head Screws	14695301	14695301
4	Gas Manifold	14616015	14616016
5	Main Burner Orifice*	14615035	14615035
6	Main Burner Regular**	14615532	14615532
6A	Main Burner, Pilot Mount	14615531	14615531
7	Pilot Burner	240009031	240009031
‡	Rollout Shield	42500938	42500939
*Requires 1 less than the number of sections.			
**Requires 2 less than the number of sections.			

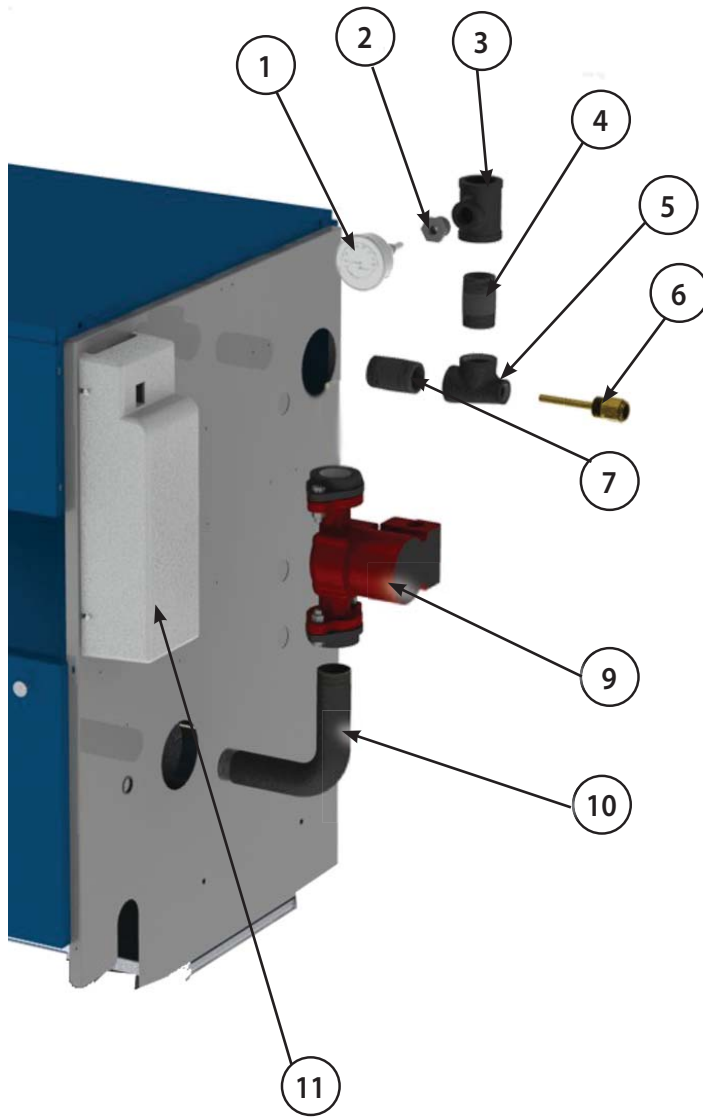
FOR USE WITH PROPANE GAS ONLY



NOTE: Actual gas valve may look different than gas valve shown

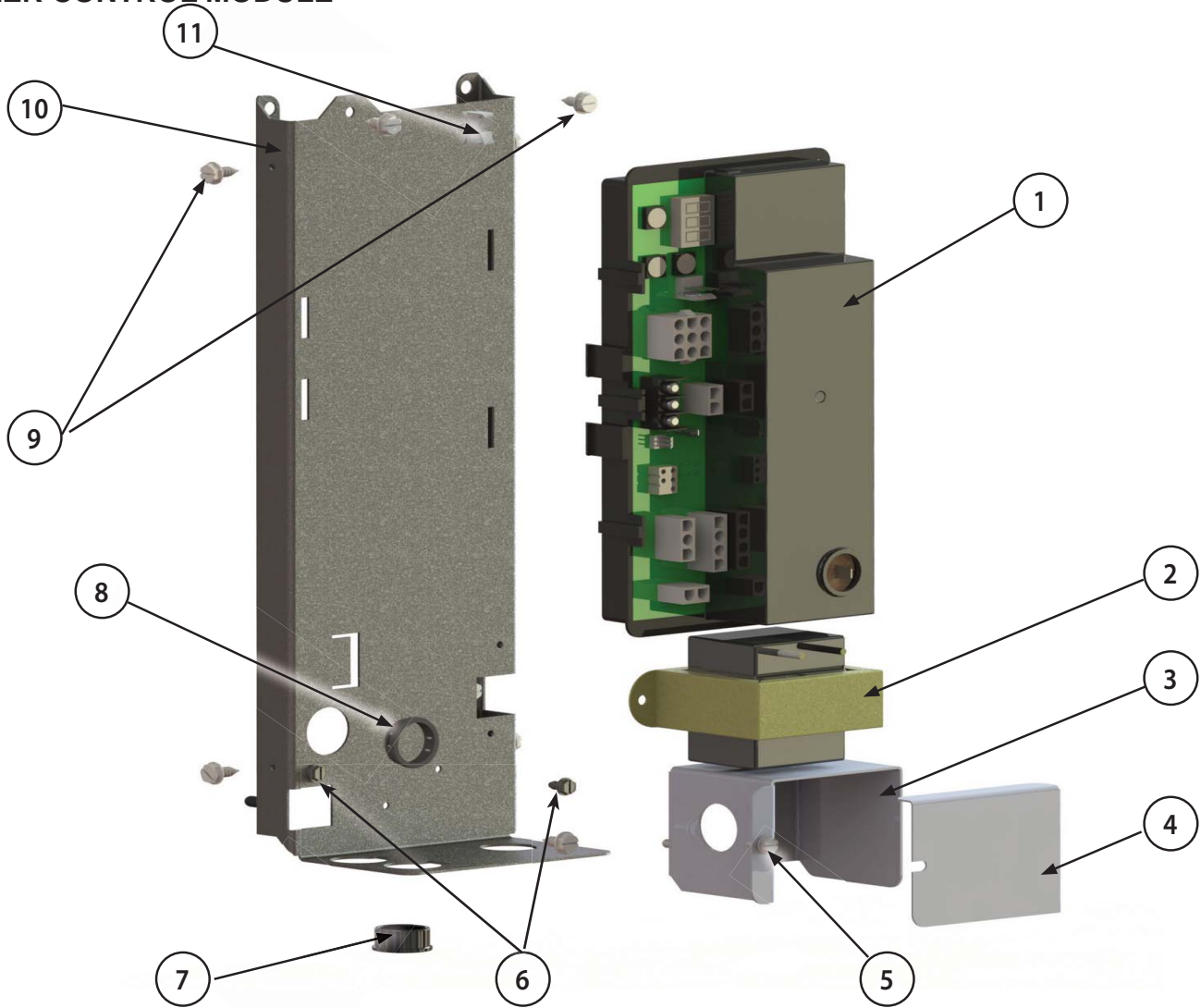
PROPANE GAS BURNER & MANIFOLD PARTS			
KEY NO.	DESCRIPTION		
		8 Section	9 Section
1	Gas Valve, LP Gas	14662062	14662062
2	Pilot Tube	14615006	14615006
3	10-32 x 3/16" Slotted Hex Head Screws	14695301	14695301
4	Gas Manifold	14616015	14616016
5	Main Burner Orifice*	14615036	14615036
6	Main Burner Regular**	14615532	14615532
6A	Main Burner, Pilot Mount	14615531	14615531
7	Pilot Burner (includes)***	240009031	
		PB00208	
		14662087	
‡	Rollout Shield	42500938	42500939
*Requires 1 less than the number of sections. **Requires 2 less than the number of sections. *** Pilot shipped natural gas only orifice and fitting required for LP conversion			

BOILER CONTROLS AND PIPING



No.	Description	Part No.
1	Temperature Pressure Gauge - 2" shank	1260006SP
2	Bushing, 3/4" x 1/4", Black Iron	1060002
3	Tee, 1 1/4" x 1 1/4" x 3/4", Black Iron	PF05901
4	Adapter, 1 1/4" x 2 1/2", Black Iron	14607044
5	1 1/4" x 3/4" x 1 1/4" Tee	1510001
6	Well	1635001
7	1 1/4" x 2 1/2" Adapter	14607044
9	Grundfos Pump UP15-42F Circulator	CI006.01
	Taco Pump 007	CI-001.03
‡	Circulator Harness	240008767
10	1 1/4" Bent Return Adapter	14607003
11	Plastic Control Cover	108000193
‡	Spill Switch (36TX16-6282) 280°F	1500009
‡	Rollout Switch	14629002
‡	2 1/2" x 1 1/4" Bushing (2 Required)	14693008
‡	2 1/2" Plug	14693024
‡	2 1/2" x 3/4" Bushing	14693083
‡	1/2" Plug (3 Required)	1395003
‡	400°F Black Silicone Rubber Adhesive Sealant (10.3 oz. Cartridge)	240006837
‡ Not illustrated		

BOILER CONTROL MODULE



ITEM	DESCRIPTION	P/N	QTY.
1	Control Module	240008781	1
2	50 VA Transformer	240008782	1
3	J-Box	109008634	1
4	J-Box Cover	109008635	1
5	Screw # 8X 1/2 " B Point	20100021	4
6	Ground Screw # 8	HW07701	2
7	Grommet, Plastic 7/8"	14693011	1
8	Grommet, Plastic 7/8"	20600023	1
9	Screw #10 X 1/2" , A Point	14695074	8
10	Control Panel	109008507	1
11	Cable Keeper	EF03601	1
*	Wire Harness, Line Volt	240009194	1
*	Wire Harness, Low Volt	240009195	1
*	Sensor, 36"	240007732	1
*	Sensor Clip	240008013	1
*	Damper Harness	240006309	1
* NOT SHOWN			

ITEM	DESCRIPTION	P/N	QTY.
*	Rollout Switch Harness	43300900	1
*	Green Ground Screw, 8-32 x 5/16	HW07701	2
*	Strain Relief Connector	EF-016.01	1
*	Wire Clamp	EF03601	1
*	Bushing, 7/8 to 3/4	206000023	1
*	Strain Relief Bushing	14634032	2
*	Screw, 10 x 12	14695074	2
* NOT SHOWN			