



Mercedes-Benz

- ***Accessories***
- 

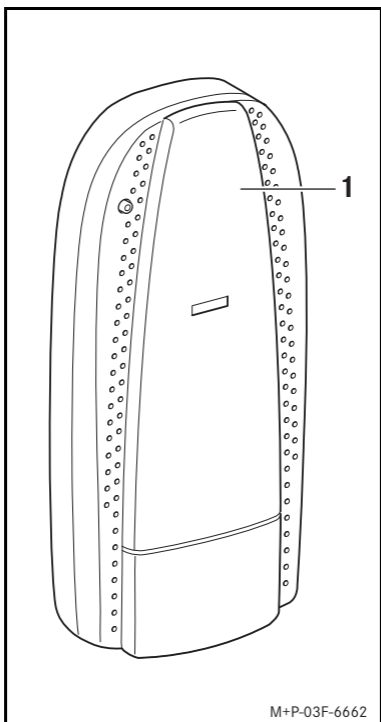
## **Installation Instructions**

Mercedes-Benz Cradle adaptor with  
Bluetooth<sup>®</sup> wireless technology

***5. Entwurf GEN II***  
***01.06.2006 / 03F037-06***

USA CDN

**Mercedes-Benz Cradle adaptor  
with Bluetooth<sup>®</sup> wireless  
technology**





**The Mercedes-Benz approved/  
recommended Bluetooth® Phones can be  
utilized inside Mercedes-Benz vehicles.**

### **Application**

These installation instructions are valid for vehicles with an MHI hands-free communications systems and a Mercedes-Benz-approved Bluetooth® mobile telephone. Approved mobile telephones are listed and can be purchased on the Internet at [www.wireless4mb.com](http://www.wireless4mb.com) or call 1-800-266-7746 to speak to a wireless activation specialist.

### **Parts included**

- (1) Mercedes-Benz Cradle adaptor with Bluetooth® wireless technology



### **Warning**

It is not recommended to operate the mobile telephone keypad while driving.

### **Notes**

Please contact your local Mercedes-Benz Center if you encounter difficulties when operating the Mercedes-Benz Hands-Free Communication System.

More information can be found on the Internet at [www.wireless4mb.com](http://www.wireless4mb.com) or call 1-800-266-7746 to speak to a wireless activation specialist.

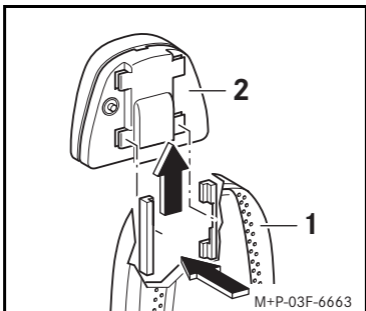
## Notes

The manufacturer reserves the right to change technical details from those shown in the illustrations contained in these installation instructions.

These installation instructions also refer to the vehicle Operator's Manual, COMAND Operator's Manual, and mobile telephone manual. Please refer to them for reference.

Use of a mobile telephone other than a Mercedes-Benz approved/recommended model may result in improper performance and cannot be equipped or serviced by Mercedes-Benz.

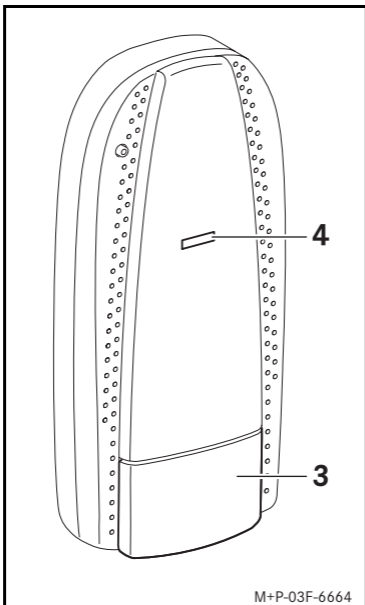
## Installing the Mercedes-Benz Cradle adaptor with Bluetooth®



Insert the Mercedes-Benz Cradle adaptor with Bluetooth® (1) into the latches on the pre-installed contact plate (2), located in the center console. To insert the Mercedes-Benz Cradle adaptor with Bluetooth® (1), slide it upwards until it clicks into place.

## Pairing the mobile telephone with the Mercedes-Benz Cradle adaptor with Bluetooth®

Make sure that the starter switch is in position 1, 2 or 3 (see the vehicle Operator's Manual).



1. With Mercedes-Benz Cradle adaptor with Bluetooth® connected to the vehicle press button (3) for approx. 2-3 seconds. The LED (4) will begin to flash rapidly. The Mercedes-Benz Cradle adaptor with Bluetooth® is in Discovery Mode and can be detected by a Bluetooth® mobile telephone. The Mercedes-Benz Cradle adaptor with Bluetooth® will appear as "MB PhoneSystem" on the mobile telephone.

2. For instructions on how to get the mobile telephone ready for pairing, see the mobile telephone manual or visit [www.wireless4mb.com](http://www.wireless4mb.com). Once the mobile telephone and Mercedes-Benz Cradle adaptor with Bluetooth<sup>®</sup> find each other the mobile telephone will prompt the user to enter a Pass-Key.

**Note**

Located on the backside of the Mercedes-Benz Cradle adaptor with Bluetooth<sup>®</sup> there will be a sticker containing the Pass-Key (5).

4. When prompted, enter the Pass-Key into the mobile telephone. Depending on the type of mobile telephone being used, it may be necessary to confirm a connection request (see the mobile telephone manual).

5. Once the Pass-Key has been entered and accepted the LED (4) will be lit continuously. This confirms that the mobile telephone is paired and connected and the mobile telephone information has been stored in the Mercedes-Benz Cradle adaptor with Bluetooth<sup>®</sup>.

6. The mobile telephone is now ready for use with the Mercedes-Benz Hands-Free Communication System.

## Establishing a Bluetooth® Connection

### Notes

A maximum of 4 mobile telephones can be paired with the Mercedes-Benz Cradle adaptor with Bluetooth®. However, only one mobile telephone is connected to the Mercedes-Benz Cradle adaptor with Bluetooth® at a time. If a fifth mobile telephone is paired with the Mercedes-Benz Cradle adaptor with Bluetooth®, then the information stored from the first mobile telephone which was paired with the Mercedes-Benz Cradle adaptor with Bluetooth® will be replaced.

When the starter switch is in position 1, 2 or 3 (see the vehicle Operator's Manual), the Mercedes-Benz Cradle adaptor with Bluetooth® will search for the last connected mobile telephone and reconnect.

The Mercedes-Benz Cradle adaptor with Bluetooth® will search continuously and automatically after startup for one of the paired phones.

If the last connected mobile telephone is not found the Mercedes-Benz Cradle adaptor with Bluetooth® will search for one of the previously paired phones and connect to it.

The searching routine is being repeated as long as a paired mobile phone is ready to be connected. Searching is indicated with LED (4) flashing periodically.

If the connection between the Mercedes-Benz Cradle adaptor with Bluetooth® and mobile telephone is not established automatically, it is possible to establish a connection manually (see page 7).

When using Bluetooth<sup>®</sup> the mobile telephone uses more power. Since the mobile telephone is not being charged the battery should have a sufficient charge.

SMS messages can not be accessed via the COMAND or radio while the Bluetooth<sup>®</sup> connection is established.

Not every ring-tone of the mobile telephone is supported by the COMAND or radio.

3-way-calling and call waiting are not supported from the Mercedes-Benz Cradle adaptor with Bluetooth<sup>®</sup>. An audible peep will notify a waiting call.

The roaming indication is not supported by the COMAND or radio.

For a list of supported features please visit [www.wireless4mb.com](http://www.wireless4mb.com).

The Tele Aid System (emergency call system) will continue to function as designed as long as there is a valid service contract.



## Connecting the mobile telephone and Mercedes-Benz Cradle adaptor with Bluetooth® manually

Valid for all Mercedes-Benz vehicles with the exception of the model year 2007 S-Class:

- Press **TEL** button on the COMAND or radio.

Model year 2007 S-Class vehicles:

- Using the COMAND Controller, select "Telephone" → "Telephone" → "Telephone on".

### Note

Before manual connection, the mobile telephone must previously be paired with the Mercedes-Benz Cradle adaptor with Bluetooth® (see pairing procedure on page 3).

The Mercedes-Benz Cradle adaptor with Bluetooth® will search continuously and in sequence for one of the paired mobile phones. If a bluetooth connection is disconnect manually that adapter will stop searching.

When the mobile telephone is within the range (approx. 30 ft) of the Mercedes-Benz Cradle adaptor with Bluetooth®, the connection between the mobile telephone and the Mercedes-Benz Cradle adaptor with Bluetooth® remains active, and phone calls made with the mobile telephone use the vehicle's hands-free system. For this reason, the connection between the mobile telephone and the Mercedes-Benz Cradle adaptor with Bluetooth® should be disconnected manually if the mobile telephone is taken out of the vehicle (see page 8).

### **Disconnecting the Bluetooth® connection automatically**

The connection between the Mercedes-Benz Cradle adaptor with Bluetooth® and the mobile telephone is automatically disconnected when the mobile telephone travels outside of the range (approx. 30 ft) of the Mercedes-Benz Cradle adaptor with Bluetooth®.

### **Disconnecting the Bluetooth®-connection manually**

The connection between the mobile telephone and the Mercedes-Benz Cradle adaptor with Bluetooth® can be disconnected at any time by using the mobile telephone (see the mobile telephone manual).

To disconnect the paired mobile telephone from Mercedes-Benz Cradle adaptor with Bluetooth® using the COMAND or radio. Valid for all Mercedes-Benz vehicles with the exception of the model year 2007 S-Class:

- Press and hold **TEL** button on the COMAND or radio for approx. 3 seconds.

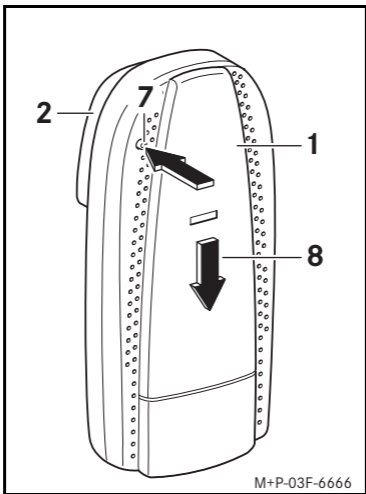
Model year 2007 S-Class vehicles:

- Using the COMAND Controller, select "Telephone" → "Telephone" → "Telephone off".

### **Note**

If a phone call is in progress, the connection can only be disconnected directly on the mobile telephone (see the mobile telephone manual).

## Detaching the Mercedes-Benz Cradle adaptor with Bluetooth®



Press and hold the release button (6). Slide the Mercedes-Benz Cradle adaptor with Bluetooth® (1) in direction of arrow (7) and remove it from the pre-installed contact plate (2).

### Note

This device complies with part 15 of the FCC Rules. Operation is subject to the following two conditions:

- This device may not cause harmful interference.
- This device must accept any interference received, including interference that may cause undesired operation.

© 2006, Mercedes-Benz Accessories Inc.  
Not to be reprinted, translated or otherwise  
reproduced, either wholly or in part.  
Mercedes-Benz Accessories Inc., Stuttgart ·  
A DaimlerChrysler AG Company  
06/06  
03F037-05  
**Order No. S-3150-05A**  
Printed on 100 % Recycled Paper