

# Operating Instructions

Radar sensor for continuous level  
measurement of bulk solids

## VEGAPULS 69

4 ... 20 mA/HART - two-wire



Document ID: 47247

**VEGA**

# Contents

<b>1</b>	<b>About this document</b>	
1.1	Function .....	4
1.2	Target group .....	4
1.3	Symbols used.....	4
<b>2</b>	<b>For your safety</b>	
2.1	Authorised personnel .....	5
2.2	Appropriate use.....	5
2.3	Warning about incorrect use.....	5
2.4	General safety instructions .....	5
2.5	CE conformity.....	6
2.6	NAMUR recommendations .....	6
2.7	Radio license for Europe .....	6
2.8	Radio License for USA .....	6
2.9	Radio license for Canada .....	7
2.10	Environmental instructions .....	8
<b>3</b>	<b>Product description</b>	
3.1	Configuration.....	9
3.2	Principle of operation.....	10
3.3	Packaging, transport and storage.....	11
3.4	Accessories and replacement parts .....	11
<b>4</b>	<b>Mounting</b>	
4.1	General instructions .....	14
4.2	Mounting versions, plastic horn antenna .....	14
4.3	Mounting preparations, mounting strap .....	17
4.4	Mounting instructions .....	18
<b>5</b>	<b>Connecting to power supply</b>	
5.1	Preparing the connection .....	29
5.2	Connecting.....	30
5.3	Wiring plan, single chamber housing.....	31
5.4	Wiring plan, double chamber housing .....	32
5.5	Double chamber housing Ex d .....	34
5.6	Wiring plan, double chamber housing Ex d ia .....	35
5.7	Double chamber housing with DIS-ADAPT .....	37
5.8	Wiring plan - version IP 66/IP 68, 1 bar.....	38
5.9	Switch-on phase.....	38
<b>6</b>	<b>Set up with the display and adjustment module</b>	
6.1	Insert display and adjustment module .....	39
6.2	Adjustment system .....	40
6.3	Measured value indication - Selection national language.....	41
6.4	Parameter adjustment - Quick setup .....	42
6.5	Parameter adjustment - Extended adjustment.....	43
6.6	Saving the parameter adjustment data.....	57
<b>7</b>	<b>Setup with PACTware</b>	
7.1	Connect the PC .....	59
7.2	Parameter adjustment .....	60
7.3	Saving the parameter adjustment data.....	61

<b>8</b>	<b>Set up with other systems</b>	
8.1	DD adjustment programs .....	62
8.2	Field Communicator 375, 475 .....	62
<b>9</b>	<b>Diagnosis, asset management and service</b>	
9.1	Maintenance .....	63
9.2	Measured value and event memory .....	63
9.3	Asset Management function.....	64
9.4	Rectify faults.....	68
9.5	Exchanging the electronics module.....	71
9.6	Software update .....	72
9.7	How to proceed if a repair is necessary.....	72
<b>10</b>	<b>Dismount</b>	
10.1	Dismounting steps.....	73
10.2	Disposal .....	73
<b>11</b>	<b>Supplement</b>	
11.1	Technical data .....	74
11.2	Radio astronomy stations.....	83
11.3	Dimensions .....	83



**Safety instructions for Ex areas**

Take note of the Ex specific safety instructions for Ex applications. These instructions are attached as documents to each instrument with Ex approval and are part of the operating instructions manual.

Editing status:2015-01-28

# 1 About this document

## 1.1 Function

This operating instructions manual provides all the information you need for mounting, connection and setup as well as important instructions for maintenance and fault rectification. Please read this information before putting the instrument into operation and keep this manual accessible in the immediate vicinity of the device.

## 1.2 Target group

This operating instructions manual is directed to trained specialist personnel. The contents of this manual should be made available to these personnel and put into practice by them.

## 1.3 Symbols used



### Information, tip, note

This symbol indicates helpful additional information.



**Caution:** If this warning is ignored, faults or malfunctions can result.



**Warning:** If this warning is ignored, injury to persons and/or serious damage to the instrument can result.



**Danger:** If this warning is ignored, serious injury to persons and/or destruction of the instrument can result.



### Ex applications

This symbol indicates special instructions for Ex applications.



### List

The dot set in front indicates a list with no implied sequence.



### Action

This arrow indicates a single action.



### Sequence of actions

Numbers set in front indicate successive steps in a procedure.



### Battery disposal

This symbol indicates special information about the disposal of batteries and accumulators.

## 2 For your safety

### 2.1 Authorised personnel

All operations described in this operating instructions manual must be carried out only by trained specialist personnel authorised by the plant operator.

During work on and with the device the required personal protective equipment must always be worn.

### 2.2 Appropriate use

VEGAPULS 69 is a sensor for continuous level measurement.

You can find detailed information about the area of application in chapter "*Product description*".

Operational reliability is ensured only if the instrument is properly used according to the specifications in the operating instructions manual as well as possible supplementary instructions.

### 2.3 Warning about incorrect use

Inappropriate or incorrect use of the instrument can give rise to application-specific hazards, e.g. vessel overfill or damage to system components through incorrect mounting or adjustment.

### 2.4 General safety instructions

This is a state-of-the-art instrument complying with all prevailing regulations and guidelines. The instrument must only be operated in a technically flawless and reliable condition. The operator is responsible for the trouble-free operation of the instrument.

During the entire duration of use, the user is obliged to determine the compliance of the necessary occupational safety measures with the current valid rules and regulations and also take note of new regulations.

The safety instructions in this operating instructions manual, the national installation standards as well as the valid safety regulations and accident prevention rules must be observed by the user.

For safety and warranty reasons, any invasive work on the device beyond that described in the operating instructions manual may be carried out only by personnel authorised by the manufacturer. Arbitrary conversions or modifications are explicitly forbidden.

The safety approval markings and safety tips on the device must also be observed.

Depending on the instrument version, the emitting frequencies are in the C, K or W band range. The low emitting frequencies are far below the internationally approved limit values. When used correctly, the device poses no danger to health.

## 2.5 CE conformity

The device fulfills the legal requirements of the applicable EC guidelines. By affixing the CE marking, we confirm successful testing of the product.

You can find the CE Certificate of Conformity in the download section of our homepage.

## 2.6 NAMUR recommendations

NAMUR is the automation technology user association in the process industry in Germany. The published NAMUR recommendations are accepted as the standard in field instrumentation.

The device fulfills the requirements of the following NAMUR recommendations:

- NE 21 – Electromagnetic compatibility of equipment
- NE 43 – Signal level for malfunction information from measuring transducers
- NE 53 – Compatibility of field devices and display/adjustment components
- NE 107 – Self-monitoring and diagnosis of field devices

For further information see [www.namur.de](http://www.namur.de).

## 2.7 Radio license for Europe

The instrument meets the LPR (Level Probing Radar) radio standard EN 302729-1/2.

It is approved for unrestricted use inside and outside of closed vessels in countries of the EU and EFTA that have implemented this standard.

For operation outside of closed vessels, the following conditions must be fulfilled:

- The installation must be carried out by trained qualified personnel
- The instrument must be stationary mounted and the antenna directed vertically downward
- The mounting location must be at least 4 km away from radio astronomy stations, unless special permission was granted by the responsible national approval authority
- When installed within 4 to 40 km of a radio astronomy station, the instrument must not be mounted higher than 15 m above the ground.

You can find a list of the respective radio astronomy stations in chapter "Supplement".

## 2.8 Radio License for USA

This device complies with Part 15 of the FCC Rules. Operation is subject to the following two conditions:

- This device may not cause interference, and
- This device must accept any interference, including interference that may cause undesired operation of the device

This device is approved for unrestricted use only inside closed, stationary vessels made of metal or concrete.

For operation outside of closed vessels, the following conditions must be fulfilled:

- This device shall be installed and maintained to ensure a vertically downward orientation of the transmit antenna's main beam. Furthermore, the use of any mechanism that does not allow the main beam of the transmitter to be mounted vertically downward is prohibited.
- This device shall be installed only at fixed locations. The LPR device shall not operate while being moved or while inside a moving container.
- Hand-held applications are prohibited.
- Marketing to residential consumers is prohibited.

Changes or modifications not expressly approved by the manufacturer could void the user's authority to operate this equipment.

## 2.9 Radio license for Canada

This device complies with Industry Canada license-exempt RSS standard(s). Operation is subject to the following conditions:

- This device may not cause interference, and
- This device must accept any interference, including interference that may cause undesired operation of the device
- Installation of LPR device shall be done by trained installers, in strict compliance with the manufacturer's instructions
- The use of this device is on a "no-interference, no-protection" basis. That is, the user shall accept operations of high-powered radar in the same frequency band which may interfere with or damage this device. However, level probing devices found to interfere with primary licensing operations will be required to be removed at the user's expense
- This device shall be installed and maintained to ensure a vertically downward orientation of the transmit antenna's main beam
- This device shall be installed only at fixed locations. The LPR device shall not operate while being moved or while inside a moving container

Le présent appareil est conforme aux CNR d'Industrie Canada applicables aux appareils radio exempts de licence. L'exploitation est autorisée aux deux conditions suivantes:

- L'appareil ne doit pas produire de brouillage, et
- L'utilisateur de l'appareil doit accepter tout brouillage radioélectrique subi, même si le brouillage est susceptible d'en compromettre le fonctionnement
- L'installation de l'appareil LPR doit être faite par des installateurs expérimentés dans le respect des instructions du fabricant
- Cet appareil s'utilise en "non-interférence, non-protection". Ceci veut dire que l'utilisateur accepte le fonctionnement de radars de haute puissance agissant dans la même bande de fréquence et pouvant interférer avec cet appareil ou l'endommager. Toutefois,

les appareils de test de niveau qui interfèrent avec les opérations primaires de prise de licence devront être retirés aux frais de l'utilisateur.

- Cet appareil doit être installé et entretenu de manière à assurer une orientation verticale vers le bas du faisceau principal de l'antenne de transmission
- Cet appareil ne doit être installé qu'à des emplacements fixes. L'appareil LPR ne doit pas fonctionner pendant qu'il se déplace ou se trouve dans un conteneur en mouvement

## 2.10 Environmental instructions

Protection of the environment is one of our most important duties. That is why we have introduced an environment management system with the goal of continuously improving company environmental protection. The environment management system is certified according to DIN EN ISO 14001.

Please help us fulfill this obligation by observing the environmental instructions in this manual:

- Chapter "*Packaging, transport and storage*"
- Chapter "*Disposal*"



### 3 Product description

#### 3.1 Configuration

##### Type label

The type label contains the most important data for identification and use of the instrument:

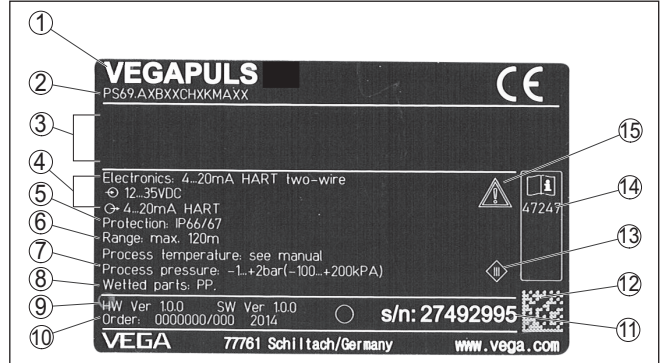


Fig. 1: Layout of the type label (example)

- 1 Instrument type
- 2 Product code
- 3 Approvals
- 4 Power supply and signal output, electronics
- 5 Protection rating
- 6 Measuring range
- 7 Process and ambient temperature, process pressure
- 8 Material, wetted parts
- 9 Hardware and software version
- 10 Order number
- 11 Serial number of the instrument
- 12 Data-Matrix-Code for smartphone app
- 13 Symbol of the device protection class
- 14 ID numbers, instrument documentation
- 15 Reminder to observe the instrument documentation
- 16 Notified authority for CE marking
- 17 Approval directive

##### Serial number - Instrument search

The type label contains the serial number of the instrument. With it you can find the following instrument data on our homepage:

- Product code (HTML)
- Delivery date (HTML)
- Order-specific instrument features (HTML)
- Operating instructions and quick setup guide at the time of shipment (PDF)
- Order-specific sensor data for an electronics exchange (XML)
- Test certificate (PDF) - optional

Go to [www.vega.com](http://www.vega.com), "VEGA Tools" and "Instrument search". Enter the serial number.

Alternatively, you can access the data via your smartphone:

- Download the smartphone app "VEGA Tools" from the "Apple App Store" or the "Google Play Store"
- Scan the Data Matrix code on the type label of the instrument or
- Enter the serial number manually in the app

### Scope of this operating instructions manual

This operating instructions manual applies to the following instrument versions:

- Hardware version from 1.0.0
- Software version from 1.0.1

### Scope of delivery

The scope of delivery encompasses:

- Radar sensor
- Hexagon socket wrench (for instruments with swivel holder)
- Documentation
  - Quick setup guide VEGAPULS 69
  - Instructions for optional instrument features
  - Ex-specific "Safety instructions" (with Ex versions)
  - if necessary, further certificates
- DVD "Software & Documents", containing
  - Operating instructions
  - Safety instructions
  - PACTware/DTM Collection
  - Driver software



#### Information:

In this operating instructions manual, the optional instrument features are described. The respective scope of delivery results from the order specification.

## 3.2 Principle of operation

### Application area

The VEGAPULS 69 is a radar sensor for continuous level measurement of bulk solids even under the most difficult process conditions and in very large measuring ranges.

It is ideal for use in high, slender silos with poorly reflecting bulk solids such as fly-ash, plastic granules or wood chips as well as internal installations that cause strong false echoes. This is made possible by its functional principle, a distance measurement through frequency shifting with an especially small beam angle.

The instrument is available with different antenna systems and accessories for virtually all applications and processes:

- Plastic horn antenna or metal-jacketed lens antenna
- Optional or integrated rinsing air connection
- Swivelling holder with seal against the process

### Functional principle

The instrument emits a continuous radar signal via its antenna. This signal is frequency modulated with a sawtooth form. The emitted signal is reflected by the medium and received by the antenna as an echo.

The frequency of the received signal always deviates from the actual emitting frequency. The frequency difference is proportional to the distance and thus to the filling height. This difference is calculated via special algorithms in the sensor electronics. The determined filling height is then converted into a corresponding output signal and outputted as the measured value.

### 3.3 Packaging, transport and storage

#### Packaging

Your instrument was protected by packaging during transport. Its capacity to handle normal loads during transport is assured by a test based on ISO 4180.

The packaging of standard instruments consists of environment-friendly, recyclable cardboard. For special versions, PE foam or PE foil is also used. Dispose of the packaging material via specialised recycling companies.

#### Transport

Transport must be carried out in due consideration of the notes on the transport packaging. Nonobservance of these instructions can cause damage to the device.

#### Transport inspection

The delivery must be checked for completeness and possible transit damage immediately at receipt. Ascertained transit damage or concealed defects must be appropriately dealt with.

#### Storage

Up to the time of installation, the packages must be left closed and stored according to the orientation and storage markings on the outside.

Unless otherwise indicated, the packages must be stored only under the following conditions:

- Not in the open
- Dry and dust free
- Not exposed to corrosive media
- Protected against solar radiation
- Avoiding mechanical shock and vibration

#### Storage and transport temperature

- Storage and transport temperature see chapter "*Supplement - Technical data - Ambient conditions*"
- Relative humidity 20 ... 85 %

### 3.4 Accessories and replacement parts

#### PLICSCOM

The display and adjustment module PLICSCOM is used for measured value indication, adjustment and diagnosis. It can be inserted into the sensor or the external display and adjustment unit and removed at any time.

You can find further information in the operating instructions "*Display and adjustment module PLICSCOM*" (Document-ID 27835).

#### VEGACONNECT

The interface adapter VEGACONNECT enables the connection of communication-capable instruments to the USB interface of a PC. For

parameter adjustment of these instruments, the adjustment software PACTware with VEGA-DTM is required.

You can find further information in the operating instructions "*Interface adapter VEGACONNECT*" (Document-ID 32628).

### VEGADIS 81

The VEGADIS 81 is an external display and adjustment unit for VEGA plics® sensors.

For sensors with double chamber housing the interface adapter "*DISADAPT*" is also required for VEGADIS 81.

You can find further information in the operating instructions "*VEGADIS 81*" (Document-ID 43814).

### DISADAPT

The adapter "*DISADAPT*" is an accessory part for sensors with double chamber housings. It enables the connection of VEGADIS 81 to the sensor housing via an M12 x 1 plug.

You can find further information in the supplementary instructions "*Adapter DISADAPT*" (Document-ID 45250).

### VEGADIS 82

VEGADIS 82 is suitable for measured value indication and adjustment of sensors with HART protocol. It is looped into the 4 ... 20 mA/HART signal cable.

You can find further information in the operating instructions "*VEGADIS 82*" (Document-ID 45300).

### PLICSMOBILE T61

PLICSMOBILE T61 is an external GSM/GPRS radio unit for transmission of measured values and for remote parameter adjustment of plics® sensors. Adjustment is carried out via PACTware/DTM and the integrated USB connection.

You can find further information in the supplementary instructions "*PLICSMOBILE T61*" (Document-ID 37700).

### PLICSMOBILE

PLICSMOBILE is an internal GSM/GPRS radio unit for transmission of measured values and for remote parameter adjustment of plics® sensors. Adjustment is carried out via PACTware/DTM and the integrated USB connection.

You can find further information in the supplementary instructions "*PLICSMOBILE GSM/GPRS radio module*" (Document-ID 36849).

### Protective cap

The protective cover protects the sensor housing against soiling and intense heat from solar radiation.

You will find additional information in the supplementary instructions manual "*Protective cover*" (Document-ID 34296).

### Flanges

Screwed flanges are available in different versions according to the following standards: DIN 2501, EN 1092-1, BS 10, ASME B 16.5, JIS B 2210-1984, GOST 12821-80.

You can find additional information in the supplementary instructions manual "*Flanges according to DIN-EN-ASME-JIS*" (Document-ID 31088).

- Flanges with plastic horn antenna** For mounting the instrument with plastic horn antenna to a socket, two flange versions are available: the combi compression flange and the adapter flange  
You can find additional information in chapter "*Mounting*" of this operating instruction.
- Mounting strap with plastic horn antenna** A mounting strap is available for mounting the instrument with plastic horn antenna to the wall or ceiling.  
You can find additional information in chapter "*Mounting*" of this operating instruction.
- Electronics module** Electronics module "VEGAPULS series 60" is a replacement part for radar sensors of VEGAPULS series 60. A different version is available for each type of signal output.  
You can find further information in the operating instructions "*Electronics module VEGAPULS series 60*" (Document-ID 36801).
- Supplementary electronics for double chamber housing** The supplementary electronics is a replacement part for sensors with double chamber housing and 4 ... 20 mA/HART - two-wire.  
You can find further information in the operating instructions "*Supplementary electronics for 4 ... 20 mA/HART - two-wire*" (Document-ID 42764).

## 4 Mounting

### 4.1 General instructions

#### Protection against moisture

Protect your instrument against moisture ingress through the following measures:

- Use the recommended cable (see chapter "*Connecting to power supply*")
- Tighten the cable gland
- Loop the connection cable downward in front of the cable gland

This applies particularly to:

- Outdoor mounting
- Installations in areas where high humidity is expected (e.g. through cleaning processes)
- Installations on cooled or heated vessels

#### Suitability for the process conditions

Make sure that all parts of the instrument exposed to the process are suitable for the existing process conditions.

These are mainly:

- Active measuring component
- Process fitting
- Process seal

Process conditions are particularly:

- Process pressure
- Process temperature
- Chemical properties of the medium
- Abrasion and mechanical influences

You can find detailed information on the process conditions in chapter "*Technical data*" as well as on the type label.

#### Protective caps

In the case of instrument housings with self-sealing NPT threads, it is not possible to have the cable entries screwed in at the factory. The free openings for the cable glands are therefore covered with red dust protective caps as transport protection.

Prior to setup you have to replace these protective caps with approved cable glands or close the openings with suitable blind plugs.

#### Radio conformance - only for installations in USA and Canada

The mounting position and orientation of the sensor must be in conformance with the restrictions set forth in Chapter "*For your Safety*", "*Radio license for USA*" "*Radio license for Canada*" of this operating instruction.

#### Mounting strap

### 4.2 Mounting versions, plastic horn antenna

The optional mounting strap allows simple mounting of the instrument on a wall, ceiling or boom. Especially with open vessels, this is a simple and effective way to align the sensor to the surface of the bulk solid material.

The following versions are available:

- Length 300 mm
- Length 170 mm

**Mounting strap - Ceiling mounting**

The instrument is normally mounted vertically with a bracket on the ceiling.

This allows swivelling the sensor up to 180° for optimal orientation and rotating for optimal connection.

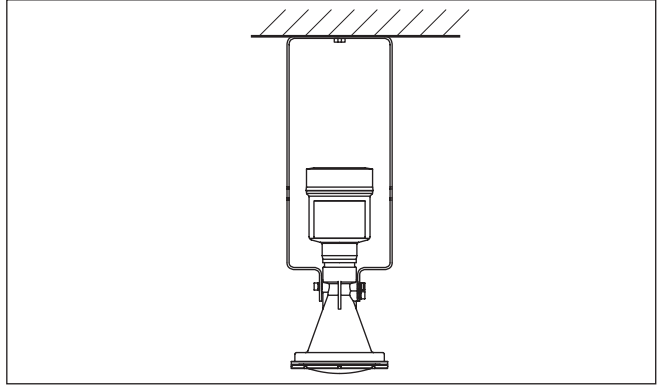


Fig. 2: Ceiling mounting via the mounting strap with length 300 mm

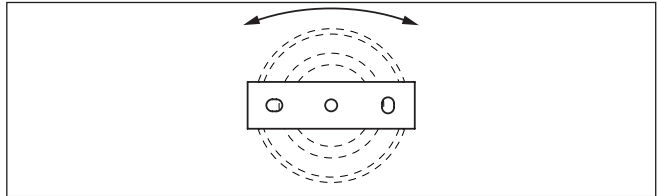


Fig. 3: Rotating with ceil mounting

**Mounting strap - Wall mounting**

As an alternative the strap mounting is carried out horizontally or obliquely.

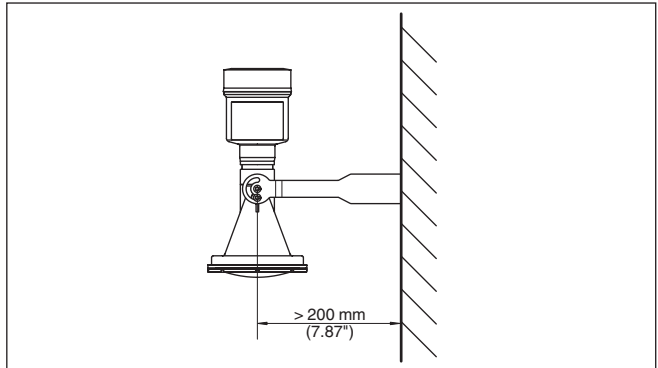


Fig. 4: Wall mounting horizontally via the mounting strap with length 170 mm

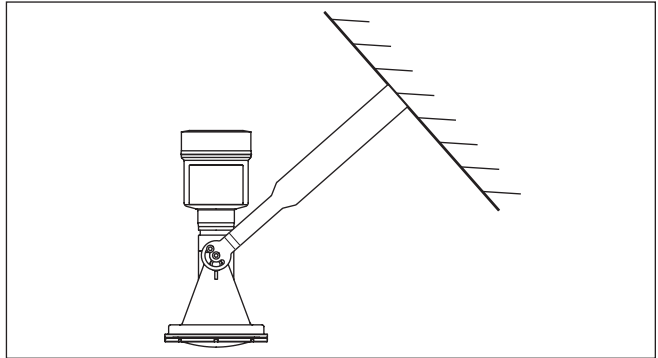


Fig. 5: Wall mounting with inclined wall via the mounting strap with length 300 mm

## Flange

Two versions are available for mounting the instrument on a socket:

- Combi compression flange fitting to DN 80 (ASME 3" and JIS 80)
- Adapter flange from DN 100 (ASME 4" or JIS 100)

The combi compression flange is suitable for different flange standards and can be used for simple applications. It comes unassembled and not sealed against the radar sensor and can thus only be used unpressurized. It can be retrofitted on instruments with single chamber housing, retrofitting to a double chamber housing is not possible.

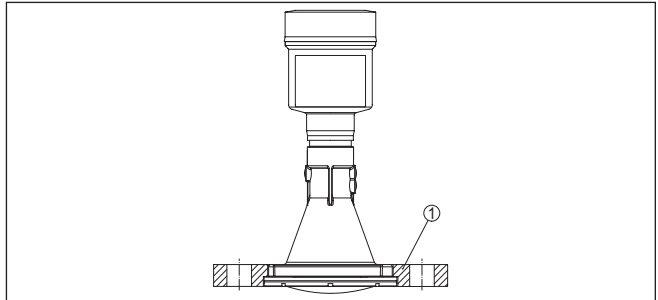


Fig. 6: Combi compression flange

1 Combi compression flange

The adapter flange is available in different flange sizes. It is permanently connected with the radar sensor and sealed.



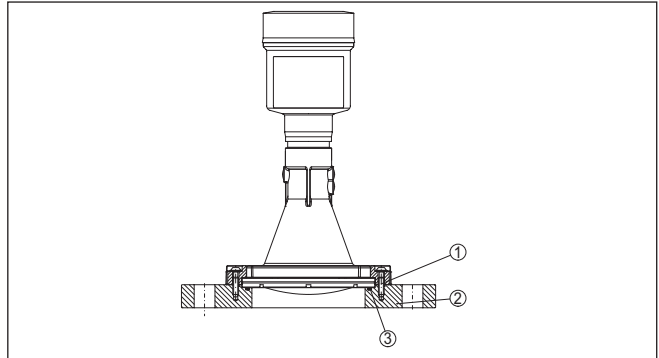


Fig. 7: Adapter flange

- 1 Connection screw
- 2 Adapter flange
- 3 Process seal

You can find drawings of these mounting options in chapter "Dimensions".

### 4.3 Mounting preparations, mounting strap

The mounting strap is supplied unassembled (optionally) and must be screwed to the sensor before setup with three hexagon socket screws M5 x 10 and spring washers. Max. torque, see chapter "Technical data". Required tools: Allen wrench size 4.

There are two different variants of screwing the strap to the sensor, see following illustration:

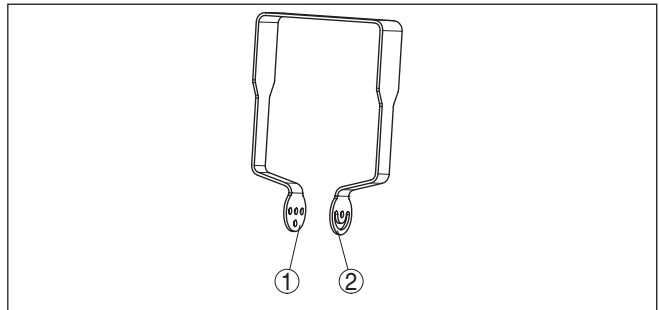


Fig. 8: Mounting strap for screwing to the sensor

- 1 For angle of inclination in steps
- 2 For angle of inclination, infinitely variable

Depending on the selected variant, the sensor can be rotated in the strap:

- Single chamber housing
  - Angle of inclination in three steps 0°, 90° and 180°
  - Angle of inclination 180°, infinitely variable
- Double chamber housing

- Angle of inclination  $90^\circ$ , infinitely variable
- Angle of inclination in two steps  $0^\circ$  and  $90^\circ$

#### 4.4 Mounting instructions

##### Polarisation

Radar sensors for level measurement emit electromagnetic waves. The polarization is the direction of the electrical component of these waves.

The polarization direction is marked by a nose on the housing, see following drawing:

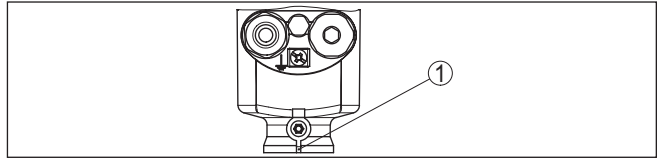


Fig. 9: Position of the polarisation

1 Nose for marking the direction of polarisation



##### Information:

When the housing is rotated, the direction of polarization changes and hence the influence of the false echo on the measured value. Please keep this in mind when mounting or making changes later.

##### Installation position

Mount the sensor at least 200 mm (7.874 in) away from the vessel wall.

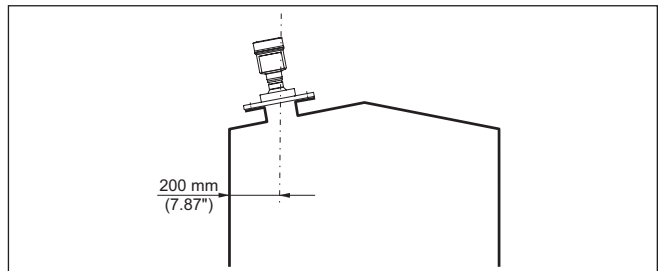


Fig. 10: Mounting the radar sensor on the vessel top

If you cannot maintain this distance, you should carry out a false signal storage during setup. This applies particularly if buildup on the vessel wall is expected. In such cases, we recommend repeating the false signal storage at a later date with existing buildup.

##### Inflowing medium

The instrument should not be mounted too close to the inflowing medium, as the radar signal could be disrupted.

##### Silo with filling from top

The optimal mounting position is opposite the filling aperture. To avoid heavy soiling, the distance to any filter or dust exhauster should be as large as possible.

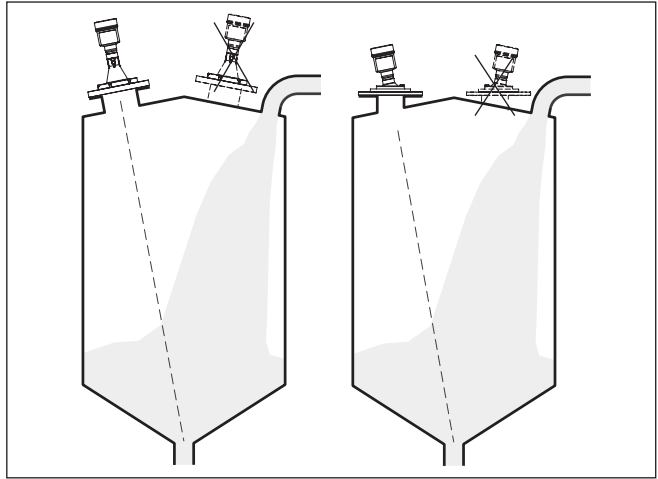


Fig. 11: Mounting of the radar sensor with inflowing medium

#### **Silo with lateral filling**

In bulk solids silos with lateral pneumatic filling the instrument should not be mounted above the filling stream, as the radar signal will be disrupted. The optimal mounting position is beside the filling aperture. To avoid heavy soiling, the distance to any filter or dust exhauster should be as large as possible.

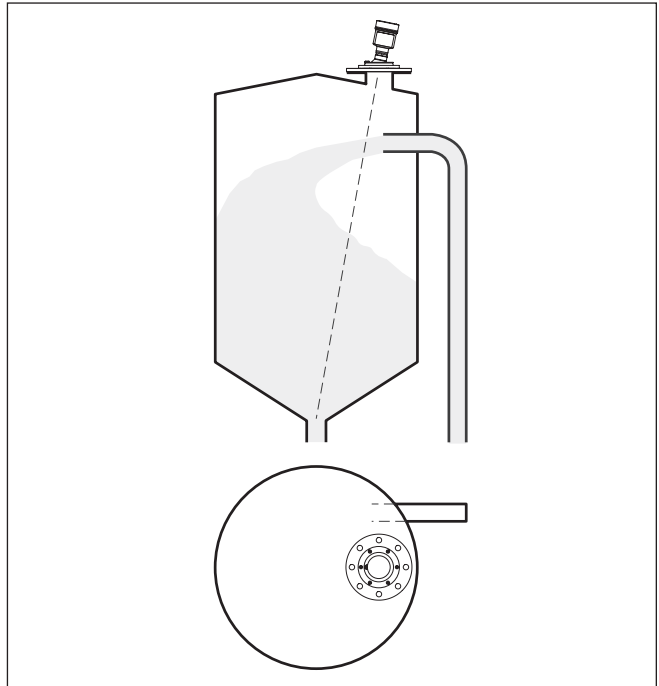


Fig. 12: Mounting of the radar sensor with inflowing medium

### Type of socket



#### Information:

The mounting socket should be as short as possible and its end rounded. This reduces false echoes from the vessel mounting socket.

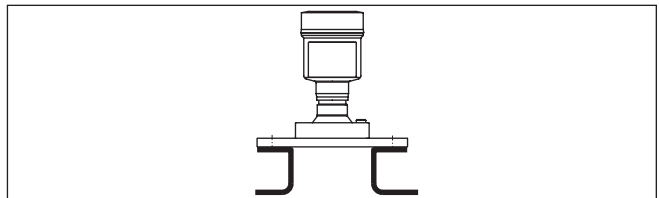


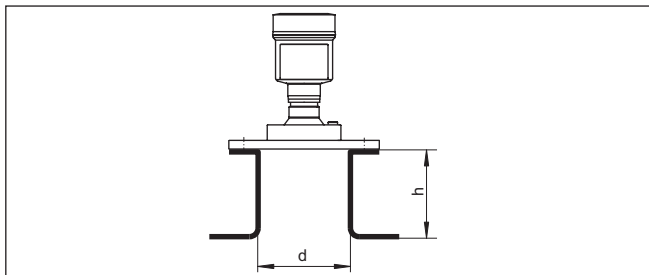
Fig. 13: Recommended socket mounting

If the medium has good reflective properties, you can also mount the VEGAPULS 69 on longer sockets. Approximate socket heights are shown in the following illustration.



#### Information:

When mounting on longer sockets, we recommend carrying out a false echo storage (see chapter "Parameter adjustment").



The below charts specify the max. pipe socket length  $h$  depending on the diameter  $d$ .

Socket diameter $d$	Socket length $h$
80 mm	$\leq 200$ mm
100 mm	$\leq 300$ mm
150 mm	$\leq 500$ mm

Socket diameter $d$	Socket length $h$
3"	$\leq 7.87$ in
4"	$\leq 11.8$ in
6"	$\leq 19.7$ in

### Orientation

In order to measure as much of the vessel volume as possible, the sensor should be aligned so that the radar signal reaches the lowest level in the vessel. In a cylindrical silo with conical outlet, the sensor is mounted anywhere from one third to one half of the vessel radius from the outside wall (see following drawing).

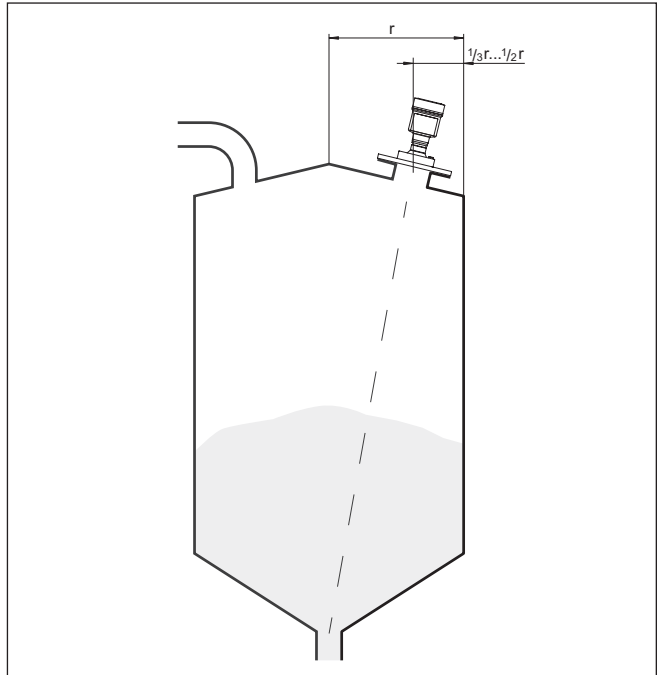


Fig. 15: Mounting position and orientation

With the help of an optional swivelling holder, the sensor can be easily aligned to the vessel centre. The necessary angle of inclination depends on the vessel dimensions. It can be easily checked with a suitable bubble tube or mechanic's level on the sensor.

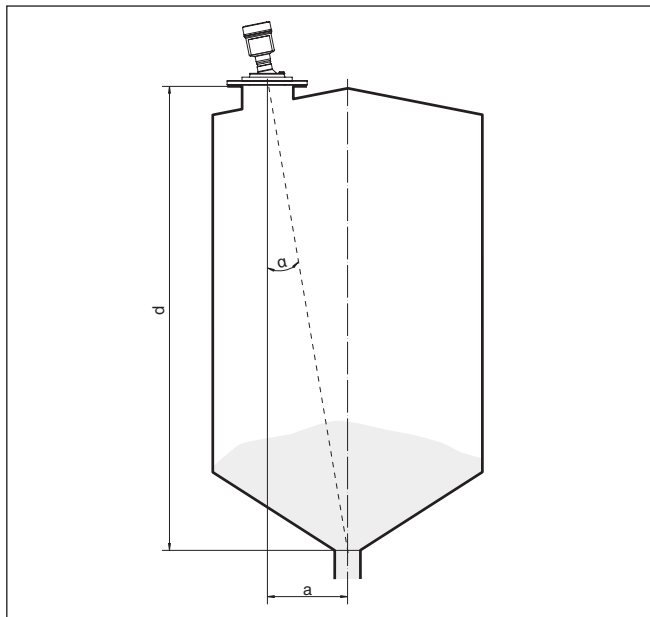


Fig. 16: Proposal for installation after orientation VEGAPULS 69

The following table shows the necessary angle of inclination. It depends on the measuring distance and the distance "a" between vessel centre and installation position.

Distance d (m)	2°	4°	6°	8°	10°
2	0.1	0.1	0.2	0.3	0.4
4	0.1	0.3	0.4	0.6	0.7
6	0.2	0.4	0.6	0.8	1.1
8	0.3	0.6	0.8	1.1	1.4
10	0.3	0.7	1.1	1.4	1.8
15	0.5	1	1.6	2.1	2.6
20	0.7	1.4	2.1	2.8	3.5
25	0.9	1.7	2.6	3.5	4.4
30	1	2.1	3.2	4.2	5.3
35	1.2	2.4	3.7	4.9	6.2
40	1.4	2.8	4.2	5.6	7.1
45	1.6	3.1	4.7	6.3	7.9
50	1.7	3.5	5.3	7	8.8
60	2.1	4.2	6.3	8.4	10.5
70	2.4	4.9	7.3	9.7	12.2

Distance d (m)	2°	4°	6°	8°	10°
80	2.8	5.6	8.4	11.1	13.9
90	3.1	6.3	9.4	12.5	15.6
100	3.5	7	10.5	13.9	17.4
110	3.8	7.7	11.5	15.3	19.1
120	4.2	8.4	12.5	16.7	20.8

**Example:**

In a vessel 20 m high, the installation position of the sensor is 1.4 m from the vessel centre.

The necessary angle of inclination of 4° can be read out from this chart.

Proceed as follows to adjust the angle of inclination with the swivelling holder:

1. Loosen the terminal screws of the swivel holder by one turn. Use a hexagon socket wrench, size 5.

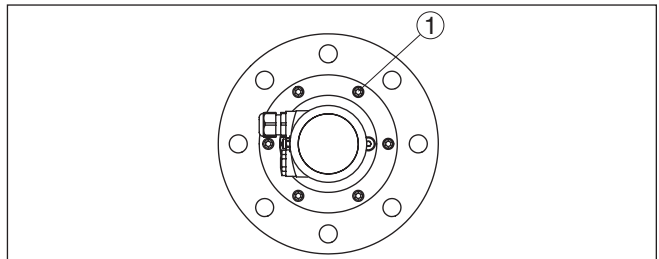


Fig. 17: VEGAPULS 69 with swivelling holder

1 Terminal screws (6 pcs.)

2. Align the sensor, check angle of inclination

**Information:**

The max. angle of inclination of the swivelling holder is approx. 10°

3. Tighten the clamping screws, torque max. 8 Nm.

**Vessel installations**

The mounting location of the radar sensor should be a place where no other equipment or fixtures cross the path of the radar signals.

Vessel installations, such as e.g. ladders, limit switches, heating spirals, struts, etc., can cause false echoes and impair the useful echo. Make sure when planning your measuring point that the radar sensor has a "clear view" to the measured product.

In case of existing vessel installations, a false echo storage should be carried out during setup.

If large vessel installations such as struts or supports cause false echoes, these can be attenuated through supplementary measures. Small, inclined sheet metal baffles above the installations scatter the radar signals and prevent direct interfering reflections.



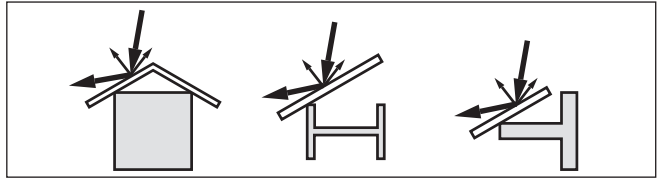


Fig. 18: Cover flat, large-area profiles with deflectors

**Material heaps**

Large material heaps are best measured with several instruments, which can be mounted on e.g. traverse cranes. For this type of application it is advantageous to orient the sensor perpendicular to the bulk solid surface.

The sensors do not influence each other.



**Information:**

Keep in mind that for these applications, the sensors are designed for relatively slow level changes. If the sensor is used on a movable boom, the max. measuring rate must be observed (see chapter "Technical data").

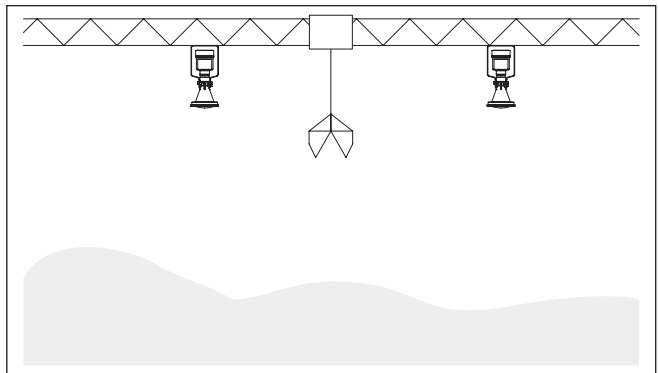


Fig. 19: Radar sensors on traverse crane

**Mounting in the vessel insulation**

Instruments for a temperature range up to 200° C have a spacer between process fitting and electronics housing. This spacer is used to thermally decouple the electronics from the high process temperatures.



**Information:**

The spacer may only be incorporated up to a maximum of 50 mm into the vessel insulation. Only then is a reliable temperature decoupling guaranteed.

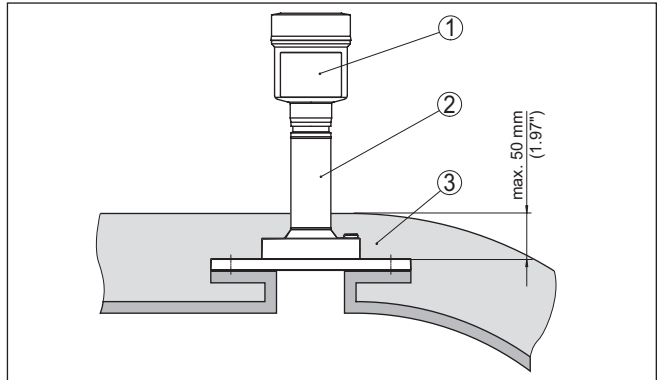


Fig. 20: Mounting the instrument on insulated vessels.

- 1 Electronics housing
- 2 Spacer
- 3 Vessel insulation

### Mounting in multiple chamber silo

The walls of multiple-chamber silos are often made of profile material, e.g. profile sheeting, to ensure the required stability. If the radar sensor is mounted very close to a heavily structured vessel wall, substantial interfering reflections can be generated. Thus the sensor should be mounted at the largest possible distance from the separating wall.

The best mounting location is on the outer wall of the silo, with the sensor pointing towards the discharge opening in the silo centre. This can be accomplished, for example, with the mounting strap.

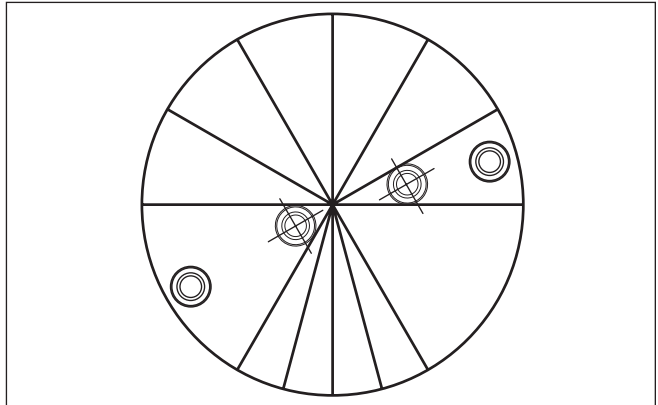


Fig. 21: Installation and orientation in multiple chamber silos

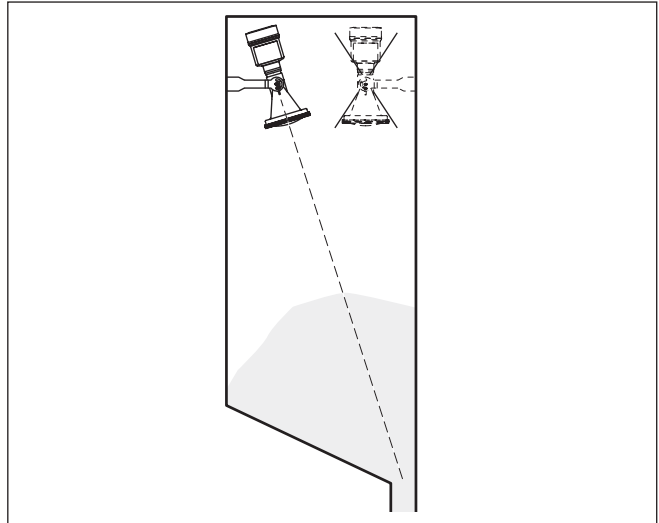


Fig. 22: Installation and orientation in multiple chamber silos

**Dust deposits - Rinsing air connection**

To avoid heavy buildup and dust on the antenna, the sensor should not be mounted close to the dust exhauster inside the vessel.

To protect the sensor against buildup, particularly in case of strong condensation, air rinsing is recommended.

**Metal-jacketed lens antenna**

The VEGAPULS 69 with metal-jacketed lens antenna is equipped with a rinsing air connection as a standard feature, see following graphics.

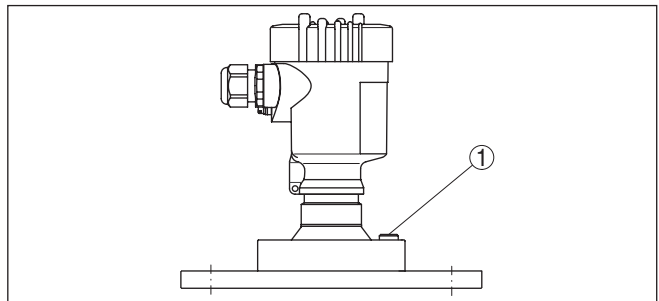


Fig. 23: Rinsing air connection on metal-jacketed lens antenna

**Plastic horn antenna**

The VEGAPULS 69 with plastic horn antenna is optionally available with a rinsing air connection. The mechanical configuration differs according to the flange version, see following graphics.

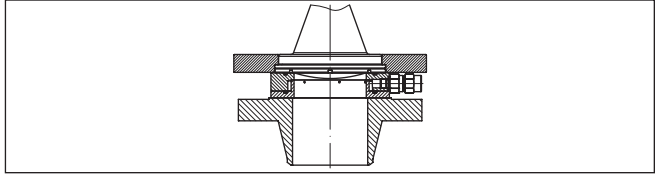


Fig. 24: Rinsing air connection with compression flange

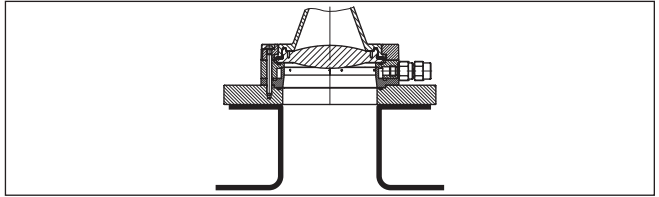


Fig. 25: Rinsing air connection with adapter flange

You can find details on the rinsing air connection in chapter "Technical data".

## 5 Connecting to power supply

### 5.1 Preparing the connection

#### Safety instructions

Always keep in mind the following safety instructions:



#### Warning:

Connect only in the complete absence of line voltage.

- The electrical connection must only be carried out by trained personnel authorised by the plant operator.
- If overvoltage surges are expected, overvoltage arresters should be installed.

#### Voltage supply

Power supply and current signal are carried on the same two-wire cable. The operating voltage can differ depending on the instrument version.

The data for power supply are specified in chapter "*Technical data*".

Provide a reliable separation between the supply circuit and the mains circuits according to DIN EN 61140 VDE 0140-1.

Keep in mind the following additional factors that influence the operating voltage:

- Lower output voltage of the power supply unit under nominal load (e.g. with a sensor current of 20.5 mA or 22 mA in case of fault)
- Influence of additional instruments in the circuit (see load values in chapter "*Technical data*")

#### Connection cable

The instrument is connected with standard two-wire cable without screen. If electromagnetic interference is expected which is above the test values of EN 61326-1 for industrial areas, screened cable should be used.

Use cable with round cross section for instruments with housing and cable gland. To ensure the seal effect of the cable gland (IP protection rating), find out which cable outer diameter the cable gland is suitable for.

Use a cable gland fitting the cable diameter.

We generally recommend the use of screened cable for HART multi-drop mode.

#### Cable gland ½ NPT

With plastic housing, the NPT cable gland or the Conduit steel tube must be screwed without grease into the threaded insert.

Max. torque for all housings see chapter "*Technical data*".

#### Cable screening and grounding

If screened cable is required, we recommend connecting the cable screen on both ends to ground potential. In the sensor, the screen must be connected directly to the internal ground terminal. The ground terminal on the outside of the housing must be connected to the ground potential (low impedance).

In Ex systems, the grounding is carried out according to the installation regulations.

## 5.2 Connecting

### Connection technology

The voltage supply and signal output are connected via the spring-loaded terminals in the housing.

Connection to the display and adjustment module or to the interface adapter is carried out via contact pins in the housing.



### Information:

The terminal block is pluggable and can be removed from the electronics. To do this, lift the terminal block with a small screwdriver and pull it out. When reinserting the terminal block, you should hear it snap in.

### Connection procedure

Proceed as follows:

1. Unscrew the housing lid
2. If a display and adjustment module is installed, remove it by turning it slightly to the left.
3. Loosen compression nut of the cable entry gland
4. Remove approx. 10 cm (4 in) of the cable mantle, strip approx. 1 cm (0.4 in) of insulation from the ends of the individual wires
5. Insert the cable into the sensor through the cable entry



Fig. 26: Connection steps 5 and 6 - Single chamber housing



Fig. 27: Connection steps 5 and 6 - Double chamber housing

6. Insert the wire ends into the terminals according to the wiring plan



**Information:**

Solid cores as well as flexible cores with wire end sleeves are inserted directly into the terminal openings. In case of flexible cores without end sleeves, press the terminal from above with a small screwdriver, the terminal opening is then free. When the screwdriver is released, the terminal closes again.

You can find further information on the max. wire cross-section under "Technical data/Electromechanical data"

7. Check the hold of the wires in the terminals by lightly pulling on them
8. Connect the screen to the internal ground terminal, connect the outer ground terminal to potential equalisation
9. Tighten the compression nut of the cable entry gland. The seal ring must completely encircle the cable
10. Reinsert the display and adjustment module, if one was installed
11. Screw the housing lid back on

The electrical connection is finished.

### 5.3 Wiring plan, single chamber housing



The following illustration applies to the non-Ex as well as to the Ex-ia version.

### Electronics and terminal compartment

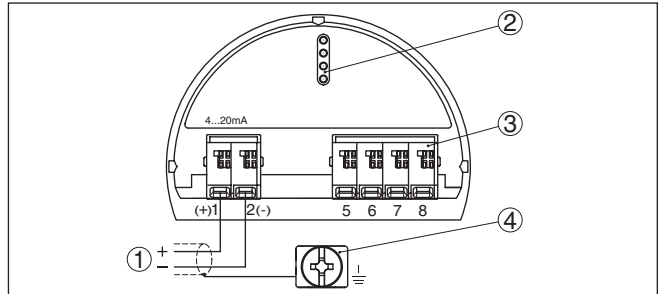


Fig. 28: Electronics and terminal compartment, single chamber housing

- 1 Voltage supply, signal output
- 2 For display and adjustment module or interface adapter
- 3 For external display and adjustment unit
- 4 Ground terminal for connection of the cable screen

### 5.4 Wiring plan, double chamber housing



The following illustrations apply to the non-Ex as well as to the Ex-ia version.

### Electronics compartment

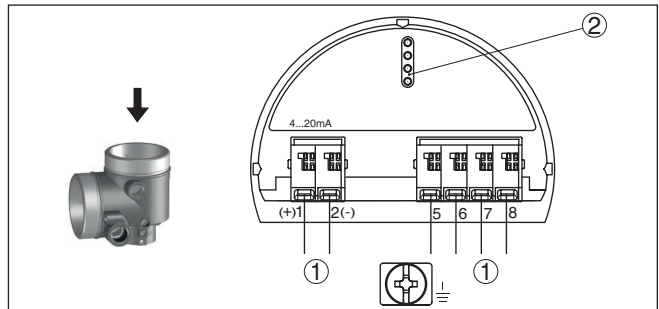


Fig. 29: Electronics compartment, double chamber housing

- 1 Internal connection to the terminal compartment
- 2 For display and adjustment module or interface adapter



Terminal compartment

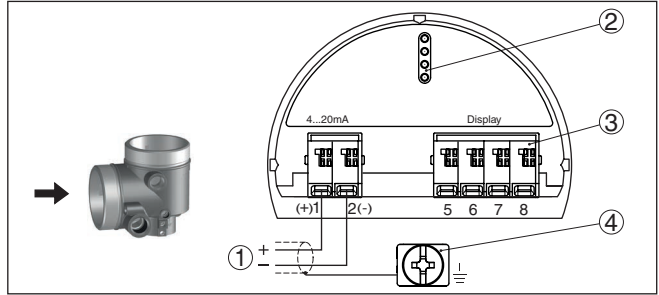


Fig. 30: Terminal compartment, double chamber housing

- 1 Voltage supply, signal output
- 2 For display and adjustment module or interface adapter
- 3 For external display and adjustment unit
- 4 Ground terminal for connection of the cable screen



Information:

Parallel use of an external display and adjustment unit and a display and adjustment module in the terminal compartment is not supported.

Connection compartment - Additional current output

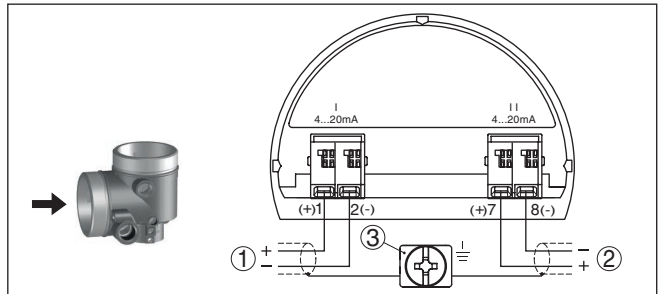


Fig. 31: Terminal compartment, double chamber housing, supplementary electronics - additional current output

- 1 First current output (I) - Voltage supply and signal output (HART)
- 2 Second current output (II) - Voltage supply and signal output (without HART)
- 3 Ground terminal for connection of the cable screen

### Terminal compartment - Radio module PLICS- MOBILE

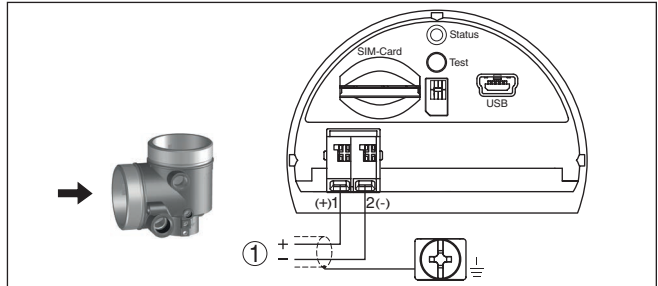


Fig. 32: Terminal compartment, radio module PLICSMOBILE

1 Voltage supply

You can find detailed information on connection in the supplementary instructions "PLICSMOBILE GSM/GPRS radio module".

## 5.5 Double chamber housing Ex d

### Electronics compartment

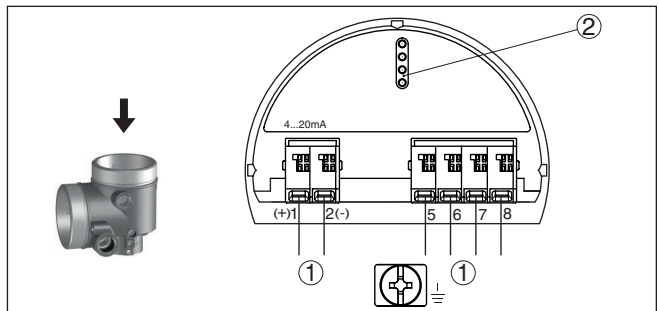


Fig. 33: Electronics compartment, double chamber housing Ex d

1 Internal connection to the terminal compartment

2 For display and adjustment module or interface adapter

Terminal compartment

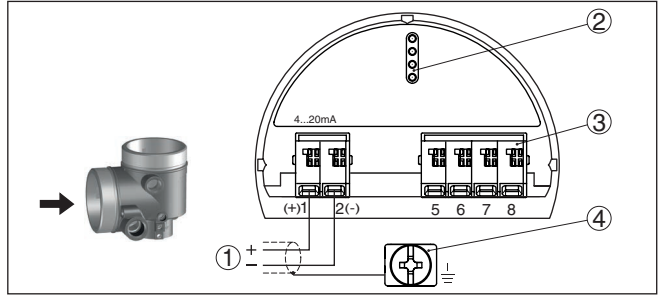


Fig. 34: Terminal compartment, double chamber housing

- 1 Voltage supply, signal output
- 2 For display and adjustment module or interface adapter
- 3 For external display and adjustment unit
- 4 Ground terminal for connection of the cable screen



**Information:**

Parallel use of an external display and adjustment unit and a display and adjustment module in the terminal compartment is not supported.

5.6 Wiring plan, double chamber housing Ex d ia

Electronics compartment

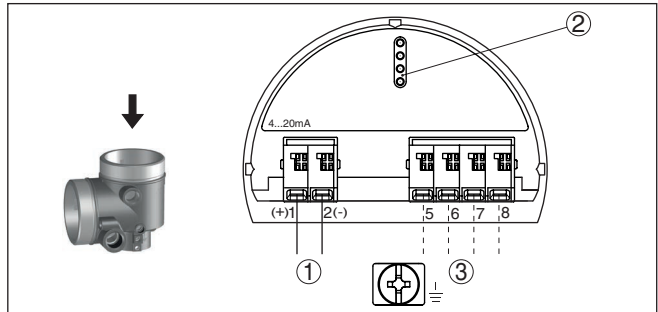


Fig. 35: Electronics compartment, double chamber housing Ex d ia

- 1 Internal connection to the terminal compartment
- 2 For display and adjustment module or interface adapter
- 3 Internal connection to the plug connector for external display and adjustment unit (optional)



**Note:**

HART multidrop mode is not possible when using an Ex-d-ia instrument.

## Terminal compartment

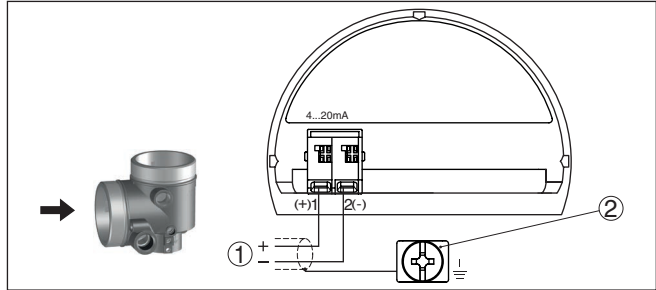


Fig. 36: Terminal compartment, double chamber housing Ex d ia

- 1 Voltage supply, signal output
- 2 Ground terminal for connection of the cable screen

### Plug M12 x 1 for external display and adjustment unit

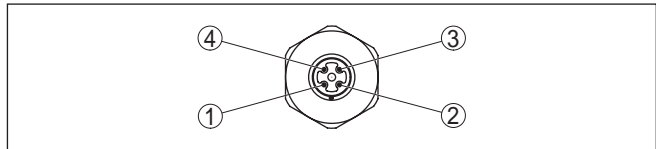


Fig. 37: Top view of the plug connector

- 1 Pin 1
- 2 Pin 2
- 3 Pin 3
- 4 Pin 4

Contact pin	Colour connection cable in the sensor	Terminal, electronics module
Pin 1	Brown	5
Pin 2	White	6
Pin 3	Blue	7
Pin 4	Black	8

### 5.7 Double chamber housing with DIS-ADAPT

#### Electronics compartment

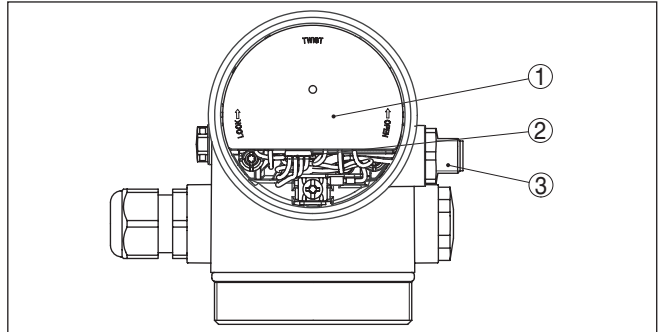


Fig. 38: View to the electronics compartment with DISADAPT for connection of the external display and adjustment unit

- 1 DISADAPT
- 2 Internal plug connection
- 3 Plug connector M12 x 1

#### Assignment of the plug connector

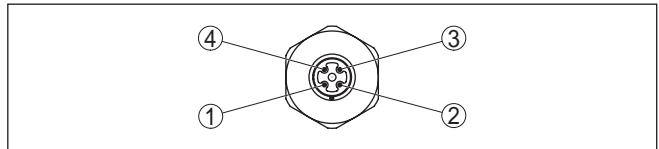


Fig. 39: View to the plug connector M12 x 1

- 1 Pin 1
- 2 Pin 2
- 3 Pin 3
- 4 Pin 4

Contact pin	Colour connection cable in the sensor	Terminal, electronics module
Pin 1	Brown	5
Pin 2	White	6
Pin 3	Blue	7
Pin 4	Black	8

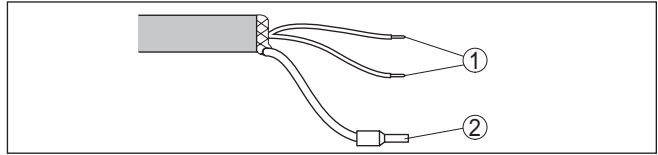
**Wire assignment, connection cable****5.8 Wiring plan - version IP 66/IP 68, 1 bar**

Fig. 40: Wire assignment in permanently connected connection cable

- 1 brown (+) and blue (-) to power supply or to the processing system
- 2 Shielding

**5.9 Switch-on phase**

After connecting the instrument to power supply or after a voltage recurrence, the instrument carries out a self-check for approx. 30 s:

- Internal check of the electronics
- Indication of the instrument type, hardware and software version, measurement loop name on the display or PC
- Indication of the status message "*F 105 Determine measured value*" on the display or PC
- The output signal jumps to the set fault current

As soon as a plausible measured value is found, the corresponding current is outputted to the signal cable. The value corresponds to the actual level as well as the settings already carried out, e.g. factory setting.

## 6 Set up with the display and adjustment module

### 6.1 Insert display and adjustment module

The display and adjustment module can be inserted into the sensor and removed again at any time. You can choose any one of four different positions - each displaced by 90°. It is not necessary to interrupt the power supply.

Proceed as follows:

1. Unscrew the housing lid
2. Place the display and adjustment module on the electronics in the desired position and turn it to the right until it snaps in.
3. Screw housing lid with inspection window tightly back on

Disassembly is carried out in reverse order.

The display and adjustment module is powered by the sensor, an additional connection is not necessary.



Fig. 41: Installing the display and adjustment module in the electronics compartment of the single chamber housing

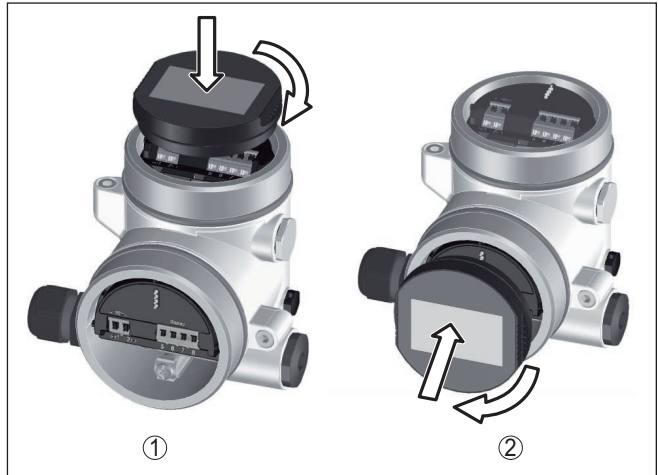


Fig. 42: Installing the display and adjustment module in the double chamber housing

- 1 In the electronics compartment
- 2 In the terminal compartment



#### Note:

If you intend to retrofit the instrument with a display and adjustment module for continuous measured value indication, a higher lid with an inspection glass is required.

## 6.2 Adjustment system

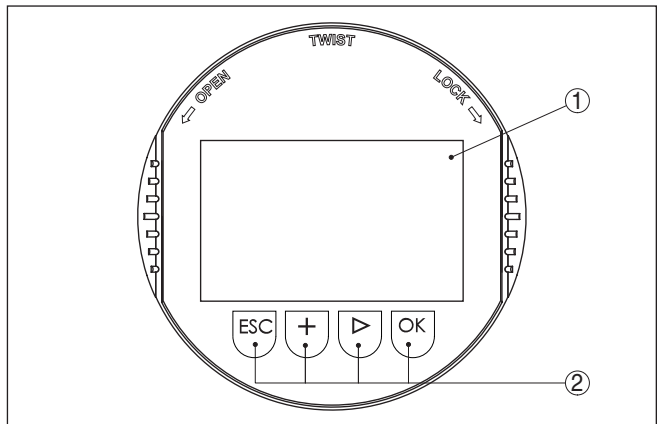


Fig. 43: Display and adjustment elements

- 1 LC display
- 2 Adjustment keys

### Key functions

- [OK] key:



- Move to the menu overview
- Confirm selected menu
- Edit parameter
- Save value
- **[>]** key:
  - Presentation, change measured value
  - Select list entry
  - Select menu items in the quick setup
  - Select editing position
- **[+]** key:
  - Change value of the parameter
- **[ESC]** key:
  - Interrupt input
  - Jump to next higher menu

### Adjustment system

You adjust the instrument via the four keys of the display and adjustment module. The individual menu items are shown on the LC display. You can find the functions of the individual keys in the previous illustration.

### Time functions

By pushing the **[+]** and **[>]** keys once, the edited value or the cursor changes by one position. By pushing the keys longer than 1 s the change will be continuously.

By pushing the **[OK]** and **[ESC]** keys simultaneously for more than 5 s, a return to the basic menu is caused. The menu language is then switched over to "English".

Approx. 60 minutes after the last pressing of a key, an automatic reset to measured value indication is triggered. Any values not confirmed with **[OK]** will not be saved.

### 6.3 Measured value indication - Selection national language

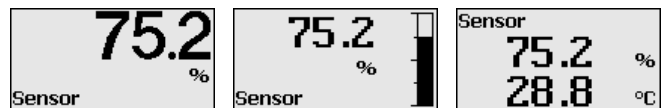
#### Measured value indication

With the **[>]** key you move between three different indication modes.

In the first view, the selected measured value is displayed in large digits.

In the second view, the selected measured value and a corresponding bar graph presentation are displayed.

In the third view, the selected measured value as well as a second selectable value, e.g. the temperature of the electronics, are displayed.



During the initial setup of an instrument shipped Ex works, use the "OK" key to get to the menu "National language".

### Selection of national language

This menu item is used to select the national language for further parameter adjustment. You can change the selection via the menu item "Setup - Display, Menu language".



With the "OK" key you move to the main menu.

## 6.4 Parameter adjustment - Quick setup

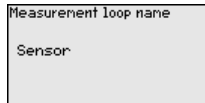
To quickly and easily adapt the sensor to the application, select the menu item "Quick setup" in the start graphic on the display and adjustment module.



Carry out the following steps with the [→] key in the below sequence. You can find "Extended adjustment" in the next sub-chapter.

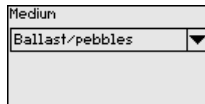
### 1. Measurement loop name

In the first menu item you assign a suitable measurement loop name. Permitted are names with max. 19 characters.



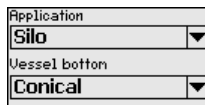
### 2. Medium

In this menu item you select the type of bulk solid. The selection comprises different granulate sizes.



### 3. Application/Vessel bottom

In this menu item you specify the application and the form of the vessel bottom.



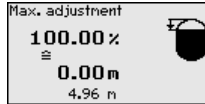
### 4. Vessel height/Measuring range

In this menu item you enter the height of the vessel and hence the active measuring range.



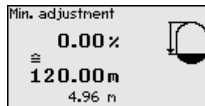
**5. Max. adjustment**

In this menu item you carry out the max. adjustment.  
Enter the measuring distance for 100 % filling.



**6. Min. adjustment**

In this menu item you carry out the min. adjustment.  
Enter the measuring distance for 0 % filling.



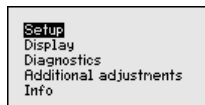
**7. Termination**

"Quick setup terminated successfully" is briefly displayed. The echo curve of the setup is stored automatically.  
The quick setup is finished.

The return to the measured value indication is carried out through the [->] or [ESC] keys or automatically after 3 s

**6.5 Parameter adjustment - Extended adjustment**

The main menu is divided into five sections with the following functions:



**Setup:** Settings, e.g., for measurement loop name, units, application, adjustment, signal output

**Display:** Settings, e.g., for language, measured value display, lighting

**Diagnosis:** Information, for example, of device status, peak value, simulation, echo curve

**Additional adjustments:** Date/Time, reset, copy function, scaling, current output, false signal suppression, linearization, HART mode, special parameters

**Info:** Instrument name, hardware and software version, calibration date, instrument features

In the main menu point "Setup", the individual submenu points should be selected one after the other and provided with the correct

**Main menu**

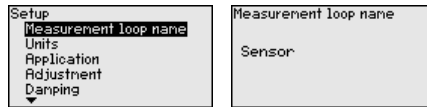
parameters to ensure optimum adjustment of the measurement. The procedure is described in the following.

### Setup - Measurement loop name

Here you can assign a suitable measurement loop name. Push the "OK" key to start the editing. With the "+" key you change the sign and with the "->" key you jump to the next position.

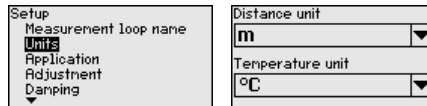
You can enter names with max. 19 characters. The character set comprises:

- Capital letters from A ... Z
- Numbers from 0 ... 9
- Special characters + - / \_ blanks



### Setup - Units

In this menu item you select the distance unit and the temperature unit.



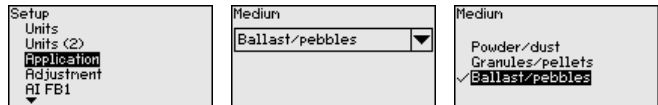
For the distance units you can choose between m, in and ft and for the temperature units °C, °F and K.

### Setup - Application

With this menu item, the sensor can be optimally adapted to the application, the installation location or the measurement conditions. It includes selection options for medium, application as well as vessel height/measuring range.

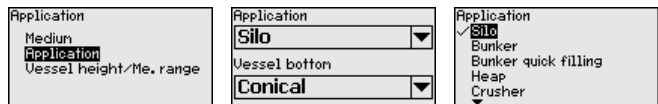
#### Medium:

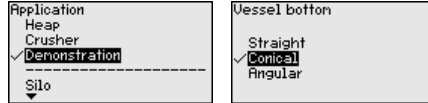
Every medium has a different reflective behaviour. With this selection, the sensor can be perfectly adapted to the medium and measurement reliability, particularly with media with poor reflective properties, is considerably increased.



#### Application:

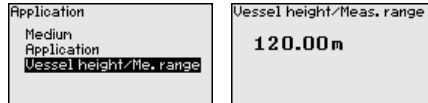
Depending on the type of bulk solids application, material cones and additional echoes from the vessel wall or bottom can become further interfering factors. Through this selection, the sensor is adapted perfectly to the application.





**Vessel height/Measuring range:**

The VEGAPULS 69 is a radar sensor for bulk solids in high, slender vessels. It covers a measuring range of up to 120 m. This menu item allows a limitation of the active measuring range in which the sensor searches for level echoes.



**Information:**

The min. adjustment must be carried out independently of this.

The following features form the basis of the applications:

**Silo (slender and high):**

- Vessel of metal: weld joints
- Process/measurement conditions:
  - Filling aperture too close to the sensor
  - System noise in completely empty silo increased
- Properties, sensor:
  - Stable measured values through higher averaging
  - False signal suppression during setup recommended, required for automatic false signal suppression
  - Automatic false signal suppression with partly filled vessel<sup>1)</sup>

**Bunker (large-volume):**

- Vessel of concrete or metal:
  - Structured vessel walls
  - Installations present
- Process/measurement conditions:
  - Large distance to the medium
  - Large angles of repose
- Properties, sensor:
  - Mean averaging
  - High measured value jumps are accepted

**Bunker with fast filling:**

- Vessel of concrete or metal, also multiple chamber silo:
  - Structured vessel walls
  - Installations present
- Process/measurement conditions:
  - Measured value jumps, e.g. through truck loading

<sup>1)</sup> The instrument recognizes if a manual false signal suppression was carried out with empty vessel and high system noise. An automatic false signal suppression is then carried out if a product echo was detected at the beginning of the filling process.

- Large distance to the medium
- Large angles of repose
- Properties, sensor:
  - Lower averaging
  - Very high measured value jumps are accepted

**Heap:**

- Sensor mounting on movable conveyor belts
- Detection of the heap profile
- Height detection during filling
- Process/measurement conditions:
  - Measured value jumps, e.g. by the profile of the heap or traverses
  - Large angles of repose
  - Measurement near the filling stream
- Properties, sensor:
  - Mean averaging
  - High measured value jumps are accepted

**Crusher:**

- Vessel: installations, wear and protective facilities available
- Process/measurement conditions:
  - Measured value jumps, e.g. through truck loading
  - Fast reaction time
  - Large distance to the medium
- Properties, sensor:
  - Little averaging
  - Max. reaction speed, very high measured value jumps are accepted

**Demonstration:**

- Adjustment for all applications which are not typically level measurement
  - Instrument demonstration
  - Object recognition/monitoring (additional settings required)
- Properties, sensor:
  - Sensor accepts all measured value changes within the measuring range immediately
  - High sensitivity against interferences, because virtually no averaging

Enter the requested parameters via the appropriate keys, save your settings with **[OK]** and jump to the next menu item with the **[ESC]** and the **[->]** key.

**Setup - Adjustment**

Since the radar sensor is a distance measuring instrument, the distance from the sensor to the product surface is measured. For indication of the real level, an allocation of the measured distance to the percentage height must be carried out.

To perform the adjustment, enter the distance with full and empty vessel, see the following example:

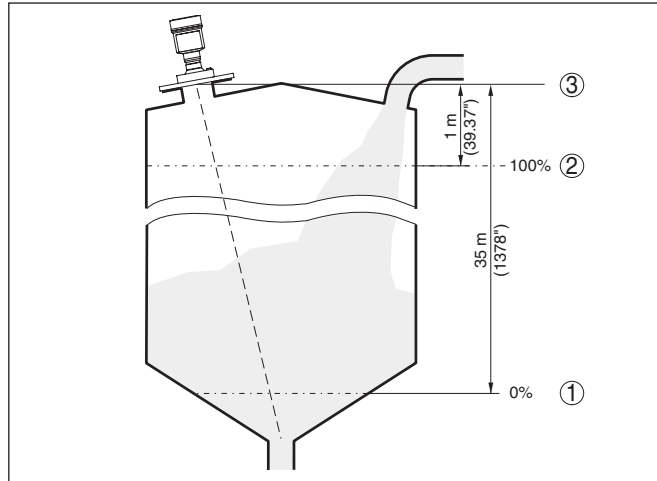


Fig. 44: Parameter adjustment example min./max. adjustment

- 1 Min. level = max. measuring distance
- 2 Max. level = min. measuring distance
- 3 Reference plane

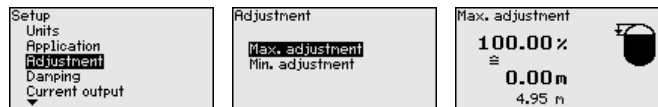
If these values are not known, an adjustment with the distances of for example 10 % and 90 % is possible. Starting point for these distance specifications is always the seal surface of the thread or flange. You can find specifications of the reference plane in chapter "Technical data". By means of these settings, the real level will be calculated.

The real product level during this adjustment is not important, because the min./max. adjustment is always carried out without changing the product level. These settings can be made ahead of time without the instrument having to be installed.

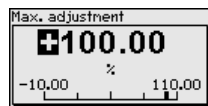
**Setup - Max. adjustment**

Proceed as follows:

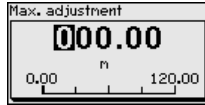
- 1. Select with **[->]** the menu item Max. adjustment and confirm with **[OK]**.



- 2. Prepare the percentage value for editing with **[OK]** and set the cursor to the requested position with **[->]**.



- 3. Set the requested percentage value with **[+]** and save with **[OK]**. The cursor jumps now to the distance value.

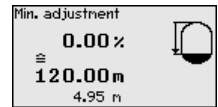
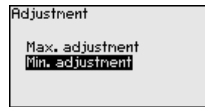
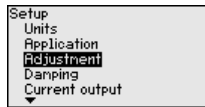


- For the full vessel, enter the distance value in m matching the percentage value.
- Save settings with **[OK]** and move with **[ESC]** and **[->]** to Min. adjustment.

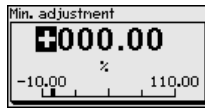
### Setup - Min. adjustment

Proceed as follows:

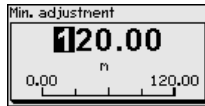
- Select with **[->]** the menu item "Min. adjustment" and confirm with **[OK]**.



- Edit the percentage value with **[OK]** and set the cursor to the requested position with **[->]**.



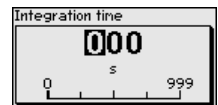
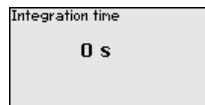
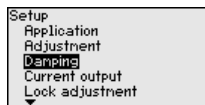
- Set the requested percentage value with **[+]** and save with **[OK]**. The cursor jumps now to the distance value.



- Enter the suitable distance value in m for the empty vessel (e.g. distance from the sensor to the vessel bottom) corresponding to the percentage value.

### Setup - Damping

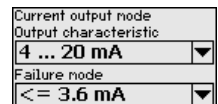
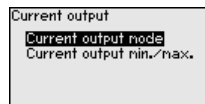
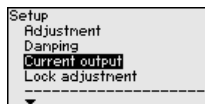
To damp process-dependent measured value fluctuations, set an integration time of 0 ... 999 s in this menu item.



The default setting is a damping of 0 s.

### Setup - Current output mode

In the menu item "Current output mode" you determine the output characteristics and reaction of the current output in case of failure.

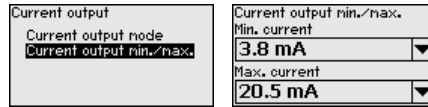


The default setting is output characteristics 4 ... 20 mA, failure mode < 3.6 mA.



## Setup - Current output Min./Max.

In the menu item "Current output Min./Max.", you determine the reaction of the current output during operation.



The default setting is min. current 3.8 mA and max. current 20.5 mA.

## Lock/unlock setup - Adjustment

In the menu item "Lock/unlock adjustment", you can protect the sensor parameters against unauthorized or inadvertent modification. The PIN is activated/deactivated permanently.

With active PIN, only the following adjustment functions are possible without entering a PIN:

- Select menu items and show data
- Read data from the sensor into the display and adjustment module.

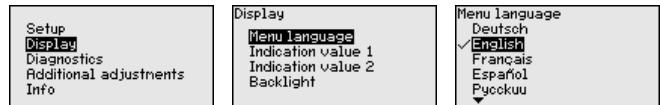


### Caution:

With active PIN, adjustment via PACTware/DTM as well as other systems is also blocked.

## Display - Menu language

This menu item enables the setting of the requested national language.



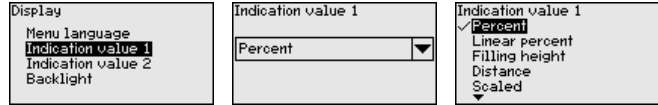
The following languages are available:

- German
- English
- French
- Spanish
- Russian
- Italian
- Dutch
- Portuguese
- Japanese
- Chinese
- Polish
- Czech
- Turkish

In the delivery status, the VEGAPULS 69 is set to the ordered national language.

### Display - Displayed value 1 and 2

In this menu item you can define the way measured values are indicated on the display.



The default setting for the display value is "Percent".

### Display - Backlight

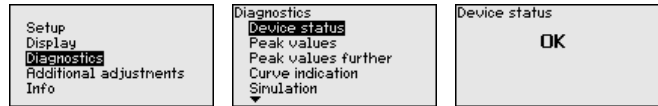
The display and adjustment module has a backlight for the display. In this menu item you can switch the lighting on or off. You can find the required operating voltage in chapter "Technical data".



In delivery status, the lighting is switched on.

### Diagnostics - Device status

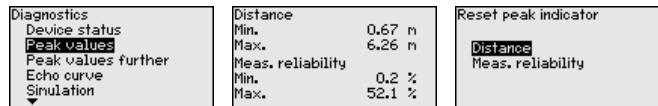
In this menu item, the device status is displayed.



### Diagnosis - Peak value

The min. and max. measured value, the measurement reliability as well as the min. and max. electronics temperature are stored in the sensor. The values are displayed in the menu item "Peak value".

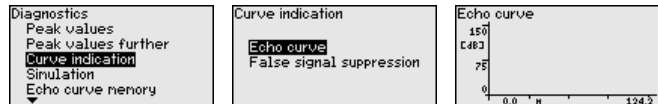
A reset menu is opened with the [OK] key in the respective peak value window:



With the [OK] key in the reset menu, the peak values are reset to the actual measured value.

### Diagnoses - Curve indication

The "Echo curve" shows the signal strength of the echoes over the measuring range in dB. The signal strength enables an evaluation of the quality of the measurement.

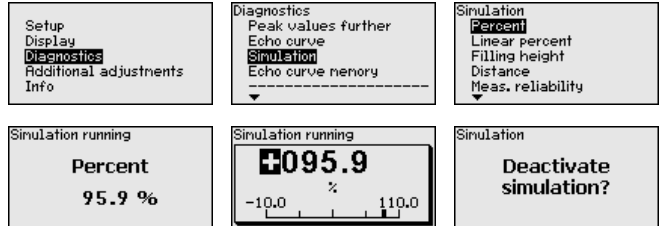


The selected curve is continuously updated. A submenu with zoom functions is opened with the [OK] key:

- "X-Zoom": Zoom function for the meas. distance
- "Y-Zoom": 1, 2, 5 and 10x signal magnification in "dB"
- "Unzoom": Reset the presentation to the nominal measuring range without magnification

**Diagnosis - Simulation**

In this menu item you can simulate measured values via the current output. This allows the signal path to be tested, e.g. through downstream indicating instruments or the input card of the control system.



Select the requested simulation variable and set the requested value.



**Caution:**

During simulation, the simulated value is outputted as 4 ... 20 mA current value and as digital HART signal. The status message within the context of the asset management function is "Maintenance".

Push the [ESC] key to deactivate the simulation.



**Information:**

The simulation is terminated automatically 60 minutes after the last key has been pressed.

**Diagnostics - Echo curve memory**

The function "Setup" allows the echo curve to be saved at the time of setup.

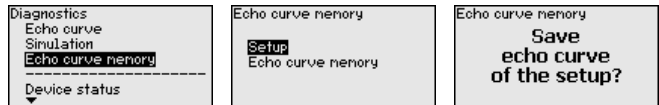


**Information:**

This is generally recommended, however, for use of the Asset Management functions it is absolutely necessary. Saving should be carried out with a very low level.

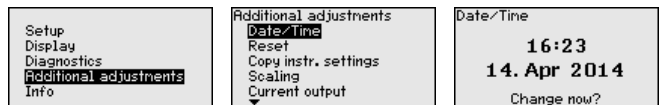
The function "Echo curve memory" allows up to ten individual echo curves to be stored, for example to detect the measurement behaviour of the sensor in different operating conditions.

With the adjustment software PACTware and the PC, the stored echo curves can be displayed with high resolution and used to recognize signal changes over time. In addition, the echo curve saved during setup can also be displayed in the echo curve window and compared with the actual echo curve.



**Additional adjustments - Date Time**

In this menu item, the internal clock of the sensor is set to the requested time and time format. At the time of shipment from factory, the instrument is set to CET (Central European Time).



## Additional adjustments - Reset

During a reset, the parameter settings carried out by the user are reset to the default values (see below table).

Proceed as follows:

1. Select with **[->]** under "Additional adjustments" the menu item "Reset" and confirm with **[OK]**.



2. Confirm with **[OK]** and select the requested reset function with **[->]**



3. Confirm with **[OK]**, for approx. 5 s the message "Resetting" is displayed, then the selection window appears.



### Caution:

For the duration of the reset, the set trouble signal is outputted via the current output. Within the context of the asset management function, the message "Maintenance" is outputted.

The following reset functions are available:

**Delivery status:** Restores the parameter settings at the time of shipment from the factory, incl. the order-specific settings. Any created false signal suppression, user-programmable linearization curve as well as measured value and echo curve memory is deleted. The event and parameter modification memories remain unaffected.

**Basic settings:** Resets the parameter settings, incl. special parameters, to the default values of the respective instrument. Any stored false signal suppression or user programmable linearisation curve, as well as the measured value memory, is deleted. Order-related settings are not taken over into the current parameters after this reset.

The following table shows the scope of the reset function and the default values of the instrument:

Menu	Menu item	Default value
Setup	Measurement loop name	Sensor
	Units	Distance in m Temperature in °C
	Application	Medium: Crushed stones/gravel Application: Silo Vessel bottom: Flat Vessel height/Measuring range: 120 m
	Min. adjustment	120 m
	Max. adjustment	0,000 m(d)
	Damping	0.0 s
	Current output mode	Output characteristics: 4 ... 20 mA Failure mode: < 3.6 mA ▼
	Current output Min./Max.	Min. current: 3.8 mA Max. current: 20.5 mA
Display	Displayed value 1	Filling height
	Displayed value 2	Temperature
	Backlight	Switched off
Additional adjustments	Date/Time	Time format: 24 h
	Scaling size	Volume l
	Scaling format	100.00 lin %, 100 l 0.00 lin %, 0 l
	Current output 1 and 2 size	Lin %
	Current output 1 and 2 adjustment	100.00 %, 100 l 0.00 %, 0 l
	Linearization	Linear
	HART mode	HART address: 0 Loop current mode: Analogue current output

**Additional adjustments - Copy instrument settings**

The instrument settings are copied with this function. The following functions are available:

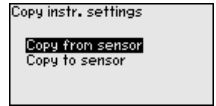
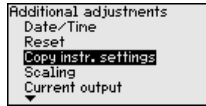
**Read from sensor:** Read data from sensor and store into the display and adjustment module

**Write into sensor:** Store data from the display and adjustment module back into the sensor

The following data or settings for adjustment of the display and adjustment module are saved:

- All data of the menu "Setup" and "Display"

- The menu items "Reset, Date/Time" in the menu "Additional settings"
- The user-programmable linearization curve



The copied data are permanently saved in an EEPROM memory in the display and adjustment module and remain there even in case of power failure. From there, they can be written into one or more sensors or kept as backup for a possible electronics exchange.

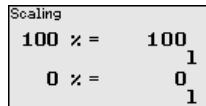
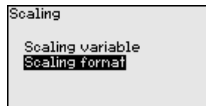
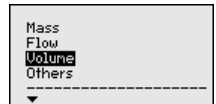
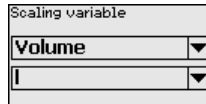
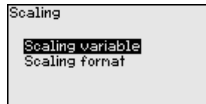


**Note:**

Before the data are saved in the sensor, a safety check is carried out to determine if the data match the sensor. In the process the sensor type of the source data as well as the target sensor are displayed. If the data do not match, a fault message is outputted or the function is blocked. The data are saved only after release.

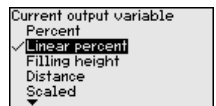
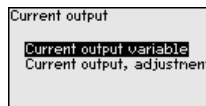
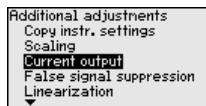
**Additional settings - Scaling**

In the menu item "Scaling" you define the scaling variable and the scaling format for the indication of the level measured value for 0 % and 100 % on the display, for example as volume in l.



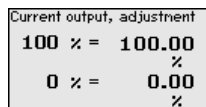
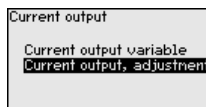
**Additional settings - Current output 1 and 2 (size)**

In menu item "Current output, variable" you specify which measured variable the current output refers to.



**Additional settings - Current output 1 and 2 (adjustment)**

In menu item "Current output, adjustment" you can assign a respective measured value to the current output.



**Additional adjustments - False signal suppression**

The following circumstances cause interfering reflections and can influence the measurement:

- High sockets
- Vessel installations such as struts

- Agitators
- Buildup or welded joints on vessel walls



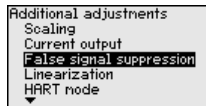
**Note:**

A false signal suppression detects, marks and saves these false signals so that they are no longer taken into account in the level measurement.

This should be done with a low level so that all potential interfering reflections can be detected.

Proceed as follows:

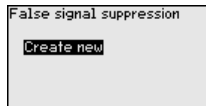
1. Select with [**->**] the menu item "*False signal suppression*" and confirm with [**OK**].



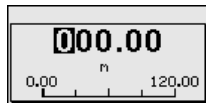
2. Confirm again with [**OK**].



3. Confirm again with [**OK**].



4. Confirm again with [**OK**] and enter the actual distance from the sensor to the product surface.



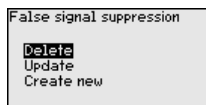
5. All interfering signals in this section are detected by the sensor and stored after confirming with [**OK**].



**Note:**

Check the distance to the product surface, because if an incorrect (too large) value is entered, the existing level will be saved as a false signal. The level would then no longer be detectable in this area.

If a false signal suppression has already been saved in the sensor, the following menu window appears when selecting "*False signal suppression*":

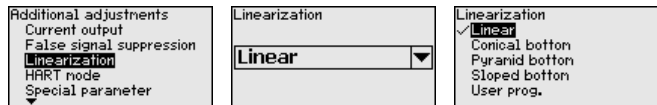


**Delete:** An already created false signal suppression will be completely deleted. This is useful if the saved false signal suppression no longer matches the metrological conditions in the vessel.

**Extend:** is used to extend an already created false signal suppression. This is useful if a false signal suppression was carried out with a too high level and not all false signals could be detected. When selecting "Extend", the distance to the product surface of the created false signal suppression is displayed. This value can now be changed and the false signal suppression can be extended to this range.

### Additional adjustments - Linearization

A linearization is necessary for all vessels in which the vessel volume does not increase linearly with the level. Corresponding linearization curves are preprogrammed for these vessels. They represent the correlation between the level percentage and vessel volume. The linearization applies to the measured value indication and the current output.



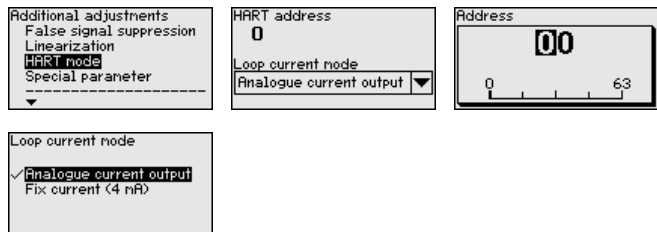
### Additional adjustments - HART mode

In this menu item you determine the HART mode and enter the address for multidrop mode.

In the mode "Fixed current output" up to 63 sensors can be operated on one two-wire cable (Multidrop operation). An address between 0 and 63 must be assigned to each sensor.

When choosing the function "Analogue current output", then a 4 ... 20 mA signal is outputted in multidrop mode.

With the mode "Fixed current (4 mA)" a fixed 4 mA signal is outputted independently of the actual level.



The default setting is "Analogue current output" and the address "00".

### Additional adjustments - Special parameters

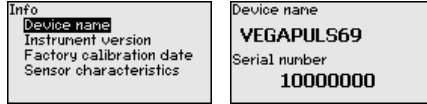
In this menu item you gain access to the protected area where you can enter special parameters. In exceptional cases, individual parameters can be modified in order to adapt the sensor to special requirements.

Change the settings of the special parameters only after having contacted our service staff.

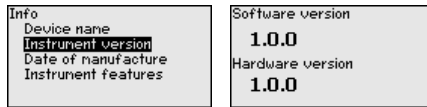




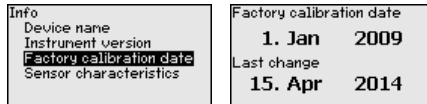
**Info - Instrument name** In this menu item, you can read out the instrument name and the instrument serial number:



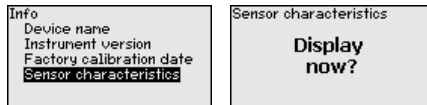
**Info - Instrument version** In this menu item, the hardware and software version of the sensor is displayed.



**Info - Factory calibration date** In this menu item, the date of factory calibration of the sensor as well as the date of the last change of sensor parameters are displayed via the display and adjustment module or via the PC.



**Info - Sensor characteristics** In this menu item, the features of the sensor such as approval, process fitting, seal, measuring range, electronics, housing and others are displayed.



## 6.6 Saving the parameter adjustment data

We recommended noting the adjusted data, e.g. in this operating instructions manual, and archiving them afterwards. They are thus available for multiple use or service purposes.

If the instrument is equipped with a display and adjustment module, the data in the sensor can be saved in the display and adjustment module. The procedure is described in the operating instructions manual "Display and adjustment module" in the menu item "Copy sensor data". The data remain there permanently even if the sensor power supply fails.

The following data or settings for adjustment of the display and adjustment module are saved:

- All data of the menu "Setup" and "Display"

- In the menu "*Additional settings*" the items "*Sensor-specific units, temperature unit and linearization*"
- The values of the user programmable linearization curve

The function can also be used to transfer settings from one instrument to another instrument of the same type. If it is necessary to exchange a sensor, the display and adjustment module is inserted into the replacement instrument and the data are likewise written into the sensor via the menu item "*Copy sensor data*".

## 7 Setup with PACTware

### 7.1 Connect the PC

Via the interface adapter directly on the sensor

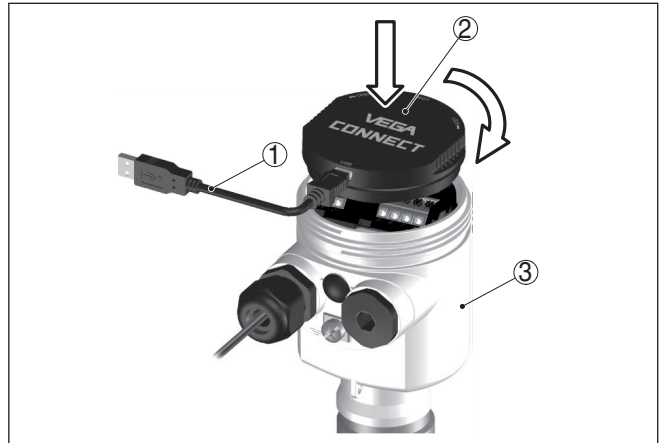


Fig. 45: Connection of the PC directly to the sensor via the interface adapter

- 1 USB cable to the PC
- 2 Interface adapter VEGACONNECT
- 3 Sensor

Via the interface adapter and HART

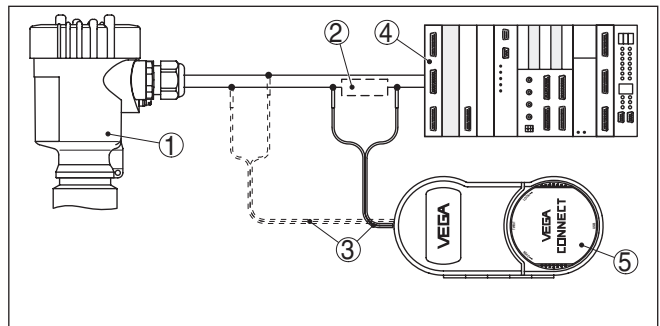


Fig. 46: Connecting the PC via HART to the signal cable

- 1 Sensor
- 2 HART resistance 250  $\Omega$  (optional depending on processing)
- 3 Connection cable with 2 mm pins and terminals
- 4 Processing system/PLC/Voltage supply
- 5 Interface adapter, for example VEGACONNECT 4



**Note:**

With power supply units with integrated HART resistance (internal resistance approx. 250  $\Omega$ ), an additional external resistance is not necessary. This applies, e.g. to the VEGA instruments VEGATRENN 149A, VEGAMET 381, VEGAMET 391. Common Ex separators are also usually equipped with a sufficient current limitation resistance. In

such cases, the interface converter can be connected parallel to the 4 ... 20 mA cable (dashed line in the previous illustration).

## 7.2 Parameter adjustment

### Prerequisites

For parameter adjustment of the instrument via a Windows PC, the configuration software PACTware and a suitable instrument driver (DTM) according to FDT standard are required. The latest PACTware version as well as all available DTMs are compiled in a DTM Collection. The DTMs can also be integrated into other frame applications according to FDT standard.



#### Note:

To ensure that all instrument functions are supported, you should always use the latest DTM Collection. Furthermore, not all described functions are included in older firmware versions. You can download the latest instrument software from our homepage. A description of the update procedure is also available in the Internet.

Further setup steps are described in the operating instructions manual "DTM Collection/PACTware" attached to each DTM Collection and which can also be downloaded from the Internet. Detailed descriptions are available in the online help of PACTware and the DTMs.

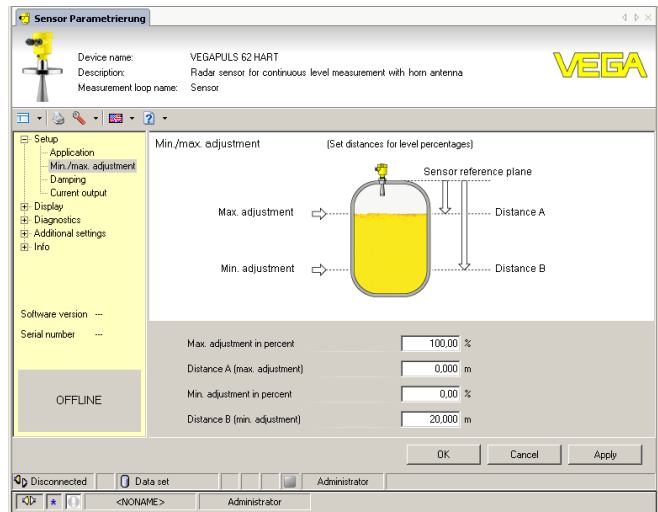


Fig. 47: Example of a DTM view

### Standard/Full version

All device DTMs are available as a free-of-charge standard version and as a full version that must be purchased. In the standard version, all functions for complete setup are already included. An assistant for simple project configuration simplifies the adjustment considerably. Saving/printing the project as well as import/export functions are also part of the standard version.

In the full version there is also an extended print function for complete project documentation as well as a save function for measured value

and echo curves. In addition, there is a tank calculation program as well as a multiviewer for display and analysis of the saved measured value and echo curves.

The standard version is available as a download under [www.vega.com/downloads](http://www.vega.com/downloads) and "Software". The full version is available on CD from the agency serving you.

### **7.3 Saving the parameter adjustment data**

We recommend documenting or saving the parameter adjustment data via PACTware. That way the data are available for multiple use or service purposes.

## 8 Set up with other systems

### 8.1 DD adjustment programs

Device descriptions as Enhanced Device Description (EDD) are available for DD adjustment programs such as, for example, AMS™ and PDM.

The files can be downloaded at [www.vega.com/downloads](http://www.vega.com/downloads) under "Software".

### 8.2 Field Communicator 375, 475

Device descriptions for the instrument are available as EDD for parameter adjustment with the Field Communicator 375 or 475.

For the integration of the EDD in the Field Communicator 375 or 475, the software "Easy Upgrade Utility" is required which is available from the manufacturer. This software is updated via the Internet and new EDDs are automatically taken over into the device catalogue of this software after they are released by the manufacturer. They can then be transferred to a Field Communicator.

## 9 Diagnosis, asset management and service

### 9.1 Maintenance

If the device is used correctly, no maintenance is required in normal operation.

In some applications, buildup on the antenna system can influence the measuring result. Depending on the sensor and application, make arrangements to avoid strong pollution of the antenna system. If necessary, clean the antenna system in certain intervals.

### 9.2 Measured value and event memory

The instrument has several memories which are available for diagnosis purposes. The data remain even with voltage interruption.

#### Measured value memory

Up to 100,000 measured values can be stored in the sensor in a ring memory. Each entry contains date/time as well as the respective measured value. Storable values are for example:

- Distance
- Filling height
- Percentage value
- Lin. percent
- Scaled
- Current value
- Meas. reliability
- Electronics temperature

When the instrument is shipped, the measured value memory is active and stores distance, measurement certainty and electronics temperature every 3 minutes.

The requested values and recording conditions are set via a PC with PACTware/DTM or the control system with EDD. Data are thus read out and also reset.

#### Event memory

Up to 500 events are automatically stored with a time stamp in the sensor (non-deletable). Each entry contains date/time, event type, event description and value. Event types are for example:

- Modification of a parameter
- Switch-on and switch-off times
- Status messages (according to NE 107)
- Error messages (according to NE 107)

The data are read out via a PC with PACTware/DTM or the control system with EDD.

#### Echo curve memory

The echo curves are stored with date and time and the corresponding echo data. The memory is divided into two sections:

**Echo curve of the setup:** This is used as reference echo curve for the measurement conditions during setup. Changes in the measurement conditions during operation or buildup on the sensor can thus be recognized. The echo curve of the setup is stored via:

- PC with PACTware/DTM
- Control system with EDD
- Display and adjustment module

**Further echo curves:** Up to 10 echo curves can be stored in a ring buffer in this memory section. Further echo curves are stored via:

- PC with PACTware/DTM
- Control system with EDD

### 9.3 Asset Management function

The instrument features self-monitoring and diagnostics according to NE 107 and VDI/VDE 2650. In addition to the status messages in the following tables, detailed error messages are available under menu item "Diagnostics" via the display and adjustment module, PACTware/DTM and EDD.

#### Status messages

The status messages are divided into the following categories:

- Failure
- Function check
- Out of specification
- Maintenance requirement

and explained by pictographs:

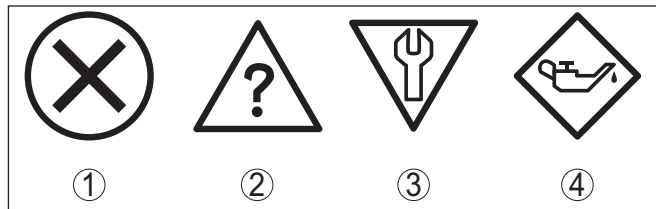


Fig. 48: Pictographs of the status messages

- 1 Failure - red
- 2 Out of specification - yellow
- 3 Function check - orange
- 4 Maintenance - blue

**Failure:** Due to a malfunction in the instrument, a failure message is outputted.

This status message is always active. It cannot be deactivated by the user.

**Function check:** The instrument is in operation, the measured value is temporarily invalid (for example during simulation).

This status message is inactive by default. It can be activated by the user via PACTware/DTM or EDD.

**Out of specification:** The measured value is unstable because the instrument specification is exceeded (e.g. electronics temperature).

This status message is inactive by default. It can be activated by the user via PACTware/DTM or EDD.



**Maintenance:** Due to external influences, the instrument function is limited. The measurement is affected, but the measured value is still valid. Plan in maintenance for the instrument because a failure is expected in the near future (e.g. due to buildup).

This status message is inactive by default. It can be activated by the user via PACTware/DTM or EDD.

**Failure**

The following table shows the error codes in the status message "Failure" and gives information on the reason and rectification. Keep in mind that some information is only valid with four-wire instruments.

Code Text message	Cause	Rectification
F013 no measured value available	<ul style="list-style-type: none"> <li>- Sensor does not detect an echo during operation</li> <li>- Antenna system dirty or defective</li> </ul>	<ul style="list-style-type: none"> <li>- Check or correct installation and/or parameter adjustment</li> <li>- Clean or exchange process component or antenna</li> </ul>
F017 Adjustment span too small	<ul style="list-style-type: none"> <li>- Adjustment not within specification</li> </ul>	<ul style="list-style-type: none"> <li>- Change adjustment according to the limit values (difference between min. and max. <math>\geq 10</math> mm)</li> </ul>
F025 Error in the linearization table	<ul style="list-style-type: none"> <li>- Index markers are not continuously rising, for example illogical value pairs</li> </ul>	<ul style="list-style-type: none"> <li>- Check linearization table</li> <li>- Delete table/Create new</li> </ul>
F036 No operable software	<ul style="list-style-type: none"> <li>- Failed or interrupted software update</li> </ul>	<ul style="list-style-type: none"> <li>- Repeat software update</li> <li>- Check electronics version</li> <li>- Exchanging the electronics</li> <li>- Send instrument for repair</li> </ul>
F040 Error in the electronics	<ul style="list-style-type: none"> <li>- Hardware defect</li> </ul>	<ul style="list-style-type: none"> <li>- Exchanging the electronics</li> <li>- Send instrument for repair</li> </ul>
F080 General software error	<ul style="list-style-type: none"> <li>- General software error</li> </ul>	<ul style="list-style-type: none"> <li>- Disconnect operating voltage briefly</li> </ul>
F105 Determine measured value	<ul style="list-style-type: none"> <li>- The instrument is still in the start phase, the measured value could not yet be determined</li> </ul>	<ul style="list-style-type: none"> <li>- Wait for the end of the switch-on phase</li> <li>- Duration depending on the version and parameter adjustment up to approximately 3 min.</li> </ul>
F113 Communication error	<ul style="list-style-type: none"> <li>- EMC interference</li> <li>- Transmission error with the external communication with 4-wire power supply unit</li> </ul>	<ul style="list-style-type: none"> <li>- Remove EMC influences</li> <li>- Exchange 4-wire power supply unit or electronics</li> </ul>

Code Text message	Cause	Rectification
F125 Impermissible electronics temperature	<ul style="list-style-type: none"> <li>- Temperature of the electronics in the non-specified range</li> </ul>	<ul style="list-style-type: none"> <li>- Check ambient temperature</li> <li>- Isolate electronics</li> <li>- Use instrument with higher temperature range</li> </ul>
F260 Error in the calibration	<ul style="list-style-type: none"> <li>- Error in the calibration carried out in the factory</li> <li>- Error in the EEPROM</li> </ul>	<ul style="list-style-type: none"> <li>- Exchanging the electronics</li> <li>- Send instrument for repair</li> </ul>
F261 Error in the instrument settings	<ul style="list-style-type: none"> <li>- Error during setup</li> <li>- False signal suppression faulty</li> <li>- Error when carrying out a reset</li> </ul>	<ul style="list-style-type: none"> <li>- Repeat setup</li> <li>- Carry out a reset</li> </ul>
F264 Installation/ Setup error	<ul style="list-style-type: none"> <li>- Adjustment not within the vessel height/measuring range</li> <li>- Max. measuring range of the instrument not sufficient</li> </ul>	<ul style="list-style-type: none"> <li>- Check or correct installation and/or parameter adjustment</li> <li>- Use an instrument with bigger measuring range</li> </ul>
F265 Measurement function disturbed	<ul style="list-style-type: none"> <li>- Sensor no longer carries out a measurement</li> <li>- Operating voltage too low</li> </ul>	<ul style="list-style-type: none"> <li>- Check operating voltage</li> <li>- Carry out a reset</li> <li>- Disconnect operating voltage briefly</li> </ul>

### Function check

The following table shows the error codes and text messages in the status message "*Function check*" and provides information on causes as well as corrective measures.

Code Text message	Cause	Rectification
C700 Simulation active	<ul style="list-style-type: none"> <li>- A simulation is active</li> </ul>	<ul style="list-style-type: none"> <li>- Finish simulation</li> <li>- Wait for the automatic end after 60 mins.</li> </ul>

### Out of specification

The following table shows the error codes and text messages in the status message "*Out of specification*" and provides information on causes as well as corrective measures.

Code Text message	Cause	Rectification
S600 Impermissible electronics temperature	<ul style="list-style-type: none"> <li>- Temperature of the electronics in the non-specified range</li> </ul>	<ul style="list-style-type: none"> <li>- Check ambient temperature</li> <li>- Isolate electronics</li> <li>- Use instrument with higher temperature range</li> </ul>

<b>Code</b> <b>Text message</b>	<b>Cause</b>	<b>Rectification</b>
S603 Impermissible operating voltage	– Operating voltage below specified range	– Check electrical connection – If necessary, increase operating voltage

**Maintenance**

The following table shows the error codes and text messages in the status message "Maintenance" and provides information on causes as well as corrective measures.

<b>Code</b> <b>Text message</b>	<b>Cause</b>	<b>Rectification</b>
M500 Error with the reset delivery status	– With the reset to delivery status, the data could not be restored	– Repeat reset – Load XML file with sensor data into the sensor
M501 Error in the non-active linearization table	– Hardware error EEPROM	– Exchanging the electronics – Send instrument for repair
M502 Error in the event memory	– Hardware error EEPROM	– Exchanging the electronics – Send instrument for repair
M503 Meas. reliability too low	– The echo/noise ratio is too small for reliable measurement – Antenna dirty or defective	– Check installation and process conditions – Change polarisation direction – Use instrument with higher sensitivity – Clean the antenna
M504 Error on an device interface	– Hardware defect	– Check connections – Exchanging the electronics – Send instrument for repair
M505 No echo available	– Sensor does not detect an echo during operation – Antenna dirty or defective	– Clean the antenna – Use a more suitable antenna/sensor – Remove possible false echoes – Optimize sensor position and orientation
M506 Installation/ Setup error	– Error during setup	– Check or correct installation and/or parameter adjustment

Code Text message	Cause	Rectification
M507 Error in the instrument settings	<ul style="list-style-type: none"> <li>– Error during setup</li> <li>– Error when carrying out a reset</li> <li>– False signal suppression faulty</li> </ul>	<ul style="list-style-type: none"> <li>– Carry out reset and repeat setup</li> </ul>

## 9.4 Rectify faults

### Reaction when malfunction occurs

The operator of the system is responsible for taking suitable measures to rectify faults.

### Procedure for fault rectification

The first measures are:

- Evaluation of fault messages, for example via the display and adjustment module
- Checking the output signal
- Treatment of measurement errors

Further comprehensive diagnostics options are available with a PC with PACTware and the suitable DTM. In many cases, the reasons can be determined in this way and faults rectified.

### Check the 4 ... 20 mA signal

Connect a multimeter in the suitable measuring range according to the wiring plan. The following table describes possible errors in the current signal and helps to eliminate them:

Error	Cause	Rectification
4 ... 20 mA signal not stable	<ul style="list-style-type: none"> <li>– Fluctuations of the measured variable</li> </ul>	<ul style="list-style-type: none"> <li>– Set damping appropriate to the instrument via the display and adjustment module or PACTware/DTM</li> </ul>
4 ... 20 mA signal missing	<ul style="list-style-type: none"> <li>– Electrical connection faulty</li> </ul>	<ul style="list-style-type: none"> <li>– Check connection according to chapter "<i>Connection steps</i>" and if necessary, correct according to chapter "<i>Wiring plan</i>"</li> </ul>
	<ul style="list-style-type: none"> <li>– Voltage supply missing</li> </ul>	<ul style="list-style-type: none"> <li>– Check cables for breaks; repair if necessary</li> </ul>
	<ul style="list-style-type: none"> <li>– Operating voltage too low or load resistance too high</li> </ul>	<ul style="list-style-type: none"> <li>– Check, adapt if necessary</li> </ul>
Current signal greater than 22 mA or less than 3.6 mA	<ul style="list-style-type: none"> <li>– Electronics module in the sensor defective</li> </ul>	<ul style="list-style-type: none"> <li>– Exchange the instrument or send it in for repair</li> </ul>

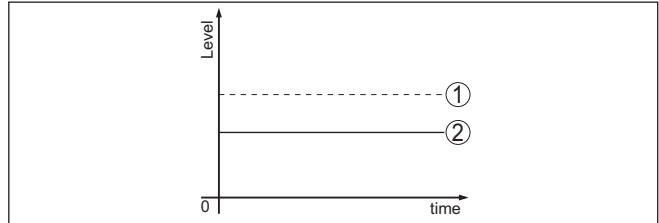
### Treatment of measurement errors with bulk solids

The below tables show typical examples of application-related measurement errors with bulk solids. A distinction is made between measurement errors during:

- Constant level

- Filling
- Emptying

The images in column "Error pattern" show the real level as a broken line and the level displayed by the sensor as a continuous line.



- 1 Real level
- 2 Level displayed by the sensor


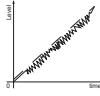
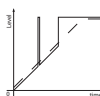
Notes:

- Whenever the sensor displays a constant value, the reason could also be that the fault setting of the current output is set to "Hold value"
- If the level indication is too low, the reason could be a line resistance that is too high

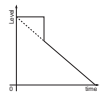
**Measurement error with constant level**

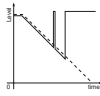
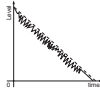
Fault description	Error pattern	Cause	Rectification
1. Measured value shows a too low or too high level		- Min./max. adjustment not correct	- Adapt min./max. adjustment
		- Incorrect linearization curve	- Adapt linearization curve
2. Measured value jumps towards 100 %		- Due to the process, the amplitude of the product echo decreases	- Carry out a false signal suppression
		- A false signal suppression was not carried out	
		- Amplitude or position of a false signal has changed (e.g. condensation, buildup); false signal suppression no longer matches actual conditions	- Determine the reason for the changed false signals, carry out false signal suppression, e.g. with condensation

## Measurement error during filling

Fault description	Error pattern	Cause	Rectification
3. Measured value jumps towards 0 % during filling		- Amplitude of a multiple echo (vessel top - product surface) is larger than the level echo	- Check parameter "Application", especially vessel top, type of medium, dished bottom, high dielectric constant, and adapt if necessary
		- The level echo cannot be distinguished from the false signal at a false signal position (jumps to multiple echo)	- Remove/reduce false signal: minimize interfering installations by changing the polarization direction - Chose a more suitable installation position
		- Transverse reflection from an extraction funnel, amplitude of the transverse reflection larger than the level echo	- Direct sensor to the opposite funnel wall, avoid crossing with the filling stream
4. Measured value fluctuates around 10 ... 20 %		- Various echoes from an uneven product surface, e.g. a material cone	- Check parameter "Type of medium" and adapt, if necessary - Optimize installation position and sensor orientation
		- Reflections from the product surface via the vessel wall (deflection)	- Select a more suitable installation position, optimize sensor orientation, e.g. with a swiveling holder
5. Measured value jumps sporadically to 100 % during filling		- Changing condensation or contamination on the antenna	- Carry out a false signal suppression or increase false signal suppression with condensation/contamination in the close range by editing - With bulk solids use radar sensor with purging air connection or flexible antenna cover

## Measurement error during emptying

Fault description	Error pattern	Cause	Rectification
6. Measured value remains unchanged in the close range during emptying		- False signal larger than the level echo - Level echo too small	- Eliminate false signals in the close range. Check: Antenna must protrude out of the socket - Remove contamination on the antenna - Minimize interfering installations in the close range by changing the polarization direction - After eliminating the false signals, the false signal suppression must be deleted. Carry out a new false signal suppression

Fault description	Error pattern	Cause	Rectification
7. Measured value jumps sporadically towards 100 % during emptying		<ul style="list-style-type: none"> <li>– Changing condensation or contamination on the antenna</li> </ul>	<ul style="list-style-type: none"> <li>– Carry out false signal suppression or increase false signal suppression in the close range by editing</li> <li>– With bulk solids use radar sensor with purging air connection or flexible antenna cover</li> </ul>
8. Measured value fluctuates around 10 ... 20 %		<ul style="list-style-type: none"> <li>– Various echoes from an uneven product surface, e.g. an extraction funnel</li> <li>– Reflections from the product surface via the vessel wall (deflection)</li> </ul>	<ul style="list-style-type: none"> <li>– Check parameter "Type of medium" and adapt, if necessary</li> <li>– Optimize installation position and sensor orientation</li> </ul>

**Reaction after fault rectification**

Depending on the reason for the fault and the measures taken, the steps described in chapter "Setup" must be carried out again or must be checked for plausibility and completeness.

**24 hour service hotline**

Should these measures not be successful, please call in urgent cases the VEGA service hotline under the phone no. **+49 1805 858550**.

The hotline is also available outside normal working hours, seven days a week around the clock.

Since we offer this service worldwide, the support is provided in English. The service itself is free of charge, the only costs involved are the normal call charges.

**9.5 Exchanging the electronics module**

If the electronics module is defective, it can be replaced by the user.



In Ex applications, only instruments and electronics modules with appropriate Ex approval may be used.

If there is no electronics module available on site, the electronics module can be ordered through the agency serving you. The electronics modules are adapted to the respective sensor and differ in signal output or voltage supply.

The new electronics module must be loaded with the default settings of the sensor. These are the options:

- In the factory
- Or on site by the user

In both cases, the serial number of the sensor is needed. The serial numbers are stated on the type label of the instrument, on the inside of the housing as well as on the delivery note.

When loading on site, first of all the order data must be downloaded from the Internet (see operating instructions manual "Electronics module").



**Caution:**

All user-specific settings must be entered again. Hence, you have to carry out a new setup after the electronics exchange.

If you have stored the data of the parameter adjustment during the first setup of the sensor, you can transfer these to the replacement electronics module. A new setup is no more necessary.

## 9.6 Software update

The following components are required to update the instrument software:

- Instrument
- Voltage supply
- Interface adapter VEGACONNECT
- PC with PACTware
- Current instrument software as file

You can find the current instrument software as well as detailed information on the procedure under "[www.vega.com/downloads](http://www.vega.com/downloads)" and "*Software*".



### Caution:

Instruments with approvals can be bound to certain software versions. Therefore make sure that the approval is still effective after a software update is carried out.

You can find detailed information at [www.vega.com/downloads](http://www.vega.com/downloads) and "*Approvals*".

## 9.7 How to proceed if a repair is necessary

You can find a repair form as well as detailed information on how to proceed at [www.vega.com/downloads](http://www.vega.com/downloads) and "*Forms and certificates*".

By doing this you help us carry out the repair quickly and without having to call back for needed information.

If a repair is necessary, please proceed as follows:

- Print and fill out one form per instrument
- Clean the instrument and pack it damage-proof
- Attach the completed form and, if need be, also a safety data sheet outside on the packaging
- Please contact the agency serving you to get the address for the return shipment. You can find the agency on our home page [www.vega.com](http://www.vega.com).



## 10 Dismount

### 10.1 Dismounting steps

**Warning:**

Before dismounting, be aware of dangerous process conditions such as e.g. pressure in the vessel or pipeline, high temperatures, corrosive or toxic products etc.

Take note of chapters "*Mounting*" and "*Connecting to power supply*" and carry out the listed steps in reverse order.

### 10.2 Disposal

The instrument consists of materials which can be recycled by specialised recycling companies. We use recyclable materials and have designed the parts to be easily separable.

Correct disposal avoids negative effects on humans and the environment and ensures recycling of useful raw materials.

Materials: see chapter "*Technical data*"

If you have no way to dispose of the old instrument properly, please contact us concerning return and disposal.

**WEEE directive 2002/96/EG**

This instrument is not subject to the WEEE directive 2002/96/EG and the respective national laws. Pass the instrument directly on to a specialised recycling company and do not use the municipal collecting points. These may be used only for privately used products according to the WEEE directive.

## 11 Supplement

### 11.1 Technical data

#### General data

316L corresponds to 1.4404 or 1.4435

#### Materials, wetted parts

– Process fitting	316L, Alloy C22 (2.4602), Alloy 400 (2.4360)
– Process seal	On site
– Antenna	PP, PEEK
– seal, antenna system	FKM (SHS FPM 70C3 GLT), EPDM (COG AP310)
– Rinsing air connection	PP GFK
– Seal, rinsing air connection	FKM, (SHS FPM 70C3 GLT), EPDM (COG AP310)

#### Materials, non-wetted parts

– Plastic housing	plastic PBT (Polyester)
– Aluminium die-casting housing	Aluminium die-casting AlSi10Mg, powder-coated - basis: Polyester
– Stainless steel housing	316L
– Seal between housing and housing cover	NBR (stainless steel housing, precision casting), silicone (aluminium/plastic housing; stainless steel housing, electropolished)
– Inspection window in housing cover (optional)	Polycarbonate
– Ground terminal	316L

#### Process fitting

– Flanges	DIN from DN 80, ASME from 3"
-----------	------------------------------

#### Weights

– Instrument (depending on housing, process fitting and antenna)	approx. 2 ... 17.2 kg (4.409 ... 37.92 lbs)
--	---

#### Max. torques, version plastic horn antenna

– Mounting screws, mounting strap on sensor housing	4 Nm (2.950 lbf ft)
– Flange screws, compression flange DN 80	5 Nm (3.689 lbf ft)
– Flange screws, adapter flange DN 100	7 Nm (5.163 lbf ft)

#### Max. torque for NPT cable glands and Conduit tubes

– Plastic housing	10 Nm (7.376 lbf ft)
– Aluminium/Stainless steel housing	50 Nm (36.88 lbf ft)

#### Input variable

Measured variable	The measured variable is the distance between the process fitting of the sensor and the product surface. The reference plane is the seal surface of the flange.
-------------------	---

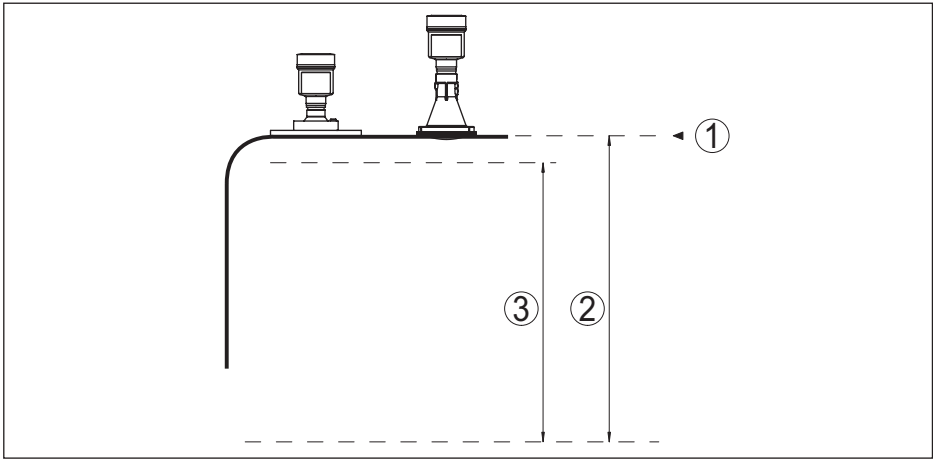


Fig. 58: Data of the input variable

- 1 Reference plane
- 2 Measured variable, max. measuring range
- 3 Useable measuring range (recommended min. distance see "Measuring accuracy")

Max. measuring range 120 m (393,7 ft)

**Output variable**

Output signal	4 ... 20 mA/HART
Range of the output signal	3.8 ... 20.5 mA/HART (default setting)
Signal resolution	0.3 µA
Resolution, digital	< 1 mm (0.039 in)
Failure signal current output (adjustable)	mA-value unchanged 20.5 mA, 22 mA, < 3.6 mA
Max. output current	22 mA
Starting current	≤ 3.6 mA; ≤ 10 mA for 5 ms after switching on
Load	see load diagram under Power supply
Damping (63 % of the input variable), adjustable	0 ... 999 s
HART output values according to HART 7.0 <sup>2)</sup>	
- PV (Primary Value)	Lin. percent
- SV (Secondary Value)	Distance
- TV (Third Value)	Meas. reliability
- QV (Fourth Value)	Electronics temperature
Fulfilled HART specification	7.0
Further information on Manufacturer ID, Device ID, Device Revision	See website of HART Communication Foundation

<sup>2)</sup> Default values, can be assigned individually

**Accuracy (according to DIN EN 60770-1)**

Process reference conditions according to DIN EN 61298-1

- Temperature +18 ... +30 °C (+64 ... +86 °F)
- Relative humidity 45 ... 75 %
- Air pressure 860 ... 1060 mbar/86 ... 106 kPa (12.5 ... 15.4 psig)

Installation reference conditions

- Min. distance to internal installations > 200 mm (7.874 in)
- Reflector Flat plate reflector, surface 1 x 1 m (3.281 x 3.281 ft)
- False reflections Biggest false signal, 20 dB smaller than the useful signal

Deviation

See following diagrams

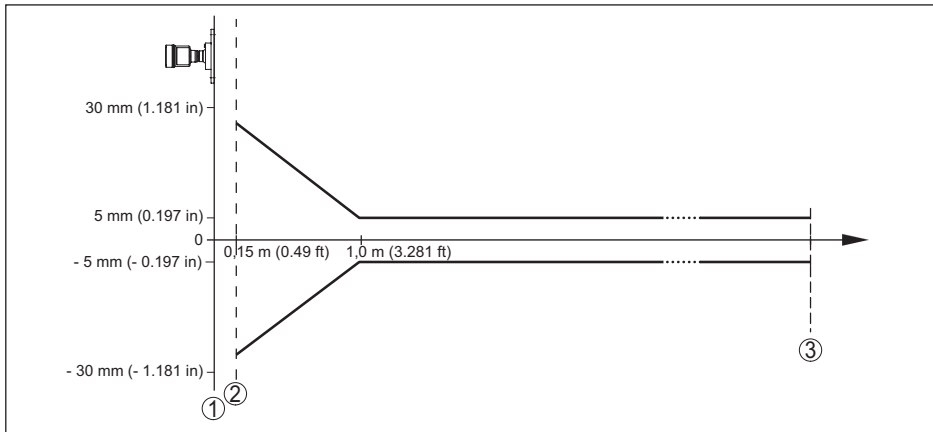


Fig. 59: Deviation under reference conditions

- 1 Reference plane
- 2 Recommended min. distance
- 3 Measuring range end

Repeatability  $\leq \pm 1$  mm

Deviation with bulk solids The values depend to a great extent on the application. Binding specifications are thus not possible.

**Variables influencing measurement accuracy****Specifications apply to the digital measured value**Temperature drift - Digital output  $\pm 3$  mm/10 K, max. 10 mm

Additional deviation through electromagnetic interference acc. to EN 61326-2-3 None

**Specifications apply also to the current output**Temperature drift - Current output  $\pm 0.03$  %/10 K relating to the 16 mA span max.  $\pm 0.3$  %Deviation on the current output through analogue/digital conversion  $< \pm 15$   $\mu$ A

Additional deviation through electromagnetic interference acc. to EN 61326-2-3 None

**Characteristics and performance data**

Measuring frequency	W-band (79 GHz technology)
Measuring cycle time approx.	700 ms
Step response time <sup>3)</sup>	≤ 3 s
Beam angle <sup>4)</sup>	
– Plastic horn antenna	3.5°
– Metal-jacketed lens antenna	4°
Emitted HF power (depending on the parameter adjustment) <sup>5)</sup>	
– Average spectral transmission power density	-3 dBm/MHz EIRP
– Max. spectral transmission power density	+34 dBm/50 MHz EIRP
– Max. power density at a distance of 1 m	< 3 μW/cm <sup>2</sup>

**Ambient conditions**

Ambient, storage and transport temperature -40 ... +80 °C (-40 ... +176 °F)

**Process conditions**

For the process conditions, please also note the specifications on the type label. The lowest value always applies.

**Process temperature**

Seal	Antenna lens	Process temperature (measured on the process fitting)
FKM (SHS FPM 70C3 GLT)	PEEK	-40 ... +130 °C (-40 ... +266 °F)
	PEEK	-40 ... +200 °C (-40 ... +392 °F)
FKM (SHS FPM 70C3 GLT)	PP	-40 ... +80 °C (-40 ... +176 °F)
EPDM (COG AP310)	PP	-40 ... +80 °C (-40 ... +176 °F)

**Ambient temperature - Process temperature**

<sup>3)</sup> Time span (after a sudden measuring distance change of max. 2 m in bulk solids applications) until the output signal has taken on 90 % of the final value for the first time (IEC 61298-2).

<sup>4)</sup> Outside the specified beam angle, the energy of the radar signal is reduced by 50 % (-3 dB).

<sup>5)</sup> EIRP: Equivalent Isotropic Radiated Power.

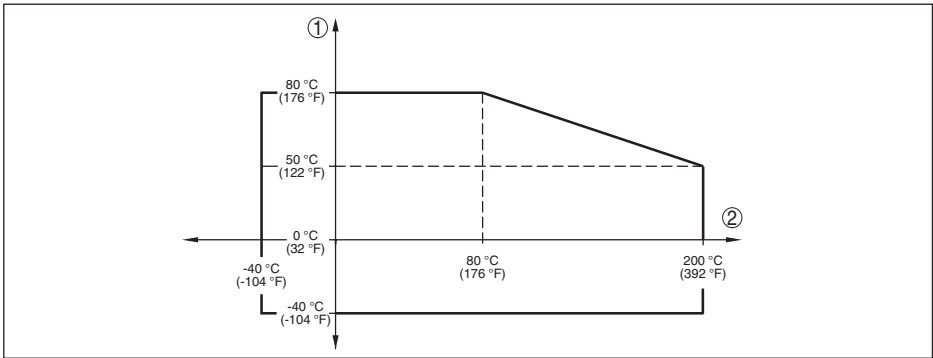


Fig. 60: Ambient temperature - Process temperature, metal-jacketed lens antenna up to +200 °C (392 °F)

- 1 Ambient temperature
- 2 Process temperature

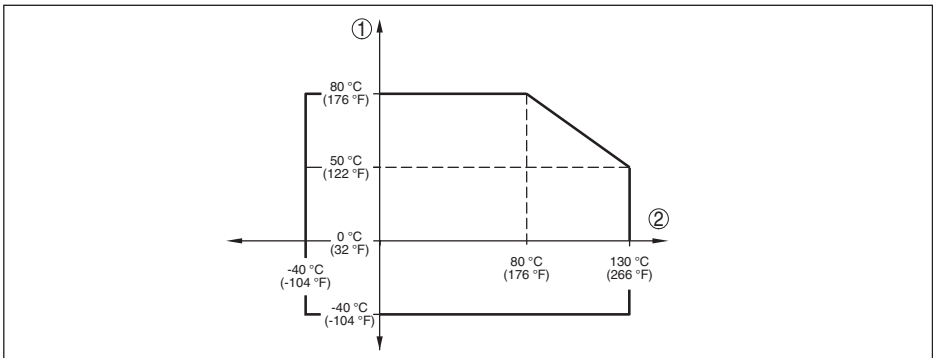


Fig. 61: Ambient temperature - Process temperature, metal-jacketed lens antenna up to +130 °C (266 °F)

- 1 Ambient temperature
- 2 Process temperature

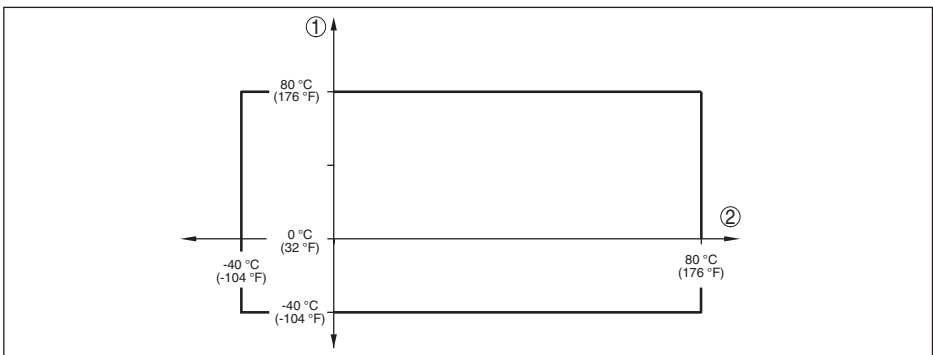


Fig. 62: Ambient temperature - Process temperature, plastic horn antenna

- 1 Ambient temperature
- 2 Process temperature

**Vessel pressure**

Vessel pressure

- Metal-jacketed lens antenna -1 ... 3 bar (-100 ... 300 kPa/-14.5 ... 43.5 psig)
- Plastic horn antenna -1 ... 2 bar (-100 ... 200 kPa/-14.5 ... 29.1 psig)
- Plastic horn antenna - Version with adapter flange from DN 100 PP or PP-GF 30 -1 ... 1 bar (-100 ... 100 kPa/-14.5 ... 14.5 psig)

Vessel pressure relating to the flange nominal pressure stage see supplementary instructions manual "*Flanges according to DIN-EN-ASME-JIS*"

**Mechanical stresses**

Vibration resistance - Metal jacketed lens antenna 4 g at 5 ... 200 Hz according to EN 60068-2-6 (vibration with resonance)

Vibration resistance - Plastic horn antenna

- With adapter flange 2 g at 5 ... 200 Hz according to EN 60068-2-6 (vibration with resonance)
- with mounting strap 1 g at 5 ... 200 Hz according to EN 60068-2-6 (vibration with resonance)

Shock resistance 100 g, 6 ms according to EN 60068-2-27 (mechanical shock)

---

**Data on rinsing air connection**

Max. permissible pressure 6 bar (87.02 psig)

Air volume, depending on pressure (recommended range)

Metal-jacketed lens antenna	Air volume	
	Without reflux valve	With reflux valve
Pressure		
0.2 bar (2.9 psig)	1.7 m³/h	-
0.4 bar (5.8 psig)	2.5 m³/h	-
0.6 bar (8.7 psig)	2.9 m³/h	0.8 m³/h
0.8 bar (11.6 psig)	3.3 m³/h	1.5 m³/h
1 bar (14.5 psig)	3.6 m³/h	2 m³/h
1.2 bar (17.4 psig)	3.9 m³/h	2.3 m³/h
1.4 bar (20.3 psig)	4 m³/h	2.7 m³/h
1.6 bar (23.2 psig)	4.3 m³/h	3 m³/h
1.8 bar (20.3 psig)	4.5 m³/h	3.5 m³/h
2 bar (23.2 psig)	4.6 m³/h	4 m³/h

Plastic horn antenna	Air volume	
	Without reflux valve	With reflux valve
Pressure		
0.2 bar (2.9 psig)	3.3 m³/h	-
0.4 bar (5.8 psig)	5 m³/h	-
0.6 bar (8.7 psig)	6 m³/h	1 m³/h

47247-EN-150615

Plastic horn antenna	Air volume	
	Without reflux valve	With reflux valve
Pressure		
0.8 bar (11.6 psig)	-	2.1 m <sup>3</sup> /h
1 bar (14.5 psig)	-	3 m <sup>3</sup> /h
1.2 bar (17.4 psig)	-	3.5 m <sup>3</sup> /h
1.4 bar (20.3 psig)	-	4.2 m <sup>3</sup> /h
1.6 bar (23.2 psig)	-	4.4 m <sup>3</sup> /h
1.8 bar (20.3 psig)	-	4.8 m <sup>3</sup> /h
2 bar (23.2 psig)	-	5.1 m <sup>3</sup> /h

#### Connection

- Thread G $\frac{1}{8}$
- Seal with metal jacketed lens antenna Threaded plug of 316Ti

Reflux valve - unmounted (as option with non-Ex version, included in the scope of delivery with Ex version)

- Material 316Ti
- Thread G $\frac{1}{8}$
- Seal FKM (SHS FPM 70C3 GLT), EPDM (COG AP310)
- For connection G $\frac{1}{4}$
- opening pressure 0.5 bar (7.25 psig)
- Nominal pressure stage PN 250

#### Electromechanical data - version IP 66/IP 67 and IP 66/IP 68; 0.2 bar

Cable gland M20 x 1.5 or  $\frac{1}{2}$  NPT

Wire cross-section (spring-loaded terminals)

- Massive wire, stranded wire 0.2 ... 2.5 mm<sup>2</sup> (AWG 24 ... 14)
- Stranded wire with end sleeve 0.2 ... 1.5 mm<sup>2</sup> (AWG 24 ... 16)

#### Electromechanical data - version IP 66/IP 68 (1 bar)

Options of the cable entry

- Cable gland with integrated connection cable M20 x 1.5 (cable:  $\varnothing$  5 ... 9 mm)
- Cable entry  $\frac{1}{2}$  NPT
- Blind plug M20 x 1.5;  $\frac{1}{2}$  NPT

Connection cable

- Wire cross-section 0.5 mm<sup>2</sup> (AWG 20)
- Wire resistance < 0.036  $\Omega$ /m
- Tensile strength < 1200 N (270 lbf)
- Standard length 5 m (16.4 ft)
- Max. length 180 m (590.6 ft)
- Min. bending radius 25 mm (0.984 in) with 25 °C (77 °F)
- Diameter approx. 8 mm (0.315 in)



- Colour - Non-Ex version                      Black
- Colour - Ex-version                            Blue

### Display and adjustment module

Display element	Display with backlight
Measured value indication	
- Number of digits	5
- Size of digits	W x H = 7 x 13 mm
Adjustment elements	4 keys
Protection rating	
- unassembled	IP 20
- mounted in the housing without lid	IP 40
Materials	
- Housing	ABS
- Inspection window	Polyester foil

### Interface to the external display and adjustment unit

Data transmission	digital (I <sup>2</sup> C-Bus)
Configuration, connection cable	4-wire, screened
Cable length max.	
- Sensors with signal output 4 ... 20 mA/HART	50 m
- Sensors with signal output Profibus PA, Foundation Fieldbus	25 m

### Integrated clock

Date format	Day.Month.Year
Time format	12 h/24 h
Time zone Ex factory	CET
Rate deviation max.	10.5 min/year

### Measurement electronics temperature

Resolution	0.1 °C (1.8 °F)
Accuracy	±1 °C (1.8 °F)
Permissible temperature range	-40 ... +85 °C (-40 ... +185 °F)

### Voltage supply

Operating voltage U <sub>g</sub>	
- Non-Ex instrument	12 ... 35 V DC
- Ex-d instrument	12 ... 35 V DC
- Ex ia instrument	12 ... 30 V DC
- Ex-d-ia instrument	17 ... 35 V DC

Operating voltage  $U_B$  - illuminated display and adjustment module

- Non-Ex instrument 18 ... 35 V DC
- Ex-d instrument 18 ... 35 V DC
- Ex ia instrument 18 ... 30 V DC
- Ex-d-ia instrument Due to the barrier, no lighting possible

Reverse voltage protection Integrated

Permissible residual ripple - Non-Ex, Ex-ia instrument

- for  $9.6 \text{ V} < U_B < 14 \text{ V}$   $\leq 0.7 V_{\text{eff}}$  (16 ... 400 Hz)
- for  $18 \text{ V} < U_B < 36 \text{ V}$   $\leq 1.0 V_{\text{eff}}$  (16 ... 400 Hz)

Permissible residual ripple - Ex-d-ia instrument

- for  $18 \text{ V} < U_B < 36 \text{ V}$   $\leq 1 V_{\text{eff}}$  (16 ... 400 Hz)

Load resistor

- Calculation  $(U_B - U_{\text{min}})/0.022 \text{ A}$
- Example - Non-Ex instrument with  $U_B = 24 \text{ V DC}$   
 $(24 \text{ V} - 12 \text{ V})/0.022 \text{ A} = 545 \Omega$

## Electrical protective measures

Protection rating

Housing material	Version	IP-protection class	NEMA protection
Plastic	Single chamber	IP 66/IP 67	NEMA 4X
	Double chamber	IP 66/IP 67	NEMA 4X
Aluminium	Single chamber	IP 66/IP 68 (0.2 bar) IP 68 (1 bar)	NEMA 6P NEMA 6P
	Double chamber	IP 66/IP 67 IP 66/IP 68 (0.2 bar) IP 68 (1 bar)	NEMA 4X NEMA 6P NEMA 6P
Stainless steel, electro-polished	Single chamber	IP 66/IP 68 (0.2 bar)	NEMA 6P
Stainless steel, precision casting	Single chamber	IP 66/IP 68 (0.2 bar) IP 68 (1 bar)	NEMA 6P NEMA 6P
	Double chamber	IP 66/IP 67 IP 66/IP 68 (0.2 bar) IP 68 (1 bar)	NEMA 4X NEMA 6P NEMA 6P

Overvoltage category III (IEC 61010-1)

Protection class III (IEC 61010-1)

## Approvals

Instruments with approvals can have different technical specifications depending on the version.

For that reason the associated approval documents of these instruments have to be carefully noted. They come with the delivery or can be downloaded under [www.vega.com](http://www.vega.com), "VEGA Tools" and "Instrument search" as well as under [www.vega.com/downloads](http://www.vega.com/downloads) and "Approvals".

## 11.2 Radio astronomy stations

The following table shows the geographic position of the radio astronomy stations in Europe:

Country	Name of the Station	Geographic Latitude	Geographic Longitude
Finland	Metsähovi	60°13'04" N	24°23'37" E
France	Plateau de Bure	44°38'01" N	05°54'26" E
Germany	Effelsberg	50°31'32" N	06°53'00" E
Italy	Sardinia	39°29'50" N	09°14'40" E
Spain	Yebes	40°31'27" N	03°05'22" W
	Pico Veleta	37°03'58" N	03°23'34" W
Sweden	Onsala	57°23'45" N	11°55'35" E

1 Frequency band: 75 GHz to 85 GHz

## 11.3 Dimensions

The following dimensional drawings represent only an extract of all possible versions. Detailed dimensional drawings can be downloaded at [www.vega.com/downloads](http://www.vega.com/downloads) under "Drawings".

### Plastic housing

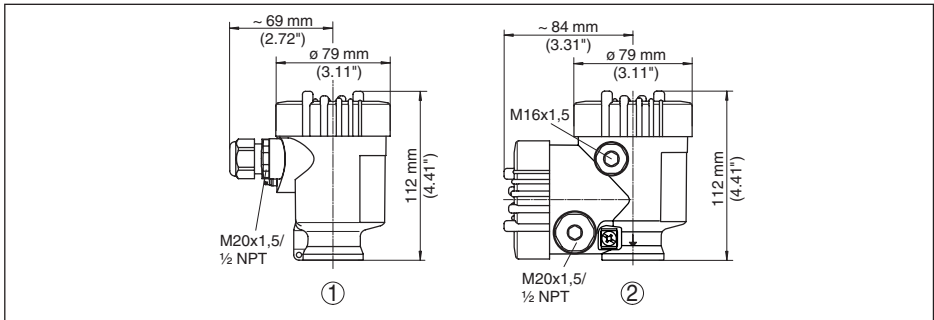


Fig. 63: Housing versions with protection rating IP 66/IP 68 (0.2 bar) - with integrated display and adjustment module the housing is 9 mm/0.35 in higher

- 1 Single chamber version
- 2 Double chamber version

### Aluminium housing

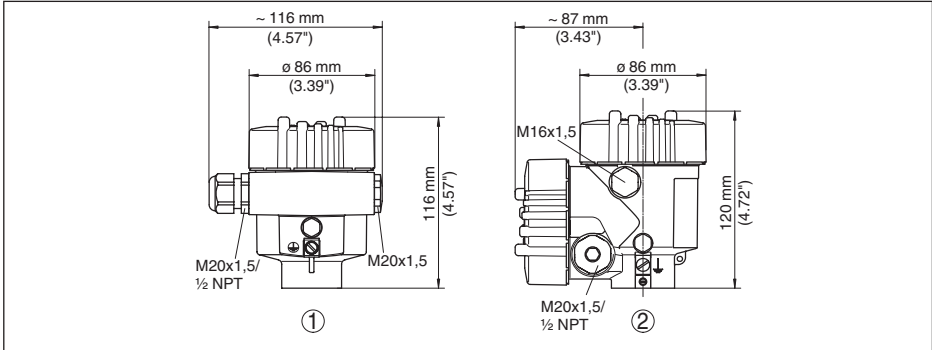


Fig. 64: Housing versions with protection rating IP 66/IP 68 (0.2 bar) - with integrated display and adjustment module the housing is 9 mm/0.35 in higher

- 1 Single chamber version
- 2 Double chamber version

### Aluminium housing with protection rating IP 66/IP 68 (1 bar)

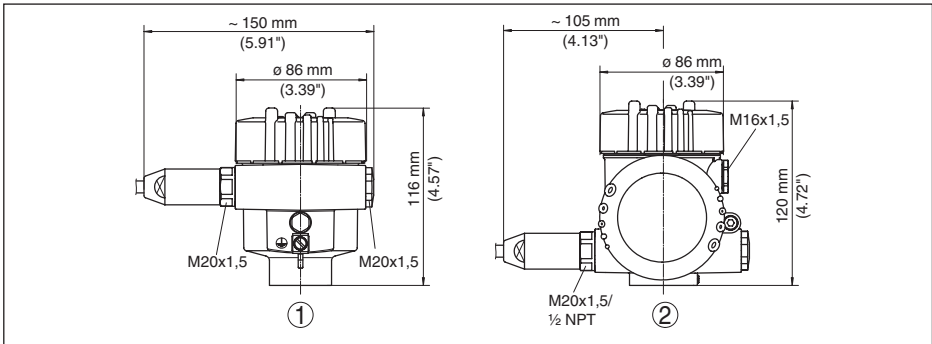


Fig. 65: Housing version with protection rating IP 66/IP 68 (1 bar) - with integrated display and adjustment module the housing is 9 mm/0.35 in higher

- 1 Single chamber version
- 2 Double chamber version

**Stainless steel housing**

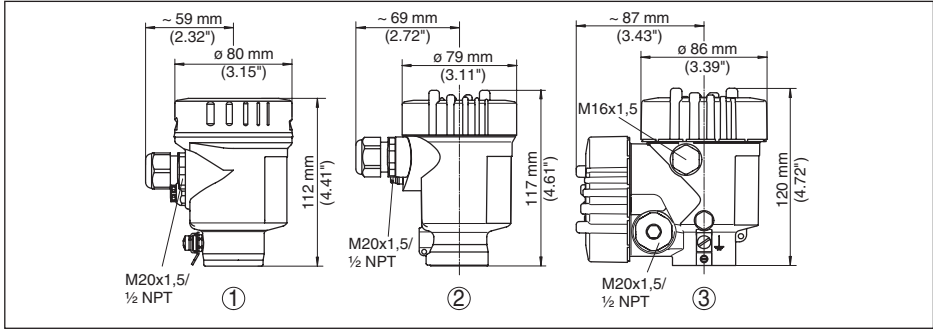


Fig. 66: Housing versions with protection rating IP 66/IP 68 (0.2 bar) - with integrated display and adjustment module the housing is 9 mm/0.35 in higher

- 1 Single chamber version, electropolished
- 2 Single chamber version, precision casting
- 3 Double chamber version, precision casting

**Stainless steel housing with protection rating IP 66/IP 68, 1 bar**

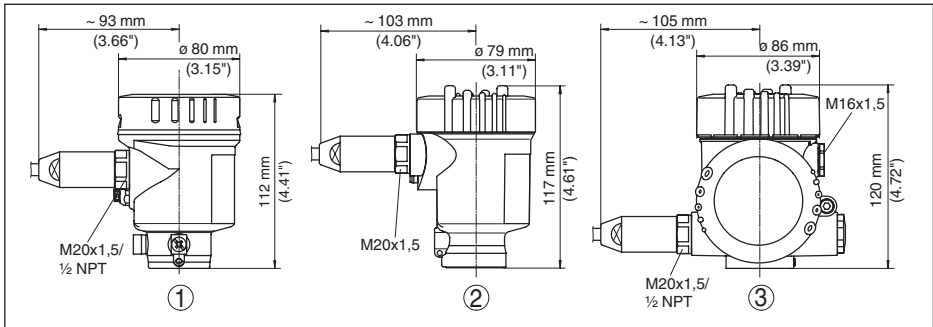


Fig. 67: Housing version with protection rating IP 66/IP 68 (1 bar) - with integrated display and adjustment module the housing is 9 mm/0.35 in higher

- 1 Single chamber version, electropolished
- 2 Single chamber version, precision casting
- 3 Double chamber version, precision casting

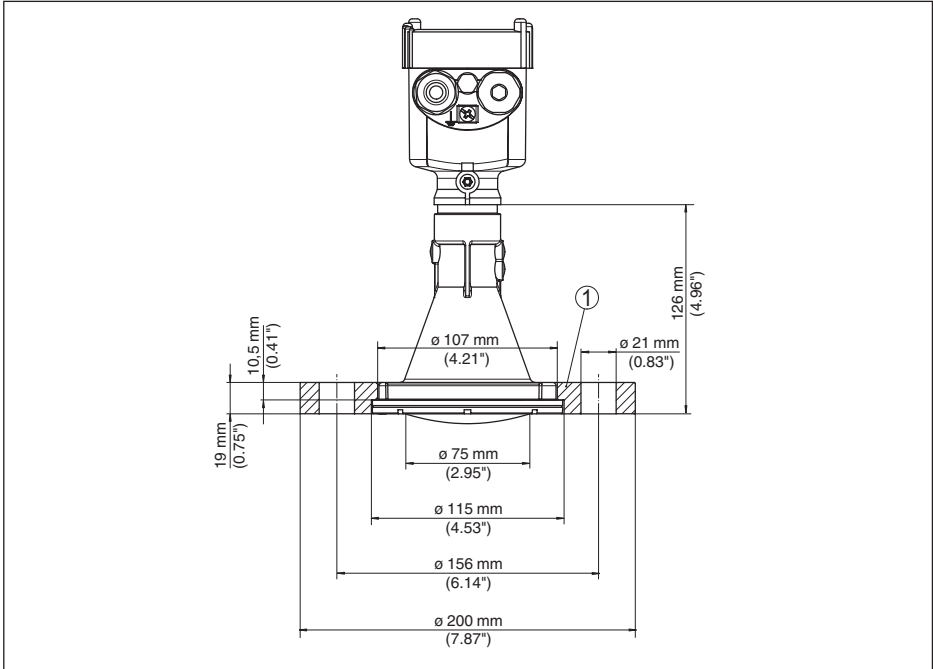
**Radar sensor with compression flange**

Fig. 68: Radar sensor with compression flange

1 Compression flange

**Radar sensor with adapter flange**

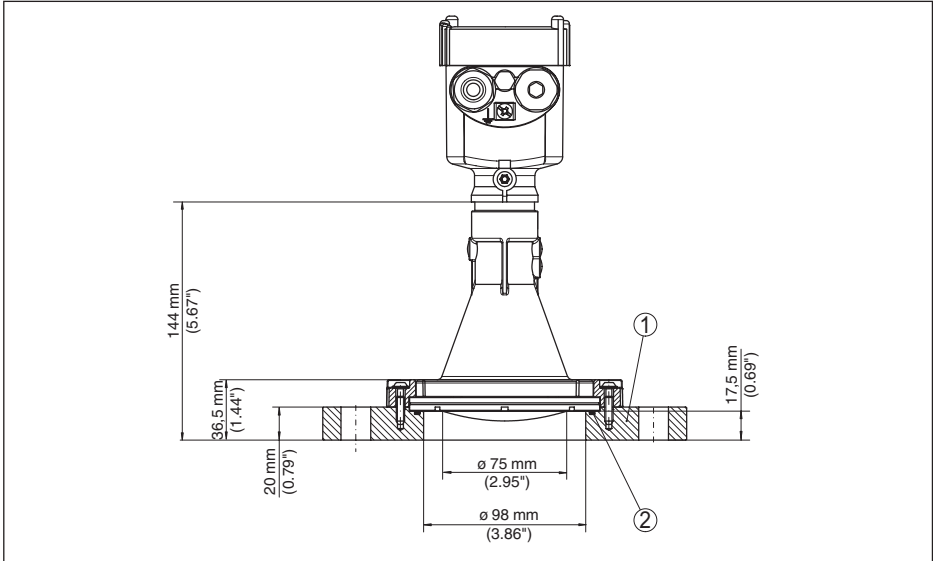


Fig. 69: Radar sensor with adapter flange

- 1 Adapter flange
- 2 Process seal

### Radar sensor with adapter flange and rinsing air connection

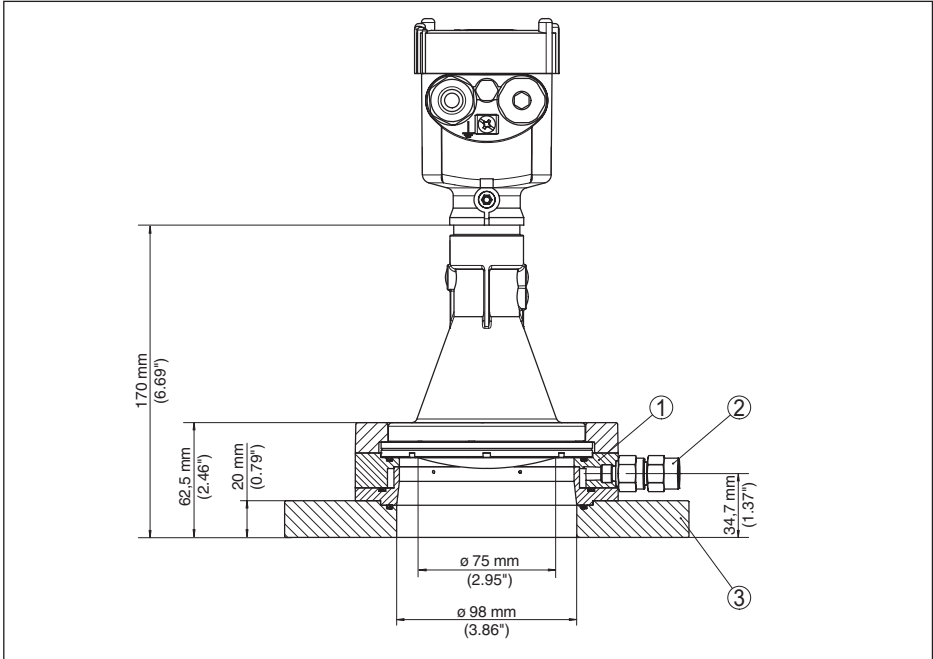


Fig. 70: VEGAPULS 69, adapter flange and rinsing air connection

- 1 Rinsing air connection
- 2 Reflux valve
- 3 Adapter flange



VEGAPULS 69, plastic horn antenna with mounting strap

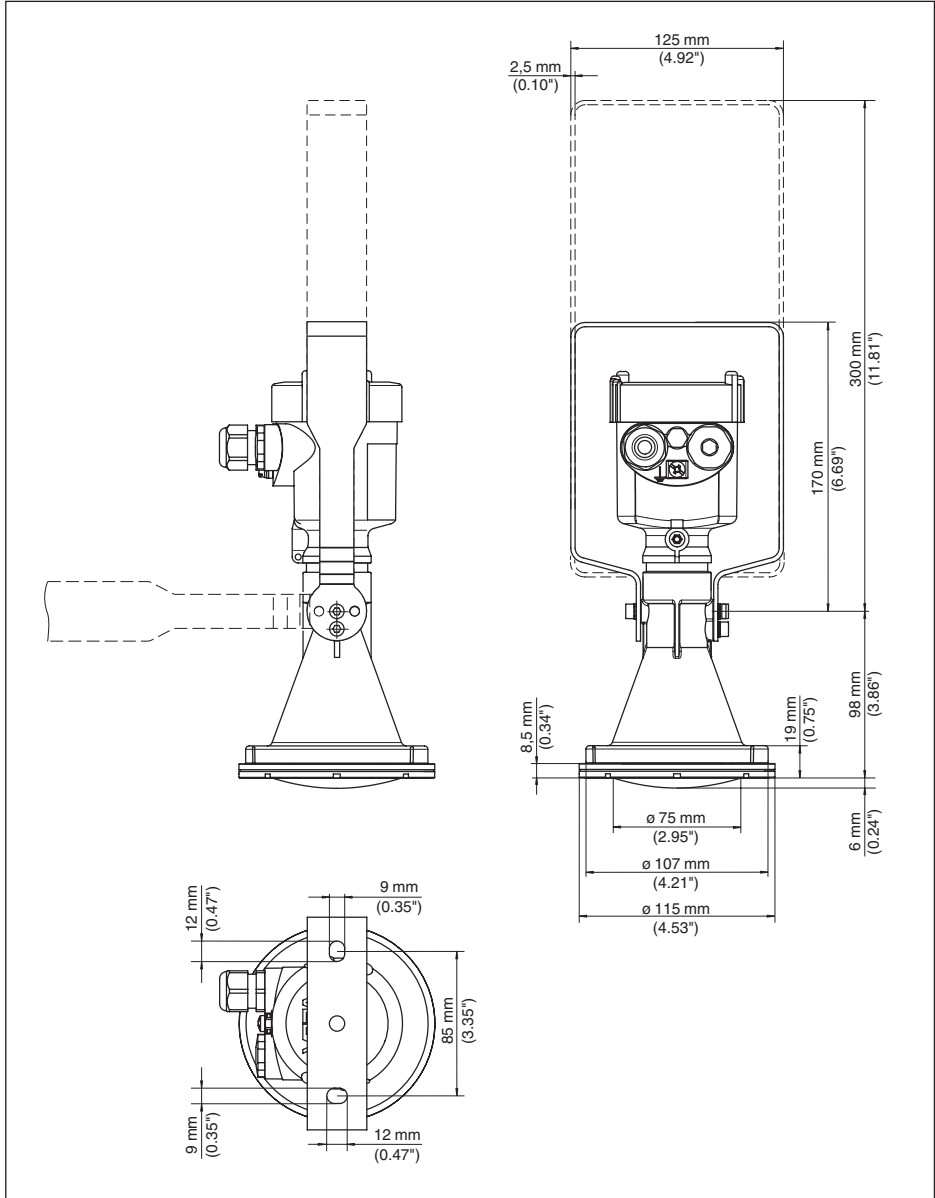


Fig. 71: VEGAPULS 69, plastic horn antenna, mounting strap in 170 or 300 mm length

**VEGAPULS 69, metal-jacketed lens antenna**

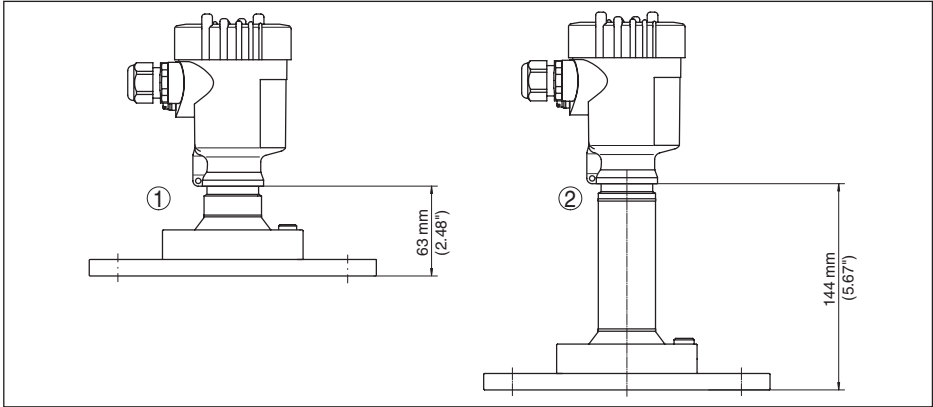


Fig. 72: VEGAPULS 69, metal-jacketed lens antenna in flange version

**VEGAPULS 69, metal-jacketed lens antenna and swivelling holder**

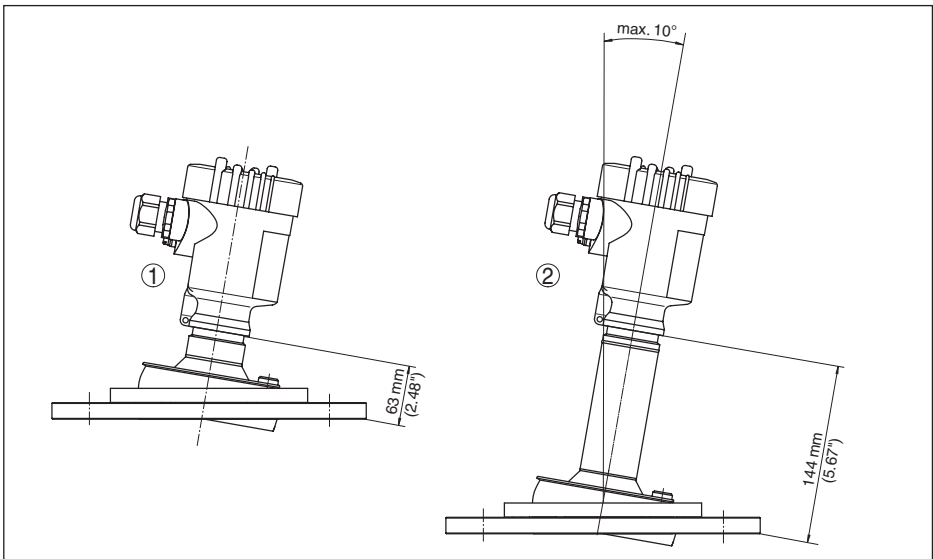


Fig. 73: VEGAPULS 69, metal-jacketed lens antenna and swivelling holder

## 11.4 Industrial property rights

VEGA product lines are global protected by industrial property rights. Further information see [www.vega.com](http://www.vega.com).

Only in U.S.A.: Further information see patent label at the sensor housing.

VEGA Produktfamilien sind weltweit geschützt durch gewerbliche Schutzrechte.

Nähere Informationen unter [www.vega.com](http://www.vega.com).

Les lignes de produits VEGA sont globalement protégées par des droits de propriété intellectuelle. Pour plus d'informations, on pourra se référer au site [www.vega.com](http://www.vega.com).

VEGA líneas de productos están protegidas por los derechos en el campo de la propiedad industrial. Para mayor información revise la pagina web [www.vega.com](http://www.vega.com).

Линии продукции фирмы ВЕГА защищаются по всему миру правами на интеллектуальную собственность. Дальнейшую информацию смотрите на сайте [www.vega.com](http://www.vega.com).

VEGA系列产品在全球享有知识产权保护。

进一步信息请参见网站[www.vega.com](http://www.vega.com)。

## 11.5 Trademark

All the brands as well as trade and company names used are property of their lawful proprietor/originator.

## INDEX

**A**

Adjustment 47, 48  
Adjust the current output 54

**C**

Change the language 49  
Check output signal 68  
Connecting  
– Electrically 30  
– To the PC 59  
Connection  
– Cable 29  
– Steps 30  
– Technology 30  
Copy sensor settings 53  
Current output 48  
Current output Min./Max. 49  
Curve indication  
– Echo curve 50

**D**

Damping 48  
Date/Time 51  
Default values 52  
Deviation 68  
Display lighting 50

**E**

Echo curve memory 63  
Echo curve of the setup 51  
EDD (Enhanced Device Description) 62  
Electronics and terminal compartment, single chamber housing 32  
Error codes 66  
Event memory 63

**F**

False signal suppression 54  
Fault rectification 68  
Functional principle 10

**G**

Grounding 29

**H**

HART  
– Resistor 59  
HART address 56

**L**

Linearization 56  
Lock adjustment 49

**M**

Main menu 43  
Measured value memory 63  
Measurement loop name 44  
Mounting  
– Flange 16  
– Strap 14

**N**

NAMUR NE 107 65, 67

**O**

Operation  
– System 41

**P**

Peak value indicator 50  
Polarisation 18

**R**

Repair 72  
Reset 52

**S**

Sensor status 50  
Service hotline 71  
Set display parameters 50  
Setup  
– Quick setup 42  
Shielding 29  
Simulation 51  
Socket 20  
Special parameters 56  
Status messages - NAMUR NE 107 64

**T**

Type label 9

**U**

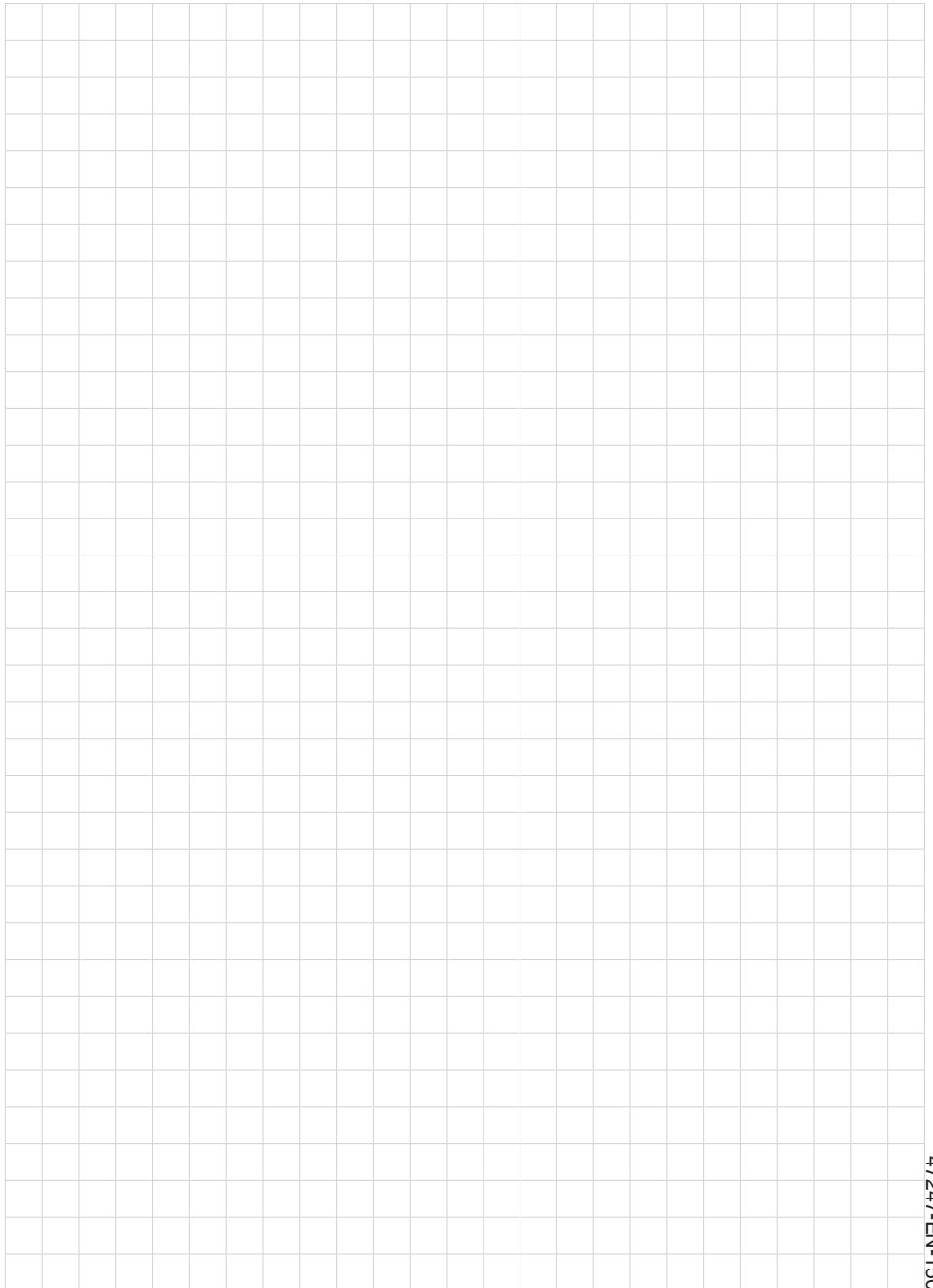
Units 44

**V**

Vessel installations 24  
Vessel insulation 25



47247-EN-150615





Printing date:

# VEGA

All statements concerning scope of delivery, application, practical use and operating conditions of the sensors and processing systems correspond to the information available at the time of printing.

Subject to change without prior notice

© VEGA Grieshaber KG, Schiltach/Germany 2015



47247-EN-150615

VEGA Grieshaber KG  
Am Hohenstein 113  
77761 Schiltach  
Germany

Phone +49 7836 50-0  
Fax +49 7836 50-201  
E-mail: [info.de@vega.com](mailto:info.de@vega.com)  
[www.vega.com](http://www.vega.com)