

SHP-D01

Door Station

Product Information

Model: SHP-D01

Package Lists:

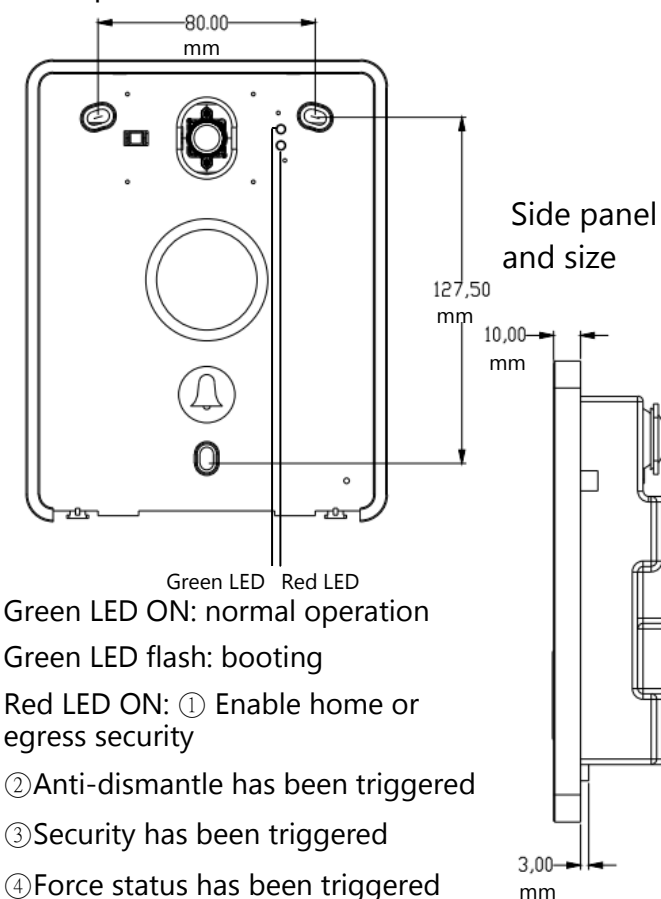
- SHP-D01 door station X 1
- RS485 cable X 1
- DIO cable X 1
- M4 * 30mm screw X 3
- 8mm brass pipe + spring X 1
- Quick Guide X 1

1. SHP-D01 Specifications

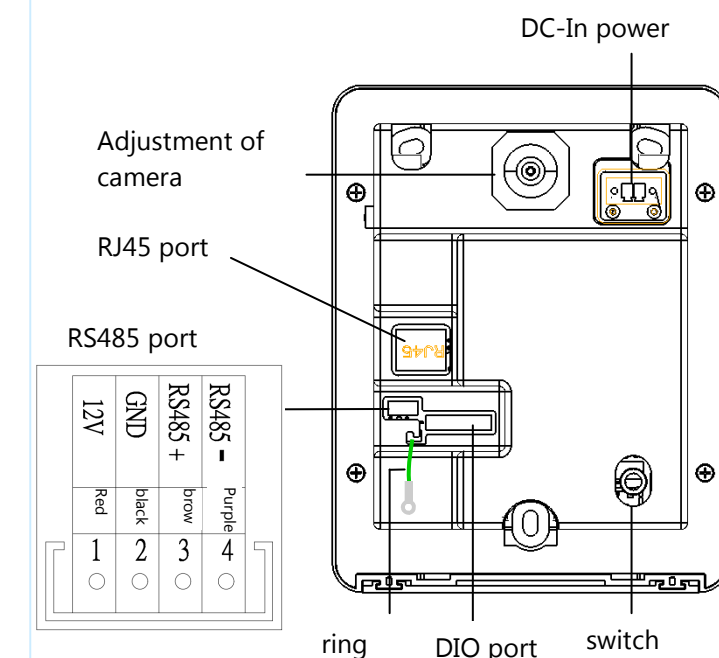
Item	Description
Camera	500 megapixel wide-angle color lens Brightness exposure LED
Reader (RFID)	Support 13.56MHz, ISO14443A standard
Network Interface	RJ-45
Network transmission rate	10/100M
Power	DC-12V
Power consumption	<10W
Operating temperature	0~40°
Humidity	0~95%, non-condensing

2. SHP-D01 Front/Side panel

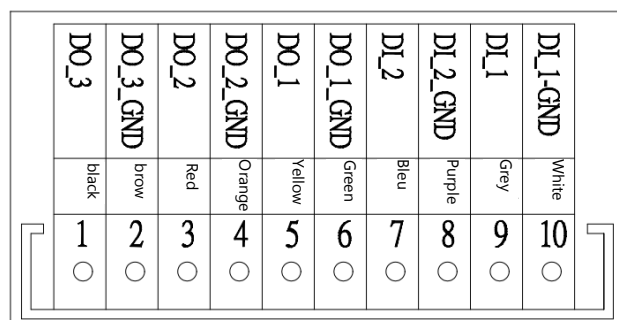
Front panel and size



3. SHP-D01 back panel



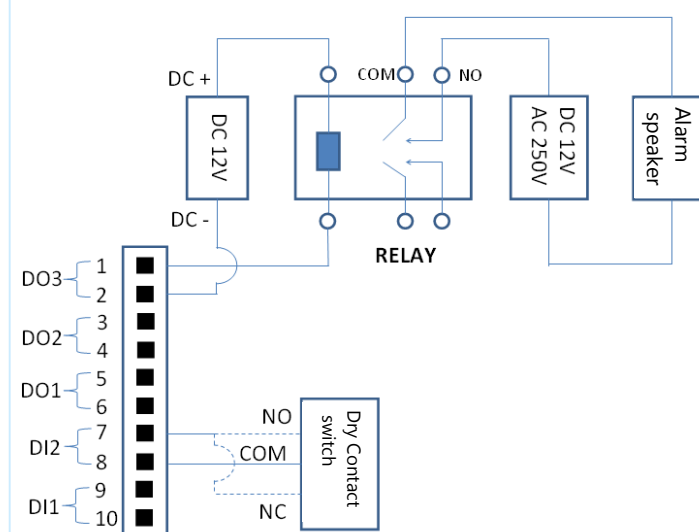
DIO pin definition



DIO definition

DIO	Definition	Notes
DI1	reserved	reserved
DI2	reserved	reserved
DO1	Open the door	Connect NO Relay default status is On
DO2	reserved	reserved
DO3	reserved	reserved

4. Relay connection (use OMRON MY2-J Relay as an example)

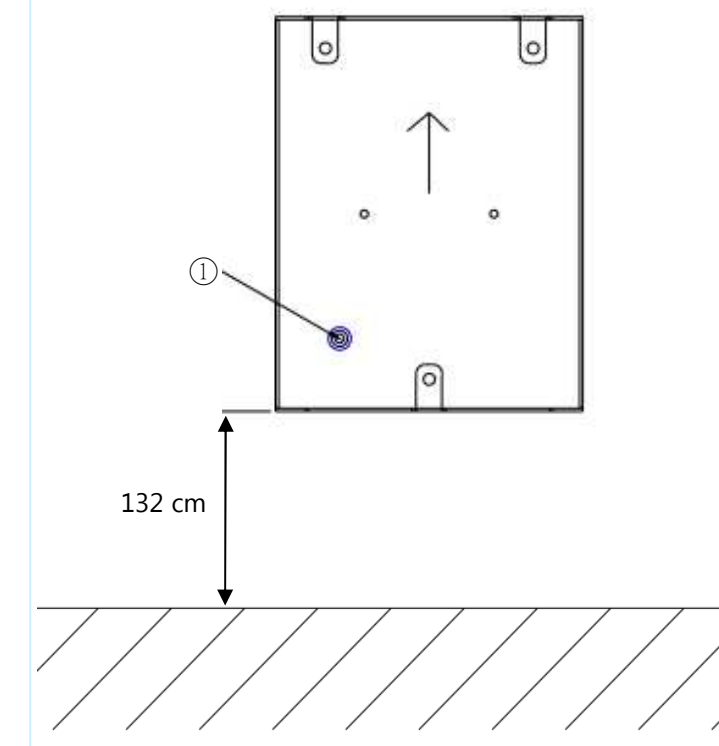


Note:

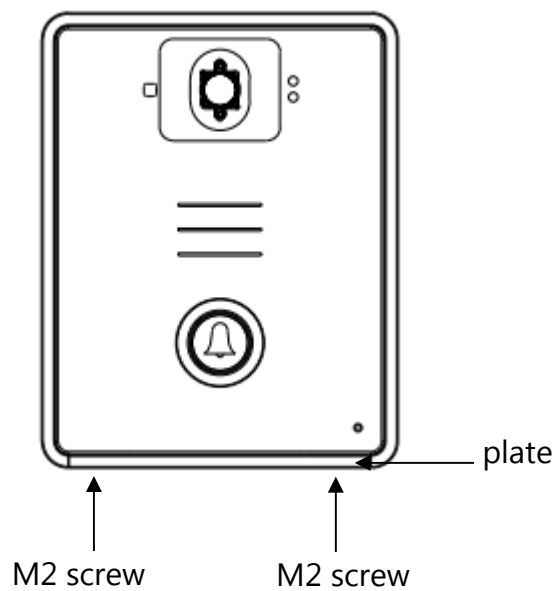
1. This diagram is for reference only, please see DIO definition for actual connection.
2. Max. value of motion for DIO is 400mA.
3. DI can externally connect to spring switch and NC of the dry contact. If the same DI needs to use 2 or more spring switches, connect by series.
4. DI that externally connects to switch (eg, doorbell, emergency pressure deduction) and gas detector, can connect to NO. To use 2 or more devices, connect by series.
5. If DI2 of the door station is not connected to door detector, please short DI2 and DI2GND.
6. When DO connects to electric lock, power supply locks, interruption of power supply unlocks.
7. When DO connects to alarm, alarm connects to Relay NO, motion on Relay will enable the alarm.

5. SHP-D01 Installation steps

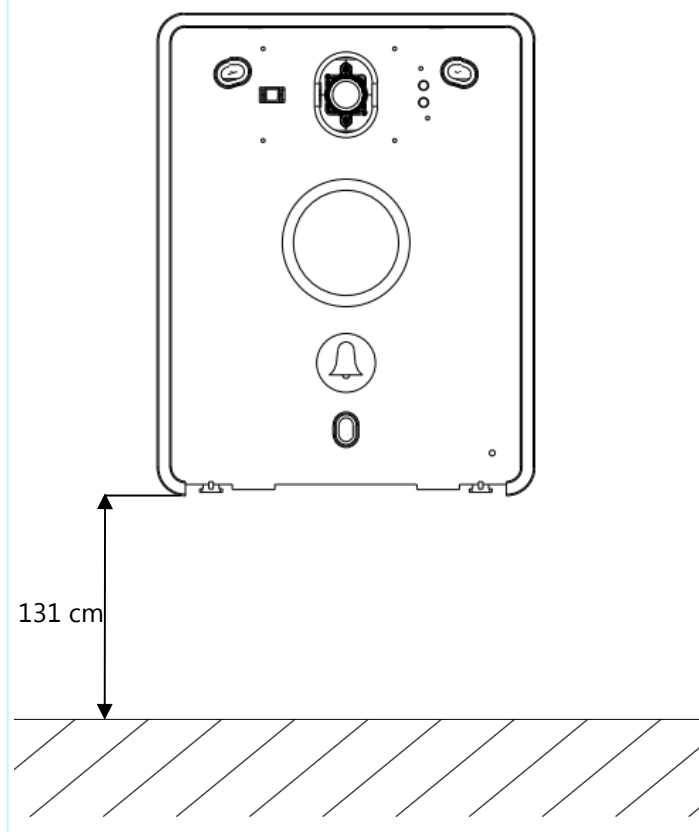
1. Put brass pipe + spring on the embedded box, as indicated in the ①.
2. Distance between bottom of the embedded box and the ground is 132 cm.



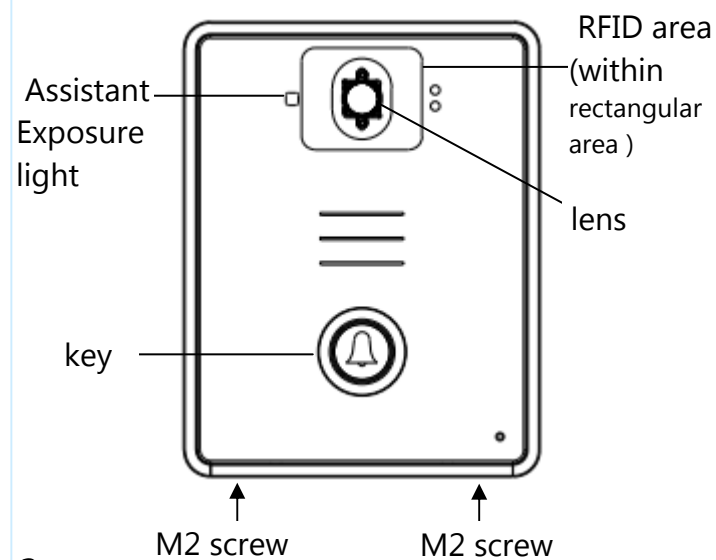
3. Remove two M2 screws from the bottom of the plaque. Take off the plate in order to separate the plaque and the main part.



4. Use M4 screw to fix the main part.
5. Distance between bottom of the door station and the ground is 131 cm. Please consider the thickness of the tile or marble.



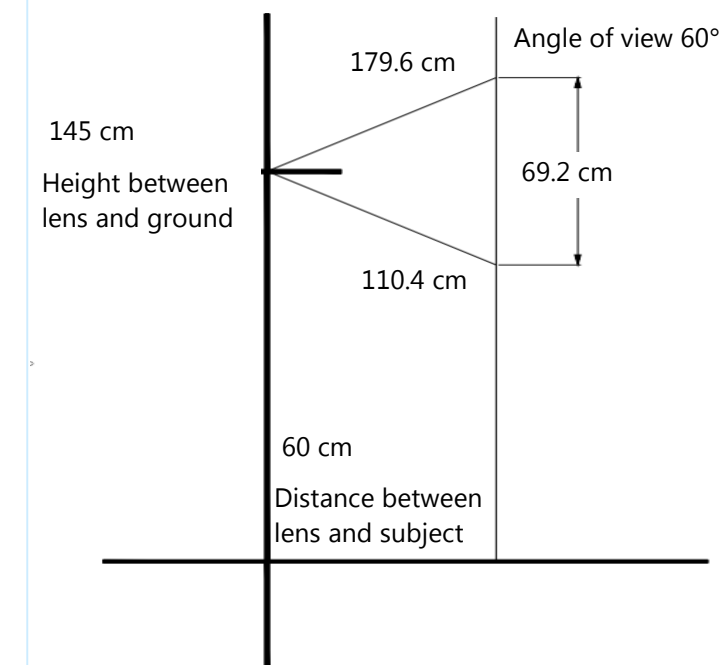
6. Put the front plaque and plate back. Fix the bottom with two M2 screws.



Note:

1. Be careful of the orientation during installation.
2. Please do not install any other device close to the door station, keep at least 10 cm of distance.

6. SHP-D01 installation diagram



This device complies with part 15 of the FCC Rules. Operation is subject to the following two conditions:
(1) This device may not cause harmful interference.
(2) This device must accept any interference received, including interference that may cause.

CAUTION! To prevent shock, do not remove cover. No user serviceable parts inside. Refer servicing to qualified personnel.

For more information on this and other VIA products, please visit :
www.viatech.com/en/

VIA Technologies, Inc.
1F, 531, Zhong-zheng Road,
Xindian District, New Taipei City
231, Taiwan
Tel: 886-2-2218-5452
Fax: 886-2-2218-5453