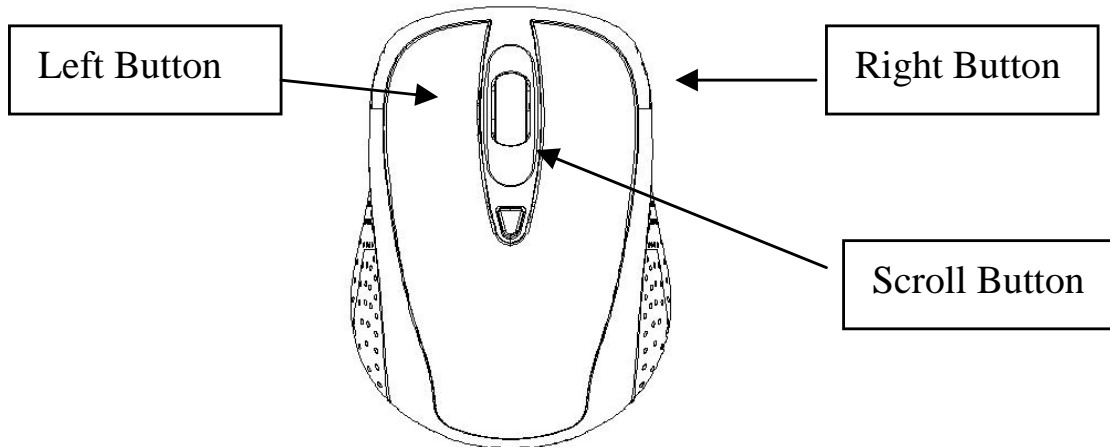


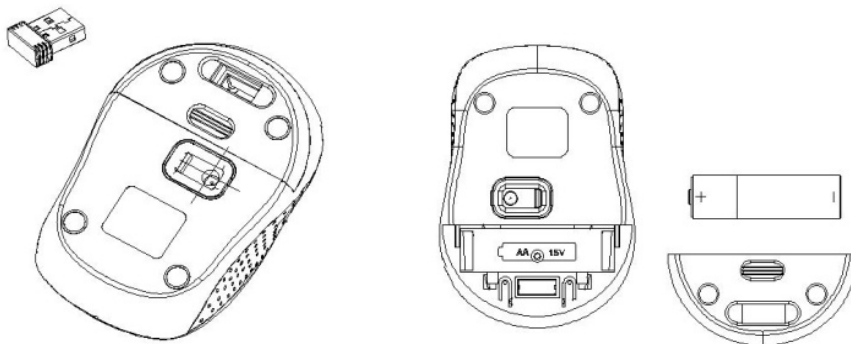
WIRELESS MOUSE

Model: JM-9009DG24



1. Installing the batteries

- A. Remove the USB nano receiver from the bottom of the mouse
- B. Open the battery compartment on the bottom of the mouse
- C. Insert the included AAA battery
- D. Close the battery compartment.



2. Connecting the nano receiver to your computer

A. Turn on your computer

B. Connect the nano receiver to a free USB port on your computer

**** The nano receiver must be connected to USB2.0 device only.****

The nano receiver will be recognized and installed automatically .no driver installation is required.

The mouse begin work when you press the any key of mouse (left/middle/right)

3. Storing the Nano receiver

When you are finished with using your mouse, you can store the nano receiver in the bottom of the mouse .unplug the nano receiver from your computer and insert the nano receiver in the compartment on the bottom of the mouse

4. Change mouse settings

You can customize several mouse settings through the 'Mouse' option in the control chanel. These settings are default windows settings, available for every mouse

.open your control panel (start, control panel) and select the 'mouse' option.

The mouse properties will be shown on your display, where you can change several settings like:

- change the configuration for left or right handed use
- adjust the pointer speed
- change visibility options
- change scroll wheel behavior

5. Solving connection problems

If your mouse is not working properly, the connection can be distorted.

You can reset the connection between the mouse and the USB nano receiver by pressing the reset button on the bottom of the mouse, while the USB nano receiver is inserted in your computer and your computer is turned on

Note :

1)if you don't using the mouse a long time (more than 10 minutes),it will enter power-saving mode, the mouse can work by pressing the any mouse key (left / middle / right key)

2)if you unplug the receiver ,the mouse will enter power-saving model also, the receiver can work again through pressing the any key of mouse (left /middle/left) when you connect the nano receiver to usb port again .

WARRANTY CONDITIONS

1. Warranty period, begins the date the good is delivered and lasts for 3 years.
2. The good, covering all its parts, as a whole, is covered by our company's warranty.
3. In the case that the good is defective within the warranty period, the time of repair is added to the warranty period. The repair time of the good is maximum 20 business days. This period begins when the defect of the good is submitted to the service station, and in case of no service station, to the dealer, seller, representative, importer or producer- manufacturer. In case the defect of the good is not resolved within 10 business days, , the producer-manufacturer or the importer, is obliged to provide a similar good for the use of the consumer, until the repairing period is completed.
4. In case the good is out of order, arising of the material and workmanship or assembly errors, within the warranty period, it will be repaired free of charge, any charge called workmanship expense, spare part cost or any other will not be charged.
5. Even if the consumer uses his right to repair, if the good;
 - following the date of delivery to the consumer, has defects within the warranty period in one year , the same defect more than two times; or different defects for more than four times, or the various defects within the warranty period becomes a total of six; and these defects lead to prevent the continuous using of the good
 - ☞ if the required maximum time limit for repair is exceeded
 - ☞ if it is determined that the repair of defect is not possible with a report to be issued by the company service station ,and in case of no service station, issued by the dealer, seller, representative, importer or producer- manufacturer.

The consumer may claim the substitution of the good, return of the value paid or a

value discount on the rate of defect.

6. The warranty does not cover the defects arising of the misuse of the good, contrary to the using instructions in the user's guide.

7. The life of the products determined by the Customs and the Ministry of Commerce for 3 years. Product is guaranteed for the life

8. For the issues to rise of the Warranty Certificate, the claims may be made to Ministry of Customs and Trade, Protection of Consumers and Competition Office

FCC Statement

This equipment has been tested and found to comply with the limits for a Class B digital device, pursuant to part 15 of the FCC Rules. These limits are designed to provide reasonable protection against harmful interference in a residential installation. This equipment generates, uses and can radiate radio frequency energy and, if not installed and used in accordance with the instructions, may cause harmful interference to radio communications. However, there is no guarantee that interference will not occur in a particular installation. If this equipment does cause harmful interference to radio or television reception, which can be determined by turning the equipment off and on, the user is encouraged to try to correct the interference by one or more of the following measures:

- Reorient or relocate the receiving antenna.
- Increase the separation between the equipment and receiver.
- Connect the equipment into an outlet on a circuit different from that to which the receiver is connected.
- Consult the dealer or an experienced radio/TV technician for help.

This device must not be co-located or operating in conjunction with any other antenna or transmitter. Operation is subject to the following two conditions:

- (1) this device may not cause harmful interference, and
- (2) this device must accept any interference received, including interference that may cause undesired operation.

Caution!

The manufacturer is not responsible for any radio or TV interference caused by unauthorized modifications to this equipment. Such modifications could void the user authority to operate the equipment.