

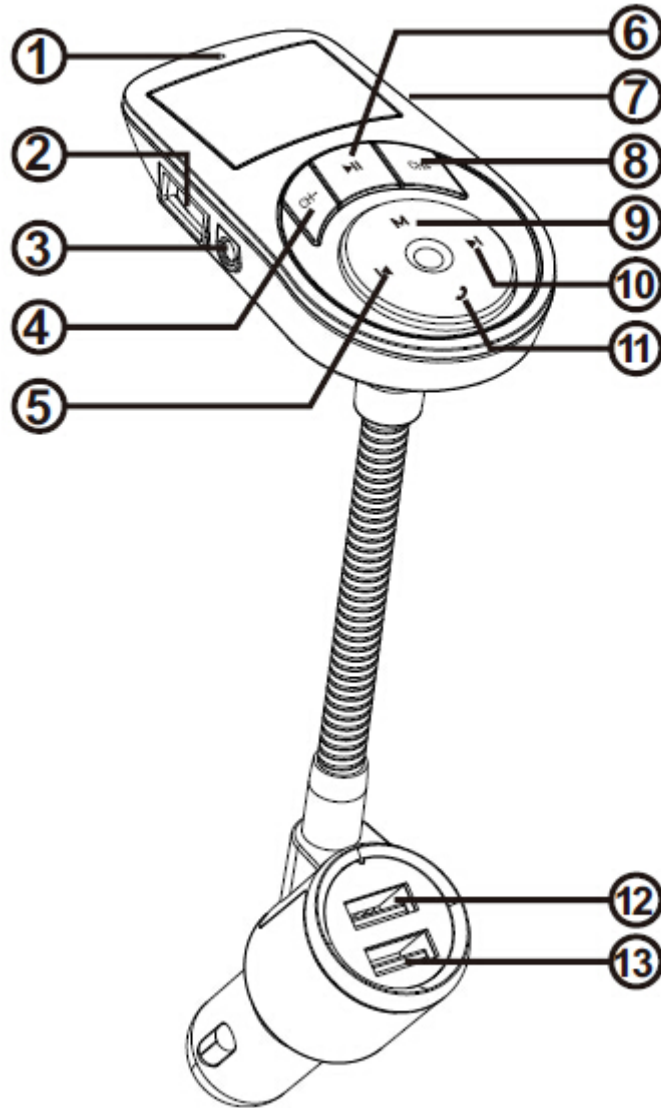
车载蓝牙 FM 发射器

使用说明

Bluetooth FM Transmitter

User Manual

产品示意图



1.麦克风 2.U 盘端口(32G Max) 3. AUX Port 4.频率- 5.上一曲 6.暂停/播放/确认键
7.TF 卡槽(32G Max) 8.频率+ 9.多功能键 10.下一曲 11.打电话/结束通话 12.
5V/1.0A USB 充电口 13. 5V/2.4A USB 充电口

Diagram

1.Microphone 2.U Disk Port (32G Max.) 3.AUX Port 4.Frequency- 5.Previous Track
6.Pause/Play/Confirm 7.TF Card Slot (32G Max.) 8.Frequency+ 9.Malfunction Button
10.Next Track 11.Call/End 12.5V/1.0A USB Charging Port 13.5V/2.4A USB Charging Port

规格

连接技术：蓝牙

蓝牙频率：2.402~2.480 GHz

蓝牙距离：5 米

FM 频率：87.5~108.0 MHz

Specifications

Connection Technology: Bluetooth

Bluetooth Frequency: 2.402~2.480 GHz

Bluetooth Range: 5 meters

Effective Frequency: 87.5MHz~108.0MHz

开机

将产品插入车辆点烟器，FM 发射器会自动开机，并显示汽车点烟口的输入电压。或者在产

品通电状态下，长按电话键 5 秒开机。

Power On

Plug the transmitter into the cigarette socket, then it will power on automatically with displaying the input voltage of the cigarette socket.

关机

长按电话键 5 秒

FM 模式：

A.长按“M”键，进入“FM”模式

B.按“CH+”/“CH-”按钮调节 FM 发射器的 FM 频率与汽车 FM 频率为同一空白频率。

C.FM 模式下，通过按“M”键选择 TF 卡或 U 盘、蓝牙、line in 作为音频源。

FM Mode:

A.Long press“M” button, and it will enter “FM” mode.

B.Press “CH+” or “CH-” to tune the FM frequency of the transmitter to a blank frequency, which is consistent with that of the car’s.

C.In FM mode, press “M” button to select the audio source among TF card, U disk, Bluetooth or line in.

Auxout 模式：

A.长按“M”键，切换为“Aux out”模式。

B.使用 3.5mm 音频线将音频设备与 FM 发射器产品进行连接。

C.通过按“M”键，选择 TF 卡或 U 盘、蓝牙作为音频源。

Aux outMode

A.Switch to Aux outmode by long pressing “ M” button.

B.Connect the audio device to the FM transmitter with the 3.5mm audio cable.

C.Press“M” button to select the audio source among TF card, U disk, or Bluetooth.

功能：

1.TF 卡或 U 盘

在 FM 模式或者 **Aux out** 模式下，插入 TF 卡或 U 盘，产品可自动播放音乐。

A. 文件夹选择

当正在从 TF 卡与 U 盘播放音乐时,长按“▶|||”键,进入功能菜单。通过“⏪”与“⏩”键选择“Folder”,按“▶|||”键进入歌曲文件夹,通过“⏪”与“⏩”键选择你喜欢的歌曲,按“▶|||”键确认选择。

B. 播放模式选择

长按“▶|||”键,进入功能菜单,通过“⏪”与“⏩”键选择“Play Mode”,按“▶|||”键进入模式选择,通过“⏪”与“⏩”键选择“REPEATALL”(对应标识 )、“REPEATONE”(对应标识 )、“RANDOM”(对应标识 )、“REPEATFOLDER”(对应标识 )模式,按“▶|||”键确认选择。

C. 音量调节

长按“⏪”与“⏩”,调节音量。

D. 歌曲选择

通过按“⏪”与“⏩”键选择歌曲。

E. 暂停/播放

通过按“▶|||”键,暂停/播放歌曲。

Function:

1.TF card or U disk

In FM mode or **Aux out** mode, the transmitter will play music automatically if the TF card or U disk is inserted.

A. Folder Selection

Long press “▶|||” button to enter the function menu when you are playing music from the TF card or U disk. Press “⏪” button or “⏩” button to select “Folder”. Press “▶|||” button to enter the music folder, select your favorite song by pressing “⏪” or “⏩” and press “▶|||” to confirm.

B. Play Mode Selection

Long press “▶|||” to enter the function menu, then press the button “⏪” or “⏩” to select the “Play Mode”. Press the button “▶|||” to enter the mode selection. Press the button “⏪” or “⏩” to select “REPEAT ALL”/ “REPEAT ONE”/ “RANDOM”/ “REPEAT FOLDER” and press “▶|||” to

confirm.

C. Volume Adjustment

Long press “⏮” or “⏭” to adjust the volume.

D. Track Selection

Press “⏮” or “⏭” to select a track.

E. Pause/Play

Press “▶⏮” button to pause or play music.

2. 蓝牙

在 FM 模式或者 Aux out 模式下，将 FM 发射器与智能设备配对：打开智能设备上的蓝牙功能，搜索“BH163B”，连接并配对，在配对过程中，蓝牙图标会闪烁，配对完成，蓝牙图标不闪烁，打开智能设备音乐 APP，点击 app 音乐播放或点击 FM 发射器上的“▶⏮”即可播放音乐。

A. 音量调节

长按“⏮”“⏭”，调节音量。

B. 歌曲选择

通过按“⏮”“⏭”键选择歌曲。

C. 暂停/播放

通过按“▶⏮”键，暂停/播放歌曲。

D. 蓝牙免提通话

蓝牙条件下蓝牙连接成功后，可使用本产品接听与拨打电话。

1. 接听电话：按“☎”键。
2. 挂断电话：再次按“☎”键。
3. 末号重播：双击“☎”键。
4. 拒接来电：长按“☎”键两秒。
5. 通话状态下，长按通话键，转为手机私密通话

2. Bluetooth

In FM mode or **Aux out** mode, pair the FM transmitter with the smart device: turn on the Bluetooth function of the smart device, and search for "BH163A" to connect and pair. During the pairing, the Bluetooth icon will flash. It doesn't flash until the pairing is completed. Turn on the music APP of the smartphone device or press the "▶||" button of the FM transmitter to play music.

A. Volume Adjustment

Long press "⏮" or "⏭" button to adjust the volume.

B. Track Selection

Select tracks by pressing "⏮" or "⏭" button.

C. Pause/Play

Pause or play music by pressing "▶||" button.

D. Bluetooth hand free call

In Bluetooth mode, receive calls or dial via the transmitter.

1. Receive calls: Press "☎" button.

2. Hang up: Press "☎" button again.

3. Redial last number: Double press "☎" button.

4. Refuse calls: Long press "☎" button for two seconds.

3. Line in

在 FM 模式下，通过 3.5mm 音频线将音乐设备（如 Mp3）与 FM 发射器连接，

按“M”键进入“Line in”状态，打开音乐设备（如 Mp3）并点击音乐设备播放音乐。此功能下，

FM 发射器可实现音量调节、暂停/播放。

A. 音量调节

长按“⏮”/“⏭”，调节音量。

B. 暂停/播放

通过按“▶||”键，暂停/播放歌曲。

3. Line in

In FM mode, connect the music device (such as MP3) to the FM transmitter with 3.5 mm audio cable.

Press "M" button to enter "Line in" state; Turn on the music device (such as MP3) and play music. Meanwhile, the FM transmitter has the following functions: volume adjustment and pause or play.

A. Volume Adjustment

Long press "⏮" or "⏭" button to adjust the volume.

B. Pause/Play

Press "▶||" button to pause or play music.

4. 清除配对列表

长按“▶”键，进入功能菜单。通过“◀”/“▶”键，选择“Clear Pairing”。按“▶”确认清除配对信息，即可清除配对列表信息。

4.Clearing the Paired Lists

Long press “▶” to enter the function menu. Choose “Clear Pairing” by pressing “◀” or “▶” button. Then, press “▶” to confirm that the paired information has been removed, so the paired list is deleted.

5.智能充电功能

双 USB 智能充电口可以同时充电两台设备，最大输出 5V/2.4A。

5.Smart Charging Function

Two USB smart charging ports enable you to charge for two devices at the same time and the maximum output is 5V/2.1A.

6.记忆功能

当 FM 发射器断电后，再次开机时恢复断电前状态。

6.Memory Function

When the FM transmitter is turned on again, it will recover to its previous state.

7.熄屏/唤醒屏

A.双击“M”键可手动熄屏，产品继续工作；

B.5 分钟不操作 FM 发射器后，自动熄屏，产品继续工作。

C.任意键或者来电自动唤醒。

7.Screen Sleep/ Screen Wakeup

A.Double press “M” button to manually turn off the screen while the transmitter continues working.

B.If the FM transmitter has been lain idle for 5 minutes, it will automatically turn off the screen while continuing working.

C.Press any button to wake it up or it will automatically wake up with coming calls.

NOTE: This equipment has been tested and found to comply with the limits for a Class B digital device, pursuant to part 15 of the FCC Rules. These limits are designed to provide reasonable protection against harmful interference in a residential installation. This equipment generates uses and can radiate radio frequency energy and, if not installed and used in accordance with the instructions, may cause harmful interference to radio communications. However, there is no guarantee that interference will not occur in a particular installation. If this equipment does cause harmful interference to radio or television reception, which can be determined by turning the equipment off and on, the user is encouraged to try to correct the interference by one or more of the following measures:

- Reorient or relocate the receiving antenna.
- Increase the separation between the equipment and receiver.
- Connect the equipment into an outlet on a circuit different from that to which the receiver is connected.
- Consult the dealer or an experienced radio/TV technician for help

Changes or modifications not expressly approved by the party responsible for compliance could void the user's authority to operate the equipment. This device complies with Part 15 of the FCC Rules. Operation is subject to the following two conditions:

- (1) this device may not cause harmful interference, and
- (2) this device must accept any interference received, including interference that may cause undesired operation.