

Go to www.vtechphones.com to register your product for enhanced warranty support and the latest VTech product news.

VM2251
VM2251-2

Video Monitor



vtech[®]
User's manual

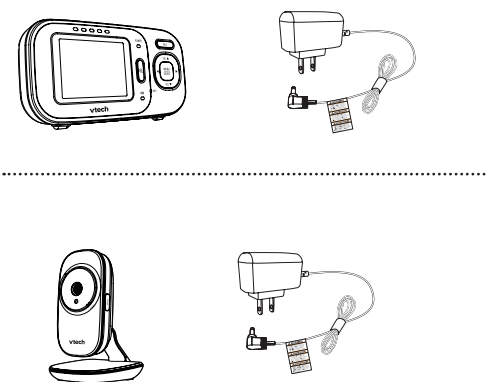
Congratulations

on purchasing your new VTech product. Before using this product, please read **Important safety instructions**.

This manual has all the feature operations and troubleshooting necessary to install and operate your new VTech product. Please review this manual thoroughly to ensure proper installation and operation of this innovative and feature rich VTech product.

For support, shopping, and everything new at VTech, visit our website at www.vtechphones.com.

What's in the box



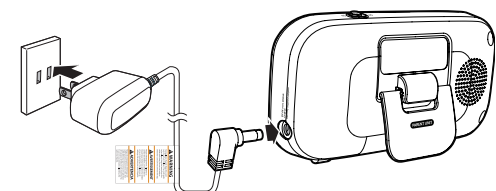
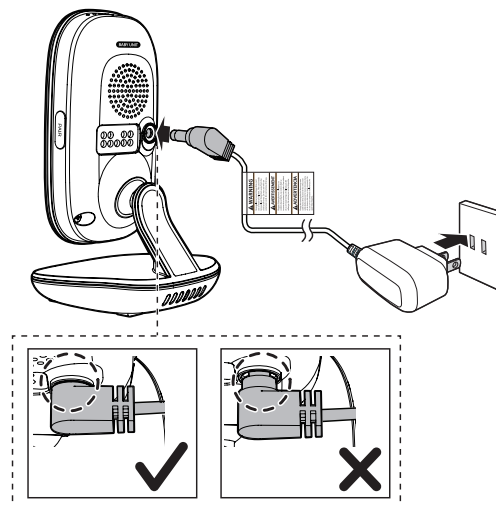
1 set for VM2251
2 sets for VM2251-2

Connect and charge the battery

NOTES

- The rechargeable battery is pre-installed in your parent unit.
- Use only the power adapters supplied with this product.
- Make sure the electrical outlets are not controlled by wall switches.
- The power adapters are intended to be correctly oriented in a vertical or floor mount position. The prongs are not designed to hold the plug in place if they are plugged into a ceiling, under-the-table or cabinet outlet.
- Make sure the parent unit, the baby unit and the power adapter cords are out of reach of children.

Connect the baby monitor



Charge the parent unit battery

When you have connected and turned on the parent unit, the battery will be charged automatically. The battery icon indicates the battery status (see the following table).

NOTES

- The parent unit battery is fully charged after 11 hours of continuous charging.
- It takes longer to charge the battery when the parent unit is turned on. To shorten the charging time, turn the parent unit off while charging.
- The standby time varies depending on the volume level you set and your actual use.

Battery indicators	Battery status	Action
The screen displays Battery low at Parent Unit . The or light flashes.	The battery has very little charge and may be used for only a short time.	Charge without interruption (about 30 minutes).
The battery icon becomes solid .	The battery is fully charged.	To keep the battery charged, connect it to AC power when not in use.

Before use

NOTE

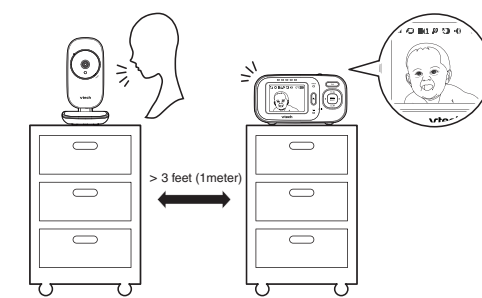
- This baby monitor is intended as an aid. It is not a substitute for proper adult supervision, and should not be used as such.

Test your baby monitor

You may test the baby monitor before initial use, and at regular times thereafter.

CAUTION

- For hearing protection, make sure the parent unit is more than 3 feet (1 meter) away from both baby units. If you hear any high-pitched noise, move the parent unit further until the noise stops. You can also press **VOL** on the parent unit to lower or mute the noise.



- Make sure your baby unit and parent unit are on.
- The parent unit displays images from the baby unit.
 - Speak towards the microphone of the baby unit. You will hear the sound at the parent unit.
- If you have two baby units, view the image from one of them by switching cameras via menu. Then, repeat step 2.

NOTE

- When the parent unit displays **No link to Camera**, and the **POWER LED** light flashes, move the parent unit closer to the baby units (observe the minimum distance of 3 feet / 1 meter). You can also check if the baby monitor is connected to a live power socket and switched on.

TIP

- Increase the speaker volume of the parent unit if you cannot hear the sounds transmitted from the baby units.

Positioning the baby monitor

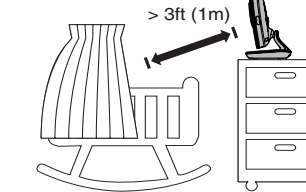
CAUTION

- Keep the baby unit out of the reach of your baby. Never place or mount the baby unit inside the baby's crib or playpen.

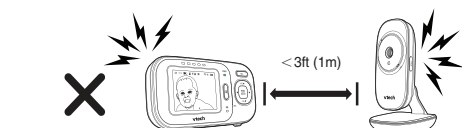
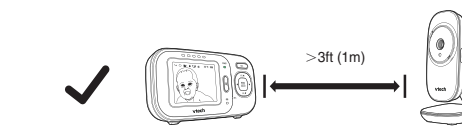
NOTE

- To avoid interference from other electronic devices, place your baby monitor far away from devices such as wireless routers, microwaves, cell phones and computers.

- Place the baby units more than 3 feet (1 meter) away from your baby.



- Place the parent unit more than 3 feet (1 meter) away from the baby units.



- Adjust the angle of the baby unit camera to aim at your baby.



CAUTION

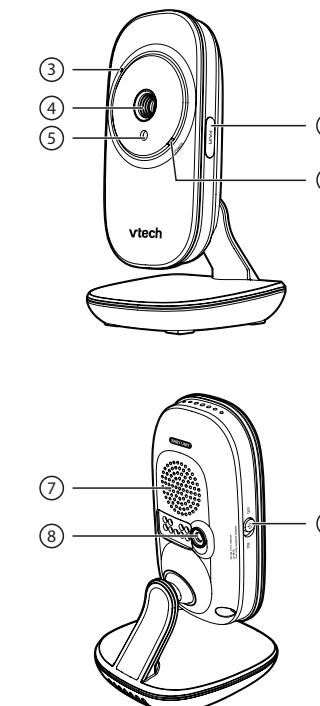
- The default volume of your parent unit is level 3. If you experience high-pitched screeching noise from your baby monitor while positioning:
 - Make sure your baby units and parent unit are more than 3 feet (1 meter) apart, OR
 - Turn down the volume of your parent unit.

Operating range

The operating range of the baby monitor is up to 1000 feet (300 meters) outdoors or 160 feet (50 meters) indoors. The actual operating range may vary depending on the environmental conditions and other interferences such as walls, doors and other obstructions.

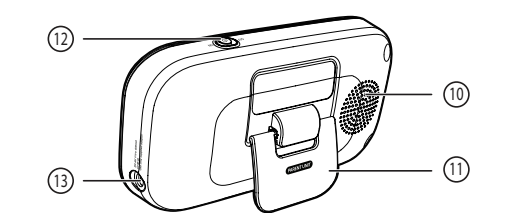
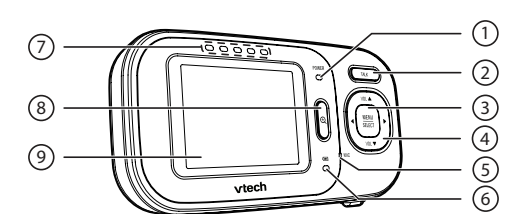
Overview

Baby unit overview



1	PAIR button
2	Power indicator <ul style="list-style-type: none"> On when the baby unit is turned on and is paired to the parent unit. Flashes when the baby unit is not being viewed; or when the link to the parent unit is lost.
3	Microphone
4	Camera

5	Light sensor
6	ON/OFF switch <ul style="list-style-type: none"> Slide to turn on or off the baby unit.
7	Speaker
8	Power jack <ul style="list-style-type: none"> Connects with AC power adapter.



Parent unit overview

1	Power indicator <ul style="list-style-type: none"> Green when the parent is powered on. Flashes green when no link to camera.
2	TALK <ul style="list-style-type: none"> Press and hold to talk to the selected baby unit in SINGLE-CAM or PATROL mode.
3	MENU/SELECT <ul style="list-style-type: none"> Press to enter or exit the menu. While in a sub-menu, press to choose an item, or save a setting.

4	Arrow keys and VOL▲ / VOL▼ <p>VOL▲</p> <ul style="list-style-type: none"> Press to increase the parent unit speaker volume. While in a menu, press to scroll up, or to enter an item's sub-menu. While zooming in SINGLE-CAM or PATROL mode, press and hold to move the zoomed image upward. <p>VOL▼</p> <ul style="list-style-type: none"> Press to decrease the parent unit speaker volume. While in a menu, press to scroll down. While zooming in SINGLE-CAM or PATROL mode, press and hold to move the zoomed image downward. <p>◀</p> <ul style="list-style-type: none"> While in a menu, press to choose the next item on the left. While zooming in SINGLE-CAM and PATROL mode, press and hold to move the zoomed image leftward. <p>▶</p> <ul style="list-style-type: none"> While in a menu, press to choose the next item on the right. While zooming in SINGLE-CAM or PATROL mode, press and hold to move the zoomed image rightward.
5	MIC
6	Battery indicator <ul style="list-style-type: none"> Red when battery is charging. Flashes red when battery is low.

7	Visual sound indicator <p>○ ○ ○ ○ ○</p> <p>The visual sound indicator can show the sound level detected by the baby unit.</p> <p>Sound level detected by the baby unit</p> <ul style="list-style-type: none"> ● ● ● ● ○ One to three green lights indicate a moderate sound level detected by the baby unit. ● ● ● ● ● Additional red lights indicate a higher sound level detected by the baby unit (e.g. baby crying loudly).
8	Zoom <ul style="list-style-type: none"> Press to zoom in or out while viewing image in SINGLE-CAM or PATROL mode.
9	Main screen
10	Speaker
11	Stand
12	ON/OFF switch <ul style="list-style-type: none"> Slide to turn on or off the parent unit.
13	Power jack

Parent unit status icons

	Connection status <ul style="list-style-type: none"> or displays when strong signal strength is detected between the baby unit and the parent unit. or displays when moderate or low signal strength is detected between the baby unit and the parent unit. displays when the link between the baby unit and the parent unit is lost.
	Patrol mode <ul style="list-style-type: none"> Displays when the parent unit is in PATROL mode.
	Current view status <ul style="list-style-type: none"> Displays the baby unit number that is being viewed when in SINGLE-CAM or PATROL mode.
	Zoom <ul style="list-style-type: none"> Displays when the camera at the baby unit has zoomed in.
	Night vision <ul style="list-style-type: none"> Displays when the baby unit being viewed has activated the night vision feature.
	Mute alert <ul style="list-style-type: none"> Displays when the parent unit speaker volume is set to off.
	Real-time temperature <ul style="list-style-type: none"> Displays the real-time temperature detected by the baby unit in Fahrenheit (°F) or Celsius (°C) (e.g. 57 °F or 14 °C).
	Battery status <ul style="list-style-type: none"> animates when the battery is charging. displays solid when the battery is fully charged. displays when the battery is low and needs charging.
	Speaker volume <ul style="list-style-type: none"> Displays the parent unit speaker volume level while adjusting.

Parent unit main menu icons

	Monitoring mode <p>You can enter the monitoring mode to view the video from the baby unit.</p>
	Brightness <p>You can change the brightness of the parent unit screen.</p>
	LCD screen off timer <p>You can set a specific time to turn the screen off.</p>
	VOX Sensitivity <p>With this feature, you can choose to hear sounds from the baby unit all the time, or to hear sounds that exceed a certain level. You can use the parent unit to adjust the microphone sensitivity of your baby unit. The higher the sensitivity level, the more sensitive the baby unit is in detecting sounds for transmitting to the parent unit.</p>
	Sound-activated screen <p>Automatically turns on the parent unit screen when a baby unit detects a sound after the screen is turned off. When no sound is detected, the screen is automatically off to save power.</p>
	Temperature <p>You can turn on the temperature alert tone so that the parent unit beeps whenever the room temperature detected by the baby unit falls outside of the desired temperature range.</p> <p>You can also set the temperature format to display the real-time temperature in baby's room, or set the maximum/minimum temperature limit for alerts.</p>

Parent unit warning icons and messages

	/No link to Camera <p>The selected baby unit is out of range or is turned off.</p>
	/Battery low at Parent Unit <p>The battery is empty and needs to be recharged.</p>
	Searching for baby units <p>The parent unit is searching for baby units.</p>
	/Temperature too high <p>The temperature detected by the baby unit is higher/lower than the desired temperature alert range.</p>
	/Temperature too low <p>The parent unit is searching for baby units.</p>

* # represents the selected baby unit number.

Using the baby monitor

Power on or off the baby unit

- Slide the **ON/OFF** switch up to turn on the baby unit. The **POWER LED** light turns on.
- Slide the **ON/OFF** switch down to turn off the baby unit. The **POWER LED** light turns off.

Power on or off the parent unit

- Slide the **ON/OFF** switch to **ON** to turn on the parent unit. The screen and the **POWER LED** light turns on.
- Slide the **ON/OFF** switch to **OFF** to turn off the parent unit. The screen and the **POWER LED** light turns off.

Adjust parent unit speaker volume

- Press **VOL▲/VOL▼** on the parent unit to adjust the speaker volume.

NOTE

- When the parent unit speaker volume is set to off, appears on the screen.

Adjust LCD brightness

You can change the brightness of the parent unit screen from **Level 1** to **Level 5**. The LCD brightness is preset to **Level 3**.

- Press **MENU** when the parent unit is idle.
- Press **◀** or **▶** to choose , then press **▲**.
- Press **▼** or **▲** to choose the desired level of brightness, then press **MENU** to confirm your selection.

Monitoring mode

Every time the parent unit is turned on, it displays a baby unit in **SINGLE-CAM** mode. If there are more two baby units in your system, you can also monitor your baby in **PATROL** mode.

SINGLE-CAM	The screen displays image of a single baby unit in full screen.
PATROL	A single cam view that transits to a different baby unit every 10 seconds.

Change monitoring mode

To change the monitoring mode from SINGLE to PATROL mode:

- Press **MENU** to enter the main menu.
- Press **◀** or **▶** to choose , then press **▲** to open the submenu.
- Press **▲** or **▼** to select to enter **PATROL** mode to alternately view the image from one baby unit to the next one in every 10 seconds.

To change the monitoring mode from PATROL to SINGLE mode:

- Press **MENU** to enter the main menu.
- Press **◀** or **▶** to choose , then press **▲** to open the submenu.
- Press **▲** or **▼** to select a camera number to enter **SINGLE** mode.

NOTE

- If one or more paired baby units are powered off or disconnected during patrolling, the parent unit will keep searching until its power has run out or a baby unit is connected once again

Screen off timer

You can set the screen off time for the parent unit so that the screen will be automatically turned off after it is idle for a specific time interval. When the screen is turned off, you can still hear sound from the baby unit.

- Press **MENU** to enter the main menu when the parent unit is idle.
- Press **◀** or **▶** to choose , then press **▲** to open the submenu.
- Press **▼** or **▲** to choose the desired time period to automatically turn off screen (- 5 min./ - 30 min./ - 60min.), then press **MENU** to confirm your selection and return to idle screen.

VOX (sound-activated) sensitivity

You can choose to hear sounds from the baby unit all the time, or to hear sounds that exceed a designated level. You can use the parent unit to adjust the microphone sensitivity of your baby unit. The higher the VOX sensitivity level, the more sensitive the baby unit is in detecting sounds for transmitting to the parent unit. The VOX sensitivity level is preset to the highest level (**Level 5**).

VOX sensitivity level table for reference

Display	Sensitivity	Description
(Level 5) <div><div><div>■</div><div>■</div><div>■</div><div>■</div><div>■</div></div></div> <div><div><div>🔊</div></div></div>	High Sensitivity	Highest VOX sensitivity level <p>The parent unit speaker is constantly on, and you will hear all sounds (including background noises) from your baby's room.</p>
(Level 4) <div><div><div>■</div><div>■</div><div>■</div><div>■</div><div>■</div></div></div> <div><div><div>🔊</div></div></div>		High VOX sensitivity level <p>The parent unit speaker turns on for soft babbling and louder sounds from your baby. It remains quiet when your baby sleeps soundly.</p>
(Level 3) <div><div><div>■</div><div>■</div><div>■</div><div>■</div><div>■</div></div></div> <div><div><div>🔊</div></div></div>		Medium VOX sensitivity level <p>The parent unit speaker turns on for loud babbling and louder sounds from your baby. It remains quiet when your baby makes soft sounds</p>
(Level 2) <div><div><div>■</div><div>■</div><div>■</div><div>■</div><div>■</div></div></div> <div><div><div>🔊</div></div></div>		Low VOX sensitivity level <p>The parent unit speaker turns on for crying and louder sounds from your baby. It remains quiet when your baby makes soft sounds.</p>
(Level 1) <div><div><div>■</div><div>■</div><div>■</div><div>■</div><div>■</div></div></div> <div><div><div>🔊</div></div></div>	Low Sensitivity	Lowest VOX sensitivity level <p>The parent unit speaker turns on for loud crying or screeching sounds from your baby. It remains quiet when your baby makes soft sounds.</p>

- Press ^{MENU} to enter the main menu when the parent unit is idle.
- Press ◀ or ▶ to choose , then press ▲ to open the submenu.
- Press ▼ or ▲ to choose the desired level (refer to the VOX sensitivity level table), then press ^{MENU} ^{SELECT} to confirm your selection and return to idle screen.

^{NOTE}

- If the screen is off, and the setting of sound-activated screen is **ON**, then LCD screen will be turned on automatically when VOX sensitivity is triggered.

Sound-activated screen

When sound activation is on, as long as no sound is detected within 50 seconds, the parent unit screen will turn off automatically to save power.

When your baby unit detects a sound, which exceeds the selected sensitivity level, the sound activation triggers the parent unit screen to turn on automatically. When no sound is detected within 50 seconds, the screen will be off again.

- Press ^{MENU} ^{SELECT} to enter the main menu.
- Press ◀ or ▶ to choose , then press ▲ to open the submenu.
- Press ▼ or ▲ to set the function as **ON** or **OFF**, then press ^{MENU} ^{SELECT} to confirm your selection and return to idle screen.

Zoom

You can zoom in while viewing images from the baby unit in **SINGLE-CAM** and **PATROL** mode.

- Press to zoom in.
- Press ▼ or ▲ to move the zoomed image upward or downward.
- Press ◀ or ▶ to move the zoomed image leftward or rightward.
- Press again to zoom out.

Talk

You can use the **TALK** function of the parent unit to comfort your baby in **SINGLE-CAM** and **PATROL** mode.

Press **and hold TALK** on the parent unit.

- Speak towards the microphone on the parent unit. Your voice is broadcast to the baby unit.
- Release the **TALK** key to stop the broadcast.

Monitor the temperature

Your baby unit monitors the temperature of your baby's room with its built-in temperature sensor. If the detected temperature is out of the preset temperature range, the parent unit will display an alert message.

Set temperature range

You can set the desired room temperature alert range for the minimum temperature or the maximum temperature.

- Press ^{MENU} when the parent unit is idle.
- Press ◀ or ▶ to choose , then press ▲.
- Press ▼ or ▲ to choose , then press ^{MENU} ^{SELECT}.
- Press ▼ or ▲ to choose or , then press ^{SELECT}.
- Press ▼ or ▲ to choose the desired minimum or maximum temperature, then press ^{SELECT} to confirm your selection.

Temperature alert tone

You can turn on the temperature alert tone so that the parent unit will emit an alert tone if the detected temperature is out of range.

- Press ^{MENU} ^{SELECT} when the parent unit is idle.
- Press ◀ or ▶ to choose , then press ▲.
- Press ▼ or ▲ to choose , then press ^{MENU} ^{SELECT}.
- Press ▼ or ▲ to choose **ON** or **OFF**, then press ^{SELECT} to confirm your selection.

Temperature format

You can choose to display the temperature in Fahrenheit (°F) or Celsius (°C).

- Press ^{MENU} ^{SELECT} when the parent unit is idle.
- Press ◀ or ▶ to choose , then press ▲.
- Press ▼ or ▲ to choose ^{°F} or ^{°C}, then press ^{SELECT}.
- Press ▼ or ▲ to choose **F** or **C**, then press ^{MENU} ^{SELECT} to confirm your selection.

General product care

To keep this product working well and looking good, follow these guidelines:

- Avoid putting it near heating appliances and devices that generate electrical noise (for example, motors or fluorescent lamps).
- DO NOT expose it to direct sunlight or moisture.
- Avoid dropping the product or treating it roughly.
- Clean with a soft cloth.
- DO NOT immerse the parent unit and the baby unit in water and do not clean them under the tap.
- DO NOT use cleaning spray or liquid cleaners.
- Make sure the baby unit and parent unit are dry before you connect them to the mains again.

Storage

When you are not going to use the baby monitor for some time, store the parent unit, the baby unit and the adapters in a cool and dry place.

Frequently asked questions

Below are the questions most frequently asked about the baby monitor. If you cannot find the answer to your question, visit our website at **www.vtechphones.com**, or contact **1 (800) 595-9511** for customer service.

Why does the baby monitor not respond normally?	Try the following (in the order listed) for common cure: <ol style="list-style-type: none">Disconnect the power to the baby units and the parent unit. Wait a few seconds before connecting power back to the baby units and the parent unit. Turn on the baby units and the parent unit. Wait for the parent unit to synchronize with the baby units. Allow up to one minute for this to take place.
---	--

Why don't the power-on light of the baby unit and parent unit go on when I switch on the units?	Perhaps the parent unit is not connected to the power. Insert the appliance plug into the parent unit and put the adapter in a wall socket. Then press and hold the ○ ON/OFF to switch on the parent unit and to establish connection with the baby unit. <p>Perhaps the baby unit is not connected to the power. Insert the appliance plug into the baby unit and put the adapter in a wall socket. Then slide the ON/OFF switch to ON to switch on the baby unit and to establish connection with the parent unit.</p>
Why doesn't my parent unit charge while connected to AC power?	Make sure the power is not controlled by a wall switch.
Why is my screen in black and white?	The screen is in black and white during night-time or in a dark room when the night vision feature is activated. This is normal due to external light sources.
Why do I get glare or blurry display on my screen when viewing my baby at night?	During night-time or in a dark room, the surroundings and other interfering factors, like lightings, objects, colors and backgrounds may affect the image quality on your parent unit screen. Adjust the baby unit's angle or place the baby unit at a higher level to prevent glare and blurry display.
Why does the baby monitor produce a high-pitched noise?	The parent unit and baby units may be too close to each other. <ul style="list-style-type: none">Move the parent unit away from the baby units until the noise stops; OR Turn down the volume of your parent unit.
Why does the parent unit beep?	The baby units may be out of range. Move the parent unit closer to the baby units (but not less than 3 feet). <p>The parent unit may not have enough charge for the parent unit to perform normally. Charge the battery in the parent unit for up to 11 hours.</p> <p>The temperature of your baby's room may be too high or too low.</p>

The POWER light on the baby unit flashes and the parent unit displays .	If you have accidentally unpaired your baby unit from the parent unit, follow below steps to pair the baby unit. Make sure both parent unit and baby unit are on before pairing. <ol style="list-style-type: none">Press ^{MENU} to enter the main menu. Press ◀ or ▶ to choose , then press ▲ to open the submenu. Press ▼ or ▲ to choose an empty baby unit slot (1, 2, 3 or 4), then press ^{MENU}. The parent unit screen displays . Press PAIR on the side of the baby unit. <ul style="list-style-type: none">The POWER LED light at the front of baby unit flashes quickly when pairing. <p>When pairing is successful, the parent unit screen displays and the POWER light turns on. The view of the newly paired baby unit in SINGLE-CAM mode will be shown on the parent unit. The POWER LED light on the new baby unit remains on.</p> <ul style="list-style-type: none">If pairing fails, the screen displays . Try the pairing process again. Only one baby unit can be paired at a time.
I have accidentally unpaired my baby unit.	When pairing is successful, the parent unit screen displays and the POWER light turns on. The view of the newly paired baby unit in SINGLE-CAM mode will be shown on the parent unit. The POWER LED light on the new baby unit remains on. <ul style="list-style-type: none">If pairing fails, the screen displays . Try the pairing process again. Only one baby unit can be paired at a time.
Why don't I hear a sound/Why can't I hear my baby cry?	The parent unit speaker volume may be too low or off. Press VOL▲ to increase the volume, or use the parent unit menu to change VOX sensitivity level to the highest level (level 5).
Why can't I establish a connection? Why is the connection lost every now and then? Why are there sound interruptions?	The baby units may be out of range. Move the parent unit closer to the baby units (but not less than 3 feet). <p>Other electronic products may cause interference with your baby monitor. Try installing your baby monitor as far away from these electronic devices as possible.</p>

Why don't I hear a sound/Why can't I hear my baby cry?	The parent unit speaker volume may be too low or off. Press VOL▲ to increase the volume, or use the parent unit menu to change VOX sensitivity level to the highest level (level 5).
Why can't I establish a connection? Why is the connection lost every now and then? Why are there sound interruptions?	The baby units may be out of range. Move the parent unit closer to the baby units (but not less than 3 feet). <p>Other electronic products may cause interference with your baby monitor. Try installing your baby monitor as far away from these electronic devices as possible.</p>

Why don't I hear a sound/Why can't I hear my baby cry?	The parent unit speaker volume may be too low or off. Press VOL▲ to increase the volume, or use the parent unit menu to change VOX sensitivity level to the highest level (level 5).
Why can't I establish a connection? Why is the connection lost every now and then? Why are there sound interruptions?	The baby units may be out of range. Move the parent unit closer to the baby units (but not less than 3 feet). <p>Other electronic products may cause interference with your baby monitor. Try installing your baby monitor as far away from these electronic devices as possible.</p>

Champs électromagnétiques (EMF)
Ce produit de VTech est conforme à toutes les normes se rapportant aux champs électromagnétiques (EMF) standard. Si vous le manipulez correctement en suivant les instructions de ce guide, son utilisation sera sécuritaire pendant de nombreuses années, selon les meilleures évidences scientifiques dont nous disposons aujourd'hui.

Limited warranty

What does this limited warranty cover?

The manufacturer of this VTech Product warrants to the holder of a valid proof of purchase (“Consumer” or “you”) that the Product and all accessories provided in the sales package (“Product”) are free from defects in material and workmanship, pursuant to the following terms and conditions, when installed and used normally and in accordance with the Product operating instructions. This limited warranty extends only to the Consumer for Products purchased and used in the United States of America and Canada.

What will VTech do if the Product is not free from defects in materials and workmanship during the limited warranty period (“Materially Defective Product”)?

During the limited warranty period, VTech’s authorized service representative will repair or replace at VTech’s option, without charge, a Materially Defective Product. If we repair the Product, we may use new or refurbished replacement parts. If we choose to replace the Product, we may replace it with a new or refurbished Product of the same or similar design. We will retain defective parts, modules, or equipment. Repair or replacement of the Product, at VTech’s option, is your exclusive remedy. VTech will return the repaired or replacement Products to you in working condition. You should expect the repair or replacement to take approximately 30 days.

How long is the limited warranty period?

The limited warranty period for the Product extends for ONE (1) YEAR from the date of purchase. If VTech repairs or replaces a Materially Defective Product under the terms of this limited warranty, this limited warranty also applies to the repaired or replacement Product for a period of either (a) 90 days from the date the repaired or replacement Product is shipped to you or (b) the time remaining on the original one-year warranty; whichever is longer.

What is not covered by this limited warranty?

This limited warranty does not cover:

- Product that has been subjected to misuse, accident, shipping or other physical damage, improper installation, abnormal operation or handling, neglect, inundation, fire, water or other liquid intrusion; or

- Product that has been damaged due to repair, alteration or modification by anyone other than an authorized service representative of VTech; or

Important safety instructions

When using your equipment, basic safety precautions should always be followed to reduce the risk of fire, electric shock and injury, including the following:

- Follow all warnings and instructions marked on the product.
- Adult setup is required.
- This product is intended as an aid. It is not a substitute for responsible and proper adult supervision and should not be used as such.
- This product is not intended for use as a medical monitor.
- Do not use this product near water. For example, do not use it next to a bath tub, wash bowl, kitchen sink, laundry tub or swimming pool, or in a wet basement or shower.
- CAUTION:** Use only the batteries provided. There may be a risk of explosion if a wrong type of battery is used for the parent unit. Do not dispose of batteries in a fire. They may explode. Dispose of used battery according to the information in **The RBRC® seal**.
- Use only the adapters included with this product. Incorrect adapter polarity or voltage can seriously damage the product. Baby unit power adapter: Output: 6V DC 400mA Parent unit power adapter: Output: 6V DC 400mA.
- The power adapters are intended to be correctly oriented in a vertical or floor mount position. The prongs are not designed to hold the plug in place if it is plugged into a ceiling, under-the-table or cabinet outlet.
- For pluggable equipment, the socket-outlet shall be installed near the equipment and shall be easily accessible.
- Unplug this product from the wall outlet before cleaning. Do not use liquid or aerosol cleaners. Use a damp cloth for cleaning.
- Unplug the power cords before replacing batteries.
- Do not cut off the power adapters to replace them with other plugs, as this causes a hazardous situation.
- Do not allow anything to rest on the power cords. Do not install this product where the cords may be walked on or crimped.
- This product should be operated only from the type of power source indicated on the marking label. If you are not sure of the type of power supply in your home, consult your dealer or local power company.
- Do not overload wall outlets or use an extension cord.
- Do not place this product on an unstable table, shelf, stand or other unstable surfaces.
- This product should not be placed in any area where proper ventilation is not provided. Slots and openings in the back or bottom of this product are provided for ventilation. To protect them from overheating, these openings must not be blocked by placing the product on a soft


surface such as a bed, sofa or rug. This product should never be placed near or over a radiator or heat register.

- Never push objects of any kind into this product through the slots because they may touch dangerous voltage points or create a short circuit. Never spill liquid of any kind on the product.
- To reduce the risk of electric shock, do not disassemble this product, but take it to an authorized service facility. Opening or removing parts of the product other than specified access doors may expose you to dangerous voltages or other risks. Incorrect reassembling can cause electric shock when the product is subsequently used.
- You should test the sound reception every time you turn on the units or move one of the components.
- Periodically examine all components for damage.
- Be aware of possible loss of privacy while using public airwaves. Conversations may be picked up by other nursery monitors, cordless phones, scanners, etc.
- Children should be supervised to ensure that they do not play with the product.
- The product is not intended for use by persons (including children) with reduced physical, sensory or mental capabilities, or lack of experience and knowledge, unless they have been given supervision or instruction concerning use of the appliance by a person responsible for their safety.

SAVE THESE INSTRUCTIONS

Cautions

- Use and store the product at a temperature between 32°F and 104°F.
- Do not expose the product to extreme cold, heat or direct sunlight. Do not put the product close to a heating source.
- Batteries should not be exposed to excessive heat such as bright sunshine or fire.
- Warning**—Strangulation Hazard—Children have STRANGLED in cords. Keep this cord out of the reach of children (more than 3 ft (0.9 m) away). Do not remove this tag.


- Never place the baby unit(s) inside the baby’s crib or playpen. Never cover the baby unit(s) or parent unit with anything such as a towel or a blanket.
- Other electronic products may cause interference with your baby monitor. Try installing your baby monitor as far away from these electronic devices as possible: wireless routers, radios, cellular telephones, intercoms, room monitors, televisions, personal computers, kitchen appliances and cordless telephones.

Why don't I hear a sound/Why can't I hear my baby cry?	The parent unit speaker volume may be too low or off. Press VOL▲ to increase the volume, or use the parent unit menu to change VOX sensitivity level to the highest level (level 5).
Why can't I establish a connection? Why is the connection lost every now and then? Why are there sound interruptions?	The baby units may be out of range. Move the parent unit closer to the baby units (but not less than 3 feet). <p>Other electronic products may cause interference with your baby monitor. Try installing your baby monitor as far away from these electronic devices as possible.</p>

Why don't I hear a sound/Why can't I hear my baby cry?	The parent unit speaker volume may be too low or off. Press VOL▲ to increase the volume, or use the parent unit menu to change VOX sensitivity level to the highest level (level 5).
Why can't I establish a connection? Why is the connection lost every now and then? Why are there sound interruptions?	The baby units may be out of range. Move the parent unit closer to the baby units (but not less than 3 feet). <p>Other electronic products may cause interference with your baby monitor. Try installing your baby monitor as far away from these electronic devices as possible.</p>

Champs électromagnétiques (EMF)
Ce produit de VTech est conforme à toutes les normes se rapportant aux champs électromagnétiques (EMF) standard. Si vous le manipulez correctement en suivant les instructions de ce guide, son utilisation sera sécuritaire pendant de nombreuses années, selon les meilleures évidences scientifiques dont nous disposons aujourd'hui.

Limited warranty

What does this limited warranty cover?

The manufacturer of this VTech Product warrants to the holder of a valid proof of purchase (“Consumer” or “you”) that the Product and all accessories provided in the sales package (“Product”) are free from defects in material and workmanship, pursuant to the following terms and conditions, when installed and used normally and in accordance with the Product operating instructions. This limited warranty extends only to the Consumer for Products purchased and used in the United States of America and Canada.

What will VTech do if the Product is not free from defects in materials and workmanship during the limited warranty period (“Materially Defective Product”)?

During the limited warranty period, VTech’s authorized service representative will repair or replace at VTech’s option, without charge, a Materially Defective Product. If we repair the Product, we may use new or refurbished replacement parts. If we choose to replace the Product, we may replace it with a new or refurbished Product of the same or similar design. We will retain defective parts, modules, or equipment. Repair or replacement of the Product, at VTech’s option, is your exclusive remedy. VTech will return the repaired or replacement Products to you in working condition. You should expect the repair or replacement to take approximately 30 days.

How long is the limited warranty period?

The limited warranty period for the Product extends for ONE (1) YEAR from the date of purchase. If VTech repairs or replaces a Materially Defective Product under the terms of this limited warranty, this limited warranty also applies to the repaired or replacement Product for a period of either (a) 90 days from the date the repaired or replacement Product is shipped to you or (b) the time remaining on the original one-year warranty; whichever is longer.

What is not covered by this limited warranty?

This limited warranty does not cover:

- Product that has been subjected to misuse, accident, shipping or other physical damage, improper installation, abnormal operation or handling, neglect, inundation, fire, water or other liquid intrusion; or

- Product that has been damaged due to repair, alteration or modification by anyone other than an authorized service representative of VTech; or

Precautions for users of implanted cardiac pacemakers

Cardiac pacemakers (applies only to digital cordless devices):

Wireless Technology Research, LLC (WTR), an independent research entity, led a multidisciplinary evaluation of the interference between portable wireless devices and implanted cardiac pacemakers. Supported by the U.S. Food and Drug Administration, WTR recommends to physicians that:

Pacemaker patients

- Should keep wireless devices at least six inches from the pacemaker.
- Should NOT place wireless devices directly over the pacemaker, such as in a breast pocket, when it is turned ON.

WTR’s evaluation did not identify any risk to bystanders with pacemakers from other persons using wireless devices.

Electromagnetic fields (EMF)

This VTech product complies with all standards regarding electromagnetic fields (EMF). If handled properly and according to the instructions in this user’s manual, the product is safe to be used based on scientific evidence available today.

The RBRC® seal

The RBRC® seal on the Ni-MH battery indicates that VTech Communications, Inc. is voluntarily participating in an industry program to collect and recycle these batteries at the end of their useful lives, when taken out of service within the United States and Canada.

The RBRC® program provides a convenient alternative to placing used Ni-MH batteries into the trash or municipal waste, which may be illegal in your area.

VTech’s participation in RBRC® makes it easy for you to drop off the spent battery at local retailers participating in the RBRC® program or at authorized VTech product service centers. Please call **1 (800) 8 BATTERY®** for information on Ni-MH battery recycling and disposal bans/restrictions in your area. VTech’s involvement in this program is part of its commitment to protecting our environment and conserving natural resources.



RBRC® and 1 (800) 8 BATTERY®

are registered trademarks of the Rechargeable Battery Recycling Corporation.

FCC and IC regulations

FCC Part 15

This equipment has been tested and found to comply with the requirements for a Class B digital device under Part 15 of the Federal Communications Commission (FCC) rules. These requirements are intended to provide reasonable protection against harmful interference in a residential installation. This equipment generates, uses and can radiate radio frequency energy and, if not installed and used in accordance with the instructions, may cause harmful interference to radio communications. However, there is no guarantee that interference will not occur in a particular installation. If this equipment does cause harmful interference to radio or television reception, which can be determined by turning the equipment off and on, the user is encouraged to try to correct the interference by one or more of the following measures:

- Reorient or relocate the receiving antenna.
- Increase the separation between the equipment and receiver.
- Connect the equipment into an outlet on a circuit different from that to which the receiver is connected.
- Consult the dealer or an experienced radio/TV technician for help.

WARNING: Changes or modifications to this equipment not expressly approved by the party responsible for compliance could void the user’s authority to operate the equipment.

This device complies with Part 15 of the FCC rules. Operation is subject to the following two conditions: (1) this device may not cause harmful interference, and (2) this device must accept any interference received, including interference that may cause undesired operation.

To ensure safety of users, the FCC has established criteria for the amount of radio frequency energy that can be safely absorbed by a user or bystander according to the intended usage of the product. This product has been tested and found to comply with the FCC criteria. Caution: This Transmitter must be installed to provide a separation distance of at least 20cm from all persons. The transmitter and antenna of the parent unit shall be held at least 1 in (2.5 cm) from your face.

This Class B digital apparatus complies with Canadian requirement: CAN ICES-3 (B)/NMB-3(B)

Industry Canada

This device complies with Industry Canada licence-exempt RSS standard(s).

Operation is subject to the following two conditions: (1) this device may not cause harmful interference, and (2) this device must accept any interference, including interference that may cause undesired operation.

The term "IC:" before the certification/registration number only signifies that the Industry Canada technical specifications were met.

This product meets the applicable Industry Canada technical specifications.

FCC RF radiation exposure statement

Caution: This Transmitter must be installed to provide a separation distance of at least 20cm from all persons. Use of other accessories may not ensure compliance with FCC RF exposure guidelines. This transmitter must not be co-located or operating in conjunction with any other antenna or transmitter. This equipment complies also with Industry Canada RSS-102 with respect to Canada’s Health Code 6 for Exposure of Humans to RF Fields.

California Energy Commission battery charging testing mode

This baby monitor meets the California Energy Commission (CEC) regulations for energy consumption. Your baby monitor is set up to comply with the energy-conserving standards right out of the box.

Follow the instructions to install and charge the battery. The CEC battery charging testing mode is activated