

FCC ID:2AONI-PRO-VTI01

# PROVVTi

INSTRUCTION MANUAL

### **Thank You For Your Recent Purchase**

At Vaultek™ we stand behind our product and you our customer. On behalf of the entire team thank you for your purchase. We believe personal defense should be handled seriously and we're excited for you to experience the ultimate performance in smart-security.

STAY SAFE. **VAULTEK™ SAFE.**

## Table of Contents

<b>Product Overview</b> .....	<b>01 / 02</b>
<b>Introduction / Warnings</b> .....	<b>03 / 04</b>
<b>Battery Operation / Battery Maintenance</b> .....	<b>05 / 07</b>
Battery Installation .....	05
Charging the Battery .....	06
<b>Master Code Programming</b> .....	<b>08</b>
<b>Smart Align Biometric Programming</b> .....	<b>09 / 12</b>
Helpful Programming TIPS .....	09
Programming 1st and 2nd Fingerprints .....	10
Programming Additional Fingerprints .....	11
Deleting Fingerprints .....	12
<b>Remote Key Fob Operation / Warnings</b> .....	<b>13 / 16</b>
Remote Key Fob Pairing .....	13
Toggle Key Fob Access Modes .....	14
To Unpair Remote Key Fob .....	14
Multiple Safe Management .....	15
<b>Hot Keys</b> .....	<b>16 / 18</b>
Tamper Detection .....	16
Toggle Stealth Mode .....	16
Toggle Travel Mode .....	17
View Battery Status .....	17
Delete Fingerprints .....	17
Toggle Interior Light .....	17

Toggle Bluetooth .....	18
Toggle Key Fob Modes .....	18
Toggle DMT Sensitivity .....	18
Toggle Dual Entry Mode .....	18
<b>Vaultek™ App / App Features</b> .....	<b>19 / 20</b>
<b>Securing Your Safe</b> .....	<b>21</b>
<b>Product Registration</b> .....	<b>22</b>
<b>FAQ</b> .....	<b>23 / 24</b>
<b>Troubleshooting</b> .....	<b>25 / 26</b>
<b>Customer Support / Warranty</b> .....	<b>27</b>

## Box Contents

<b>Vaultek™ Pro VTi Safe</b>	<b>High Strength Steel Security Cable</b>
<b>Remote Key Fob and Battery</b>	<b>Hardware Mounting Kit</b>
<b>AC Power Adapter</b>	<b>Owner's Manual / Quick Start Guide</b>
<b>Micro-USB Charging Cable</b>	<b>Backup Keys (2)</b>

## Tutorial Videos

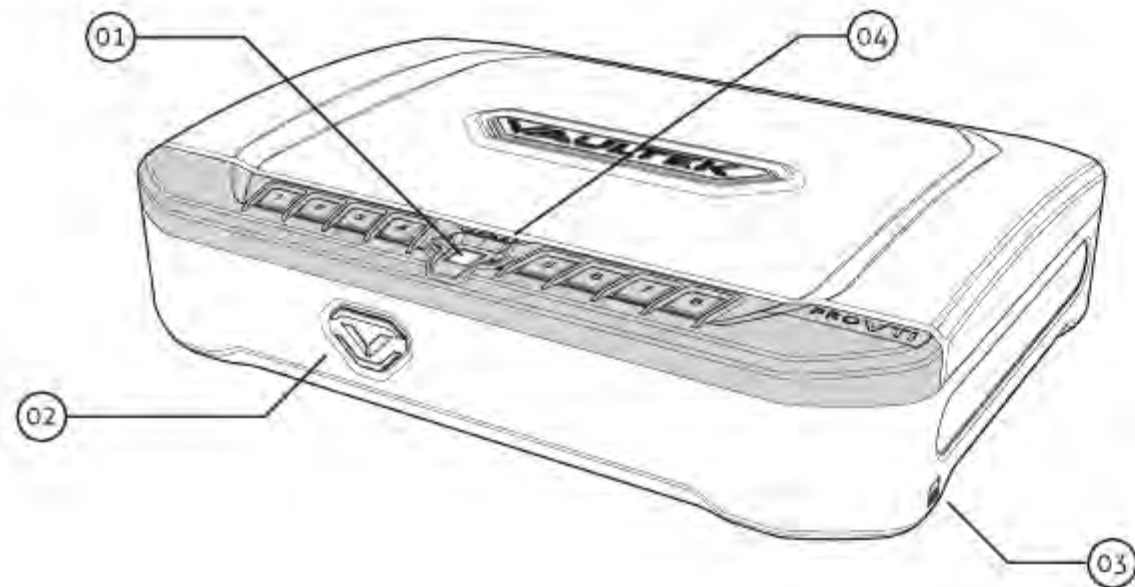
Listed below are some of the various tutorials available at [vaulteksafe.com](http://vaulteksafe.com).

**Installing Your Battery**  
**How to Register Your Safe**  
**Change Your Master Pin Code**  
**How to Program Your Fingerprint**

**Overview of the Bluetooth App**  
**How to Anchor Your Safe**  
**Hot Keys Available**  
**+ More videos online.**

## Product Overview

Get to know your Vaultek™ safe.

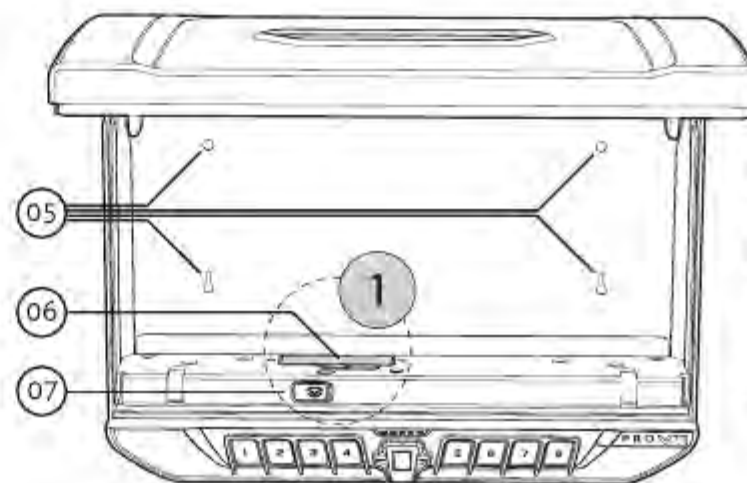


01. Smart Align Biometric Scanner

02. Silicone Key Hole Cover

03. Micro-USB Charging Port

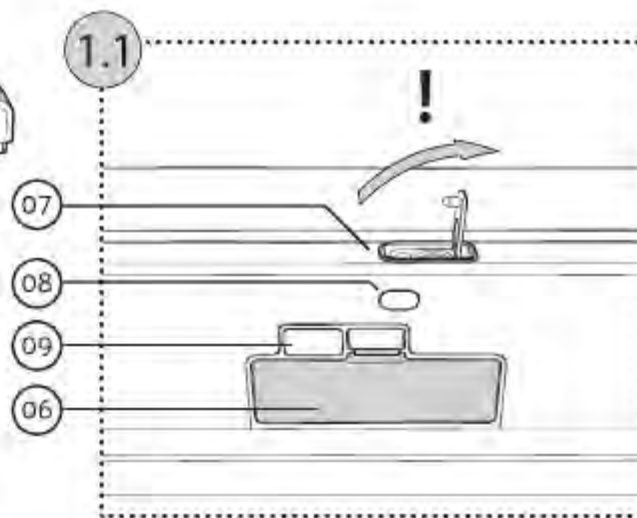
04. LED Status Bar



05. Pre-Drilled Mounting Holes

06. Battery Compartment Door

07. PROGRAM Button (Located Beneath Protective Cover)



08. LED Light Button

09. LED Light

## Vaultek™ App!

The Vaultek™ app is available for Android and iOS devices. The app allows you to remotely unlock safe, check battery level, toggle sound ON/OFF, adjust the interior light, name fingerprint IDs, plus much more. See pages 19 to 20 for more information.

## Introduction

The Vaultek™ Pro VTi is a biometric, PIN access / Bluetooth access safe. Its solid structure and penetration resistant design makes it ideal for storing valuables such as firearms, jewelry, cash, and other personal items. Powered by a rechargeable lithium-ion battery, the safe combines high security with complete access control.

**Secure Access:** How to open your Vaultek™ Safe.

**Smart Align Biometric Scanner:** Personalized access for up to 20 unique fingerprint. See pages 09 to 12 for more information.

**Keypad:** The numeric keypad responds quickly for rapid access and has a built-in proximity sensor that lights up when your hand brushes against the safe. See page 08 for more information.

**Key Fob:** Remote for on demand access. See page 13 and 16 for more information.

**Vaultek™ App:** Open the safe with the Bluetooth app. See pages 19 and 20 for more information.

**Key:** Two keys are provided for manual access to the safe in the event the battery dies.

**Secure Defense:** How your Vaultek™ Safe keeps people out.

**Anti-Impact Latches:** Built to withstand forceful impacts and heavy slams.

**Unibody Construction:** Our unibody design is extremely strong without welds or weak points.

**No External Access Points:** A combination of interior mounted hinges and anti-pry reinforcement bars help prevent unwanted tools from attempting to break the safe open.

**Security Sleep Mode:** Activates when six (6) consecutive incorrect keypad entries are entered and does not accept any entries for four minutes. A backup key or programmed fingerprint may be used to open the safe.

**DMT (Dynamic Motion Tracking):** Motion activated alarm can be disabled or enabled with three levels of sensitivity (Low, Medium, and High) using the Vaultek™ app or hot key functions. See page 18 for information.

## Warnings

To prevent damage to your Vaultek™ unit or injury to yourself or to others, read the following safety precautions before using this unit.

**DO NOT PLACE OR STORE THE BACKUP KEYS INSIDE THE SAFE AT ANY TIME. IF THE BATTERY FAILS, YOU WILL BE UNABLE TO OPEN THE SAFE.**

**DO NOT** get the fingerprint sensor area wet.

**DO NOT** expose to extreme heat or cold. Battery power may be affected.

**ALWAYS** check to make sure door has latched when closing; **lid requires a firm press and locks automatically.**

**DO NOT** store **loaded** guns in this unit.

### DISCLAIMERS

NEITHER SELLER NOR MANUFACTURER SHALL BE LIABLE FOR ANY INJURY, LOSS OR DAMAGE, DIRECT OR CONSEQUENTIAL, ARISING OUT OF THE USE OF, OR THE INABILITY TO USE THE VAULTEK™ SAFE.

THE USER SHALL DETERMINE THE SUITABILITY OF THE VAULTEK™ SAFE BEFORE THE INTENDED USE AND USER ASSUMES ALL RISK AND LIABILITY WHATSOEVER IN CONNECTION THEREWITH.

**IMPORTANT** Check page 16 for remote key fob warnings.

**TUTORIALS ONLINE AT VAULTEKSAFE.COM**



## Battery Operation

Your safe uses a 3.7V 18650 rechargeable lithium-ion with a flat top. A minimum 2000 mAh capacity is required, however 2200 mAh or higher can be used to increase operation time.

### Battery Installation

- 1 To get started, insert one of your backup keys into the keyhole at the front of the safe (see Figure A). Push key in and rotate the key 90 degrees clockwise to open the safe.
- 2 Remove the interior padding. Locate the battery compartment door on the inside of the safe directly behind the '4' key on the keypad (see Figure B).
- 3 Remove the battery cover by pressing down on the tab near the top of the cover.
- 4 Insert the 18650 rechargeable lithium-ion battery (included in accessory box) into the battery compartment. Note that your Vaultek™ safe automatically detects the polarity of the battery and can be installed in either direction.
- 5 When the battery is inserted you will hear a short welcome tone and the keypad will light up.
- 6 Once you hear the tone and see the keypad light up, replace the battery cover. You are now ready to program your safe.

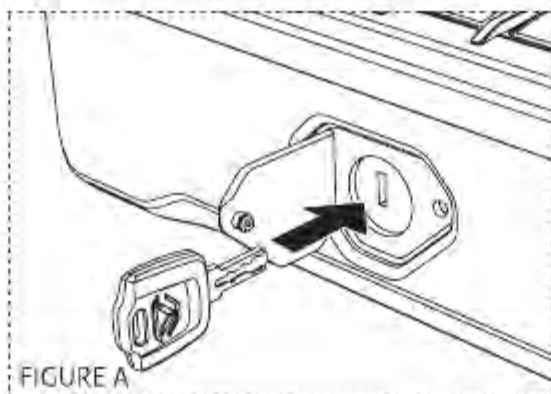


FIGURE A

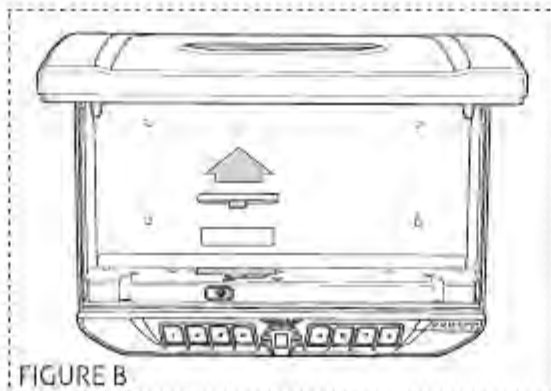


FIGURE B

#### IMPORTANT

Your Vaultek™ safe will automatically lock when you fully close the lid.

Continue on next page for more information about the battery.

### Charging the Battery

Your Vaultek™ safe is powered by a rechargeable lithium-ion battery and comes with a charging kit which includes an AC power adapter (suitable for 120 volt power outlets) and a micro-USB cable. Safe and micro-USB cable can be used with all international power adapters.

Under normal usage, a fully charged battery can last at least 3 months. To recharge the safe, plug the micro-USB cable into the micro-USB receiving jack located on the lower right side of the safe (Figure C) and connect to a standard USB port or wall outlet using the AC power adapter. Approximate recharge time is 2.5 hours. During recharging, the white LEDs above the micro-USB jack (Figure C) indicate the battery capacity as below:

- 4 lights glow: Fully recharged
- 3 lights glow, 1 light blinks: 80%-100%
- 2 lights glow, 1 light blinks: 60%-80%
- 1 light glows, 1 light blinks: 40%-60%
- 1 light blinks, less than 20%

The charging kit can also function as an external power supply, which means you can open your safe when the battery is depleted.

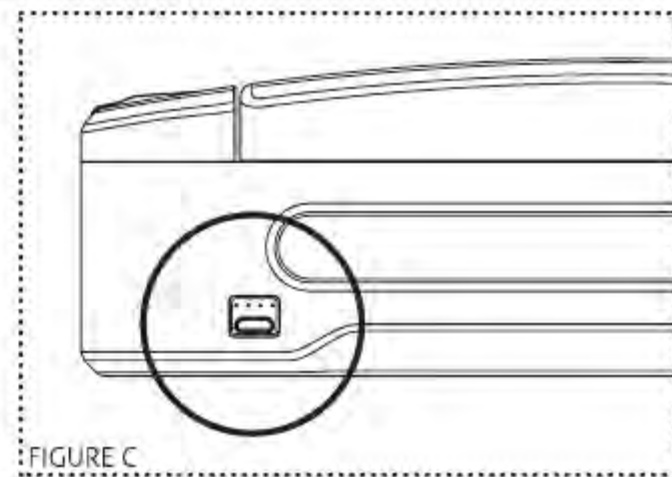


FIGURE C

#### IMPORTANT

After installing the battery, use the charging kit provided to charge the unit 100%.

Leaving your safe plugged in continually will **not** harm the safe or battery.

TUTORIALS ONLINE AT [VAULTEKSAFE.COM](http://VAULTEKSAFE.COM)

## Battery Maintenance

### Testing the Battery Power

To check the battery level, press and hold the '6' and '8' key together on the keypad for 3 seconds. The status bar from left to right will glow GREEN or RED to indicate the battery level:

Remaining Battery Capacity Level  
If 5 LEDs glow green: 80%-100%  
If 4 LEDs glow green: 60%-80%  
If 3 LEDs glow green: 40%-60%  
If 2 LED glows green: 20%-40%  
If 1 LED glows red: 2%-20%  
If 1 LED blinks red: less than 2%

### Low Battery

If the first LED on the status bar blinks RED several times and you hear several rapid beeps when opening the safe, your battery level is critically low and your safe needs to be charged immediately.

### TIP

In the event the battery dies or a soft reset is performed (battery removal and installation) the safe will restore default settings for DMT, interior light, sound, and the remote key fob. These settings will need to be readjusted, however fingerprint IDs and master code will not be affected.

### IMPORTANT

Replace the battery when one or more of the following occurs: A) all four of the white LEDs above the micro-USB jack are blinking or B) it takes more than 4 hours to recharge the battery.

Use a 3.7V 18650 rechargeable lithium-ion battery with a flat top. A minimum 2000 mAh capacity is required, however 2200 mAh or higher can be used to increase operation time.

The adapter used to charge the battery should output 5V/2000mA or above when using micro-USB.

**TUTORIALS ONLINE AT VAULTEKSAFE.COM**

## Master Code Programming

First time users should change the default code as soon as possible to prevent unauthorized access to your safe. You will also use this master code to pair the Vaultek™ app on your smartphone, so it should be kept confidential.

### TIP: Code Requirements

- Your code can be a minimum of 4 and a maximum of 8 keypad entries.
- Two keys cannot be pressed simultaneously.
- Programming a new code will overwrite your previous code.

- 1 Enter default code 1-2-3-4 on the keypad to open the safe.
- 2 With the safe open, press and hold the '1' key then the "PROGRAM" button together (3 seconds)(Figure D) until all status bar LEDs turn RED and let go.
- 3 Enter your NEW master code.
- 4 Press and hold the '1' key then the "PROGRAM" button together again (3 seconds) until all status bar LEDs turn RED and let go.
- 5 Enter your NEW master code a second time.
- 6 Press and hold the '1' key then the "PROGRAM" button together a third time (3 seconds) until the safe beeps and all status bar LEDs turn GREEN and let go. This tone confirms that the master code has been reset.

If you make a mistake and the new code will not work, simply start over with step 2.

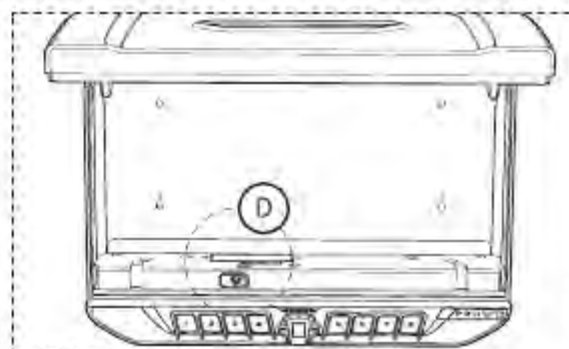
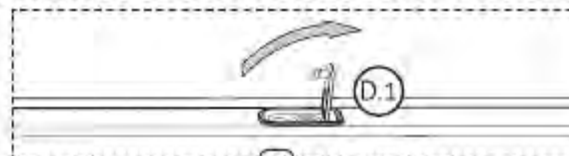


FIGURE D



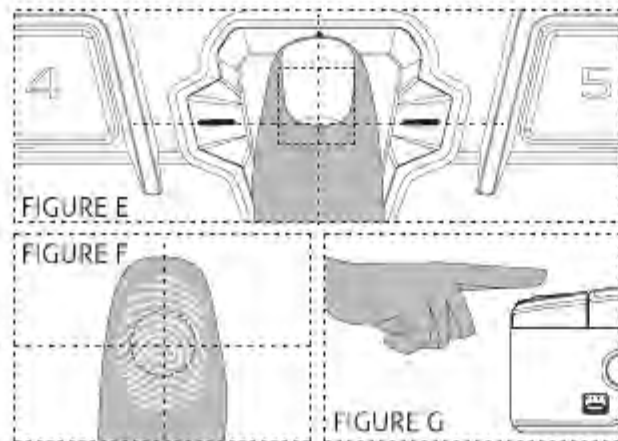
## Smart Align Biometric Programming

Biometrics are methods of authenticating the identity of a person based on physical or behavioral characteristics. Biometric fingerprint authentication refers to technology that measures and analyzes human physical characteristics for identification and authentication purposes. The smart align biometric system guides your finger placement for consistent and accurate results.

Everyone has their own unique fingerprints, and what makes them unique is the pattern of ridges, valleys, and minutiae points that comprise an individual print. Vaultek™ and their leading engineering group has developed proprietary technology to read and match fingerprints with unmatched speed and accuracy. That means that only authorized users have access to your valuables. The safe is capable of storing fingerprint data for up to 20 unique authorized users. A user consists of 5 scans of the same finger during registration. Once a user's fingerprint data is stored in the safe and encrypted, it cannot be copied or stolen.

### Helpful Programming TIPS

- Place cuticle of finger over center of scanner in line with side LEDs (this allows the scanner to read where most of the fingerprint detail is located) see (Figure E + F).
- Adjust your finger slightly between scans for increased accuracy.
- Excessive moisture, lotions, or dirt will affect your fingerprint and may cause inaccurate sensor reading.
- If you are experiencing difficulty try different fingers. Each finger is unique and some fingers, such as your thumb, contain more readable information than others.
- To increase success rate register the same finger multiple times.



**ATTENTION!** (FIGURE G)

Position your finger flat against the scanner to increase the amount of readable information.

Continue on next page for more information about the fingerprint scanner.

## Programming the 1st and 2nd Fingerprints

The 1st and 2nd fingerprints will be recognized as administrative fingerprints and will be used to authorize additional users.

- 1 Open the safe. Program 1st fingerprint by pressing and holding the '2' key then the "PROGRAM" button together (3 seconds)(Figure H) until the first LED on the status bar located above the fingerprint sensor (Figure I) blinks RED.
- 2 Using the helpful programming tips provided on page 09 place your finger on the fingerprint scanner for the first of 5 scans. When the safe beeps and the first status bar LED lights up GREEN remove your finger. If the status bar LED turns RED then remove your finger and reposition the finger on the fingerprint scanner.
- 3 Place finger again over the scanner until the safe beeps and the second status LED lights up GREEN and lift. You will repeat this process until all status bars (1-5) are solid GREEN.
- 4 Close lid and test to see if the safe will open using your fingerprint. If you experience issues refer to the helpful programming tips listed on page 09 or check our tutorials online at [vaulteksafe.com](http://vaulteksafe.com) under Support/Tutorials.
- 5 Repeat steps 1 through 4 to add the 2nd administrative fingerprint.



FIGURE H

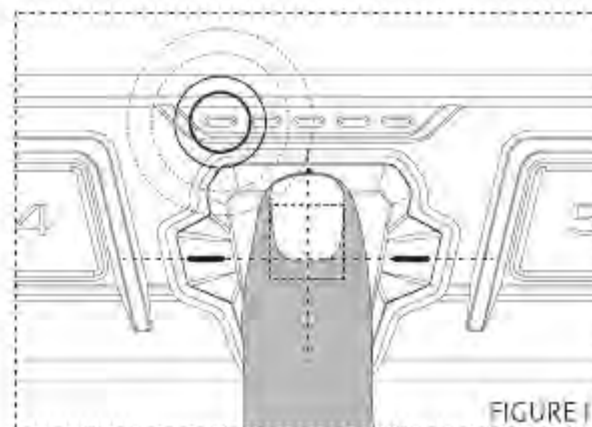


FIGURE I



## Programming Additional Fingerprints

The first two fingerprints programmed into the safe are the administrative fingerprints. Any additional users programmed require authorization from one of these fingerprints.

- 1 Open the safe. Program additional fingerprints by pressing and holding the '2' then "PROGRAM" button together (3 seconds)(Figure H on page 10). The entire status bar will blink RED prompting you to scan one of the administrative fingerprints.
- 2 Place one of the first two programmed administrative fingerprints on the scanner and remove when the safe beeps and the entire status bar blinks GREEN. When the first LED on the status bar starts blinking RED you can program a NEW fingerprint.

TIP: If the administrative print is left on the scanner too long the safe will begin to program that fingerprint into the safe again and not the NEW fingerprint. If this happens start over with step one.

- 3 Using the helpful programming tips provided on page 09 place the NEW finger on the scanner. When the safe beeps and the first LED in the status lights up GREEN remove your finger.
- 4 Place finger again over the scanner until the safe beeps and the second status LED lights up GREEN and lift. You will repeat this process until all status bar LEDs (1-5) are solid GREEN.

## Deleting Fingerprints

Individual fingerprints can not be deleted from the keypad on the safe. Following this procedure will erase all of the fingerprints including both administrative fingerprints. If you wish to delete individual fingerprints, you must use the Vaultek™ app. This procedure will not affect the keypad master code.

Press and hold the '3' key then the "PROGRAM" button together until **all** the status bar LEDs light up RED and let go.

Enter your master code on the keypad. If the code is correct, all the status bar LEDs will blink GREEN and safe will beep indicating deletion of all of the fingerprints.

## Remote Key Fob Operation

Your Vaultek™ safe supports quick access with the included remote key fob. **Take caution when using this feature and be responsible. Security can be compromised in the event the key fob is lost or stolen. Only pair the key fob after thoroughly understanding the inherent risks.**

### IMPORTANT

Before you can pair the key fob to your safe connect the pre-installed battery by removing the pull tab from the side of the key fob (Figure J).

### Remote Key Fob Pairing

Note: As a security measure to prevent accidental access, you must press both sides of the fob simultaneously to activate referred to as a dual press. This dual press is required for the pairing process as well as anytime the key fob is used to open the safe. Following this procedure will pair the key fob to your safe.

- 1 Press and hold the '5' key then "PROGRAM" button together (3 seconds) until all status bar LEDs blink GREEN.
- 2 Aim the fob toward the safe and press both sides of the fob together (Figure K). If all the lights on the status bar glow GREEN, the fob is paired successfully; if all lights on the status bar blink RED, the fob failed to pair. In this case, simply start over with step one.

### IMPORTANT

The key fob functions in close proximity to safe and has a short range of approximately 5 feet (Figure K).

After pairing the key fob will be immediately active to test functionality and then turn **off**. Key fob will need to be set to either On Demand or Progressive mode see page 14 for more information.

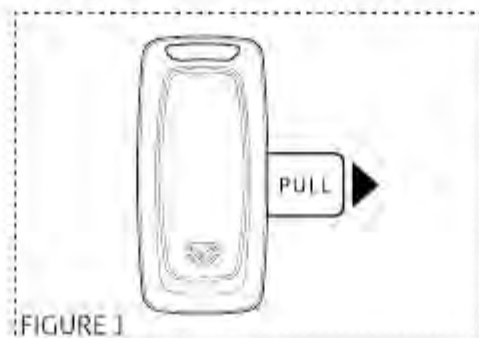


FIGURE J



FIGURE K

Continue on next page for more information about the remote key fob.

### Toggle Key Fob Access Modes

After pairing you can toggle between access modes from the keypad or Bluetooth app. To toggle from the keypad press and hold the '6' key then "PROGRAM" button together. The status bar will communicate as directed below.

**OFF** - Status Bar LEDs Turn Solid RED

**Progressive Entry Mode** - Status Bar LEDs Blink GREEN

Safe goes into sleep mode and will require you to wake up the safe before using key fob. You can wake up the safe by pressing any key or brushing your hand across the keypad of the safe (backlit keys will turn RED).

**On Demand Entry Mode** - Status Bar LEDs Solid GREEN

This mode grants immediate access to your safe without having to wake it up.



Warning: On Demand Entry Mode can open a safe in another room and/or out of sight. To reduce risk of an unattended open safe we recommend using Progressive Entry Mode.

On Demand Entry Mode requires significant power usage and can greatly reduce operation time. We suggest setting the key fob to Progressive Entry Mode to conserve battery.

### To Unpair Remote Key Fob

NOTE: Disabling the remote key fob function from the app or keypad will NOT delete a paired fob from the safe's memory. In the event a key fob is lost or stolen, you can delete the lost fob from the safe's memory by using a couple different methods:

- A Press and hold '5' key then "PROGRAM" button together (3 seconds) until all status bar LEDs blink GREEN. This is the same sequence used when initially pairing. After the status bar LEDs blink GREEN for 6 seconds the safe will delete a paired key fob from memory.
- B Anytime a new key fob is paired with the safe, the previous fob will be erased from the safe's memory.

## Remote Key Fob Operation Continued

### Multiple Safe Management

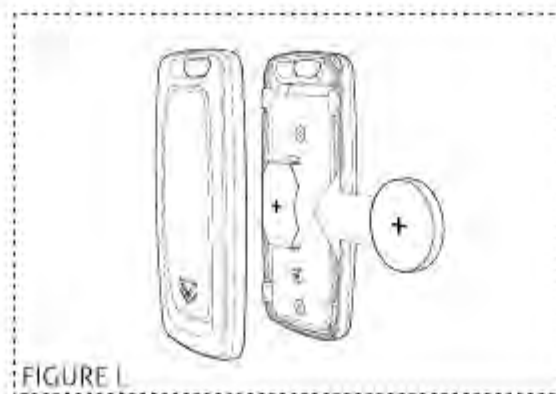
- A Multiple safes can pair with the same key fob but multiple key fobs can not pair with one safe.
- B Recommended setting when using the key fob is Progressive Entry Mode.
- C Additionally you can manage multiple safes through the Vaultek™ app.

**CAUTION** when managing multiple safes in On Demand Entry Mode there is a chance you can open all safes within range.

### Battery Replacement

The pre-installed battery will last approximately two years before requiring replacement. When needed follow the steps below to complete replacement.

- 1 Carefully separate the remote body with a small coin or your hand starting near the top of the remote at the designated coin slot.
- 2 Remove old battery and install a new model CR2032 battery (Figure L).
- 3 Assemble remote back together.



### Key Fob Warnings

**Take caution when using this feature and be responsible. Security can be compromised in the event the key fob is lost or stolen. Only pair the key fob after thoroughly understanding the inherent risks.**

**WARNING** anyone including children can access the safe via key fob.

**ALWAYS** unpair the key fob in the event it is lost or stolen.

**WARNING** On Demand Entry Mode can open a safe in another room and/or out of sight. To reduce risk of an unattended open safe we recommend using Progressive Entry Mode.

**IMPORTANT** On Demand Entry Mode requires significant power usage and can greatly reduce operation time on a single charge. We suggest keeping the safe in Progressive Entry Mode. If using On Demand Entry Mode try keeping the safe plugged in.

### Hot Keys Continued on next page.

#### Tamper Detection

Press and hold '2' and '4'



To check for tampering press and hold keys '2' and '4' together for 3 seconds. The status bar will glow RED to indicate tampering or GREEN to indicate no tampering. You can reset the tamper detection by opening the safe through one of the authorized entry points.

#### Toggle Stealth Mode

Press and hold '1' and '3'



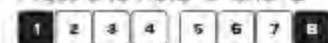
To toggle the sound ON/OFF press and hold keys '1' and '3' together for 3 seconds. If the status bar glows GREEN and beeps, the sound is ON; if the status bar glows RED, the sound is OFF.



## Hot Keys

### Toggle Travel Mode

Press and hold '1' and '8'



Save battery life by disabling the proximity sensor, fingerprint sensor, keypad, status bar, and Bluetooth features. To toggle travel mode ON/OFF press and hold keys '1' and '8' together until the safe beeps and the status bar lights up. If the status bar glows RED and beeps, the safe is disabled; if the status bar glows GREEN and beeps, the safe is operational.

### View Battery Status

Press and hold '6' and '8'



To check the battery level press and hold keys '6' and '8' together for 3 seconds. The status bars will glow GREEN or RED to indicate the battery level. See pages 05 to 07 for more information.

If 5 LEDs glow green: 80%-100%

If 4 LEDs glow green: 60%-80%

If 3 LEDs glow green: 40%-60%

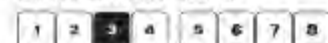
If 2 LEDs glow green: 20%-40%

If 1 LED glows red: 2%-20%

If 1 LED blinks red: less than 2%

### Delete Fingerprints

Press and hold '3' then "PROGRAM" button then enter master code



To delete fingerprints press and hold the '3' key then "PROGRAM" button together until all status bar LEDs light up RED then enter your master code. This will remove all the fingerprints. You can delete individual fingerprints in the Vaultek™ app.

### Toggle Interior Light

Press and hold '5' and '7'



To toggle the interior light ON/OFF press and hold keys '5' and '7' together for 3 seconds. With the light toggled to ON you can press the "LIGHT" button inside the safe to illuminate the light and can also adjust brightness in the app. If the light is toggled OFF the light will be disabled.

### Toggle Bluetooth

Press and hold '4' then "PROGRAM" button



To toggle the Bluetooth ON/OFF press and hold the '4' key then "PROGRAM" button together for 3 seconds. If the status bar glows GREEN Bluetooth is ON. If the status bar glows RED Bluetooth is OFF. If Bluetooth is toggled OFF all app functions will be disabled and your safe is undiscoverable.

### Toggle Key Fob

Modes Press and hold '6' then "PROGRAM" button



The key fob has THREE modes: OFF, Progressive Entry Mode, and On Demand Entry Mode. **OFF** disables remote access. **Progressive Entry Mode** requires that you press one key on the safe keypad first and then activate the key fob. **On Demand Entry Mode** grants immediate access when activating the key fob. Pressing and holding the '6' key then "PROGRAM" button together for 3 seconds will allow you to toggle through each mode from the keypad. You may also alternate modes in the Vaultek™ app.

### Toggle DMT

Sensitivity Press and hold '7' then "PROGRAM" button



Your Vaultek™ safe has a built-in accelerometer and corresponding alarm that alerts of any attacking to your safe including bumps and impacts, **DMT (Dynamic Motion Tracking)**. DMT is enabled by default and its sensitivity has three settings; Low, Medium, and High. You can toggle through these settings by pressing and holding the '7' key then "PROGRAM" button together for 3 seconds. If all FIVE lights on the status bar glow solid GREEN, the High setting is enabled; if FOUR lights on the status bar glow solid GREEN, the Medium setting is enabled; if THREE lights on the status bar glow GREEN, the Low setting is enabled if all lights on the status bar glow RED, DMT is disabled (OFF).

### Toggle Dual Entry Mode

Press and hold '8' then "PROGRAM" button



To toggle the Dual Entry ON/OFF press and hold the '8' key then "PROGRAM" button together for 3 seconds. If the status bar glows GREEN, this features is ON. If the status bar glows RED this features is OFF. If the Dual Entry is toggled ON, you will be required to enter your master code and fingerprint (and vice versa) to open the safe.



## Vaultek™ App

The Vaultek™ app lets you get the most out of your Vaultek™ safe. Using the app gives you access and control over features that are not possible using the keypad interface alone.

### Get the App

Download and install the Vaultek™ app for free from the Google Play Store, or Apple Store.

### IMPORTANT

You must be within Bluetooth range and connected to your Vaultek™ safe before any of the features will function.

### Pattern Lock

The pattern lock is an added layer of protection to safeguard your safe and prevent unauthorized access in the event your phone is misplaced. To create a pattern lock, simply drag your finger along the screen to connect at least 4 circles. This unique pattern will be required when opening the app.

### Pair with Your Vaultek™ Safe

Be sure to pair your safe to your smartphone as soon as possible to sync the systems. Once paired you will gain access to the safes settings to adjust, toggle, and track any changes made to the safe. Note, any changes made prior to the safe connecting to the app will reflect the time stamp from the safes default clock, and may not match your phones clock.

- 1 From the device, make sure Bluetooth is ON and discoverable by other devices.
- 2 **Open the app**, and follow the steps to pair your safe.

## App Features

### Remotely Unlock Safe

While in Bluetooth range you can remotely open the safe.

### Check Battery Level

A battery meter shows the remaining battery power.

### Toggle Sound ON/OFF

You can toggle the system sounds ON/OFF.

### Adjust Interior Light

You can vary the brightness on the internal LED light from 0-100%.

### Manage Fingerprint IDs

Name each fingerprint that is programmed into the safe, and also delete a single fingerprint or all of the fingerprints.

### History Log

Track the time and date changes were made to the safe. Those changes may include when someone unlocked the safe and how they unlocked the safe, any changes to the settings of the safe including brightness, sound, master code changes, any deleted users, and more.

### Toggle DMT Sensitivity

Enabled by default DMT will alert you to any impacts to your safe. Adjust the sensitivity settings of the alarm between Low, Medium, and High or toggle DMT OFF.

### Toggle Key Fob Modes

Alternate between key fob access modes OFF, Progressive Entry Mode, and On Demand Entry Mode.

### Dual Entry Mode

An optional security feature that requires an authorized user to enter either the master code first, then scan a programmed fingerprint or fingerprint first, then master code to open the safe.

**TUTORIALS ONLINE AT VAULTEKSAFE.COM**

## Securing Your Safe

Your Vaultek™ safe can be secured a few different ways. Included is a security cable to attach your safe to larger stationary objects. There are also mounting screws included to mount the safe to a flat surface using the pre-drilled holes on the bottom.

### Using the Security Cable

- 1 Loop the security cable around a secured object.
- 2 Run the end of the cable through the eye of the other end and pull tight around the object.
- 3 Place the end of the security cable inside the fully enclosed quick release cable mount inside your Vaultek™ safe as shown in (Figure M).
- 4 Make sure the safe closes with the cable secured inside the quick release cable mount.

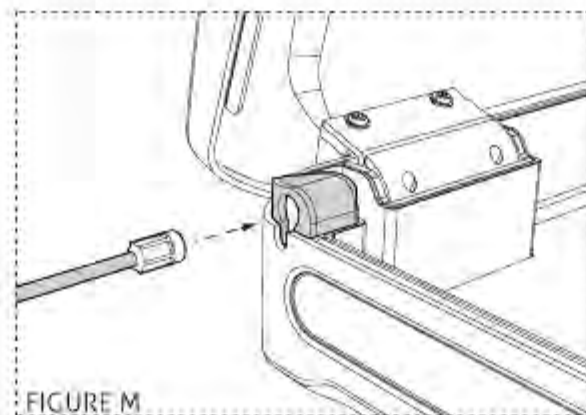


FIGURE M

### Using the Mounting Screws

TIP: Make sure you have enough clearance for the lid to open properly before mounting the safe.

- 1 Position the safe on a flat surface where you want to mount it.
- 2 Use a pencil to mark the holes for drilling.
- 3 Drill pilot holes.
- 4 Position safe in place and install screws through safe into pilot holes. Tighten screws.

#### IMPORTANT

Mounting the safe vertically so that the door flips upward will result in incomplete opening of the safe due to weight. The door will open if the safe is mounted so that the door opens down or to the side.

## Product Registration

Vaultek™ strongly encourages you to register your safe as soon as you receive it. Registration provides many benefits including technical support and ordering replacement keys should you misplace them. Your Vaultek™ safe has a unique product number on the inside of the battery door and a 4-digit ID number engraved on the keys. You will need these numbers to register your safe.

- 1 Locate your product number. It is printed on the first page of this user manual and on the back of the battery door (Figure N/O).
- 2 Find your 4-digit ID number engraved on the keys (Figure P).
- 3 Please visit the Vaultek™ website at [vaulteksafe.com](http://vaulteksafe.com) and click Support then click Registration from the available options.
- 4 Enter the required information in the form and click submit.

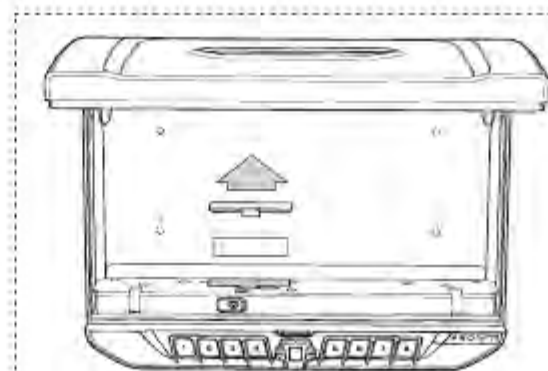


FIGURE N

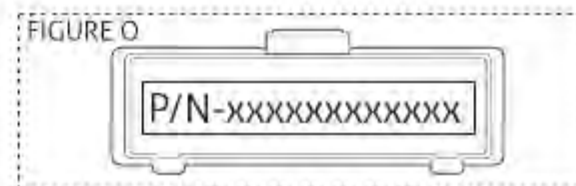


FIGURE O

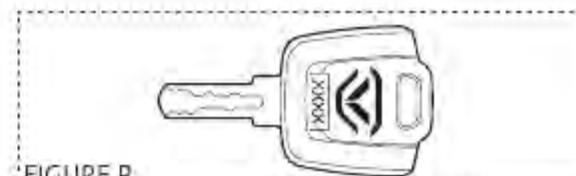


FIGURE P

TUTORIALS ONLINE AT [VAULTEKSAFE.COM](http://VAULTEKSAFE.COM)

## FAQ

### App

**Q: How do I secure the app?**

A: The app has a built in security pattern lock feature to prevent someone from opening your phone and accessing the safe. Refer to page 19 for more information.

### Battery

**Q: Can I keep the safe plugged in at all times?**

A: Leaving your safe plugged in continually will **not** harm the safe or battery. However, to preserve the battery life span for portability we suggest that you unplug occasionally to allow the battery to cycle down.

**Q: What happens to the fingerprints that are stored in my Vaultek™ safe when the battery dies?**

A: The safe retains all fingerprints in the event of battery failure. Once the power is restored by inserting the AC adapter cable, the unit will function as it did before the power loss.

**Q: What type of battery does my Vaultek safe use?**

A: Use a 3.7V 18650 rechargeable lithium-ion battery with a flat top. A minimum 2000 mAh capacity is required, however 2200 mAh or higher can be used to increase operation time. This type battery is commonly available and in the event you do not seek Vaultek™ for a replacement we recommend a brand name like Panasonic.

**Q: Can I use a battery of more than 2000mAh?**

A: Yes, a minimum 2000 mAh capacity is required, however 2200 mAh or higher can be used to increase operation time.

### Fingerprint Scanner

**Q: How do I improve fingerprint success rate?**

A: Refer to page 09 for tips.

TUTORIALS ONLINE AT VAULTEKSAFE.COM

**Q: If I cut my finger, does the fingerprint heal the same as before and will it open my safe?**

A: Usually yes, although if the cut is significant or requires stitches scar tissue may form as a result causing a change in your fingerprint. That is why we recommend enrolling additional user fingerprints and also fingerprints from your other hand.

**Q: Will my Vaultek™ safe scan my finger correctly when my finger/fingerprint is wrinkled after bathing or swimming?**

A: The Vaultek™ safe has been designed to be very sensitive when authenticating and matching fingerprints. The unit will open when your fingerprint has increased moisture from an average shower or swim. However, extreme water retention due to extended time in the water will cause aspects of your fingerprint to change for a short period. If this happens, fingerprint access to your safe may be denied until your fingerprint returns to its normal condition. The keypad and app will not be affected and will still function normally to open the safe.

### Key

**Q: What happens if I lose the keys?**

A: First, make sure you registered your safe in the event you do lose your keys. Contact us at [support@vaulteksafe.com](mailto:support@vaulteksafe.com). Be prepared to provide your order details and product number to us so we can verify ownership.

### Misc.

**Q: Can I travel with my Vaultek™ safe through US Customs or TSA Security at the airport?**

A: Yes, there are no restrictions on carrying this type of item. If transporting firearms make sure to check the safe or include with your checked baggage. Please be aware that you may be asked to open your safe. Rather than pass it through x-ray, and we recommend that an enrolled user be present during the transport of this item in case such a request is made by a government authority.

Don't see your question answered?  
Send us your question to [support@vaulteksafe.com](mailto:support@vaulteksafe.com).

## Troubleshooting

If you experience any issues with your safe, try the following solutions.

### App

**The app history clock data does not match up with my phones clock.**

A: The safe's internal clock will sync with your phone automatically when paired. All previous history, before the sync, will appear from the safe's default clock and may not match your phone's clock.

### Fingerprint Scanner

**Attempted to program but the light above the scanner does not turn on.**

A: Remove the battery and reinstall. This is a soft reset for the safe.

**Fingerprint scanner works sometimes and not others.**

A: We have a few suggestions to help improve the success rate on page 09.

### Keypad

**The keypad is not responding.**

A: Remove the battery and reinstall. This is a soft reset for the safe. See if you are able to open the safe using the default code 1-2-3-4 or even reprogram the safe's master code. If you are still experiencing issues contact us at support@vaulteksafe.com

### Lid

**The lid is not engaging.**

A: The lid requires a firm press. You will feel the latches engage if you press slowly. Feel/listen for the click.

**TUTORIALS ONLINE AT VAULTEKSAFE.COM**

### Lights

**Lights not working.**

A: To toggle the interior light ON/OFF press and hold keys '5' and '7' together for 3 seconds. With the light toggled to ON you can press the "LIGHT" button inside the safe to illuminate the light. If the light does not perform do a soft reset. Remove the battery and reinstall. This is a soft reset for the safe. If you are still experiencing issues contact us at support@vaulteksafe.com.

### Master Pin Code

**Unable to change master pin code.**

A: Refer to page 08 of the user manual or check our tutorials online at vaulteksafe.com under Support/Tutorials.

**Soft Reset:** Remove the battery and reinstall. This is a soft reset for the safe. See page 07 for more details.

**STOP!** Do not return to retailer. If you have any questions about your Vaultek™ safe or need help configuring the system, please contact us at support@vaulteksafe.com.

**TUTORIALS ONLINE AT VAULTEKSAFE.COM**



## Customer Support / Warranty

### Customer Support

If you have a problem with your Vaultek™ safe that is not answered in the FAQ section of this manual, we encourage you to email us: SUPPORT@VAULTEKSAFE.COM.

### Warranty

VAULTEK™ IS COMMITTED TO PROVIDING PRODUCTS OF HIGH QUALITY AND VALUE AND MAKES EVERY EFFORT TO ENSURE ITS PRODUCTS ARE FREE OF DEFECTS.

Vaultek™ guarantees your safe will be free of defects in materials or workmanship for a period of one year from the date of original purchase from an authorized dealer. This warranty does not cover abuse, misuse, use in any manner for which is not designed, neglected, modification, damage, inadvertently caused by the user, accidents, and/or tampering.

If your safe is determined to be defective, we will at our discretion, have it repaired at our expense, or will send you a new one at no cost to you. You will be required to return your existing unit as well as all included parts to Vaultek™ prior to replacement along with your proof of purchase.

If it is determined your safe needs to be returned, a Vaultek™ agent will provide a Return Authorization Number. Please have the following information available when you contact us:

- Purchaser's name, mailing address, email address, and a phone number.
- Copy of receipt
- Authorized Dealer Name
- Detailed description of problem

NEITHER SELLER NOR MANUFACTURER SHALL BE LIABLE FOR ANY INJURY, LOSS OR DAMAGE, DIRECT OR CONSEQUENTIAL, ARISING OUT OF THE USE OF, OR THE INABILITY TO USE THE VAULTEK™ SAFE.

The device has been evaluated to meet general RF exposure requirement, The device can be used in portable exposure condition without restriction

FCC statements:

This device complies with part 15 of the FCC rules. Operation is subject to the following two conditions: (1) this device may not cause harmful interference, and (2) this device must accept any interference received, including interference that may cause undesired operation.

**NOTE:** The manufacturer is not responsible for any radio or TV interference caused by unauthorized modifications or changes to this equipment. Such modifications or changes could void the user's authority to operate the equipment.

**NOTE:** This equipment has been tested and found to comply with the limits for a Class B digital device, pursuant to part 15 of the FCC Rules. These limits are designed to provide reasonable protection against harmful interference in a residential installation. This equipment generates uses and can radiate radio frequency energy and, if not installed and used in accordance with the instructions, may cause harmful interference to radio communications. However, there is no guarantee that interference will not occur in a particular installation. If this equipment does cause harmful interference to radio or television reception, which can be determined by turning the equipment off and on, the user is encouraged to try to correct the interference by one or more of the following measures:

- Reorient or relocate the receiving antenna.
- Increase the separation between the equipment and receiver.
- Connect the equipment into an outlet on a circuit different from that to which the receiver is connected.
- Consult the dealer or an experienced radio/TV technician for help.



**VAULTEK®**

37 North Orange Ave. Suite 800B Orlando, FL 32801

VAULTEKSAFE.COM