

FCC ID:2AONI-VT1020I-VR10



Instruction Manual

VT20 \ VT10



**TUTORIAL VIDEOS ONLINE**

VAULTEKSAFE.COM

## Table of Contents

<b>Introduction / Warnings</b> .....	<b>01 / 02</b>
<b>Battery Installation</b> .....	<b>03</b>
<b>Charging the Battery</b> .....	<b>04</b>
<b>Battery Maintenance</b> .....	<b>05</b>
<b>Master Code Programming</b> .....	<b>06</b>
<b>Product Registration</b> .....	<b>07</b>
<b>Hot Keys</b> .....	<b>08 / 09</b>
Tamper Detection .....	08
Toggle Stealth Mode .....	08
Toggle Travel Mode .....	08
View Battery Status .....	08
Toggle Interior Light ON/OFF .....	09
Toggle Bluetooth ON/OFF .....	09
<b>Vaultek™ App / Features</b> .....	<b>10 / 11</b>
<b>Securing Your Safe</b> .....	<b>12</b>
<b>Customer Support / Warranty</b> .....	<b>13</b>
<b>FAQ</b> .....	<b>14</b>

## Box Contents

**Vaultek™ Safe**  
**18650 Rechargeable Lithium-ion Battery**  
**AC Power Adapter and Micro-USB Charging Cable**  
**High Strength Steel Security Cable**  
**Hardware Mounting Kit**  
**Owner's Manual / Quick Start Guide**  
**Backup Keys (2)**  
**Phillips Head Screwdriver**  
**Spare Battery Cover Screw**

## Vaultek™ App!

The Vaultek™ app is available for Android and iOS devices. The app allows you to remotely unlock safe, check battery level, toggle sound ON/OFF, adjust the interior light, plus much more. See pages 10 to 11 for more information.

## Tutorial Videos

Listed below are some of the various tutorials available at vaulteksafe.com.

**Installing Your Battery**  
**How to Register Your Safe**  
**Change Your Master Pin Code**  
**Overview of the Bluetooth App**

**How to Anchor Your Safe**  
**Hot Keys Available**  
**More videos online.**

## Introduction

The Vaultek™ is a PIN access / Bluetooth access safe. Its solid structure and penetration resistant design makes it ideal for storing valuables such as firearms, jewelry, cash and other personal items. Powered by a rechargeable lithium-ion battery, the safe combines high security with complete access control.

**Secure Access:** How to open your Vaultek™ Safe.

**Keypad:** The numeric keypad responds quickly for rapid access and has a built-in proximity sensor that lights up when your hand brushes against the safe. See page 06 for more information.

**Vaultek™ App:** Open the safe with the Bluetooth app. See pages 10 and 11 for more information.

**Key:** Two keys are provided for manual access to the safe in the event the battery dies.

**Secure Defense:** How your Vaultek™ Safes keeps people out.

**Anti-Impact Latches:** Built to withstand forceful impacts and heavy slams.

**Unibody Construction:** Our unibody design is extremely strong without welds or weak points.

**No External Access Points:** A combination of interior mounted hinges and extended anti-pry reinforcement bars help prevent unwanted tools from attempting to break the safe open.

**Mounting Feature:** Secure your safe to a stationary object via the included high strength steel security cable or via the two pre-drilled mounting holes using the included mounting hardware.

**Security Sleep Mode:** Activates when six (6) consecutive incorrect keypad entries are entered and does not accept any entries for two minutes. If a button is pressed during this mode, all of the numbers will flash RED and the alarm beeps. A backup key or programmed fingerprint may be used to open the safe.

## Warnings

To prevent damage to your Vaultek™ unit or injury to yourself or to others, read the following safety precautions before using this unit.

**DO NOT** PLACE OR STORE THE BACKUP KEYS INSIDE THE SAFE AT ANY TIME. IF THE BATTERY FAILS, YOU WILL BE UNABLE TO OPEN THE SAFE.

**DO NOT** expose to extreme heat or cold. Battery power may be affected.

**ALWAYS** check to make sure door has latched when closing; **lid requires a firm press and locks automatically.**

**DO NOT** store **loaded** guns in this unit.

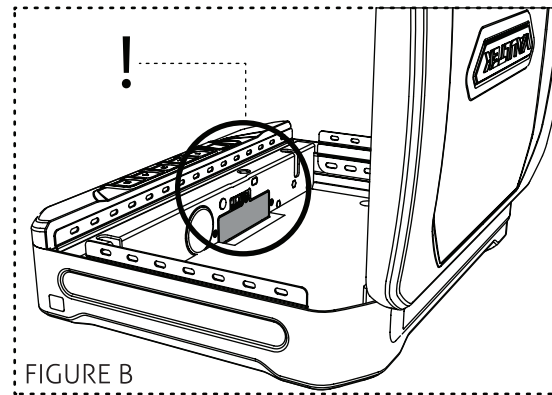
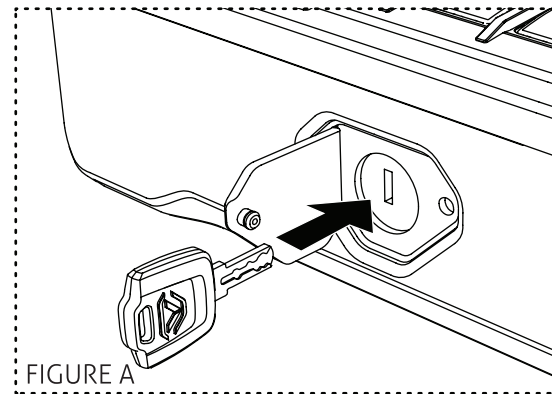
### DISCLAIMERS

NEITHER SELLER NOR MANUFACTURER SHALL BE LIABLE FOR ANY INJURY, LOSS OR DAMAGE, DIRECT OR CONSEQUENTIAL, ARISING OUT OF THE USE OF, OR THE INABILITY TO USE, THE VAULTEK™ SAFE.

THE USER SHALL DETERMINE THE SUITABILITY OF THE VAULTEK™ SAFE BEFORE THE INTENDED USE AND USER ASSUMES ALL RISK AND LIABILITY WHATSOEVER IN CONNECTION THEREWITH.

## Battery Installation

- 1 To get started, insert one of your backup keys into the keyhole at the front of the safe (see Figure A). Push key in and rotate the key 90 degrees clockwise to open the safe.
- 2 Remove crate foam insert. Locate the battery compartment door on the inside of the safe directly behind the '1' key on the keypad (see Figure B).
- 3 Using the phillips screwdriver provided open the battery cover by removing the **single screw** in the top center of the battery cover. A spare screw is located in the mounting hardware container in your accessories box.
- 4 Insert the 18650 rechargeable lithium-ion battery (included in accessory box) into the battery compartment. Note that your Vaultek™ safe automatically detects the polarity of the battery and can be installed in either direction.
- 5 When the battery is inserted you will hear a short welcome tone and the keypad will light up.
- 6 Once you hear the tone and see the keypad light up, replace the battery cover and screw. You are now ready to program your safe.



### IMPORTANT

Your Vaultek™ safe will automatically lock when you fully close the lid.

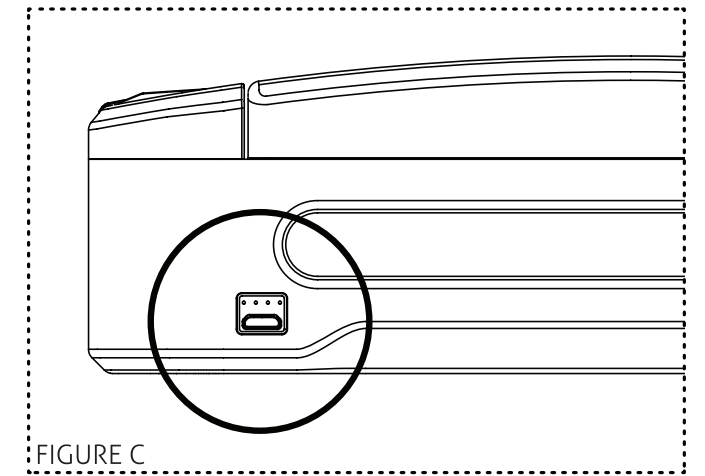
## Charging the Battery

Your Vaultek™ safe is powered by a rechargeable lithium-ion battery and comes with a charging kit which includes an AC power adapter (suitable for 120 volt power outlets) and a micro-USB cable. Safe and micro-USB cable can be used with all international power adapters.

Under normal usage, a fully charged battery can last at least 4 months. To recharge the safe, plug the micro-USB cable into the micro-USB receiving jack located on the lower right side of the safe (Figure C) and connect to a standard USB port or wall outlet using the AC power adapter. Approximate recharge time is 2.5 hours. During recharging, the white LEDs above the micro-USB jack (Figure C) indicate the battery capacity as below:

- 4 lights glow: Fully recharged
- 3 lights glow, 1 light blinks: 80%~100%
- 2 lights glow, 1 light blinks: 60%~80%
- 1 light glows, 1 light blinks: 40%~60%
- 1 light blinks, less than 20%

The charging kit can also function as an external power supply, which means you can open your safe even when the battery is depleted.



### IMPORTANT

After installing the battery, use the charging kit provided to charge the unit 100%.

TUTORIALS ONLINE AT [VAULTEKSAFE.COM](http://VAULTEKSAFE.COM)

## Battery Maintenance

### Testing the Battery Power

To check the battery level, press and hold the '5' button on the keypad (3 seconds). The keys from '1' to '4' will glow GREEN or RED to indicate the battery level:

Remaining Battery Capacity Level

If 4 keys glow green: 80%-100%

If 3 keys glow green: 60%-80%

If 2 keys glow green: 40%-60%

If 1 key glows green: 20%-40%

If 1 key glows red: 2%-20%

If the 1 key blinks red: less than 2%

### Low Battery

If '1' button on the keypad blinks red several times and you hear several rapid beeps when opening the safe, your battery level is critically low and your safe needs to be charged immediately.

### IMPORTANT

Replace the battery with an 18650 rechargeable lithium-ion battery with a minimum 2000 mAh capacity when one or more of the following occurs: A) all four of the white LEDs above the micro-USB jack are blinking or B) it takes more than 4 hours to recharge the battery.

The adapter used to charge the battery should output 5V/1000mA or above the using micro-USB.

**TUTORIALS ONLINE AT [VAULTEKSAFE.COM](http://VAULTEKSAFE.COM)**

## Master Code Programming

First time users should change the default code as soon as possible to prevent unauthorized access to your safe. You will also use this master code to pair the Vaultek™ app on your smartphone, so it should be kept confidential.

### TIP: Code Requirements

- Your code can be a minimum of 4 and a maximum of 8 keypad entries.
- Two keys cannot be pressed simultaneously.
- Programming a new code will overwrite your previous code.

- 1 Enter default code 1-2-3-4-5 on the keypad to open your safe.
- 2 With the safe open, press and hold the "PROGRAM" button (3 seconds) (Figure D) until all keys (1-5) light up RED and let go.
- 3 Enter your NEW master code.
- 4 Press and hold the "PROGRAM" button again (3 seconds) until all keys (1-5) light up RED and let go.
- 5 Enter your NEW master code a second time.
- 6 Press and hold the "PROGRAM" button a third time (3 seconds) until the safe beeps and let go. This tone confirms that the password has been reset.

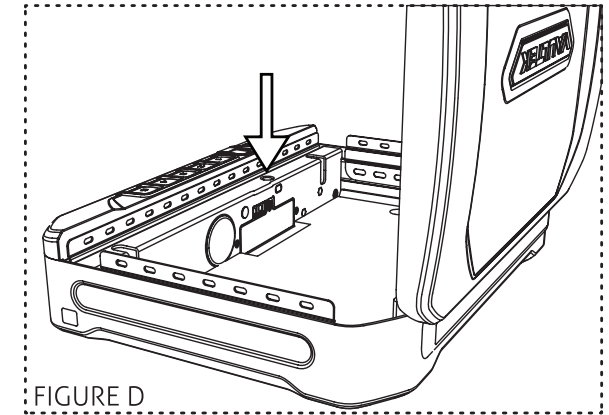


FIGURE D

If you make a mistake and the new code will not work, simply start over with step 2.

## Product Registration

Vaultek™ strongly encourages you to register your safe as soon as you receive it. Registration provides many benefits including technical support and ordering replacement keys should you misplace them. Your Vaultek™ safe has a unique product number on the inside of the battery door and a 4-digit ID number engraved on the keys. You will need these numbers to register your safe.

- 1 Locate your product number. It is printed on the first page of this user manual and on the back of the battery door (Figure E/F).
- 2 Find your 4-digit ID number engraved on the keys (Figure G).
- 3 Please visit the Vaultek™ website at [vaulteksafe.com](http://vaulteksafe.com) and click Support/Product Registration.
- 4 Enter the required information in the form and click submit.

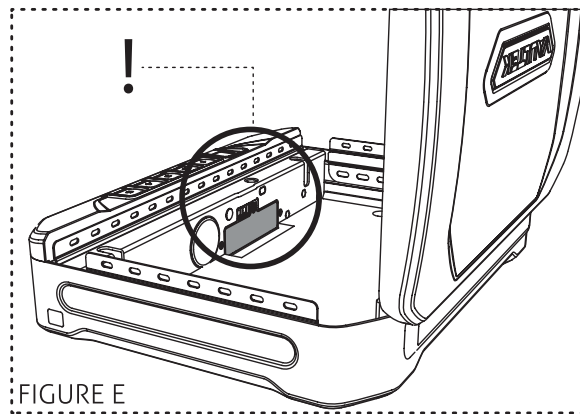


FIGURE E

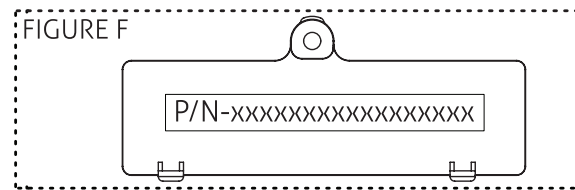


FIGURE F

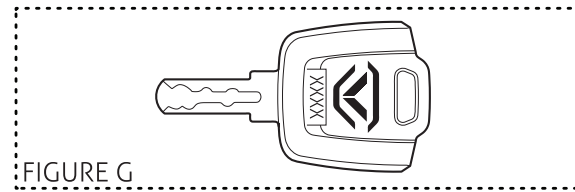


FIGURE G

**TUTORIALS ONLINE AT [VAULTEKSAFE.COM](http://VAULTEKSAFE.COM)**

## Hot Keys



Press and hold '2' and '4'

### Tamper Detection

To check for tampering press and hold keys '2' and '4' at the same time for 3 seconds. The '3' key will glow RED to indicate tampering or GREEN to indicate no tampering. You can reset the tamper detection by entering the master code on the keypad.



Press and hold '1' and '3'

### Toggle Stealth Mode

To toggle the sound ON/OFF press and hold keys '1' and '3' at the same time for 3 seconds. If button '2' glows GREEN, the sound is ON; if button '2' glows RED, the sound is OFF.



Press and hold '1', '3' and '5'

### Toggle Travel Mode

Save battery life by disabling the proximity sensor, fingerprint sensor, keypad, and Bluetooth features. To toggle travel mode ON/OFF press and hold keys '1', '3', and '5' at the same time until safe beeps.



Press and hold '5'

### View Battery Status

To check the battery level press and hold the '5' key on the keypad (3 seconds). Keys from '1' to '4' will glow GREEN or RED to indicate the battery level.

If 4 keys glow green: 80%-100%

If 3 keys glow green: 60%-80%

If 2 keys glow green: 40%-60%

If 1 keys glows green: 20%-40%

If 1 keys glows red: 2%-20%

If 1 key blinks red: less than 2%

More Hot Keys on the next page.



Press and hold '1'

### Toggle Interior Light ON/OFF

To toggle the interior light ON/OFF press and hold the '1' key for 3 seconds. With the light toggled to ON you can press the "LIGHT" button inside the safe to illuminate the light and can also adjust the interior light in the app. If the light is toggled OFF the light will be disabled.



Press and hold '2' and '5' then enter the master code.

### Toggle Bluetooth ON/OFF

To toggle the Bluetooth ON/OFF press and hold keys '2' and '5' at the same time for 3 seconds. If keys '3' and '4' glow GREEN the Bluetooth is ON. If keys '3' and '4' glow RED the Bluetooth is OFF. To toggle, continue pressing keys '2' and '5' until all keys (1-5) light up RED, then input your master code. With the Bluetooth toggled ON you can perform various functions with the app. If the Bluetooth is toggled OFF all app functions will be disabled and your safe is undiscoverable.

**TUTORIALS ONLINE AT [VAULTEKSAFE.COM](http://VAULTEKSAFE.COM)**

## Vaultek™ App

The Vaultek™ app lets you get the most out of your Vaultek™ safe. Using the app gives you access and control over features that are not possible using the keypad interface alone.

### Get the App

Download and install the Vaultek™ app for free from the Google Play Store, or Apple Store.

### IMPORTANT

Create a pattern lock on the Vaultek™ app as soon as possible to prevent unauthorized access to your safe.

You must be within Bluetooth range and connected to your Vaultek™ safe before any of the features will function.

### Pair with Your Vaultek™ Safe

Make sure you connect to the safe as soon as possible to sync the safe's internal clock with your phone. If not any changes, settings, or actions recorded in the history log prior to connecting the app to the safe will show with a time stamp from the safe's default clock, and may not match your phone's clock.

- 1 From your device, make sure Bluetooth is ON and discoverable by other devices.
- 2 Open the app, click search and select your Vaultek™ safe from the device list.
- 3 Enter your master code you previously programmed for the safe to finalize pairing.
- 4 Your safe is now paired and ready to use with the app.

Continue onto next page to add a pattern lock.



## Pattern Lock

- 1 From your device, open the Vaultek™ app and click the drop down menu.
- 2 Select the "Pattern Lock" and toggle ON.
- 3 Create your personal lock code for additional security.

## Features

### Remotely Unlock Safe

While in Bluetooth range you can remotely open the safe.

### Check Battery Level

A battery meter shows the remaining battery power.

### Toggle Sound ON/OFF

You can toggle the system sounds ON/OFF.

### Adjust Interior Light

You can vary the brightness on the internal LED light from 0-100%.

### History Log

Track the time and date changes were made to the safe. Those changes may include when someone unlocked the safe and how they unlocked the safe, any changes to the settings of the safe including brightness, sound, master code changes, any deleted users, and more.

**TUTORIALS ONLINE AT [VAULTEKSAFE.COM](http://VAULTEKSAFE.COM)**

## Securing Your Safe

Your Vaultek™ safe can be secured a few different ways. Included is a security cable to attach your safe to larger stationary objects. There are also mounting screws included to mount the safe to a flat surface using the pre-drilled holes on the bottom.

### Using the Security Cable

- 1 Loop the security cable around a secured object.
- 2 Run the end of the cable through the eye of the other end and pull tight around the object.
- 3 Place the end of the security cable inside the fully enclosed quick release cable mount inside your Vaultek™ safe as shown in (Figure K).
- 4 Make sure the safe closes with the cable secured inside the quick release cable mount.

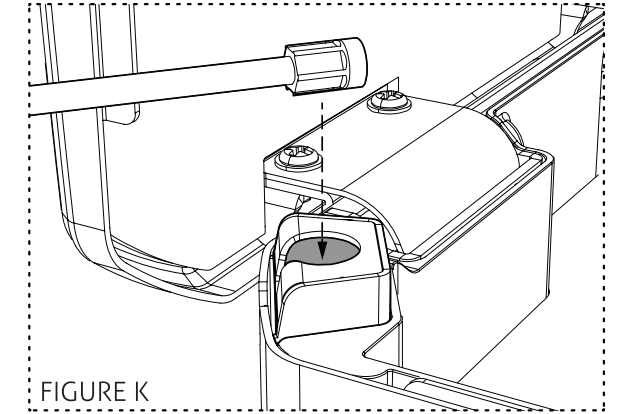


FIGURE K

### Using the Mounting Screws

TIP: Make sure you have enough clearance for the lid to open properly before mounting the safe.

- 1 Position the safe on a flat surface where you want to mount it.
- 2 Use a pencil to mark the holes for drilling.
- 3 Drill pilot holes.
- 4 Position safe in place and install screws through safe into pilot holes. Tighten screws.

### IMPORTANT

Mounting the safe vertically so that the door flips upward will result in incomplete opening of the safe due to weight. The door will open if the safe is mounted vertically so that the door opens down or to the side.

## Customer Support / Warranty

### Customer Support

If you have a problem with your Vaultek™ safe that is not answered in the FAQ section of this manual, we encourage you to email us: [SUPPORT@VAULTEKSAFE.COM](mailto:SUPPORT@VAULTEKSAFE.COM).

### Warranty

VAULTEK™ IS COMMITTED TO PROVIDING PRODUCTS OF HIGH QUALITY AND VALUE AND MAKES EVERY EFFORT TO ENSURE ITS PRODUCTS ARE FREE OF DEFECTS.

Vaultek™ guarantees your safe will be free of defects in materials or workmanship for a period of one year from the date of original purchase from an authorized dealer. This warranty does not cover abuse, misuse, use in any manner for which is not designed, neglected, modification, damage, inadvertently caused by the user, accidents, and/or tampering.

If your safe is determined to be defective, we will at our discretion, have it repaired at our expense, or will send you a new one at no cost to you. You will be required to return your existing unit as well as all included parts to Vaultek™ prior to replacement along with your proof of purchase.

If it is determined your safe needs to be returned, a Vaultek™ agent will provide a Return Authorization Number. Please have the following information available when you contact us:

- Purchaser's name, mailing address, email address, and a phone number.
- Copy of receipt
- Authorized Dealer Name
- Detailed description of problem

NEITHER SELLER NOR MANUFACTURER SHALL BE LIABLE FOR ANY INJURY, LOSS OR DAMAGE, DIRECT OR CONSEQUENTIAL, ARISING OUT OF THE USER OF, OR THE INABILITY TO USE THE VAULTEK™ SAFE.

## FAQ

### Q: What happens to the master code that is stored in my Vaultek™ safe when the battery dies?

A: The safe retains the master code in the event of battery failure. Once the power is restored by inserting the AC adapter cable, the unit will function as it did before the power loss.

### Q: Is my Vaultek™ safe fire proof or water proof?

A: No, the safe is not fire proof nor water proof. This safe has been specifically designed for portable secure access control and convenience.

### Q: What do I do when my safe is unresponsive to the keypad?

A: Your battery is likely dead. Plug in the AC adapter and your safe should recharge the battery and function normally. If your battery has failed, you may need to use the backup key provided with the unit to open and replace the battery.

### Q: What type of battery does my Vaultek™ safe use?

A: The safe uses a Model 18650 rechargeable lithium-ion battery. It is commonly available 3.7V, 2800mAh battery. If replacing, make sure the capacity of the new battery is over 2000mAh.

**STOP!** Do not return to retailer. If you have any questions about your Vaultek™ safe or need help configuring the system, please contact us at [support@vaulteksafe.com](mailto:support@vaulteksafe.com).

### Q: Can I travel with my Vaultek™ safe through US Customs or TSA Security at the airport?

A: Yes, there are no restrictions on carrying this type of item. Please be aware that you may be asked to open your safe. Rather than passing it through x-ray, and we recommend that an enrolled user be present during the transport of this item in case such a request is made by a government authority.

### Q: What is the safe made of?

A: The main housing structures are made of high tensile strength 16-gauge carbon steel with a durable powder coating for corrosion protection.

### Q: Why does the app history log date not match up with my phone?

A: The safe's internal clock will sync with your phone automatically when paired. All previous history, before the sync, will appear from the safe's default clock and may not match your phone's clock.

More FAQ's on [vaulteksafe.com](http://vaulteksafe.com) under Support/FAQ.

## TUTORIALS ONLINE AT VAULTEKSAFE.COM



**VAULTEK®**

37 North Orange Ave. Suite 800B Orlando, FL 32801

[VAULTEKSAFE.COM](http://VAULTEKSAFE.COM)

Federal Communication Commission (FCC) Radiation Exposure Statement

When using the product, maintain a distance of 20cm from the body to ensure compliance with RF exposure requirements.

FCC statements:

This device complies with part 15 of the FCC rules. Operation is subject to the following two conditions: (1) this device may not cause harmful interference, and (2) this device must accept any interference received, including interference that may cause undesired operation.

NOTE: The manufacturer is not responsible for any radio or TV interference caused by unauthorized modifications or changes to this equipment. Such modifications or changes could void the user's authority to operate the equipment.

NOTE: This equipment has been tested and found to comply with the limits for a Class B digital device, pursuant to part 15 of the FCC Rules. These limits are designed to provide reasonable protection against harmful interference in a residential installation. This equipment generates uses and can radiate radio frequency energy and, if not installed and used in accordance with the instructions, may cause harmful interference to radio communications. However, there is no guarantee that interference will not occur in a particular installation. If this equipment does cause harmful interference to radio or television reception, which can be determined by turning the equipment off and on, the user is encouraged to try to correct the interference by one or more of the following measures:

- Reorient or relocate the receiving antenna.
- Increase the separation between the equipment and receiver.
- Connect the equipment into an outlet on a circuit different from that to which the receiver is connected.
- Consult the dealer or an experienced radio/TV technician for help.