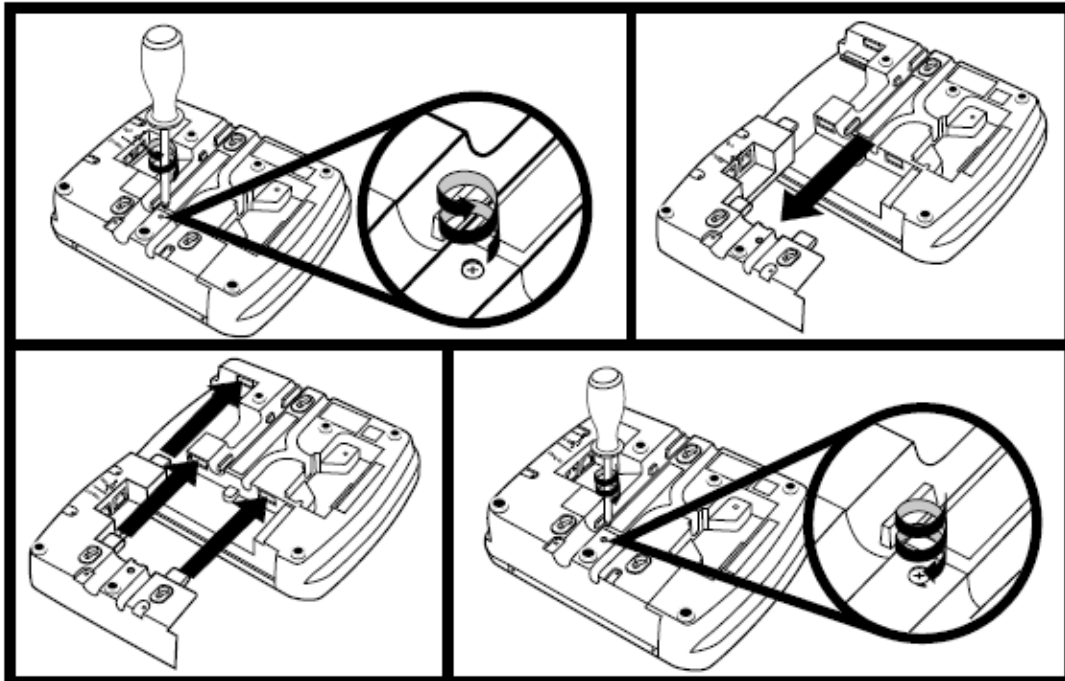


Users manual

Mx800 Series I/O Module
Quick Installation Guide



VeriFone Part Number: 55578 Revision A ©2009 VeriFone, Inc.

Warning:

FCC : Changes or modifications are not expressly approved by the manufacturer could void the user's authority to operate the equipment.

IC : Operation is subject to the following two conditions: (1) this device may not cause interference, and (2) this device must accept any interference, including interference that may cause undesired operation of the device.